

# KJ-2200/ KJ-3100

# RIDGID®

EN	P.	1
FR	P.	19
ES	P.	39
DE	P.	59
NL	P.	81
IT	P.	101
PT	P.	123
SV	P.	143
DA	P.	163
NO	P.	183
FI	P.	203
PL	P.	223
CZ	P.	245
SK	P.	265
RO	P.	285
HU	P.	305
EL	P.	325
HR	P.	347
SL	P.	367
SR	P.	387
RU	P.	407
TR	P.	429



**RIDGE TOOL COMPANY**



# Water Jetter

## KJ-2200/KJ-3100 Water Jetting Machines



KJ-3100



KJ-2200

### **⚠ WARNING!**

Read this Operator's Manual carefully before using this tool. Failure to understand and follow the contents of this manual may result in electrical shock, fire and/or serious personal injury.

#### **KJ-2200/KJ-3100 Water Jetting Machines**

Record Serial Number below and retain product serial number which is located on nameplate.

Serial  
No.

--	--

**Contents**

**Recording Form For Machine Serial Number**..... 1

**Safety Symbols**..... 3

**General Safety Rules** ..... 3

    Work Area Safety..... 3

    Electrical Safety..... 3

    Personal Safety ..... 3

    Tool Use and Care..... 3

    Service ..... 4

**Water Jetter Safety Warnings**..... 4

**Description, Specifications and Standard Equipment** ..... 5

    Description ..... 5

    Specifications ..... 6

    Icons..... 6

    Standard Equipment..... 6

**Machine Assembly** ..... 6

    Engine Oil..... 6

    Pump/Gearbox Oil..... 6

    KJ-2200 Transport Cart..... 6

    KJ-3100 Handle Assembly..... 6

**Pre-Operation Inspection**..... 7

**Machine and Work Area Set-Up** ..... 8

    Water Supply ..... 9

    Drain Preparation ..... 10

    Hose Set-Up ..... 10

    JETTER HOSE SELECTION CHART..... 11

    JETTER NOZZLE SELECTION CHART ..... 11

**Operating Instructions** ..... 12

    Jetting the Drain ..... 13

    Using the Pulse Mode..... 14

    Using Water Jetter Machine as a Pressure Washer ..... 15

    Pressure Washer Operation..... 15

    Detergent Injector..... 15

**Maintenance Instructions** ..... 16

    Cleaning..... 16

    Engine ..... 16

    Pump Lubrication..... 16

    Gearbox Lubrication ..... 16

    Preparing Pump for Cold Weather Storage ..... 16

**Accessories** ..... 16

**Troubleshooting**..... 18

**Machine Storage** ..... 18

**Service And Repair** ..... 18

**Disposal**..... 18

**Lifetime Warranty** ..... Back Cover

\* Original instructions - English



## Safety Symbols

In this operator's manual and on the product, safety symbols and signal words are used to communicate important safety information. This section is provided to improve understanding of these signal words and symbols.



This is the safety alert symbol. It is used to alert you to potential personal injury hazards. Obey all safety messages that follow this symbol to avoid possible injury or death.

### **⚠ DANGER**

DANGER indicates a hazardous situation which, if not avoided, will result in death or serious injury.

### **⚠ WARNING**

WARNING indicates a hazardous situation which, if not avoided, could result in death or serious injury.

### **⚠ CAUTION**

CAUTION indicates a hazardous situation which, if not avoided, could result in minor or moderate injury.

### **NOTICE**

NOTICE indicates information that relates to the protection of property.



This symbol means read the operator's manual carefully before using the equipment to reduce the risk of injury. The operator's manual contains important information on the safe and proper operation of the equipment.



This symbol means always wear safety glasses with side shields or goggles when handling or using this equipment to reduce the risk of eye injury.



This symbol indicates the risk of high pressure water directed at body parts, causing skin puncture and injection injuries.



This symbol indicates the risk of the jetter hose whipping, and causing striking or injection injuries.



This symbol indicates the risk of breathing carbon monoxide and causing nausea, fainting or death.



This symbol indicates the risk of fire and explosion from gasoline or other sources causing burns and other injury.

## General Safety Rules

### **⚠ WARNING**

**Read and understand all instructions. Failure to follow all instructions listed below may result in electric shock, fire, and/or serious injury.**

**SAVE THESE INSTRUCTIONS!**

### Work Area Safety

- **Keep work area clean and well lit.** Cluttered benches and dark areas invite accidents.
- **Do not operate power tools in explosive atmospheres, such as in the presence of flammable liquids, gases, or dust.** Power tools create sparks which may ignite the dust or fumes.
- **Keep bystanders, children, and visitors away while operating a power tool.** Distractions can cause you to lose control.

### Electrical Safety

- **Avoid body contact with grounded surfaces such as pipes, radiators, ranges and refrigerators.** There is an increased risk of electric shock if your body is grounded.

### Personal Safety

- **Stay alert, watch what you are doing and use common sense when operating a power tool. Do not use a tool while you are tired or under the influence of drugs, alcohol or medication.** A moment of inattention while operating power tools may result in serious personal injury.
- **Dress properly. Do not wear loose clothing or jewelry. Contain long hair. Keep your hair, clothing and gloves away from moving parts.** Loose clothes, jewelry or long hair can be caught in moving parts.
- **Do not overreach. Keep proper footing and balance at all times.** Proper footing and balance enables better control of the tool in unexpected situations.
- **Use safety equipment. Always wear eye protection.** Dust mask, non-skid safety shoes, hard hat, or hearing protection must be used for appropriate conditions will reduce personal injuries.

### Tool Use and Care

- **Do not force the tool. Use the correct tool for your application.** The correct tool will do the job better and safer at the rate for which it was designed.

- **Do not use the power tool if the switch does not turn it ON and OFF.** Any tool that cannot be controlled with the switch is dangerous and must be repaired.
- **Store idle tools out of the reach of children and other untrained persons.** Tools are dangerous in the hands of untrained users.
- **Maintain tools with care. Keep cutting tools sharp and clean.** Properly maintained tools with sharp cutting edges are less likely to bind and are easier to control.
- **Check for misalignment or binding of moving parts, breakage of parts and any other condition that may affect the tool's operation. If damaged, have the tool serviced before using.** Many accidents are caused by poorly maintained tools.
- **Use only accessories that are recommended by the manufacturer for your model.** Accessories that may be suitable for one tool, may become hazardous when used on another tool.

**Service**

- **Tool service must be performed only by qualified repair personnel.** Service or maintenance performed by unqualified personnel could result in a risk of injury.
- **When servicing a tool, use only identical replacement parts. Follow instructions in the Maintenance section of this manual.** Use of unauthorized parts or failure to follow Maintenance Instructions may create a risk of electrical shock or injury.

**Water Jetter Safety Warnings**

**⚠ WARNING**

**This section contains important safety information that is specific to this tool.**

**Read these precautions carefully before using this Drain Cleaning Machine to reduce the risk of electrical shock or other serious personal injury.**

**SAVE ALL WARNINGS AND INSTRUCTIONS FOR FUTURE REFERENCE!**

Keep this manual with the machine for use by the operator.

- **Never operate the jetter with the hose end outside of the drain.** Hose can whip, causing striking injuries and spray can penetrate skin and cause serious injury.
- **High pressure water can inject under skin resulting in serious injury including amputation.** Do not direct spray at people or animals.

- **Do not operate jetter above pressure rating or 140°F / 60°C (inlet water temperature).** This increases the risk of injury, including burns, and damage to the jetter.
- **One person must control both the jetting process and the foot valve. Always use the foot valve.** If the jetter hose comes out of the drain, the operator must be able to shut the water flow off to reduce the risk of the jetter hose whipping, causing striking and high pressure injection injuries.
- **Always use appropriate personal protective equipment while handling and using drain cleaning equipment.** Drain may contain chemicals, bacteria and other substances that may be toxic, infectious, cause burns or other issues. Appropriate personal protective equipment always includes safety glasses and gloves, and may also include equipment such as latex or rubber gloves, face shields, goggles, protective clothing, respirators, and steel toed footwear.
- **Practice good hygiene. Use hot soapy water to wash hands and other body parts exposed to drain contents after handling or using drain cleaning equipment.** Do not eat or smoke while operating or handling drain cleaning equipment. This will help prevent contamination with toxic or infectious material.
- **Do not spray toxic or flammable liquids.** This will reduce the risk of burns, fire, explosion or other injury.
- **Gasoline and its vapors are highly flammable and explosive.** See engine manual for precautions to reduce the risk of burns, explosions and serious injury while handling and using gasoline.
- **Engines produce carbon monoxide, a colorless, odorless poison gas. Breathing carbon monoxide can cause nausea, fainting or death.** Do not start and run engine in an enclosed area, even if doors and windows are open. Only operate outside.
- **Hot surfaces can cause burns and fire.** Keep body parts and flammable material away from hot surfaces.
- **Read and understand this manual, the engine manual and the warnings and instructions for all equipment being used with this tool before operating.** Failure to follow all warnings and instructions may result in property damage and/or serious injury.

The EC declaration of conformity (890-011-320.10) will accompany this manual as a separate booklet when required.

If you have any question concerning this RIDGID® product:

- Contact your local RIDGID distributor.
- Visit [www.RIDGID.com](http://www.RIDGID.com) or [www.RIDGID.eu](http://www.RIDGID.eu) to find your local RIDGID contact point.
- Contact RIDGID Technical Services Department at [rtctechservices@emerson.com](mailto:rtctechservices@emerson.com), or in the U.S. and Canada call (800) 519-3456.

## Description, Specifications and Standard Equipment

### Description

The RIDGID® Engine Powered Water Jetting Machines are portable high pressure water jetters designed to use a combination of water pressure and flow to clear grease, sludge, sediment and roots out of drains. A highly flexible and lightweight hose is propelled through the drain by the reverse jets on the jetter nozzle, and when retrieved scrubs the line flushing debris away. With the pulse activation engaged, difficult bends and traps are more easily negotiated. All machines are equipped with a gasoline engine to drive the triplex plunger pump.

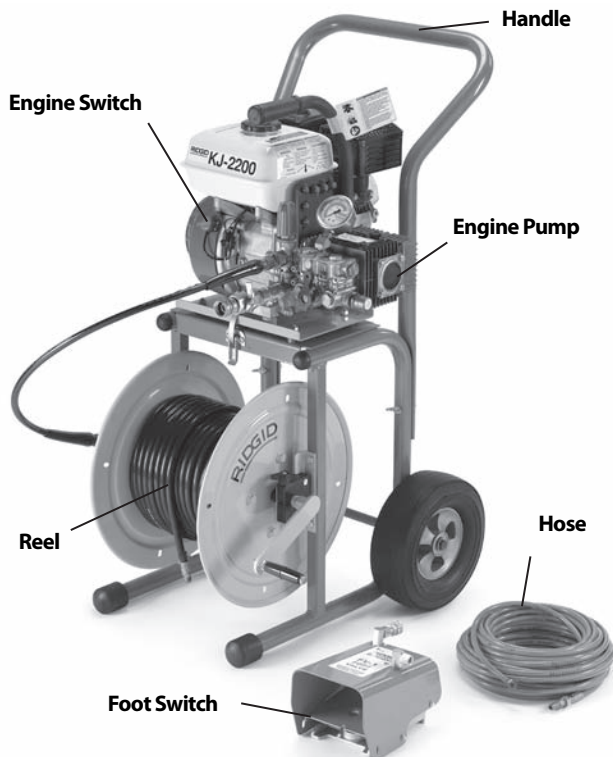


Figure 1 – KJ-2200 Water Jetting Machine

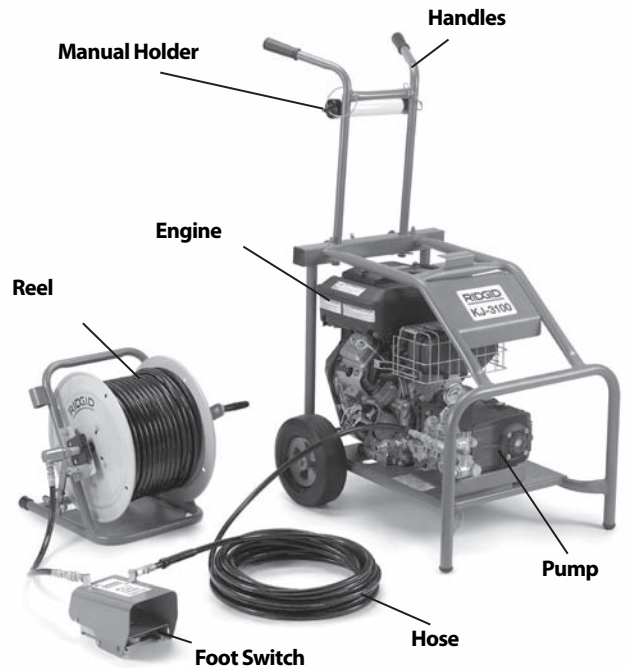


Figure 2 – KJ-3100 Water Jetting Machine



Figure 3 – Machine Serial Number

The machine serial number is located on the frame. The last 4 digits indicate the month and year of the manufacture. (08 = month, 10 = year).

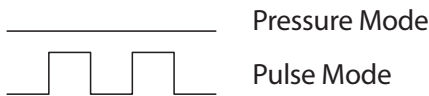
**Specifications**

Jetter Model	Motor H.P.	Pressure PSI / bar
KJ-2200	6.5 / 6,5	2200 / 150
KJ-3100	16	3000 / 205

Flow Rate GPM / liter	Drain Line Capacity inch / mm	Weight (w/o Hose Reel) lbs / kg
2.4 / 9	1 1/4 - 6 / 32 - 152	65 / 30
5.5 / 20	2 - 10 / 50 - 250	262 / 119

**Icons**



**Standard Equipment**

All Jetters come with

- Appropriate Jetter Nozzles
- Nozzle Cleaning Tool
- FV-1 Foot Valve
- Engine Operator’s Manual

See the RIDGID catalog for specific equipment supplied with each catalog number.

**NOTICE** This machine is made to clean drains. If properly used it will not damage a drain that is in good condition and properly designed, constructed and maintained. If the drain is in poor condition or not properly designed, constructed or maintained, the drain cleaning process may not be effective or could cause damage to the drain. The best way to determine the condition of a drain before cleaning is through visual inspection with a camera. Improper use of this jetting machine can damage the jetter and the drain. This machine may not clear all blockages.

**Machine Assembly**

**⚠ WARNING**

**To prevent serious injury during use and prevent machine damage, follow these procedures for proper assembly.**

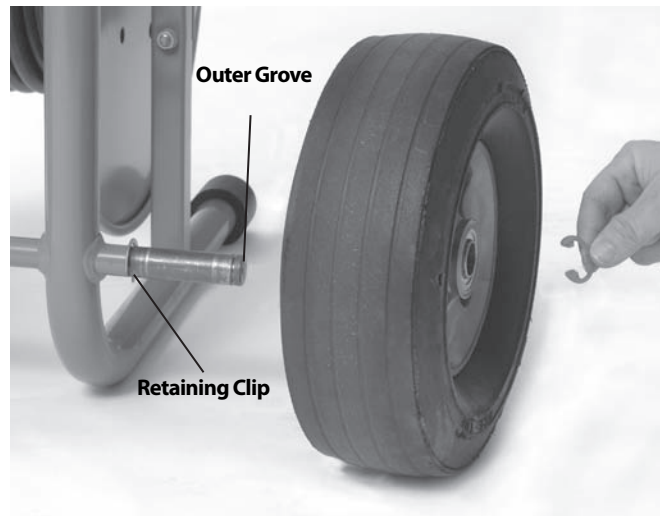
**Engine Oil**

**NOTICE** Jetter is shipped without oil in the engine. Operating the engine without oil will result in engine failure. Add oil prior to operation. See supplied engine operator’s manual for specific information on adding oil and oil selection.

**Pump/Gearbox Oil**

**Pump:** Replace the plug in the top of the pump and replace with dipstick/breather cap. Operating the jetter with the plug in place could damage the pump seals. Check oil level per *Maintenance Instruction* section.

**Gearbox (KJ-3100 only):** Replace the plug in the top of the pump with dipstick/breather cap. Operating the jetter with the plug in place could damage the gearbox seals. Check lubricant level per the *Maintenance Instruction* section.



**Figure 4 – Assembly of the KJ-2200**

**KJ-2200 Transport Cart**

1. Install retaining clip into inner groove on each end of axle. (See Figure 4.)
2. Slide a wheel over each end of axle.
3. Install retaining clip into outer groove on each end of axle to retain wheel.
4. Use the supplied carriage bolts and wing nuts to attach the handle to the frame.
5. Lift the motor/pump assembly onto the cart, aligning the holes in the base plate with the pins in the top of the cart. Use the latches on the cart to retain the motor/pump. Make sure the assembly is securely attached.

**KJ-3100 Handle Assembly**

1. Insert handle through the two holes in the rear cross bar of the frame. (See Figure 5.)
2. Insert a hairpin through the holes at the bottom of the handle to prevent the handle from pulling out.
3. Screw the T-knobs into the rear cross bar. Adjust the handles as desired and tighten the knobs to secure the handle.



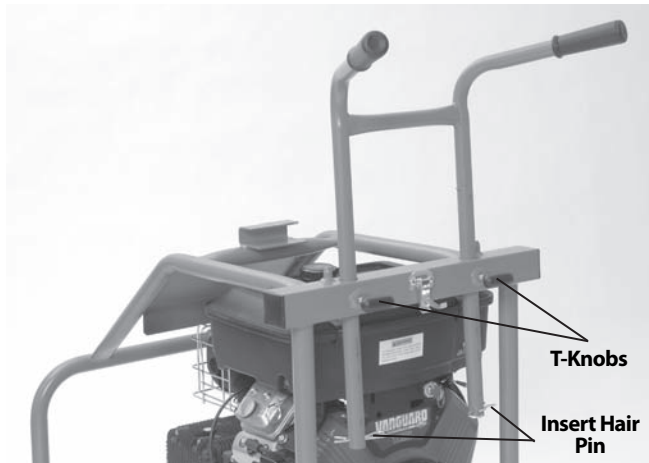


Figure 5 – KJ-3100 Handle Assembly

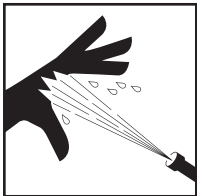
If any problems are found, do not use the water jetter until the problems are corrected.



Figure 6A – KJ-2200 Warning Labels

## Pre-Operation Inspection

### ⚠ WARNING



**Before each use, inspect your water jetter and correct any problems to reduce the risk of serious injury from high pressure water and other causes and prevent jetter damage.**

**Always wear safety glasses, gloves and other appropriate protective equipment when inspecting your jetter to protect against chemicals and bacteria on the equipment.**

1. Make sure that the engine switch/key is in the OFF position.
2. Clean any oil, grease or dirt from the equipment, including the handles and controls. This aids inspection and helps prevent the machine or control from slipping from your grip.
3. Inspect the water jetter and accessories for the following:
  - Proper assembly and completeness.
  - Broken, worn, missing, mis-aligned, binding or loose parts.
  - Presence and readability of the warning labels. (See Figure 6.)
  - Any other condition which may prevent the safe and normal operation.



Figure 6B – KJ-2200 Warning Labels

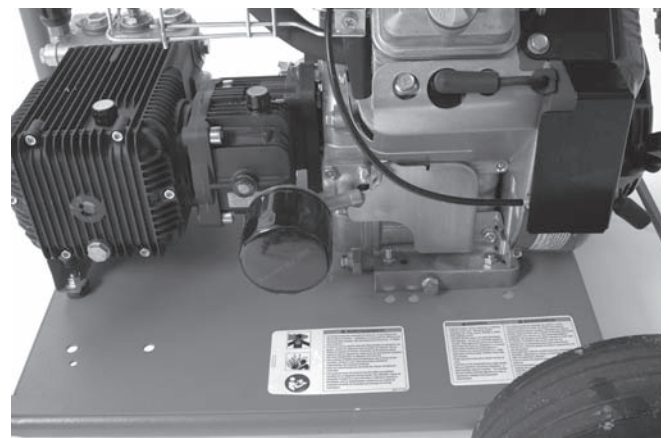
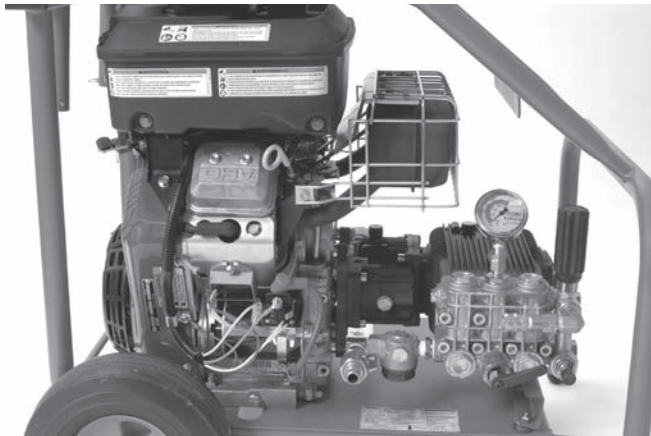
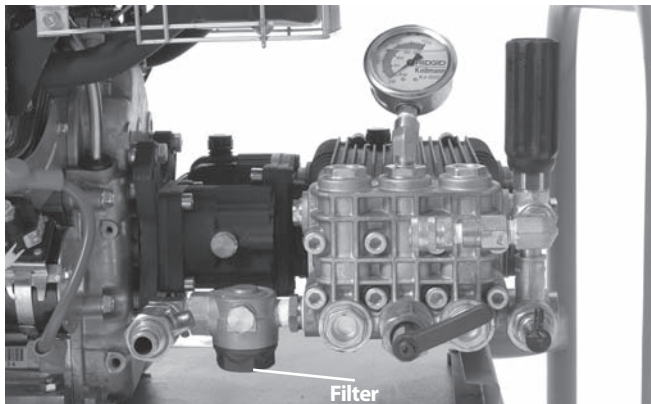


Figure 6C – KJ-3100 Warning Labels



**Figure 6D – KJ-3100 Warning Labels**

4. Clean water inlet filter/filter washer. Unscrew cover from bottom of inlet filter for cleaning. Dirt and debris can restrict the water flow to the pump and cause performance issues.



**Figure 7 – Inlet Filter/Filter Washer**

5. Inspect the jetter nozzle orifices for any damage or blockage. Blockages can be cleaned with a nozzle cleaning tool. Use care not to enlarge nozzle orifices while cleaning. Damaged nozzles or nozzles with enlarged orifices can decrease jetter performance and should be replaced.
6. Inspect the hoses, connectors and fittings for wear and damage. If there are any kinks, cracks, breaks or wear through the outer jacket of the hose or other damage, do not use the hose. Damaged hoses can burst or leak high pressure water and cause serious injury. Replacement hoses and fitting should be rated at or higher than the jetter pressure.
7. Inspect and maintain the engine per the engine operator's manual.
8. Check engine fuel level. For the KJ-3100, disconnect the hose reel latch and rotate the hose reel forward

until it rests on the frame to provide access to the engine gas cap *Figure 8*. If needed, add unleaded gasoline. See engine operator's manual for details. Use caution when handling gasoline. Re-fuel in a well ventilated area. Do not overfill tank and do not spill fuel. Make sure tank cap is securely closed.



**Figure 8 – KJ-3100 Fuel Tank Access**

9. Check the oil level in the pump and gear box (if equipped) and add oil if needed (*see Maintenance Instructions section*).

## Machine and Work Area Set-Up

### ⚠ WARNING



**Always wear safety glasses, gloves and other appropriate protective equipment when setting up your jetter to protect against chemicals and bacteria on the equipment. Rubber soled, non-slip shoes can help prevent slipping on wet surfaces.**

**Engines produce carbon monoxide, a colorless, odorless poison gas. Breathing carbon monoxide can cause nausea, fainting or death. Do not start and run engine in an enclosed area, even if doors and windows are open. Only operate outside.**

**Set up the jetter and work area according to these procedures to reduce the risk of injury from high**

**pressure water, chemical burns, infections, carbon monoxide and other causes, and prevent jetter damage.**

1. Check work area for:
  - Adequate lighting.
  - Flammable liquids, vapors or dust that may ignite. If present, do not work in area until sources have been identified and corrected. The jetter is not explosion proof and can cause sparks.
  - Clear, level, stable dry place for machine and operator. If needed, remove the water from the work area. Wood or other coverings may need to be put down.
  - Jetter location that is in a well ventilated outdoor area. Do not place the jetter indoors, even with doors and windows open. Jetter can be located remotely from the point of use.
  - Suitable water supply.
  - Clear path to transport the jetter to the set up location.
2. Inspect the drain to be cleaned. If possible, determine the access point(s) to the drain, the size(s) and length(s) of the drain, distance to tanks or mainlines, the nature of the blockage, presence of drain cleaning chemicals or other chemicals, etc. If chemicals are present in the drain, it is important to understand the specific safety measures required to work around those chemicals. Contact the chemical manufacturer for required information.

If needed, remove fixture (water closet, etc.) to allow access to the drain. Do not feed the hose through a fixture. This could damage the hose and the fixture.

3. Determine the correct equipment for the application. *See the Specifications* section for information on these jetters. Drain cleaners and jetters for other applications can be found by consulting the RIDGID Catalog, on line at [www.RIDGID.com](http://www.RIDGID.com) or [www.RIDGID.eu](http://www.RIDGID.eu).
4. Make sure all equipment has been properly inspected.
5. Evaluate the work area and determine if any barriers are needed to keep bystanders away. Bystanders can distract the operator. If working near traffic, erect cones or other barriers to alert drivers.
6. If needed, place protective covers in the work area. The drain cleaning process can be messy.
7. Take the jetter to the well-ventilated outdoor work area along the clear path. If the machine needs to be lifted, use proper lifting techniques. Use care moving equipment up and down stairs, and be aware of possible slip hazards. Wear appropriate footwear to help prevent slips.

## Water Supply

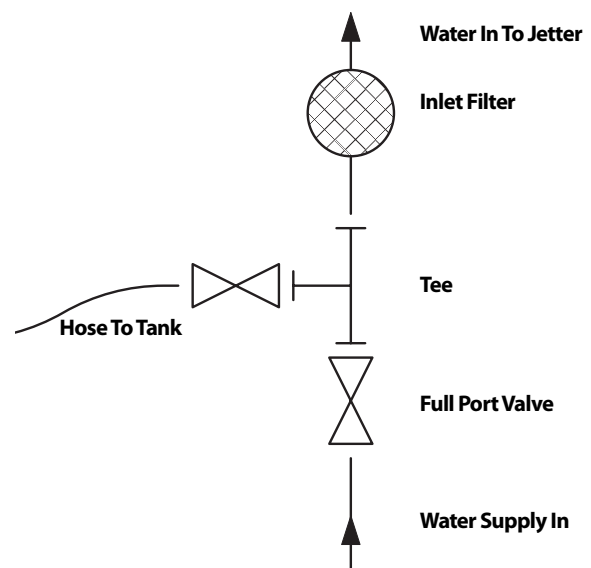
Confirm that there is sufficient water flow for jetter. Run a hose from the water source to the jetter. Use the largest diameter, shortest length hose possible. A  $\frac{3}{4}$ " / 19 mm I.D. hose is the minimum recommended size. An appropriate backflow prevention device should be used to comply with all local codes and ordinances. Turn the water on at the source and measure the time it takes to fill a clean five gallon / 18,9 liter bucket. *See the following table for maximum bucket fill times for each jetter.*

Jetter	Rating GPM / liter	Maximum 5 Gallon / 18,9 liter Bucket Fill Time
KJ-2200	2.4 / 9	125 seconds
KJ-3100	5.5 / 20	55 seconds

Insufficient water flow will prevent the jetter from reaching the pressure rating and could damage the pump. Inspect the water in the bucket for dirt and debris. Dirt and debris in the water supply can cause excess pump wear, clog the jetter filters nozzles and reduce performance. Do not use water from ponds, lakes or other sources that may be contaminated.

In cases of insufficient water flow, possible solutions include using fittings to allow multiple supply hoses to be connected to the jetter or the use of a tank.

If a tank is used, plumb a tee with full port valves to the jetter water inlet as shown in *Figure 9*. Connect a  $\frac{3}{4}$ " / 19 mm hose no longer than 6 feet / 1,8 m to the valve on the outlet of the tee, and connect the water supply to the run of the tee. Either place the hose end in the tank or connect to the tank outlet. The entire length of the tank hose should be no more than 5" / 12,7 cm above the jetter water inlet, or the jetter will not draw water from the tank.



**Figure 9 – Water Supply Connections When Using A Tank**



Fill the tank prior to starting the jetter. When starting jetter, turn the tank valve off. As soon as the jetter is started, open the tank valve. Monitor the tank water level, and if needed, stop jetting to allow the tank to refill. Do not allow the water level to fall below the hose end.

Hot water can be used for improved cleaning. Do not use water hotter than 140°F / 60°C – this can cause the pump thermal overload to open. When using hot water, use appropriate personal protective equipment to reduce the risk of burns.

When using in cold weather, use precautions to prevent water from freezing in the pump. This can damage the pump.

Make sure that the inlet supply valve on the jetter is closed and attach the supply hose to the jetter.

**Drain Preparation**

If working through a manhole, storm grate or other large access, use pipe and fittings to create a guide for the jetter hose from the drain opening to operation point. This will prevent the jetter hose from whipping around in the access and protect the hose from damage.

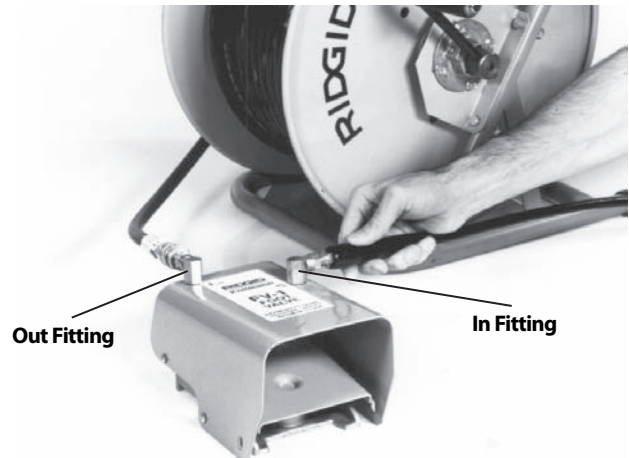


**Figure 10 – Extending the Drain Opening to the Operation Point**

**Hose Set-Up**

Use care when routing jetter hoses. Routing hoses over rough surfaces, sharp edges, crossing hoses, etc. can damage the hose jacket, especially when the jetter is used in the pulse mode. Keeping the jetter hose on the reel will help to minimize hose damage.

1. Select a jetter hose size appropriate for the drain being cleaned. It is not generally recommended to connect two jetter hoses together for cleaning drains. The connection between the two hoses is less flexible and can prevent passage through fittings See *Jetter Hose Selection Chart*.
2. As needed, separate the hose reel from the motor/pump assembly. Locate the hose reel within 3 feet / 90 cm of the drain opening. Do not allow excessive amounts of hose outside of the drain to prevent hose damage. If the hose reel cannot be placed within 3 feet / 90 cm of the drain opening, extend the drain opening back to the hose reel with similar sized pipe and fittings.
3. Route a hose from the jetter to the IN fitting on the foot valve. Use teflon tape to seal the connection. Position the foot valve for accessibility. You must be able to control the jetter hose and the foot valve.
4. Connect the hose from the reel to the OUT fitting on the foot valve.



**Figure 11 – Foot Valve Connection**

5. Mark the jetter hose near the end to indicate when the nozzle is getting close to the drain opening when withdrawn. This will help prevent the nozzle from coming out of the drain and whipping around. The distance depends on the configuration of the drain, but should be at least 4' / 1,2 m.
6. Remove the nozzle from the end of the jetter hose and place the end of the jetter hose in the drain. Open the inlet supply valve to purge the air and any debris from the jetter and hoses. Allow water to flow for at least 2 minutes.
7. Close the inlet supply valve.
8. Select a nozzle. Use nozzles specifically sized for the jetter being used. Using incorrect nozzles can cause poor performance (low operating pressure or low flow) or may damage the jetter with excessively high

pressures. Make sure the nozzle orifices are clear and open. See *Jetter Nozzle Selection Chart*.

If using the RR3000 nozzle for drains larger than 6" / 152 mm and up to 9" / 229 mm, the extension must be used. For drains 6" / 152 mm and smaller, no extension is needed. If needed, firmly hand tighten the extension to the RR3000 – do not over tighten. Using the RR3000 nozzle in a line larger than 6" and up to 9" / 152 mm and up to 229 mm without an extension, or in lines larger than 9" / 229 mm may allow the nozzle to change direction in the drain, exit at the user and cause serious injury (*Figure 12*).

- Firmly hand tighten the nozzle to the end of the hose – do not over tighten. Over tightening the nozzle can damage the nozzle and cause poor performance.

- Insert the hose with nozzle attached into the drain and open the inlet supply valve. Confirm that water flows freely through the nozzle and close the inlet supply valve.

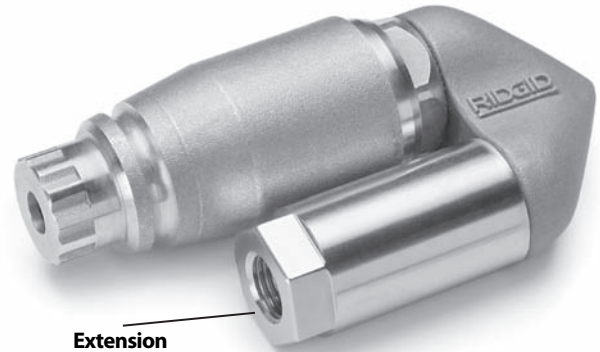


Figure 12 – RR3000 Nozzle with Extension

### JETTER HOSE SELECTION CHART

Applications		Pipe Size inch / mm	Nozzle Size inch / mm	Hose Size (ID) inch / mm	Hose Size (OD) inch / mm
KJ-2200	Bathroom sinks, urinals, and small lines.	1 1/4 - 2 / 32 - 50	1/8 / 3,2 NPT	1/8 / 3,2	3/16 / 4,8
	Kitchen sinks, laundry tubs and stacks, clean-outs, and vents.	2 - 3 / 50 - 76	1/8 / 3,2 NPT	3/16 / 4,8	1/4 / 6,4
	Shower and floor drains, lateral lines, and grease traps.	3 - 4 / 76 - 101	1/4 / 6,4 NPT	1/4 / 6,4	1/2 / 13
	Lateral and main lines.	4 - 6 / 101 - 152	1/4 / 6,4 NPT	1/4 / 6,4	1/2 / 13
KJ-3100	Stacks, clean-outs and vents.	2 - 3 / 50 - 76	1/8 / 3,2 NPT	3/16 / 4,8	1/4 / 6,4
	Floor drains, lateral lines, and grease traps.	3 - 4 / 76 - 101	1/4 / 6,4 NPT	3/8 / 9,5	5/8 / 16
	Lateral and main lines.	4 - 10 / 101 - 250	1/4 / 6,4 NPT	3/8 / 9,5	5/8 / 16

### JETTER NOZZLE SELECTION CHART

KJ-2200	<b>Thread Size, inch / mm</b>	1/8 / 3,2 NPT	1/4 / 6,4 NPT
	<b>Hose Size (Inside Diameter), inch / mm</b>	1/8 & 3/16 / 3,2 & 4,8	1/4 / 6,4
	<b>Hose Size (Outside Diameter), inch / mm</b>	3/16 & 1/4 / 4,8 & 6,4	1/2 / 13
	Features three reverse jet thrusts for maximum propulsion to jet long distances. Use this nozzle for most applications.	<b>H-61</b>	<b>H-71</b>
	Uses three jet thrusters in reverse plus one jet pointed forward to penetrate solid grease or sludge blockages. The forward jet blasts a small hole in the blockage for the nozzle to follow. It is also very effective when jetting ice blockages.	<b>H-62</b>	<b>H-72</b>
	Use the drop head to help negotiate difficult bends. This nozzle has three reverse jet thrusts.	<b>H-64</b>	
Use the spinning nozzle to clean grease and similar blockage from drain.	<b>H-65</b>	<b>H-75</b>	

<b>KJ-3100</b>	<b>Thread Size, inch / mm</b>	1/8 / 3,2 NPT	1/4 / 6,4 NPT
	<b>Hose Size (Inside Diameter), inch / mm</b>	3/16 / 4,8	3/8 / 9,5
	<b>Hose Size (Outside Diameter), inch / mm</b>	1/4 / 6,4	5/8 / 16
	Features four (4) reverse jet thrusts for maximum propulsion to jet long distances. Use this nozzle for most applications.	<b>H-101</b>	<b>H-111</b>
	Uses three jet thrusts in reverse plus one jet pointed forward to penetrate solid grease or sludge blockages. The forward jet blasts a small hole in the blockage for the nozzle to follow. It is also very effective when jetting ice blockages.	<b>H-102</b>	<b>H-112</b>
	Use the drop head to help negotiate difficult bends. This nozzle has four (4) reverse jet thrusts.	<b>H-104</b>	
	Use the spinning nozzle to help clean grease and similar blockage from drain.	<b>H-105</b>	<b>H-115</b>
	Use to clear roots and other type of blockages. NOTE! Use extension to stabilize the RR3000 when cleaning 8" / 200 mm diameter drains.		<b>RR3000</b>

## Operating Instructions

### ⚠ WARNING



**Always wear eye protection to protect your eyes against dirt and other foreign objects. Always wear appropriate personal protective equipment for the work environment.**

**Never operate the jetter with the hose end outside of the drain. Hose can whip, causing striking injuries and spray can penetrate skin and cause serious injury.**

**High pressure fluid can inject under skin resulting in serious injury, including amputation. Do not direct spray at people or animals.**

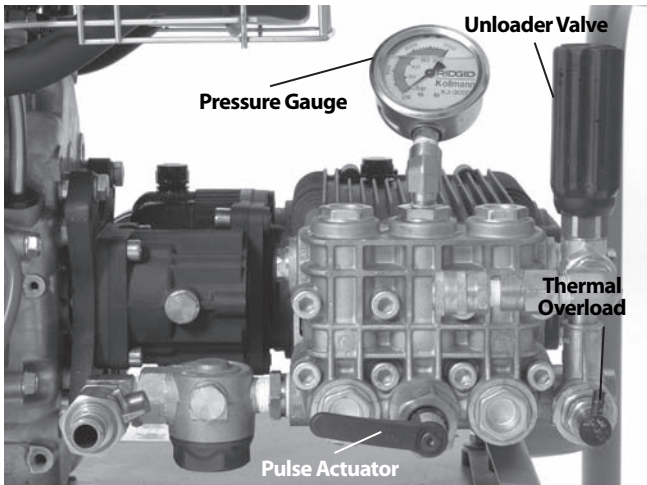
**Do not operate jetter above pressure rating or 140°F / 60°C (inlet water temperature). This increases the risk of injury, including burns, and damage to the jetter.**

**One person must control both the jetting process and the foot valve. Always use the foot valve. If the jetter hose comes out of the drain, the operator must be able to shut the water flow off to reduce the risk of the jetter hose whipping, causing striking and high pressure injection injuries.**

**Always use appropriate personal protective equipment while handling and using drain cleaning equipment. Drain may contain chemicals, bacteria and other substances that may be toxic, infectious, cause burns or other issues. Appropriate personal protective equipment always includes safety glasses and gloves, and may also include equipment such as latex or rubber gloves, face shields, goggles, protective clothing, respirators, and steel toed footwear.**

**Follow operating instructions to reduce the risk of injury from whipping hoses, high pressure liquid injection, carbon monoxide and other causes.**

1. Make sure that machine and work area is properly set up and that the work area is free of bystanders and other distractions. If the jetter is located remotely from the point of use, another person should be located at the jetter.
2. Insert the hose with nozzle attached into the drain at least three feet so that the end of the hose will not come out of the drain and whip around when the machine is started.
3. Confirm that the pulse actuator lever is rotated counter-clockwise in the "Pressure" position (*Figure 16*).
4. Open the inlet supply valve. Never start the engine without the water supply turned ON. This can damage the pump.
5. Press the foot valve to reduce pressure and allow the engine to start. Confirm that water flows freely through the nozzle. Following the starting instructions supplied in the engine manual, start the engine. Allow the engine to warm up.



**Figure 13 – Controls**

6. Turn the unloader valve while monitoring the pressure gauge to adjust the pressure as desired (clockwise to increase pressure, counter-clockwise to decrease pressure). Do not exceed the machine pressure rating being used. Do not force the unloader valve or use wrenches or tools to turn. This will damage the unloader valve.

Jetter	Pressure Rating, PSI / bar
KJ-2200	2200 / 150
KJ-3100	3000 / 205

If the jetter will not generate the rated pressure or is erratic:

- Make sure the engine throttle is properly adjusted.
- Make sure that the inlet supply valve is fully open and other valves in the supply system are fully open.
- Turn unloader valve clockwise to increase pressure. Do not force.
- Make sure the pulse actuator is on the “Pressure” setting.
- Cycle the pulse actuator between the “Pressure” and “Pulse” position several times while the unit is running to clear any trapped air from the system.
- Inspect system for leaks. Use caution during inspection to prevent injury. If leaks are found, shut jetter OFF before fixing.
- Turn the jetter OFF. Check the inlet filter/filter washer and make sure that they clear of debris.
- Make sure there is adequate water flow to the jetter.
- Turn the jetter and inlet supply valve OFF. Remove the nozzle and clean the orifices with the nozzle cleaning tool.

- Run the jetter without a nozzle on the hose to remove air or debris from the system. Turn the jetter OFF before removing or attaching the nozzle.
7. Assume a proper operating position.
- Be sure you can control the ON/OFF action of the foot valve. Do not press the foot valve yet.
  - Be sure that you have good balance and do not have to overreach.
  - You must be able to place one hand on the jetter hose at all times to control and support the hose.
  - You must be able to reach the reel for coiling the hose.

This operating position will help to maintain control of the jetter hose.



**Figure 14 – Proper Operating Position**


### Jetting the Drain

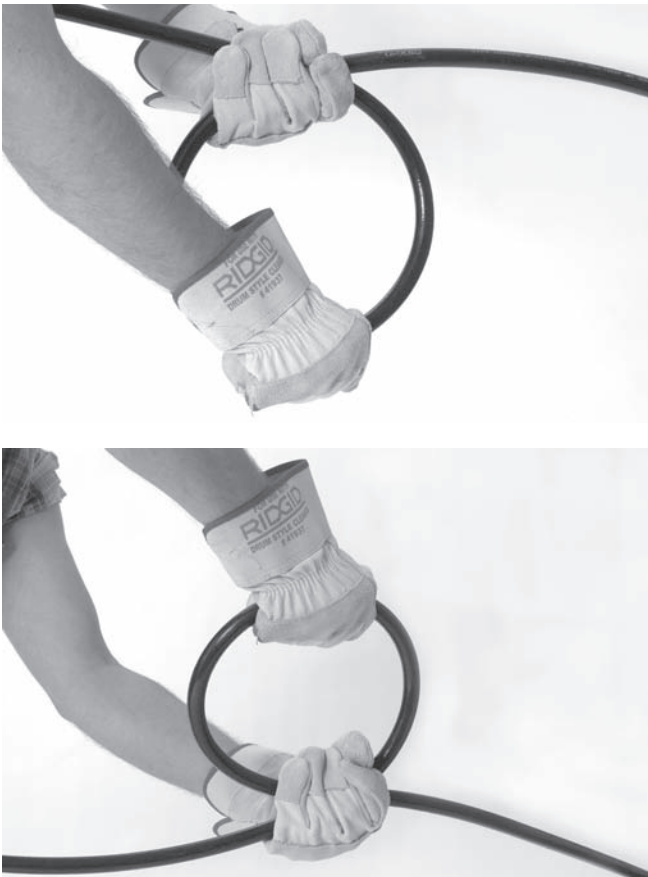
When jetting a drain, typically the hose is fed into the drain the full distance to be cleaned and slowly pulled back. This allows the high pressure water directed at the drain walls to remove build-up.

Release the locking pin on the hose reel. With at least three feet of hose in the drain and one hand on the hose to control its movement, depress the foot valve. The reverse jet thrusters on the nozzle will help pull the hose into the drain. Feed the hose in the as far as needs to be cleaned. If the hose stops, it has encountered some type of obstruction.

If the nozzle cannot pass through an obstruction, such as a change in direction (trap, turn, etc.) or a blockage.



- Use sharp thrusts of the hose.
- Rotate the hose a quarter to half turn to orient the set of the hose to the direction change (If the hose is rotated, once through the obstruction, turn the hose back to help prevent kinks) See Figure 15.
- Use the pulse mode.  (see next section).
- Use a trap hose or smaller diameter hose.



**Figure 15 – Rotating the Hose**

Once past a blockage, take the time to clean that section of drain prior to moving forward. Move several feet past the area of the obstruction and slowly pull the nozzle back through the area of the obstruction. Do this several times and then move further into the drain.

Watch the drain water level. If the water level gets too high, you may need to turn the jetter OFF and allow the water to drain prior to continuing. Jetting when the line is full of water is less effective than when the line is empty. Do not allow the jetter to run for extended period of time with the foot valve OFF. When the foot valve is OFF, water recirculates in the pump and cause the water to heat up. This can cause the pump thermal overload to open.

Once the nozzle is the desired distance into the drain, slowly (1 ft / 30 cm per minute for heavy drain accumulations) pull the nozzle back through the drain. Use one hand to control the hose and the other to wind the hose onto the reel. Watch as the nozzle gets closer to the drain opening that the nozzle does not come out of the drain while water is flowing. This could allow the hose to whip around and cause striking and high pressure fluid injuries. Always control the hose. Look for the mark on the hose near the nozzle. Release the foot valve to shut off the water flow.

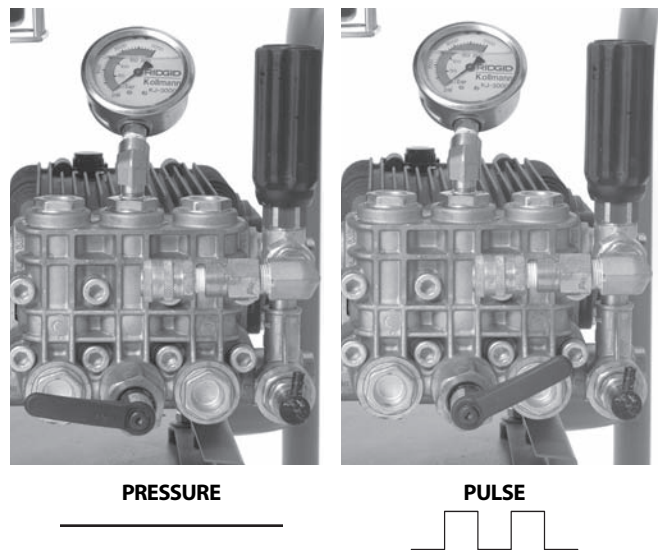
Turn OFF the engine as directed in the engine manual, and depress the foot valve to release the system pressure. Never leave the system pressurized. If needed, change the nozzle and continue cleaning following the above process. Several passes through a line are recommended for complete cleaning.

When finished, with the jetter shut off, remove the nozzle and open inlet supply valve to flush out the pump and hose. If using the jetter in cold weather conditions, immediately drain the water from the system to help prevent damage from freezing. See *Machine Storage* for information on freeze protecting.

### Using the Pulse Mode

When manipulating the hose is not enough to pass through a direction change or obstruction, the pulse mode should be used. The pulse mode induces large variation in water pressure that causes the hose to vibrate, easing hose advancement.

1. Turn the pulse actuator lever clockwise to the "Pulse" position. In pulse mode, the pressure gauge will read less than full pressure. This is normal.



**Figure 16 – Pulse Actuator Lever Position**

2. If needed, use sharp thrusts of the hose and hose rotation to help the nozzle through the obstruction.
3. Once through the obstruction, turn the pulse actuator lever counter-clockwise to the "Pressure" position. Do not leave the jetter in pulse mode any longer than needed to pass through an obstruction. Excessive use of the pulse feature can cause premature wear on hoses and system.

### Using Water Jetter Machine as a Pressure Washer

The RIDGID water jetting machines can also be used as pressure washers with the addition of the pressure wash package. Use as a pressure washer is similar to use as a jetter, and those instructions should be used in conjunction with the following.

1. Locate an appropriate work area.
2. Make sure all equipment has been properly inspected.
3. Attach the wash wand to the wash wand hose. Always use hose with a pressure rating at least as high as the jetter pressure rating. Use a thread sealant to prevent leaks.
4. Attach hose to the jetter outlet. Make sure the ends of the hose are securely connected to prevent them from coming off under pressure.
5. Connect an appropriate water supply, as discussed earlier, to the jetter.
6. Open the inlet supply valve and squeeze the wash wand trigger to allow water to flow and purge any air from the system. Never start the engine without the water supply turned ON. This can damage the pump.
7. Make sure that pulse actuator lever is rotated counter-clockwise in the "Pressure" position.
8. Wash Wand Nozzle Adjustments – By rotating the nozzle, the wash pattern can be adjusted from a fine stream to a wide fan type spray. By pulling the nozzle forward (low pressure) and backward (high pressure), the pressure can be adjusted. Make sure that the nozzle is pulled back to the high pressure position to start operation.



Figure 17 – Wash Wand Nozzle Adjustments

9. Wash Wand Lock Out – the wash wand includes a lock out on the back of the trigger. Flip the lock out down to prevent the operation of the trigger when the wash wand is not in use.
10. With the wand pointed in a safe direction, squeeze the wash wand trigger to reduce pressure and allow the engine to be started. Following the starting instructions supplied in the engine manual, start the engine. Allow the engine to warm up. Release the trigger as soon as the engine starts.
11. With the wand pointed in a safe direction, squeeze the wash wand trigger. Turn the unloader valve while monitoring the pressure gauge to adjust the pressure as desired. Do not exceed the machine pressure rating. Release the wash wand trigger.

### Pressure Washer Operation

1. When using as a pressure washer use both hands to grip and direct the wash wand for greater control. Never direct the wash wand at people. High pressure fluid can inject under skin resulting in serious injury. Never direct wash wand at electrical equipment or wiring to reduce the risk of electrical shock.
2. Control the flow of water with the trigger. Use care when using the pressure washer. Holding the nozzle too close to a surface can damage it. Test a small, inconspicuous area to confirm the settings work as desired.
3. Do not allow the jetter to run for extended period of time with the trigger OFF. When the trigger is OFF, water recirculates in the pump and it causes the water to heat up. This can cause the pump thermal overload to open.
4. Once pressure washing is complete, release the trigger and turn OFF the engine as directed in the engine manual. Squeeze the trigger to release system pressure. Never leave the system pressurized.

### Detergent Injector

1. If needed, attach the detergent injector to the outlet port. Remove the output hose and attach the detergent injector with arrow on the unit pointing the same direction as the water flow. Use thread sealant to prevent leaks. Reattach the output hose.
2. Attach the siphon hose to the detergent injector. Place the strainer end of hose into the detergent container. Only use detergents designed for use with pressure washers. Follow all detergent instructions. Do not spray flammable liquids or toxic chemicals. Other detergents, solvents, cleaners, etc. can damage the jetter, or cause serious injury.

- When pressure washing, detergents are only dispensed when wash wand nozzle is in the low pressure position. Pull the nozzle forward to the low pressure position to dispense detergent.
- During operation, the detergent application rate can be adjusted by turning the sleeve on the detergent injector. Counter-clockwise increases the amount of detergent, clockwise decreases.
- When detergent application is complete, remove the strainer from the detergent, place into a bucket of clean water and flush the system of any detergent.

## Maintenance Instructions

### ⚠ WARNING

**Before performing any maintenance, engine switch should be in OFF position and spark plug wires should be disconnected to prevent inadvertent operation. Press foot valve or wand trigger to release any fluid pressure in system.**

**Always wear safety glasses and gloves when performing any maintenance to help protect against drain chemicals and bacteria.**

### Cleaning

The hose should be cleaned as needed with hot, soapy water and/or disinfectants. Do not allow water to enter the engine or electrical system. Do not clean with pressure washer. Wipe the unit down with a damp cloth.

### Engine

Maintain the engine as directed in the engine operator's manual supplied with the unit.

### Pump Lubrication

Check the pump oil level prior to use. Place the jetter on a level surface. Wipe any dirt and debris from the area of the dipstick and remove the dipstick – check the oil level. If needed, add SAE 30W non-detergent oil. Do not overfill. Reinstall dipstick.

Change oil in pump after first 50 hours of operation and every 500 hours of operation after that. With the pump warm from operation, remove plug on bottom of pump and drain oil into suitable container. Replace plug. Fill with approximately 32 oz / 0,9 kg of SAE 30W non-detergent oil using the checking procedure.

### Gearbox Lubrication

Check the gearbox oil level prior to use. Place the jetter on a level surface. Wipe any dirt and debris from the

area of the dipstick and remove the dipstick – check the oil level. If needed, add SAE 90W gear lubricant. Do not overfill. Reinstall dipstick.

Change oil in gearbox every 500 hours of operation. With the gearbox warm from operation, remove plug on bottom of gearbox and drain oil into suitable container. Replace plug. Fill with approximately 8 oz / 0,2 kg of SAE 90W gear lubricant oil using the checking procedure.

### Preparing Pump for Cold Weather Storage

**NOTICE** If the jetter will be stored under conditions where the temperature is near or below 32°F / 0°C, the jetter must be properly prepared. If water freezes in the pump, it can damage it.

There are two methods for preparing the jetter for cold weather storage. The first is to open all valves in the system and use compressed air to force any water out of the system. This can also be used to remove water from the hoses.

The second method uses RV antifreeze (non-ethylene glycol antifreeze). Do not use ethylene glycol antifreeze in the jetter pump. Ethylene glycol cannot be used in drainage systems.

- Attach a 3' / 90 cm section of hose to the inlet supply valve and open valve.
- Place the end of the hose into the container of RV antifreeze.
- Remove the nozzle from the end of the hose.
- Start the jetter and run until antifreeze comes out of the end of the hose.

## Accessories

### ⚠ WARNING

**To reduce the risk of serious injury, only use accessories specifically designed and recommended for use with the RIDGID Water Jetter Machines, such as those listed below. Other accessories suitable for use with other tools may be hazardous when used with RIDGID Water Jetter Machines.**



**KJ-2200 Jetter Nozzle and Hoses**

Catalog No.	Model No.	Description	Hose I.D. inch / mm	Hose O.D. inch / mm
64772	H-61	Propulsion Nozzle	$\frac{1}{8}$ " / 3,2 mm	
64777	H-62	Penetrating Nozzle		
64782	H-64	Drop Head Nozzle		
82842	H-65	Spin Nozzle 2200		
		Fits $\frac{1}{4}$ " / 6,4 mm Hose		
64787	H-71	Propulsion Nozzle	$\frac{1}{4}$ " / 6,4 mm NPT	
64792	H-72	Penetrating Nozzle		
82852	H-75	Spin Nozzle 2200		
		Fits $\frac{1}{2}$ " / 13 mm Hose		
47592	H-1425	$\frac{1}{4}$ " x 25' / 6,4 mm x 7,6 m	$\frac{3}{16}$ / 4,8	$\frac{1}{4}$ / 6,4
47597	H-1435	$\frac{1}{4}$ " x 35' / 6,4 mm x 10,7 m	$\frac{3}{16}$ / 4,8	$\frac{1}{4}$ / 6,4
47602	H-1450	$\frac{1}{4}$ " x 50' / 6,4 mm x 15,2 m	$\frac{3}{16}$ / 4,8	$\frac{1}{4}$ / 6,4
		$\frac{1}{4}$ " / 6,4 mm Trap Hose		
49272	H-1475	$\frac{1}{4}$ " x 75' / 6,4 mm x 22,9 m	$\frac{3}{16}$ / 4,8	$\frac{1}{4}$ / 6,4
		Orange		
49277	H-1400	$\frac{1}{4}$ " x 100' / 6,4 mm x 30,5 m	$\frac{3}{16}$ / 4,8	$\frac{1}{4}$ / 6,4
64732	H-1415	$\frac{1}{4}$ " x 150' / 6,4 mm x 45,7 m	$\frac{3}{16}$ / 4,8	$\frac{1}{4}$ / 6,4
50002	HL-1	Flexible Leader, $\frac{1}{4}$ " / 6,4 mm	$\frac{1}{8}$ / 3,2	$\frac{3}{16}$ / 4,8
50007	HL-2	Flexible Leader, $\frac{1}{2}$ " / 13 mm	$\frac{1}{8}$ / 3,2	$\frac{3}{16}$ / 4,8
47607	H-1250	$\frac{1}{2}$ " x 50' / 13 mm x 15,2 m	$\frac{1}{4}$ / 6,4	$\frac{1}{2}$ / 13
47612	H-1275	$\frac{1}{2}$ " x 75' / 13 mm x 22,9 m	$\frac{1}{4}$ / 6,4	$\frac{1}{2}$ / 13
47617	H-1200	$\frac{1}{2}$ " x 100' / 13 mm x 30,5 m	$\frac{1}{4}$ / 6,4	$\frac{1}{2}$ / 13
51587	H-1211	$\frac{1}{2}$ " x 110' / 13 mm x 33,5 m	$\frac{1}{4}$ / 6,4	$\frac{1}{2}$ / 13
		$\frac{1}{2}$ " / 13 mm Jet Hose		
49487	H-1215	$\frac{1}{2}$ " x 150' / 13 mm x 45,7 m	$\frac{1}{4}$ / 6,4	$\frac{1}{2}$ / 13
		Black		
51597	H-1220	$\frac{1}{2}$ " x 200' / 13 mm x 61 m	$\frac{1}{4}$ / 6,4	$\frac{1}{2}$ / 13

**KJ-2200 Jetter Accessories**

Catalog No.	Model No.	Description
62882	H-5	Mini Hose Reel (No Hose included)
64737	H-30	H-30 Cart with Hose Reel
62877	H-30 WH	H-30 Cart with Hose Reel and 110' / 33,5 m x $\frac{1}{2}$ " / 13 mm Jet Hose
64077	HP-22	Pressure Wash Package, KJ-2200
64767	HW-22	Wash Wand, KJ-2200
51572	H-1235	Wash Wand Hose $\frac{1}{2}$ " / 13 mm x 35' / 10,7 m
48157	FV-1	Foot Valve
66732	HF-4	Quick Connect Hose
48367	H-25	Winterizing Kit
47542	H-21	Nozzle Cleaning Tool
67187	H-32	Jet Vac

**KJ-3100 Jetter Nozzles and Hoses**

Catalog No.	Model No.	Description	Hose I.D. inch / mm	Hose O.D. inch / mm
38698	H-101	Propulsion Nozzle	$\frac{1}{8}$ " / 3,2 mm NPT	
38713	H-102	Penetrating Nozzle		
38703	H-104	Drop Head Nozzle		
38723	H-105	$\frac{1}{8}$ " / 3,2 mm NPT Spin Nozzle		
		Fits $\frac{1}{4}$ " / 6,4 mm Hose		
38693	H-111	Propulsion Nozzle	$\frac{1}{4}$ " / 6,4 mm NPT	
38708	H-112	Penetrating Nozzle		
38718	H-1155	$\frac{1}{4}$ " / 6,4 mm NPT Spin Nozzle		
16713	RR3000	Root Ranger Nozzle		
47592	H-1425	$\frac{1}{4}$ " / 6,4 mm x 25' / 7,6 m Trap Hose	$\frac{3}{16}$ / 4,8	$\frac{1}{4}$ / 6,4
47597	H-1435	$\frac{1}{4}$ " / 6,4 mm x 35' / 10,7 m Trap Hose	$\frac{3}{16}$ / 4,8	$\frac{1}{4}$ / 6,4
		$\frac{1}{4}$ " / 6,4 mm Trap Hose		
47602	H-1450	$\frac{1}{4}$ " / 6,4 mm x 50' / 15,2 m	$\frac{3}{16}$ / 4,8	$\frac{1}{4}$ / 6,4
		Orange		
49272	H-1475	$\frac{1}{4}$ " / 6,4 mm x 75' / 22,9 m	$\frac{3}{16}$ / 4,8	$\frac{1}{4}$ / 6,4
		Trap Hose		
49277	H-1400	$\frac{1}{4}$ " / 6,4 mm x 100' / 30,5 m	$\frac{3}{16}$ / 4,8	$\frac{1}{4}$ / 6,4
		Trap Hose		
64732	H-1415	$\frac{1}{4}$ " / 6,4 mm x 150' / 45,7 m	$\frac{3}{16}$ / 4,8	$\frac{1}{4}$ / 6,4
		Trap Hose		
64827	H-3835	$\frac{3}{8}$ " / 9,5 mm ID x 35' / 10,7 m Wash Hose	$\frac{3}{8}$ / 9,5	$\frac{5}{8}$ " / 16
64832	H-3850	$\frac{3}{8}$ " / 9,5 mm ID x 50' / 15,2 m Jet/Wash Hose	$\frac{3}{8}$ / 9,5	$\frac{5}{8}$ " / 16
64837	H-3810	$\frac{3}{8}$ " / 9,5 mm ID x 100' / 30,5 m Jet Hose	$\frac{3}{8}$ / 9,5	$\frac{5}{8}$ " / 16
		$\frac{3}{8}$ " / 9,5 mm Jet Hose		
64842	H-3815	$\frac{3}{8}$ " / 9,5 mm ID x 150' / 45,7 m Jet Hose	$\frac{3}{8}$ / 9,5	$\frac{5}{8}$ " / 16
		Black		
64847	H-3820	$\frac{3}{8}$ " / 9,5 mm ID x 200' / 61 m Jet Hose	$\frac{3}{8}$ / 9,5	$\frac{5}{8}$ " / 16
64852	H-3825	$\frac{3}{8}$ " / 9,5 mm ID x 250' / 76,2 m Jet Hose	$\frac{3}{8}$ / 9,5	$\frac{5}{8}$ " / 16
64857	H-3830	$\frac{3}{8}$ " / 9,5 mm ID x 300' / 91,4 m Jet Hose	$\frac{3}{8}$ / 9,5	$\frac{5}{8}$ " / 16

**KJ-3100 Jetter Accessoires**

Catalog No.	Model No.	Description
62882	H-5	Mini Hose Reel
64862	H-38	Hose Reel (Fits KJ-3100)
64902	H-38 WH	Hose Reel with 200' / 61 m x $\frac{3}{8}$ " / 9,5 mm ID Hose (Fits KJ-3100)
64797	HW-30	Wash Wand, KJ-3100
48367	H-25	Winterizing Kit
48157	FV-1	Foot Valve
66732	HF-4	Quick Connect Hose (Reel to Foot Valve)
47542	H-21	Nozzle Cleaning Tool
67187	H-32	Jet Vac

## Machine Storage

**⚠ WARNING** Store the jetter in a well ventilated area protected from rain and snow. Keep the machine in a locked area that is out of reach of children and people unfamiliar with jetters. This machine can cause serious injury in the hands of untrained users. See *Maintenance section* for information on cold weather storage. See engine operator’s manual for specific information on engine storage.

## Service And Repair

**⚠ WARNING**

**Improper service or repair can make machine unsafe to operate.**

The “Maintenance Instructions” will take care of most of the service needs of this machine. Any problems not addressed by this section should only be handled by an authorized RIDGID service technician.

Tool should be taken to a RIDGID Independent Authorized Service Center or returned to the factory.

For information on your nearest RIDGID Independent Service Center or any service or repair questions:

- Contact your local RIDGID distributor.
- Visit [www.RIDGID.com](http://www.RIDGID.com) or [www.RIDGID.eu](http://www.RIDGID.eu) to find your local RIDGID contact point.
- Contact RIDGID Technical Services Department at [rtctechservices@emerson.com](mailto:rtctechservices@emerson.com), or in the U.S. and Canada call (800) 519-3456.

## Troubleshooting

PROBLEM	CAUSE	CORRECTION
<b>Jetter runs but produces little or no pressure.</b>	Inadequate water supply.	Make certain water supply faucet is <b>ON</b> . Make certain jetter’s water supply inlet valve is <b>ON</b> . Make certain water supply hose is clear and not kinked or collapsed.
<b>Jetter will not adjust to full operating pressure at start-up.</b>	Air is trapped in system. Jetter nozzle thrusters are blocked	Remove nozzle from jet hose and run jetter to flush air/debris from system. Remove nozzle and clean thruster orifices with nozzle cleaning tool.
<b>Jetter pressure gage oscillates from 500 to full operating pressure.</b>	Jetter nozzle thrusters are blocked. Debris or air trapped in system.	Remove nozzle. Use nozzle cleaning tool to clear nozzle orifices: select proper wire size and push completely through each thruster orifice to remove debris. Remove nozzle and insert jet hose in drain line. Run jetter to flush trapped air or debris.

## Disposal

Parts of the water jetter contain valuable materials and can be recycled. There are companies that specialize in recycling that may be found locally. Dispose of the components in compliance with all applicable regulations. Contact your local waste management authority for more information.



**For EC Countries:** Do not dispose of electrical equipment with household waste!

According to the European Guideline 2002/96/EC for Waste Electrical and Electronic Equipment and its implementation into national legislation, electrical equipment that is no longer usable must be collected separately and disposed of in an environmentally correct manner.

# Dégorgeoir haute-pression

## Dégorgeoirs haute-pression KJ-2200 et KJ-3100



KJ-3100



KJ-2200

### **AVERTISSEMENT**

Familiarisez-vous bien avec le mode d'emploi avant d'utiliser l'appareil. L'incompréhension ou le non-respect des consignes ci-après augmenteraient les risques de choc électrique, d'incendie et/ou d'accident grave.

### Dégorgeoirs haute-pression KJ-2200 et KJ-3100

Notez ci-dessous le numéro de série indiqué sur la plaque signalétique de l'appareil pour future référence.

N° de  
série

--	--

## Table des matières

Fiche d'enregistrement du numéro de série de la machine .....	19
Symboles de sécurité .....	21
<b>Consignes générales de sécurité</b>	
Sécurité des lieux .....	21
Sécurité électrique .....	21
Sécurité individuelle .....	21
Utilisation et entretien des outils .....	22
Service après-vente .....	22
<b>Mises en garde du dégorgeoir à jet d'eau .....</b>	<b>22</b>
<b>Description, caractéristiques techniques et équipements de base</b>	
Description .....	23
Caractéristiques techniques .....	24
Icônes .....	24
Équipements de base .....	24
<b>Assemblage de la machine</b>	
Huiles moteur .....	24
Huiles de pompe et de transmission .....	24
Chariot de transport pour KJ-2200 .....	25
KJ-3100 Assemblage de la poignée .....	25
<b>Contrôle préalable .....</b>	<b>25</b>
<b>Préparation de la machine et du chantier .....</b>	<b>27</b>
Alimentation d'eau .....	28
Préparation du conduit d'évacuation .....	29
Préparation des flexibles .....	29
Tableau de sélection des flexibles haute-pression .....	30
Tableau de sélection des buses .....	30
<b>Consignes d'utilisation .....</b>	<b>31</b>
Curage haute-pression des conduites d'évacuation .....	32
Fonctionnement du système à pulsations .....	33
Utilisation du dégorgeoir en tant que nettoyeur haute-pression .....	34
Fonctionnement du nettoyeur haute-pression .....	34
Injecteur de produit de nettoyage .....	34
<b>Consignes d'entretien</b>	
Nettoyage .....	35
Moteur .....	35
Lubrification de la pompe .....	35
Lubrification de la transmission .....	35
Préparation hivernale de la pompe .....	35
<b>Accessoires .....</b>	<b>36</b>
<b>Stockage de la machine .....</b>	<b>36</b>
<b>Révisions et réparations .....</b>	<b>37</b>
<b>Recyclage .....</b>	<b>37</b>
<b>Dépannage .....</b>	<b>38</b>
<b>Garantie à vie .....</b>	<b>Page de garde</b>

## Symboles de sécurité

Des symboles et mots clés spécifiques, utilisés à la fois dans ce mode d'emploi et sur l'appareil lui-même, servent à signaler d'importants risques de sécurité. Ce qui suit permettra de mieux comprendre la signification de ces mots clés et symboles.



Ce symbole sert à vous avertir aux dangers physiques potentiels. Le respect des consignes qui le suivent vous permettra d'éviter les risques de blessures graves ou mortelles.

### **DANGER**

Le terme DANGER signifie une situation dangereuse potentielle qui, faute d'être évitée, provoquerait la mort ou de graves blessures corporelles.

### **AVERTISSEMENT**

Le terme AVERTISSEMENT signifie une situation dangereuse potentielle qui, faute d'être évitée, serait susceptible d'entraîner la mort ou de graves blessures corporelles.

### **ATTENTION**

Le terme ATTENTION signifie une situation dangereuse potentielle qui, faute d'être évitée, serait susceptible d'entraîner des blessures corporelles légères ou modérées.

### **AVIS IMPORTANT**

Le terme AVIS IMPORTANT signifie des informations concernant la protection des biens.



Ce symbole indique la nécessité de lire le manuel soigneusement avant d'utiliser le matériel. Le mode d'emploi renferme d'importantes informations concernant la sécurité d'utilisation du matériel.



Ce symbole indique le port obligatoire de lunettes de sécurité intégrales lors de la manipulation ou utilisation du matériel.



Ce symbole signifie un risque de perforation de la peau et autres blessures en cas de contact direct avec le jet d'eau.



Ce symbole indique un risque de fouettement du flexible haute-pressure et des blessures contondantes et perforantes qu'il pourrait occasionner.



Ce symbole signale un risque d'inhalation de monoxyde de carbone susceptible de provoquer des nausées, des évanouissements ou la mort.



Ce symbole indique un risque d'incendie ou d'explosion dû à la présence d'essence ou autres comburants susceptibles de provoquer des brûlures ou autres blessures.

## Consignes générales de sécurité

### **AVERTISSEMENT**

**Familiarisez-vous avec l'ensemble du mode d'emploi. Le non-respect des consignes d'utilisation et de sécurité ci-après augmenterait les risques de choc électrique, d'incendie et/ou de grave blessure corporelle.**

### **CONSERVEZ CES INSTRUCTIONS !**

#### Sécurité des lieux

- **Assurez-vous de la propreté et du bon éclairage des lieux.** Les zones encombrées ou mal éclairées sont une invitation aux accidents.
- **N'utilisez pas ce matériel en présence de matières explosives telles que liquides, gaz ou poussières combustibles.** Les appareils électriques produisent des étincelles susceptibles d'enflammer les poussières et émanations combustibles.
- **Eloignez les enfants et les curieux lors de l'utilisation d'un appareil électrique.** Les distractions risquent de vous faire perdre le contrôle de l'appareil.

#### Sécurité électrique

- **Évitez tout contact physique avec les objets reliés à**

**la terre tels que canalisations, radiateurs, cuisinières et réfrigérateurs.** Tout contact avec la terre augmenterait les risques de choc électrique.

#### Sécurité individuelle

- **Soyez attentif, faites attention à ce que vous faites et faites preuve de bon sens. N'utilisez pas ce matériel lorsque vous êtes sous l'influence de drogues, de l'alcool ou de médicaments.** Lors de l'utilisation de ce type d'appareil, un instant d'inattention risque d'entraîner de graves lésions corporelles.
- **Habillez-vous de manière appropriée. Ne portez pas de vêtements trop amples ou de bijoux. Contenez les cheveux longs. Eloignez vos cheveux, vos vêtements et vos gants des mécanismes.** Les vêtements amples, les bijoux et les cheveux longs risquent d'être entraînés dans le mécanisme.
- **Ne vous mettez pas en porte-à-faux. Maintenez une bonne position de travail et un bon équilibre à tout moment.** Cela vous permettra de mieux contrôler l'outil en cas d'imprévu.
- **Prévoyez les équipements de protection individuelle nécessaires. Portez systématiquement une protection oculaire.** Le port d'un masque à poussière, de



chaussures de sécurité antidérapantes, d'un casque de chantier ou de protecteurs d'oreilles s'impose lorsque les conditions l'exigent.

### Utilisation et entretien des outils

- **Ne forcez pas les outils. Prévoyez l'outil approprié en fonction des travaux envisagés.** Le matériel approprié fera le travail plus efficacement et avec un plus grand niveau de sécurité lorsqu'il tourne au régime prévu.
- **N'utilisez pas de matériel électrique dont l'interrupteur ne contrôle pas la mise en marche ou l'arrêt.** Tout appareil électrique qui ne peut pas être contrôlé par son interrupteur est dangereux et doit être réparé.
- **Rangez les outils non utilisés hors de la portée des enfants et des individus qui n'ont pas été familiarisés avec ce type de matériel ou son mode d'emploi.** Ce type d'outil peut s'avérer dangereux s'il tombe entre les mains d'utilisateurs non initiés.
- **Veillez à l'entretien quotidien des outils, notamment en ce qui concerne leur affûtage et leur propreté.** Des outils correctement entretenus et affûtés seront plus faciles à contrôler et moins susceptibles de se gripper.
- **Examinez la machine pour signes de mauvais alignement, détérioration ou grippage de ses mécanismes, voire toute autre anomalie susceptible de nuire à son bon fonctionnement. Le cas échéant, il sera nécessaire de faire réparer la machine avant de vous en servir.** De nombreux accidents sont provoqués par des machines mal entretenues.
- **Utilisez exclusivement les accessoires prévus par le fabricant pour votre type d'appareil particulier.** Toute tentative d'adaptation d'accessoires prévus pour d'autres types d'appareil pourrait s'avérer dangereuse.

### Révisions

- **Confiez les révisions de cette machine à un réparateur qualifié utilisant exclusivement des pièces de rechange identiques à celles d'origine.** Cela assurera la sécurité intrinsèque du matériel.
- **N'utilisez que des pièces de rechange d'origine lors de la révision de l'appareil, et respectez les consignes de la section Entretien du manuel.** L'utilisation de pièces non homologuées ou de procédés d'entretien non conformes augmenterait les risques de choc électrique et autres blessures.

## Consignes de sécurité spécifiques visant les dégorgeoirs haute-pression

### ⚠ AVERTISSEMENT

**La section suivante contient d'importantes consignes de sécurité qui s'adressent spécifiquement à ce type de matériel.**

**Afin de limiter les risques d'incendie et de choc électrique ou autres blessures graves, lisez le mode d'emploi soigneusement avant d'utiliser ce type de dégorgeoir.**

### **CONSERVEZ CES MISES EN GARDE ET INSTRUCTIONS POUR FUTURE REFERENCE !**

Gardez ce mode d'emploi avec la machine pour qu'il soit à la disposition de tout utilisateur éventuel.

- **Ne jamais utiliser le dégorgeoir avec son tuyau haute-pression hors d'une conduite d'évacuation.** Le cas échéant, le tuyau risquerait de fouetter et provoquer des blessures contondantes, tandis que le jet d'eau sous pression pourrait pénétrer la peau et provoquer de graves lésions.
- **L'eau sous pression risque d'être injectée sous la peau et provoquer de graves lésions allant jusqu'à l'amputation.** Ne jamais diriger le jet d'eau vers autrui ou vers des animaux.
- **Ne pas utiliser le dégorgeoir à une pression supérieure à sa pression nominale ou avec une alimentation d'eau dépassant les 140°F / 60°C.** En plus d'endommager le dégorgeoir, cela augmenterait les risques de brûlures et autres blessures.
- **Un seul individu doit contrôler à la fois le processus de curage haute-pression et la pédale de commande. Utilisez systématiquement la pédale de commande.** En cas de sortie accidentelle du tuyau haute-pression durant le processus de curage, l'utilisateur doit pouvoir couper l'arrivée d'eau afin de limiter les risques de fouettement du tuyau et les blessures contondantes et pénétrantes que celui-ci pourrait provoquer.
- **Prévoyez systématiquement les équipements de protection individuelle nécessaires lors de la manipulation ou utilisation du matériel de curage.** Les conduites d'évacuation peuvent renfermer des produits chimiques, des bactéries et autres substances potentiellement toxiques, infectieuses, irritantes ou autrement dangereuses pour la santé. Aux équipements de protection individuelle obligatoires (lunettes de sécurité et gants de travail) peuvent s'ajouter, selon le cas, des gants en latex ou caoutchouc, une visière intégrale, des lunettes étanches, des vêtements de protection, un respirateur et/ou des chaussures de sécurité.

- **Respectez les consignes d'hygiène. Lavez vos mains, ainsi que toute autre partie du corps éventuellement exposée au contenu de la conduite d'évacuation, à l'eau chaude savonneuse après chaque manipulation ou utilisation du matériel de curage.** Ne pas manger ou fumer lors de la manipulation ou utilisation du matériel de curage. Cela limitera les risques de contamination en cas de contact avec des produits toxiques ou infectieux.
- **Ne jamais pulvériser de produits toxiques ou inflammables.** Cela limitera les risques de brûlure, d'incendie, d'explosion et autres blessures.
- **L'essence et ses vapeurs sont très inflammables et explosives.** Afin de limiter les risques de brûlure, d'explosion et de grave blessures, consultez le manuel du moteur thermique concerné pour les précautions applicables à la manipulation et utilisation de l'essence.
- **Les moteurs thermiques rejettent du monoxyde de carbone, un gaz toxique à la fois incolore et inodore. L'inhalation du monoxyde de carbone peut provoquer des nausées, des évanouissements et la mort.** Ne jamais démarrer ou utiliser un moteur thermique dans un local fermé, même avec les portes ou fenêtres ouvertes. A n'utiliser qu'à l'extérieur.
- **Les surfaces brûlantes risquent de provoquer des brûlures ou des incendies.** Eloignez-vous, ainsi que tous matériaux combustibles, des surfaces brûlantes.
- **Avant toute utilisation, familiarisez-vous avec ce mode d'emploi, ainsi que le mode d'emploi du moteur thermique et des consignes visant l'ensemble du matériel utilisé.** Le non respect de l'ensemble des consignes d'utilisation et de sécurité ci-devant pourrait entraîner des dégâts matériels et/ou de graves lésions corporelles.

Lorsque cela sera nécessaire, la déclaration de conformité CE (890-011-320.10) sera jointe à ce manuel sous la forme d'un livret distinct.

En cas de questions concernant ce produit RIDGID® :

- Consultez votre distributeur RIDGID.
- Consultez les sites [www.RIDGID.com](http://www.RIDGID.com) ou [www.RIDGID.eu](http://www.RIDGID.eu) pour localiser le représentant RIDGID le plus proche.
- Consultez les services techniques de RIDGID par mail adressé à [rttechservices@emerson.com](mailto:rttechservices@emerson.com), ou, à partir des États-Unis et du Canada, en composant le (800) 519-3456.

## Description, caractéristiques techniques et équipements de base

### Description

Les dégorgeoirs haute-pression à moteur thermique RIDGID® sont des machines à jet d'eau portables qui font appel à une combinaison de pression et de flux hydraulique pour curer les conduites d'évacuation des matières grasses, sédiments et racines qu'elles contiennent. Leur tuyau haute-pression est propulsé le long de la canalisation par un jet propulseur situé à l'arrière de la buse de curage. Lorsque le tuyau haute-pression est rattrapé, ce jet propulseur sert à laver les parois de la conduite et à évacuer les débris. Lorsqu'il est engagé, le système de pulsation de la machine facilite la négociation des coudes serrés et des siphons. L'entraînement de la pompe à piston triplex de ces dégorgeoirs est assuré par un moteur à essence.

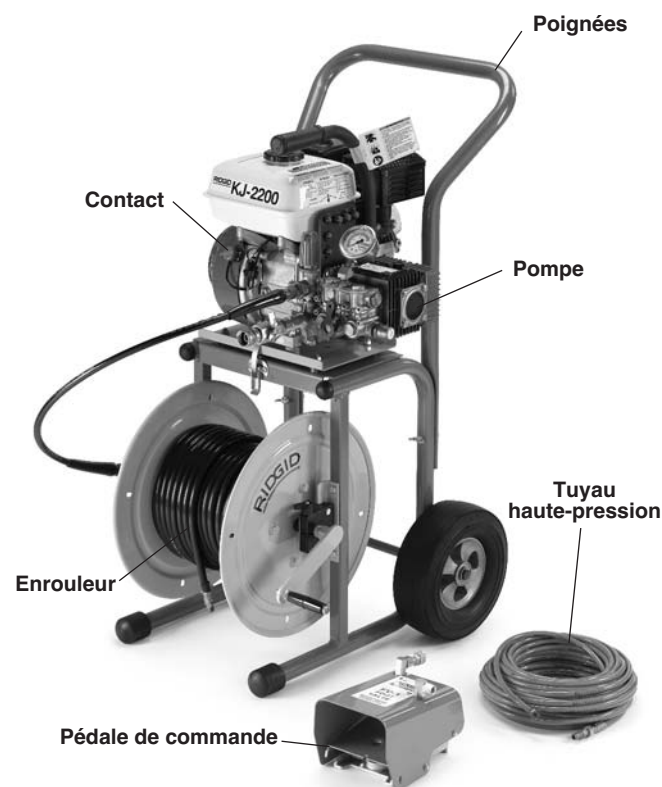


Figure 1 – Dégorgeoir haute-pression KJ-2200



**Caractéristiques techniques**

Dégorgeoir	Puissance moteur (CV)	Pression (PSI / bar)	Débit (GPM / liter)	Ø conduite inch / mm	Poids (sans enrouleur) lbs / kg
KJ-2200	6.5 / 6,5	2200 / 150	2.4 / 9	1 1/4 - 6 / 32 - 152	65 / 30
KJ-3100	16	3000 / 205	5.5 / 20	2 - 10 / 50 - 250	262 / 119

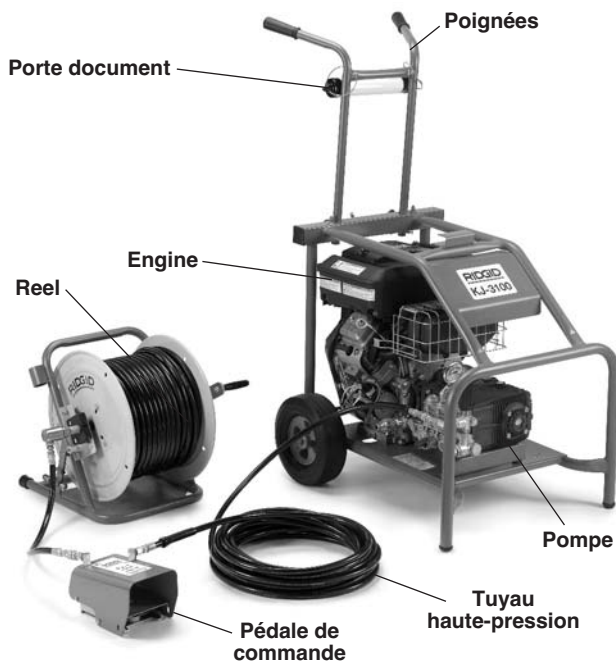


Figure 2 – Dégorgeoir haute-pression KJ-3100



Figure 3 – Numéro de série de la machine

Le numéro de série de l'appareil se trouve sur la plaque signalétique rivetée au cadre de la machine. Les 4 derniers chiffres indiquent le mois et l'année de sa fabrication. (08 = mois, 10 = année).

**Icônes**

- Mode « pression »
- Mode « pulsation »

**Equipements de base**

Les deux types de dégorgeoir haute-pression sont livrés avec les éléments suivants :

- Buses haute-pression adaptées
- Outil de nettoyage de buses
- Pédale de commande FV-1
- Manuel du moteur thermique

Consultez le catalogue RIDGID pour l'équipement spécifique de chaque modèle.

**AVIS IMPORTANT** Cette machine est prévue pour le curage des conduites d'évacuation. Utilisée correctement, elle n'endommagera pas les conduites en bon état de fonctionnement, correctement conçues, construites et entretenues. Face à une conduite d'évacuation en mauvais état, mal conçue, mal construite ou mal entretenue, le processus de curage risque d'être inefficace et d'endommager la conduite. Le meilleur moyen d'apprécier l'état d'une conduite avant son curage est d'y passer une caméra d'inspection. Toute utilisation incorrecte de ce dégorgeoir haute-pression pourrait endommager à la fois le dégorgeoir et la conduite. Cette machine risque d'être incapable de dégager certains blocages.

**Assemblage de la machine**

**⚠ AVERTISSEMENT**

**Respectez le processus d'assemblage suivant afin d'éviter de graves blessures en cours d'utilisation de la machine, et de limiter les risques de l'endommager.**

**Huile moteur**

**AVIS IMPORTANT** Ces dégorgeoirs sont livrés sans huile dans le moteur. Faire tourner le moteur sans huile entraînerait sa défaillance. Ajoutez de l'huile avant sa première mise en route. Reportez-vous au manuel du moteur pour les consignes spécifiques visant le remplissage et la sélection d'huile.

**Huile de pompe et de transmission**

**Pompe :** Retirez le bouchon en tête de la pompe et remplacez-le par le reniflard de puits de jauge. Faire tourner le dégorgeoir haute-pression avec le bouchon en place pourrait endommager les joints de la pompe.

Vérifiez le niveau d'huile selon les consignes de la section *Entretien*.

**Transmission (KJ-3100 uniquement) :** Retirez le bouchon en tête de la transmission et remplacez-le par le reniflard de puits de jauge. Faire tourner le dégorgeoir haute-pressure avec le bouchon en place pourrait endommager les joints de la transmission. Vérifiez le niveau d'huile selon les consignes de la section *Entretien*.

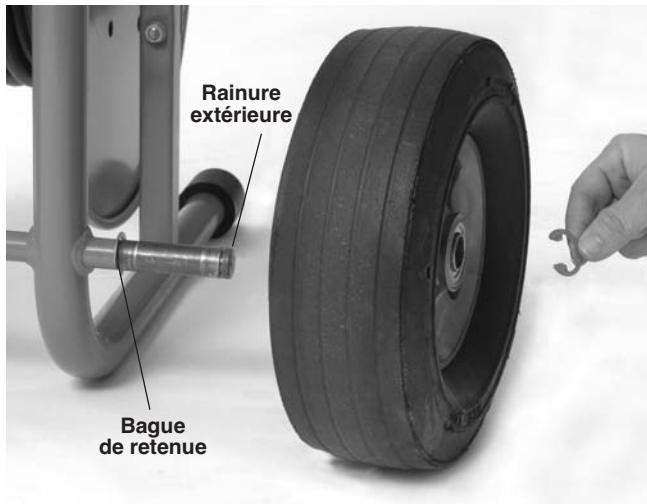


Figure 4 – Assemblage du KJ-2200

### Chariot de transport pour KJ-2200

1. Engagez une bague de retenue dans la rainure intérieure de chaque extrémité de l'axe de roue. (Figure 4.)
2. Enfilez une roue à chaque extrémité de l'axe.
3. Engagez un cerclip sur la rainure extérieure de chaque extrémité de l'axe afin de retenir les roues.
4. Servez-vous des boulons aveugles et écrous fournis pour attacher la poignée au cadre.
5. Posez l'ensemble moteur/pompe sur le cadre en alignant les orifices de son embase sur les broches du chariot. Servez-vous des loquets du chariot pour arrimer l'ensemble moteur/pompe. Assurez-vous que cet ensemble est solidement arrimé.

### KJ-3100 Assemblage de la poignée

1. Introduisez la poignée à travers les deux orifices de la traverse arrière du cadre. (Figure 5.)
2. Introduisez une broche à ressort dans chacun des trous en bout de poignée afin de l'empêcher d'être retirée.
3. Engagez les molettes filetées dans la traverse arrière du cadre. Réglez la poignée à la hauteur voulue, puis serrez les molettes pour la fixer.

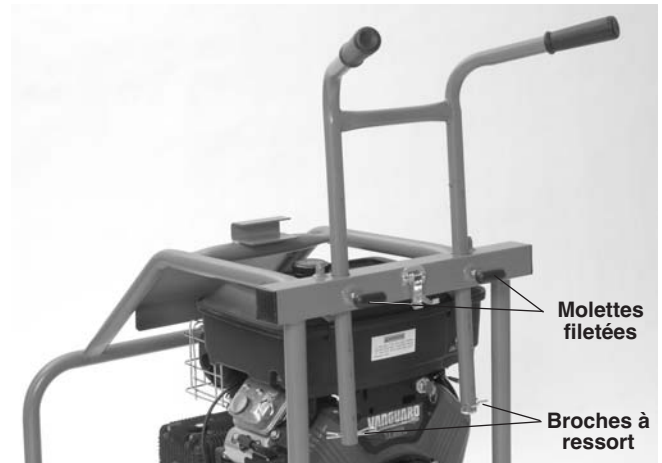


Figure 5 – Assemblage de la poignée du KJ-3100

## Contrôle préalable

### ⚠ AVERTISSEMENT

**Examinez le dégorgeoir avant chaque utilisation afin de pouvoir corriger toute anomalie éventuelle qui pourrait entraîner de graves lésions corporelles et endommager la machine.**

**Portez systématiquement des lunettes de sécurité, des gants et tout autre équipement de protection individuelle approprié lors de l'inspection du dégorgeoir afin de vous protéger contre les produits chimiques et bactéries éventuellement présents.**

1. Vérifiez que la clé de contact du moteur se trouve en position OFF.
2. Éliminez toutes traces d'huile, de graisse et de crasse du matériel, y compris des poignées et commandes. Cela facilitera son inspection et assurera une meilleure prise en main de la machine.
3. Examinez le dégorgeoir haute-pressure et ses accessoires pour :
  - Un bon assemblage de l'ensemble de ses composants
  - Signes de composants endommagés, usés, manquants, désalignés, grippés ou desserrés
  - La présence et la lisibilité des étiquettes de sécurité (Figure 6).
  - Toute autre anomalie qui serait susceptible de nuire à la sécurité et au bon fonctionnement du matériel.

En cas d'anomalie, ne pas utiliser le dégorgeoir avant d'avoir corrigé le problème.



Figure 6A – Etiquettes de sécurité du KJ-2200



Figure 6D – Etiquettes de sécurité du KJ-3100



Figure 6B – Etiquettes de sécurité du KJ-2200

- Nettoyez le filtre/tamis d'arrivée d'eau. Pour ce faire, dévissez le couvercle en fond du filtre. Son encrassement du filtre et l'accumulation de débris peuvent restreindre l'arrivée d'eau à la pompe et limiter les performances de la machine.

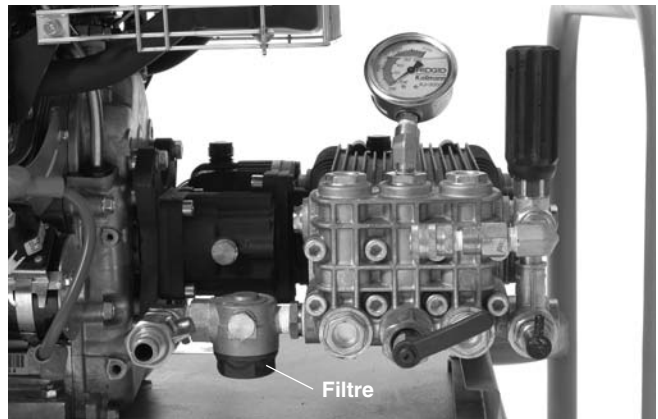


Figure 7 – Filtre/tamis d'arrivée d'eau



Figure 6C – Etiquettes de sécurité du KJ-3100

- Examinez les orifices de la buse haute-pression pour signes de détérioration ou d'obstruction. Les obstructions éventuelles peuvent être éliminées à l'aide de l'outil de nettoyage de buse. Faites attention de ne pas élargir les orifices de buse lors de leur nettoyage. Une buse endommagée ou ayant des orifices élargis peut nuire aux performances du dégergeur et devrait être remplacée.
- Examinez les tuyaux haute-pression et leurs raccords pour signes d'usure ou de détérioration. En cas de plissement, de fissuration de rupture ou d'usure de sa gaine, remplacez immédiatement le tuyau en question. Un tuyau haute-pression endommagé risque d'éclater ou de fuir avec suffisamment de force ou pression pour causer de graves blessures. Les tuyaux et raccords de remplacement devraient avoir une résistance nominale au moins égale à la pression du dégergeur.
- Examinez et entretenez le moteur thermique selon les consignes de son manuel.



8. Vérifiez le niveau de carburant du moteur. Pour accéder au bouchon du réservoir d'essence du KJ-3100, ouvrez le loquet de l'enrouleur et poussez l'enrouleur en avant jusqu'à ce qu'il repose sur le cadre (Figure 8). Au besoin, faites l'appoint d'essence sans plomb. Reportez-vous au manuel du moteur pour de plus amples détails. Prenez les précautions d'usage lors de la manipulation de l'essence. Faites le plein dans un endroit bien ventilé. Ne remplissez pas le réservoir à raz bord et ne laissez pas l'essence se déverser. Assurez-vous que le bouchon de remplissage est bien fermé.



Figure 8 – Accès au réservoir d'essence du KJ-3100

9. Vérifiez le niveau d'huile de la pompe et, le cas échéant, de la transmission. Au besoin, faites l'appoint d'huile selon les consignes de la section *Entretien*.

## Préparation de la machine et du chantier

### ⚠ AVERTISSEMENT



**Afin de vous protéger contre la présence éventuelle de produits chimiques et de bactéries, portez systématiquement des lunettes de sécurité, des gants et tout autre équipement de protection approprié lors de la préparation du dégorgeoir haute-pres-**

**sion. Le port de chaussures antidérapantes à semelles en caoutchouc peut limiter les risques de dérapage sur les sols mouillés.**

**Les moteurs thermiques rejettent du monoxyde de carbone, un gaz toxique à la fois incolore et inodore. L'inhalation du monoxyde de carbone peut provoquer des nausées, des évanouissements et la mort. Ne jamais démarrer ou utiliser un moteur thermique dans un local fermé, même avec les portes ou fenêtres ouvertes. A n'utiliser qu'à l'extérieur.**

**Respectez les procédures suivantes visant la préparation du dégorgeoir haute-pression et du chantier afin de limiter les risques de pénétration cutanée, de brûlure chimique, d'infection, d'inhalation de monoxyde de carbone et autres lésions, et afin d'éviter d'endommager le dégorgeoir lui-même.**

- Examinez le chantier pour vous assurer :
  - D'un éclairage suffisant.
  - De l'absence de liquides, vapeurs ou poussières combustibles qui risqueraient de s'enflammer. Le cas échéant, identifiez et éliminez toutes sources de combustible avant d'intervenir sur le chantier. Les dégorgeoirs haute-pression ne sont pas blindés et peuvent produire des étincelles.
  - De la présence d'un endroit dégagé, propre et sec pour l'installation de la machine et de son utilisateur. Au besoin, asséchez la plate-forme de travail ou rappez-y un plancher en bois ou autre matériau.
  - D'un emplacement à l'extérieur et bien ventilé pour le dégorgeoir haute-pression. Dans la mesure où le dégorgeoir peut être installé à distance, ne jamais l'installer à l'intérieur d'un local, même avec les portes et les fenêtres ouvertes.
  - D'une alimentation d'eau adéquate.
  - D'un passage dégagé permettant de transporter le dégorgeoir haute-pression jusqu'au chantier.
- Examinez la conduite d'évacuation ciblée. Si possible, établissez ses points d'accès possibles, sa ou ses section(s), sa ou ses longueur(s), la distance à parcourir avant d'arriver à la fosse ou à l'égoût, la composition du blocage, la présence de produits chimiques, etc. En présence de produits chimiques, il sera nécessaire de contacter le fabricant des produits en question afin de déterminer les mesures de sécurité applicables.
 

Au besoin, déposez tout élément sanitaire (cuvette de W.C., etc.) pour pouvoir accéder directement à la conduite d'évacuation. Ne jamais enfilez le tuyau haute-pression du dégorgeoir via un élément sanitaire siphonné, car cela risquerait d'endommager à la fois le tuyau et l'élément sanitaire.
- Choisissez le matériel de curage le mieux adapté à votre application en vous reportant à la section Caractéristiques techniques. D'autres types de dégor-

geoirs mécaniques et de dégorgeoirs haute-pression sont disponibles dans le catalogue RIDGID et sur les sites [www.RIDGID.com](http://www.RIDGID.com) ou [www.RIDGID.eu](http://www.RIDGID.eu).

4. Assurez-vous de l'inspection préalable appropriée de l'ensemble du matériel.
5. Examinez les lieux afin de déterminer s'il sera nécessaire d'ériger des barrières de sécurité afin d'éloigner le public. La présence d'autres individus à proximité risquerait de distraire l'utilisateur. Lors des travaux sur la voie publique, prévoyez des cônes ou des barricades pour signaler votre présence aux automobilistes.
6. Au besoin, prévoyez des bâches ou autres moyens de protéger les lieux contre les éclaboussures éventuelles, car le processus de curage est souvent salissant.
7. Amenez le dégorgeoir haute-pression jusqu'à l'emplacement extérieur prévu via le chemin dégagé prévu. S'il est nécessaire de soulever la machine, utilisez les méthodes de manutention appropriées. Faites particulièrement attention en montant et en descendant les escaliers, notamment en ce qui concerne les risques de dérapage. Le port de chaussures antidérapantes aidera à éviter les chutes.

**Alimentation d'eau**

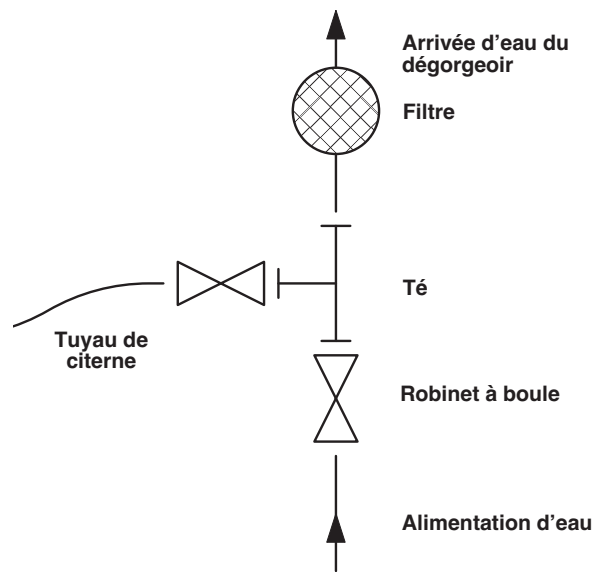
Assurez-vous que le réseau d'alimentation utilisé dispose d'un débit suffisant pour le dégorgeoir haute-pression. Amenez un tuyau d'arrosage depuis le point d'eau jusqu'au dégorgeoir. Utilisez la section de tuyau la plus grosse possible sur la plus courte distance possible. Ce tuyau devrait avoir un diamètre intérieur minimum de 3/4" / 19 mm. Prévoyez également un dispositif à clapet anti-retour approprié afin de respecter la législation en vigueur. Ouvrez le robinet d'eau et mesurez le temps nécessaire au remplissage d'un sceau propre de cinq gallons / 18,9 l de capacité. Consultez le tableau suivant pour la durée de remplissage maximale applicable à chaque modèle de dégorgeoir.

Dégorgeoir haute-pression	Débit nominal (GPM / l)	Durée maxi de remplissage d'un sceau de 5 gallons / 18,9 l
KJ-2200	2.4 / 9	125 secondes
KJ-3100	5.5 / 20	55 secondes

Un débit d'eau insuffisant empêchera le dégorgeoir haute-pression d'atteindre sa pression nominale et pourrait endommager sa pompe. Examinez l'eau dans le sceau. La présence éventuelle de sédiments ou débris pourrait user la pompe prématurément, obstruer les filtres et les buses haute-pression, et nuire aux performances du dégorgeoir. Ne pas utiliser d'eau en provenance d'étangs, de lacs ou autres sources potentiellement contaminées.

Parmi les solutions possibles en cas de débit insuffisant se trouvent le montage d'un raccord multiple permettant l'utilisation de plusieurs tuyaux d'amenée ou l'emploi d'une citerne d'eau.

Lors de l'utilisation d'une citerne à eau, effectuez son raccordement selon le schéma ci-dessous (Figure 9) : Le tuyau de relevage allant de la branche perpendiculaire du Té à la citerne peut être soit plongé directement dans la citerne ou branché sur son robinet de sortie, mais il ne doit jamais se trouver à plus de 5" / 12,7 cm au-dessus du fil d'eau d'arrivée du dégorgeoir par risque de désamorçage de la pompe.



**Figure 9 – Raccordement d'une citerne à eau**

Remplissez le réservoir avant de démarrer le dégorgeoir. Lors du démarrage, coupez l'arrivée d'eau. Dès que le dégorgeoir démarre, ouvrez le robinet d'arrivée. Contrôlez le niveau d'eau du réservoir et, au besoin, interrompez le curage assez longtemps pour lui permettre de se remplir à nouveau. Ne laissez pas le niveau d'eau descendre plus bas que l'embout du tuyau.

L'utilisation d'eau chaude peut améliorer le nettoyage. Ne pas utiliser d'eau d'une température de plus de 140°F / 60°C, car cela pourrait entraîner l'ouverture du clapet de surchauffe de la pompe. Si vous utilisez de l'eau chaude, prévoyez les équipement de protection individuelle appropriés afin de limiter les risques de brûlure.

Par temps froid, il faut prendre les précautions nécessaires pour éviter que l'eau gèle dans la pompe, car cela pourrait endommager la pompe.

Assurez-vous que le robinet d'arrivée du dégorgeoir est fermé avant d'y raccorder le tuyau d'alimentation.

### Préparation de la conduite d'évacuation

Lors des curages effectués via un regard, trou d'homme ou autre point d'entrée de grande taille, prévoyez les gaines et raccords nécessaires au guidage du tuyau haute-pression jusqu'au point d'entrée de la conduite. Cela évitera non seulement le fouettement du tuyau dans l'espace ouvert, mais aussi sa protection.



Figure 10 – Prolongement du point d'accès de la conduite jusqu'au point d'utilisation

### Préparation du tuyau haute-pression

Le routage des tuyaux haute-pression nécessite des précautions particulières. Leur passage sur des surfaces rugueuses, tranchantes, etc. risque d'endommager leur gaine, surtout lorsque le dégorgeoir se trouve en mode « pulsation ». Le simple fait d'éviter de dérouler plus de tuyau haute-pression que nécessaire aidera à limiter sa détérioration.

1. Sélectionnez la taille de tuyau haute-pression la mieux adaptée à la conduite d'évacuation visée. Il est généralement déconseillé de connecter deux tuyaux haute-pression l'un après l'autre, car le manque de flexibilité du raccord risque de les empêcher de franchir les coudes serrés. *Se reporter au tableau de sélection des tuyaux haute-pression.*
2. Si besoin est, retirez l'enrouleur du tuyau haute-pression du cadre moteur/pompe et posez-le à moins d'un mètre du point d'accès de la conduite, l'idée étant de minimiser la longueur de tuyau exposée afin de limiter sa détérioration. Si l'enrouleur ne peut pas être amené à moins d'un mètre de la conduite, pro-

longez celle-ci à l'aide de tuyaux et raccords de diamètre adapté.

3. Emboîtez le flexible du dégorgeoir sur le raccord d'arrivée de la pédale de commande en utilisant du ruban Teflon pour l'étancher, puis positionnez la pédale de commande pour pouvoir y accéder. Vous devez pouvoir contrôler le tuyau haute-pression du dégorgeoir en même temps que la pédale de commande.
4. Raccordez le flexible venant de l'enrouleur au raccord de sortie de la pédale de commande.

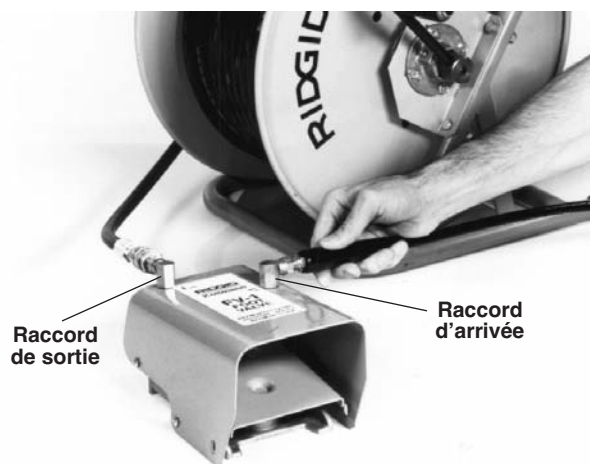


Figure 11 – Raccordement de la pédale de commande

5. Marquez le tuyau haute-pression à une certaine distance de la buse pour indiquer la proximité du point de sortie de la buse lors de son retrait. Cela évitera la sortie imprévue et le fouettement éventuel de la buse. Ce marquage sera fait en fonction de la configuration de la conduite d'évacuation, mais ne devra en aucun cas se trouver à moins de 4' / 1,2 m de la buse.
6. Retirez la buse du tuyau haute-pression, puis réintroduisez le tuyau dans la conduite d'évacuation. Rouvrez le robinet d'alimentation d'eau afin de purger l'air du système et de rincer l'ensemble de tous débris éventuels. Laissez l'eau courante couler pendant au moins 2 minutes.
7. Fermez le robinet d'arrivée.
8. Sélectionnez la buse appropriée. N'utilisez que les buses spécifiquement prévues pour le modèle de dégorgeoir haute-pression utilisé. L'utilisation de buses inadaptées pourrait nuire aux performances du dégorgeoir par manque de pression ou de débit, voire l'endommager en raison d'une pression excessive. *Vérifiez la propreté et le tarage des orifices de buse en vous reportant au tableau de sélection de buse.*

Si vous utilisez une buse type RR3000 pour curer une canalisation de plus de 6" / 152 mm de section, il sera nécessaire de prévoir le manchon correspondant. L'utilisation de la buse RR300 dans une conduite de plus de 6" / 152 mm sans ce manchon ou dans des conduites de plus de 9" / 229 mm de section risquerait de permettre un retournement de la buse vers l'utilisateur qui, à sa sortie de la conduite, pourrait provoquer de graves blessures (Figure 12).

vous que l'eau sort librement de la buse, puis fermez le robinet.



**Figure 12 – Buse RR3000 avec manchon**

9. Serrez la buse en bout du tuyau fermement à la main, mais sans serrer excessivement. Un serrage excessif de la buse risque de l'endommager et nuire aux performances.
10. Introduisez le tuyau avec buse en bout dans la conduite, puis ouvrez le robinet d'arrivée d'eau. Assurez-

### Tableau de sélection des tuyaux haute-pression

Applications		Ø conduite inch / mm	Ø buse inch / mm	Ø int. tuyau inch / mm	Ø ext. tuyau inch / mm
KJ-2200	Lavabos, urinaux, petites conduites.	1/4 - 2 / 32 - 50	1/8 / 3,2 NPT	1/8 / 3,2	3/16 / 4,8
	Eviers, bassins, colonnes, évacuations secondaires, dégorgements, événements.	2 - 3 / 50 - 76	1/8 / 3,2 NPT	3/16 / 4,8	1/4 / 6,4
	Siphons de sol et de douche, évacuations secondaires, siphons panier.	3 - 4 / 76 - 101	1/4 / 6,4 NPT	1/4 / 6,4	1/2 / 13
	Evacuations secondaires et principales.	4 - 6 / 101 - 152	1/4 / 6,4 NPT	1/4 / 6,4	1/2 / 13
KJ-3100	Colonnes, dégorgements, événements.	2 - 3 / 50 - 76	1/8 / 3,2 NPT	3/16 / 4,8	1/4 / 6,4
	Siphons de sol, évacuations secondaires, siphons panier.	3 - 4 / 76 - 101	1/4 / 6,4 NPT	3/8 / 9,5	5/8 / 16
	Evacuations secondaires et principales.	4 - 10 / 101 - 250	1/4 / 6,4 NPT	3/8 / 9,5	5/8 / 16

### Tableau de sélection des buses haute-pression

KJ-2200	<b>Filetage, inch / mm</b>	1/8 / 3,2 NPT	1/4 / 6,4 NPT
	<b>Ø int. tuyau, inch / mm</b>	1/8 & 3/16 / 3,2 & 4,8	1/4 / 6,4
	<b>Ø ext. tuyau, inch / mm</b>	3/16 & 1/4 / 4,8 & 6,4	1/2 / 13
	Comprend trois jets de propulsion pour les curages longue distance. Cette buse convient à la majorité des applications.	<b>H-61</b>	<b>H-71</b>
	Il utilise trois jets de propulsion et un jet de curage pour pénétrer les amas de graisse ou de boue. Le jet de curage perce un petit trou dans le blocage pour permettre à la tête de buse de le suivre. Il s'avère aussi très efficace pour la pulvérisation des blocs de glace.	<b>H-62</b>	<b>H-72</b>
	Sa tête orientable permet de négocier les coudes serrés. Cette buse est équipée de trois jets de propulsion.	<b>H-64</b>	
KJ-3100	Cette buse rotative sert à éliminer les matières grasses et les blocages.	<b>H-65</b>	<b>H-75</b>
	<b>Filetage, inch / mm</b>	1/8 / 3,2 NPT	1/4 / 6,4 NPT
	<b>Ø int. tuyau, inch / mm</b>	3/16 / 4,8	3/8 / 9,5
	<b>Ø ext. tuyau, inch / mm</b>	1/4 / 6,4	5/8 / 16
	Comprend quatre (4) jets de propulsion pour les curages longue distance. Cette buse convient à la majorité des applications.	<b>H-101</b>	<b>H-111</b>
	Il utilise trois jets de propulsion et un jet de curage pour pénétrer les amas de graisse ou de boue. Le jet de curage perce un petit trou dans le blocage pour permettre à la tête de buse de le suivre. Il s'avère aussi très efficace pour la pulvérisation des blocs de glace.	<b>H-102</b>	<b>H-112</b>
	Sa tête orientable permet de négocier les coudes serrés. Cette buse est équipée de quatre (4) jets de propulsion.	<b>H-104</b>	
Cette buse rotative sert à éliminer les matières grasses et les blocages.	<b>H-105</b>	<b>H-115</b>	
Cette buse sert à déloger les racines et autres types de blocage. NOTA : Prévoir le manchon prévu pour le curage des conduites d'évacuation de 8 pouces / 200 mm de diamètre.		<b>RR3000</b>	



## Consignes d'utilisation

### ⚠ AVERTISSEMENT



**Portez systématiquement des lunettes de sécurité afin de protéger vos yeux contre les risques de projection de débris. Prévoyez aussi les autres équipements de protection individuelle en fonction des conditions de travail anticipées.**

**Ne jamais faire fonctionner ce type de dégorgeoir lorsque l'embout de son tuyau haute-pression se trouve à l'extérieur d'un conduit d'évacuation. Le fouettement éventuel du tuyau pourrait provoquer des blessures contondantes, et son jet pourrait pénétrer la peau pour provoquer de graves lésions sous-cutanées.**

**Tout liquide sous haute pression est susceptible de pénétrer la peau et provoquer de graves lésions allant jusqu'à l'amputation. Ne jamais diriger le jet vers autrui ou vers des animaux.**

**N'utilisez pas ce type de dégorgeoir à une pression supérieure à sa pression nominale ou à une température d'eau d'arrivée supérieure à 140°F / 60°C, car en plus d'endommager le dégorgeoir, cela augmenterait les risques de blessure et de brûlure.**

**Un seul individu doit contrôler à la fois le processus de curage haute-pression et la pédale de commande. Utilisez systématiquement la pédale de commande. En cas de sortie accidentelle du tuyau haute-pression durant le processus de curage, l'utilisateur doit pouvoir couper l'arrivée d'eau afin de limiter les risques de fouettement du tuyau et les blessures contondantes et pénétrantes que celui-ci pourrait provoquer.**

**Prévoyez systématiquement les équipements de protection individuelle nécessaires lors de la manipulation ou utilisation du matériel de curage. Les conduites d'évacuation peuvent renfermer des produits chimiques, des bactéries et autres substances potentiellement toxiques, infectieuses, irritantes ou autrement dangereuses pour la santé. Aux équipements de protection individuelle obligatoires (lunettes de sécurité et gants de travail) peuvent s'ajouter, selon le cas, des gants en latex ou caoutchouc, une visière intégrale, des lunettes étanches, des vêtements de protection, un respirateur et des chaussures de sécurité.**

**Respectez l'ensemble des consignes d'utilisation de la machine afin de limiter les risques de blessure associés au fouettement des tuyaux haute-pression, à la pénétration d'un liquide sous pression, à l'inhalation de monoxyde de carbone, etc.**

1. Assurez-vous d'une bonne préparation de la machine et du chantier, ainsi que de l'absence de tiers et autres distractions potentielles. Si la machine elle-même se trouve éloignée du point d'entrée de la conduite, il sera nécessaire de mettre un assistant à ses commandes.
2. Introduisez le tuyau haute-pression et sa buse dans la conduite d'évacuation sur une distance d'au moins un mètre afin d'éviter qu'ils ressortent et se mettent à fouetter lors du démarrage de la machine.
3. Vérifiez que le levier de pulsation est tourné complètement à gauche, c.-à-d., en position « Pression » (Figure 16).
4. Ouvrez le robinet d'arrivée d'eau. Ne jamais démarrer le moteur avant d'avoir ouvert le robinet d'arrivée d'eau, car cela pourrait endommager la pompe.
5. Appuyez sur la pédale de commande afin de libérer la pression suffisamment pour permettre au moteur de démarrer. Assurez-vous que l'eau s'écoule librement de la buse. Démarrez le moteur selon les consignes de son manuel, puis laissez-le réchauffer.

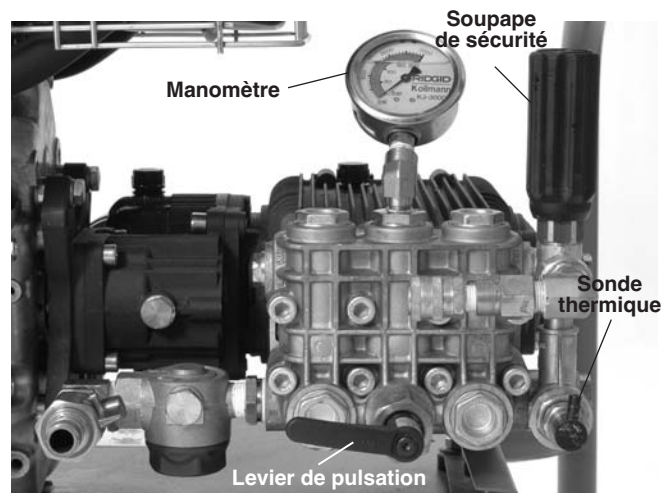


Figure 13 – Commandes

6. Tout en contrôlant le manomètre, tournez la soupape de sécurité (en sens horaire pour augmenter la pression, en sens anti-horaire pour la diminuer) jusqu'à obtenir la pression voulue. Ne jamais dépasser la pression nominale de la machine. Ne jamais forcer la soupape de sécurité ou utiliser des pinces pour la tourner. Cela endommagerait la soupape de sécurité.

Dégorgeoir	Pression nominale, psi / bar
KJ-2200	2200 / 150
KJ-3100	3000 / 205

Si le dégorgeoir n'atteint pas la pression nominale ou ne la tient pas de manière constante :

- Vérifiez la position du levier d'accélérateur du moteur.
  - Assurez-vous que le robinet d'arrivée d'eau de la machine et de tout autre robinet du système d'alimentation d'eau sont complètement ouverts.
  - Tournez la soupape de sécurité en sens horaire afin d'augmenter la pression.
  - Vérifiez que le levier du système de pulsation est en position « Pression ».
  - Basculez le levier du système de pulsation d'une extrémité à l'autre à plusieurs reprises afin de purger l'air du système.
  - Examinez le système pour signes de fuites éventuelles en faisant attention de ne pas être blessé dans le processus. Le cas échéant, arrêtez le dégorgeoir avant de les réparer.
  - Arrêtez le dégorgeoir avant de contrôler le filtre et le tamis d'arrivée d'eau pour vous assurer qu'ils ne sont pas colmatés.
  - Assurez-vous que le dégorgeoir dispose d'un débit d'eau suffisant.
  - Arrêtez le dégorgeoir et fermez son robinet d'arrivée d'eau. Retirez la buse et nettoyez ses orifices à l'aide de l'outil de nettoyage prévu.
  - Faites tourner le dégorgeoir sans buse en tête du tuyau haute-pression afin d'en évacuer l'air ou les débris éventuels. N'oubliez pas d'arrêter le dégorgeoir avant de retirer ou remonter la buse.
7. Positionnez-vous de manière appropriée.
- Assurez-vous de pouvoir accéder à la pédale de commande qui assure les fonctions marche/arrêt de la machine, mais n'appuyez pas encore sur la pédale.
  - Assurez-vous de pouvoir maintenir votre équilibre à tout moment et de ne jamais avoir à vous pencher sur la machine ou l'enrouleur.
  - Vous devez pouvoir garder une main sur le tuyau haute-pression à tout moment afin de pouvoir le contrôler et le soutenir.
  - Vous devez pouvoir atteindre l'enrouleur afin de rembobiner le tuyau.
- Cette position vous permettra d'assurer le contrôle du tuyau haute-pression du dégorgeoir.



Figure 14 – Position de travail appropriée

### Curage de la conduite d'évacuation

Lors du curage d'une conduite d'évacuation, le tuyau haute-pression y est généralement introduit sur toute la longueur, puis lentement ramené. Cela permet à l'eau sous pression dirigée vers les parois de la conduite de les décoller.

Retirez la goupille de verrouillage de l'enrouleur. Après avoir introduit au moins un mètre de tuyau dans la conduite, et tout en tenant une main sur le tuyau pour le contrôler, appuyez sur la pédale de commande. Les jets propulseurs de la buse aideront à faire avancer le tuyau le long de la conduite. Faites avancer le tuyau aussi loin que nécessaire pour assurer le curage voulu. Si le tuyau cesse d'avancer, c'est qu'il a rencontré un obstacle quelconque.

Si la buse n'arrive pas à franchir un obstacle (coude, siphon, blocage, etc.) :

- Donnez quelques coups secs en va-et-vient au tuyau.
- Tournez le tuyau d'un quart de tour pour le réorienter vers le changement de direction. Une fois le coude franchi, ramenez le tuyau à sa position initiale afin d'éviter qu'il se plisse (Figure 15).
- Engagez le mode « □□□□ » selon les indications de la section suivante.
- Servez-vous d'un flexible à siphons ou autre tuyau de petit diamètre.

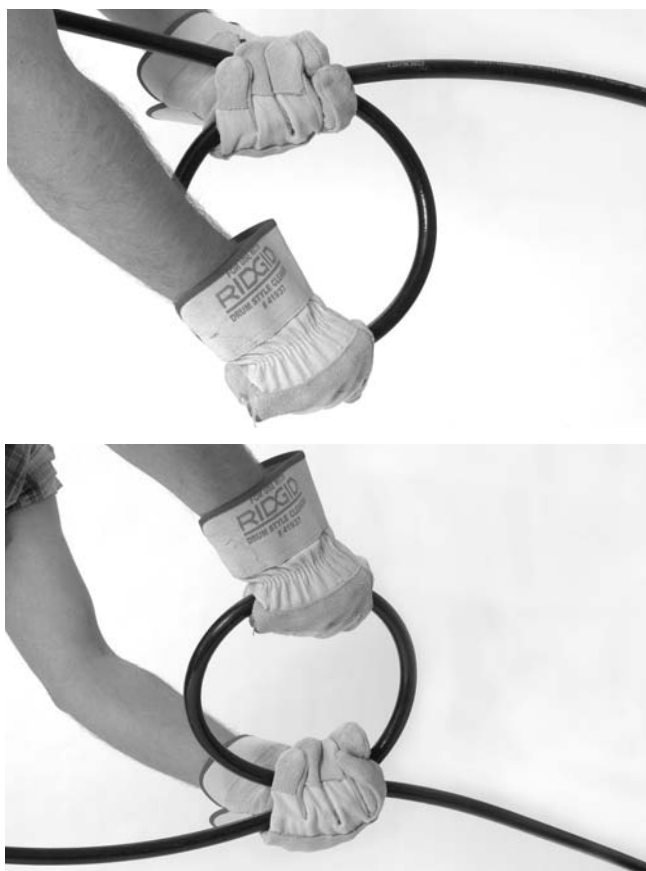


Figure 15 – Rotation du tuyau haute-pression

Une fois l'obstacle franchi, prenez le temps de parfaire le curage de cette partie de la conduite avant d'aller plus loin. Faites avancer la buse sur environ un mètre au-delà du blocage initial, puis ramenez-la lentement en arrière. Répétez ce processus à plusieurs reprises avant de reprendre le curage de la conduite en aval.

Contrôlez le niveau d'eau dans la conduite. Si celui-ci devient trop élevé, il sera nécessaire d'arrêter le dégorgeoir et d'attendre qu'il s'abaisse. Les dégorgeoirs haute-pression fonctionnent mieux dans une conduite vide. Ne jamais laisser le moteur du dégorgeoir tourner pendant de longues périodes sans appuyer sur la pédale de commande. Cela aurait pour résultat le réchauffement de l'eau en circuit fermé et provoquerait l'ouverture du clapet thermique de la pompe.

Une fois que la buse a été introduite dans la conduite sur la distance voulue, retirez-la lentement, voire de l'ordre de 1' / 30 cm par minute pour les conduites très encrassées. Contrôlez le tuyau haute-pression d'une main, tout en le rembobinant sur l'enrouleur de l'autre. Assurez-vous que la buse ne sorte pas du conduit tant que l'eau coule, car cela pourrait lui permettre de fouetter et de provoquer des contusions et des pénétrations d'eau cutanées. Tenez le tuyau haute-pression en main jusqu'à l'apparition du mar-

quage signalant la proximité de la buse, puis lâchez la pédale de commande et coupez l'arrivée d'eau.

Arrêtez le moteur selon les consignes de son manuel, puis appuyez sur la pédale de commande pour libérer la pression. Ne jamais laisser la machine sous pression. Au besoin, changez de buse et répétez le processus. En effet, plusieurs passes sont recommandées afin d'assurer le parfait curage de la conduite.

En fin d'opération, et une fois le dégorgeoir arrêté, retirez la buse et ouvrez l'arrivée d'eau afin de rincer la pompe et le tuyau haute-pression. Par temps froid, vidangez immédiatement le système afin qu'il ne soit pas endommagé par le gel. Reportez-vous à la section *Stockage de la machine* pour les consignes de protection contre le gel.

### Utilisation du mode « Pulsation »

Lorsque la simple manipulation du tuyau haute-pression ne suffit pas à franchir un coude ou autre obstacle, il convient d'utiliser le mode « pulsation ». Ce mode opératoire produit d'importantes variations de pression qui provoquent la vibration du tuyau pour en faciliter l'avancement.

1. Tournez le levier de pulsations en sens horaire jusqu'à la position « pulsation ». Lorsque la machine est en mode « pulsation », son manomètre indiquera une pression inférieure à la pression maximale, mais ceci est normal.

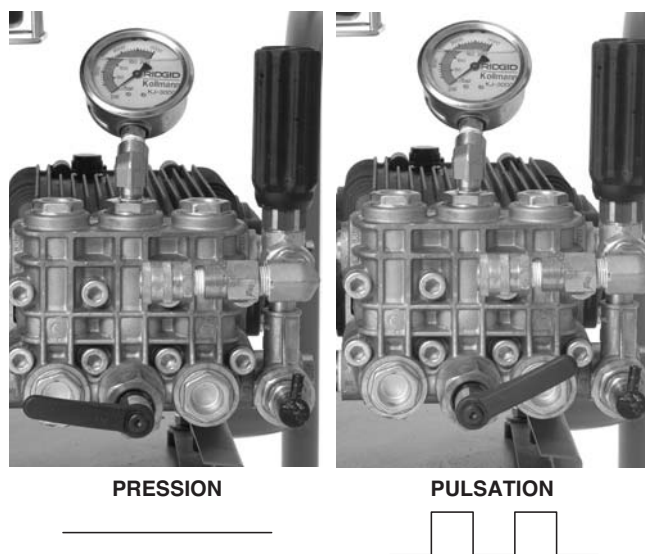


Figure 16 – Position du levier de pulsation

2. Au besoin, utilisez des va-et-vient secs et la rotation du tuyau haute-pression pour aider la buse à franchir l'obstacle.
3. Une fois l'obstacle franchi, ramenez le levier de pulsation à la position « pression ». Ne laissez pas le dégorgeoir en position de pulsation plus longtemps que nécessaire au franchissement de l'obstacle. Trop



sollicité, le mode « pulsation » risque d'user prématurément le tuyau haute-pression et le système.

### Utilisation des dégorgeoirs haute-pression en tant que laveurs haute-pression

Les dégorgeoirs haute-pression RIDGID peuvent aussi servir de laveurs haute-pression en y ajoutant le kit de lavage haute-pression. Le fonctionnement de la machine en tant que laveur haute-pression est semblable à son fonctionnement en tant que dégorgeoir, et les consignes d'utilisation correspondantes devraient être appliquées en conjonction avec les consignes suivantes :

1. Trouvez un lieu de travail approprié.
2. Assurez-vous que l'ensemble du matériel a été préalablement inspecté.
3. Vissez le pistolet de lavage sur son tuyau pression. Utilisez toujours un tuyau pression d'une résistance au moins égale à la pression maximale du dégorgeoir. Servez-vous d'une pâte à joints pour étancher les filetages et éviter les fuites.
4. Vissez le tuyau pression du laveur sur la sortie haute-pression du dégorgeoir. Assurez-vous du serrage complet des deux raccords du tuyau pression afin d'éviter qu'il ne se déboîte lorsqu'il est mis sous pression.
5. Raccordez le réseau d'adduction d'eau au dégorgeoir comme indiqué précédemment.
6. Ouvrez le robinet d'arrivée d'eau et appuyez sur la gâchette du pistolet de lavage jusqu'à ce que l'eau s'en écoule afin de purger l'air du système. Ne jamais démarrer le moteur avec l'arrivée d'eau fermée. Cela pourrait endommager la pompe.
7. Vérifiez que le levier de pulsation se trouve bien en position « pression ».
8. Réglages du pistolet de lavage – Le fait de tourner la buse permet de modifier le jet d'eau pour aller d'un jet concentré à un jet en éventail. La pression de lavage se règle en tirant la buse en avant pour diminuer la pression et en la ramenant en arrière pour l'augmenter. Assurez-vous que la buse se trouve ramenée à la position haute pression avant de démarrer la machine.



Figure 17 – Réglages du pistolet de lavage

9. Verrouillage de la gâchette – Un doigt de verrouillage est prévu au dos de la gâchette. Rabattez ce doigt

pour verrouiller la gâchette lorsque le pistolet ne sert pas.

10. Avant de démarrer le moteur, dirigez le pistolet dans une direction hors danger, puis appuyez sur la gâchette afin de dépressuriser le dégorgeoir. Démarrez le moteur selon le processus indiqué dans son manuel. Laissez réchauffer le moteur. Lâchez la gâchette dès que le moteur démarre.
11. Avec la buse du pistolet de lavage toujours orientée dans une direction hors danger, appuyez sur sa gâchette. Tournez la soupape de sécurité tout en contrôlant le manomètre jusqu'à obtenir la pression voulue. Ne pas dépasser la pression nominale de la machine. Lâchez la gâchette du pistolet de lavage.

### Lavage haute-pression

1. Tenez le pistolet des deux mains lors du lavage haute-pression afin de mieux le contrôler et le diriger. Ne jamais diriger le jet du pistolet de lavage vers autrui. La pression élevée du liquide est suffisante pour pénétrer la peau et provoquer de graves lésions. Afin de limiter les risques de choc électrique, ne jamais diriger le jet vers du matériel ou installations électriques.
2. Servez-vous de la gâchette pour contrôler le débit d'eau. Faites attention lors de l'utilisation du laveur haute-pression, car le fait de tenir sa buse trop près d'une surface risque d'endommager cette dernière. Faites un petit essai dans un endroit caché afin de vous assurer que les réglages sont convenables.
3. Ne laissez pas tourner la machine trop longtemps sans appuyer sur la gâchette. Lorsque la gâchette est lâchée, l'eau recircule dans la pompe et s'échauffe. Cela risque de provoquer l'activation de la sonde thermique.
4. En fin de lavage, lâchez la gâchette et arrêtez le moteur selon les indications de son manuel. Appuyez à nouveau sur la gâchette afin de dépressuriser le système. Ne jamais laisser le système sous pression.

### Injecteur de produit de lavage

1. Pour utiliser l'injecteur de produit de lavage, dévissez le tuyau pression du pistolet de lavage à la sortie de la machine, puis remplacez-le par l'injecteur en faisant attention d'orienter sa flèche dans le sens d'écoulement. Utilisez de la pâte à joints pour étancher le filetage et éviter les fuites. Remontez le tuyau pression à la sortie de l'injecteur.
2. Raccordez le tuyau de relevage sur l'injecteur, puis immergez son embout tamisé dans le récipient de produit de lavage. N'utilisez que des produits de



lavage spécialement conçu pour les laveurs haute-pression, et suivez les consignes du fabricant du produit de lavage utilisé. Ne jamais pulvériser de produits inflammables ou toxiques. Les produits de lavage inadaptés, les solvants et autres produits chimiques peuvent endommager le dégorgeoir et provoquer de graves blessures corporelles.

3. Ce système ne débite le produit de lavage que lorsque le pistolet est réglé à basse pression. Pour ce faire, tirez la buse vers l'avant jusqu'à la position basse pression.
4. Le débit de produit de lavage peut être modulé en cours d'opération en tournant la chemise de l'injecteur. Tournez-le en sens anti-horaire pour diminuer le débit, et en sens horaire pour l'augmenter.
5. En fin d'utilisation du produit de lavage, retirez le tamis du récipient et mettez-le dans un sceau d'eau propre afin de vidanger le système.

## Consignes d'entretien

### ⚠ AVERTISSEMENT

**Avant toute intervention, coupez le contact et débranchez les fils de bougie du moteur afin d'éviter les risques de démarrage intempestif. Appuyez sur la pédale de commande ou sur la gâchette du pistolet de lavage afin de dépressuriser le système.**

**Portez systématiquement des lunettes de sécurité et des gants lors de l'entretien de la machine. Ceux-ci aideront à vous protéger contre les produits chimiques et les bactéries.**

### Nettoyage

Nettoyez le tuyau haute-pression aussi souvent que nécessaire avec de l'eau chaude savonneuse et/ou des désinfectants. Protégez le moteur et le système électrique de la machine contre toute pénétration d'eau éventuelle. Ne pas nettoyer l'appareil avec de l'eau sous pression. Essuyez la machine à l'aide d'un chiffon humide.

### Moteur thermique

Assurez l'entretien du moteur selon les consignes du manuel livré avec l'appareil.

### Lubrification de la pompe

Vérifiez le niveau d'huile de la pompe avant chaque utilisation. Posez le dégorgeoir de niveau. Essuyez le pourtour du puits de jauge pour en éliminer toutes traces de crasse et de débris, puis retirez la jauge pour vérifier le niveau d'huile. Au besoin, faites l'appoint avec une huile non détergente type SAE 30W. Ne pas trop remplir la pompe. Réinstallez la jauge.

Vidangez l'huile de la pompe après les 50 premières heures de fonctionnement, puis toutes les 500 heures suivantes. Avec la pompe encore chaude suite à l'utilisation du dégorgeoir, retirez le bouchon de vidange en bas de la pompe et vidangez l'huile dans un récipient approprié. Réinstallez le bouchon, puis remplissez la pompe avec environ 32 oz / 0,9 kg d'huile non détergente type SAE 30W en vérifiant le niveau à la jauge.

### Lubrification de la transmission

Vérifiez le niveau d'huile de la transmission avant chaque utilisation. Posez le dégorgeoir de niveau. Essuyez le pourtour du puits de jauge pour en éliminer toutes traces de crasse et de débris, puis retirez la jauge pour vérifier le niveau d'huile. Au besoin, faites l'appoint avec une huile de transmission type SAE 90W. Ne pas trop remplir la transmission. Réinstallez la jauge.

Vidangez la transmission à intervalles de 500 heures. Avec la transmission encore chaude suite à l'utilisation du dégorgeoir, retirez le bouchon de vidange en bas de la transmission et vidangez l'huile dans un récipient approprié. Réinstallez le bouchon, puis remplissez la transmission avec de environ 8 oz / 0,2 kg d'huile de transmission type SAE 90W en vérifiant le niveau à la jauge.

### Préparation de la pompe pour un stockage hivernal

**AVIS IMPORTANT** Si le dégorgeoir doit être stocké à des températures de 32°F / 0°C ou moins, il doit être correctement préparé. Si l'eau gèle à l'intérieur de la pompe, celle-ci pourrait être endommagée.

Il existe deux méthodes d'hivernation des dégorgeoirs haute-pression. La première est d'ouvrir tous les robinets du système et de le passer à l'air comprimé afin d'en chasser toute eau résiduelle. Cette méthode peut également servir à éliminer l'eau des tuyaux haute-pression.

La seconde méthode consiste à utiliser de l'antigel type RV (sans éthylène glycol). Ne jamais mettre d'antigel à l'éthylène glycol dans la pompe du dégorgeoir, car il est interdit de renvoyer de l'éthylène glycol dans les réseaux d'eaux usées.

1. Branchez une section de tuyau d'arrosage d'un mètre de long sur le robinet d'arrivée d'eau, puis ouvrez le robinet.
2. Immergez l'autre extrémité du tuyau d'arrosage dans un bidon d'antigel type RV.
3. Enlevez la buse de l'extrémité du tuyau haute-pression.
4. Démarrez le dégorgeoir et laissez-le tourner jusqu'à ce que l'antigel sorte du tuyau haute-pression.

## Accessoires

### ⚠ AVERTISSEMENT

Afin de limiter les risques de grave blessure corporelle, utilisez exclusivement les accessoires spécifiquement conçus pour les dégorgeoirs haute-pression RIDGID tels que ceux indiqués ci-après. L'utilisation d'accessoires prévus pour d'autres types d'appareils peuvent s'avérer dangereux s'ils sont utilisés en conjonction avec les dégorgeoirs haute-pression RIDGID.

### Buses et tuyaux pour dégorgeoir haute-pression KJ-2200

Réf.	Des.	Description	Ø int. inch / mm	Ø ext. inch / mm
64772	H-61	Buse de propulsion Ø 1/8" / 3,2 mm NPT		
64777	H-62	Buse de pénétration pour tuyau Ø 1/4" / 6,4 mm		
64782	H-64	Buse orientable		
82842	H-65	Buse rotative 2200		
64787	H-71	Buse de propulsion Ø 1/4" / 6,4 mm NPT		
64792	H-72	Buse de pénétration pour tuyau Ø 1/2" / 13 mm		
82852	H-75	Buse rotative 2200		
47592	H-1425	1/4" x 25' / 6,4 mm x 7,6 m	3/16 / 4,8	1/4 / 6,4
47597	H-1435	1/4" x 35' / 6,4 mm x 10,7 m	3/16 / 4,8	1/4 / 6,4
47602	H-1450	1/4" x 50' / Flexible à siphons Ø 1/4" / 6,4 mm	3/16 / 4,8	1/4 / 6,4
49272	H-1475	1/4" x 75' / 6,4 mm x 22,9 m Orange	3/16 / 4,8	1/4 / 6,4
49277	H-1400	1/4" x 100' / 6,4 mm x 30,5 m	3/16 / 4,8	1/4 / 6,4
64732	H-1415	1/4" x 150' / 6,4 mm x 45,7 m	3/16 / 4,8	1/4 / 6,4
50002	HL-1	Flexible de guidage Ø 1/4" / 6,4 mm	1/8 / 3,2	3/16 / 4,8
50007	HL-2	Flexible de guidage Ø 1/2" / 13 mm	1/8 / 3,2	3/16 / 4,8
47607	H-1250	1/2" x 50' / 13 mm x 15,2 m	1/4 / 6,4	1/2 / 13
47612	H-1275	1/2" x 75' / 13 mm x 22,9 m	1/4 / 6,4	1/2 / 13
47617	H-1200	1/2" x 100' / 13 mm x 30,5 m	1/4 / 6,4	1/2 / 13
51587	H-1211	1/2" x 110' / 13 mm x 33,5 m Flexible det je Ø 1/2" / 13 mm	1/4 / 6,4	1/2 / 13
49487	H-1215	1/2" x 150' / 13 mm x 45,7 m Noir	1/4 / 6,4	1/2 / 13
51597	H-1220	1/2" x 200' / 13 mm x 61 m	1/4 / 6,4	1/2 / 13

### Accessoires pour dégorgeoir haute-pression KJ-2200

Réf.	Des.	Description
62882	H-5	Enrouleur Mini sans tuyau
64737	H-30	Chariot H-30 avec enrouleur
62877	H-30 WH	Chariot H-30 avec enrouleur et tuyau HP Ø 1/2" 13 mm de 110' / 33,5 m
64077	HP-22	Kit de lavage haute-pression pour KJ-2200
64767	HW-22	Pistolet de lavage pour KJ-2200
51572	H-1235	Tuyau de lavage haute-pression Ø 1/2" / 13 mm de 35' / 10,7 m
48157	FV-1	Pédale de commande
66732	HF-4	Flexible à raccords rapides
48367	H-25	Kit d'hivernation
47542	H-21	Outil de nettoyage de buses
67187	H-32	Aspirateur Jet Vac

### Buses et tuyaux pour dégorgeoir haute-pression KJ-3100

Réf.	Des.	Description	Ø int. inch / mm	Ø ext. inch / mm
38698	H-101	Buse de propulsion Ø 1/8" / 3,2 mm NPT		
38713	H-102	Buse de pénétration pour tuyau Ø 1/4" / 6,4 mm		
38703	H-104	Buse orientable		
38723	H-105	Buse rotative Ø 1/8" / 3,2 mm NPT		
38693	H-111	Buse de propulsion Ø 1/4" / 6,4 mm NPT		
38708	H-112	Buse de pénétration pour tuyau Ø 3/8" / 9,5 mm		
38718	H-115S	Buse rotative Ø 1/4" / 6,4 mm NPT		
16713	RR3000	Buse à racines Root Ranger		
47592	H-1425	Flexible à siphons Ø 1/4" / 6,4 mm de 25' / 7,6 m Flexibles à siphons	3/16 / 4,8	1/4 / 6,4
47597	H-1435	Flexible à siphons Ø 1/4" / 6,4 mm de 35' / 10,7 m siphons Ø 1/4" / 6,4 mm	3/16 / 4,8	1/4 / 6,4
47602	H-1450	Flexible à siphons Ø 1/4" / 6,4 mm de 50' / 15,2 m Orange	3/16 / 4,8	1/4 / 6,4
49272	H-1475	Flexible à siphons Ø 1/4" / 6,4 mm de 75' / 22,9 m	3/16 / 4,8	1/4 / 6,4
49277	H-1400	Flexible à siphons Ø 1/4" / 6,4 mm de 100' / 30,5 m	3/16 / 4,8	1/4 / 6,4
64732	H-1415	Flexible à siphons Ø 1/4" / 6,4 mm de 150' / 45,7 m	3/16 / 4,8	1/4 / 6,4
64827	H-3835	Tuyau de lavage Ø 3/8" / 9,5 mm de 35' / 10,7 m	3/8 / 9,5	5/8 / 16
64832	H-3850	Tuyau lavage/pression Ø 3/8" / 9,5 mm de 50' / 15,2 m	3/8 / 9,5	5/8 / 16
64837	H-3810	Tuyau pression Ø 3/8" / 9,5 mm de 100' / 30,5 m Tuyau haute-pression Ø 3/8" / 9,5 mm	3/8 / 9,5	5/8 / 16
64842	H-3815	Tuyau pression Ø 3/8" / 9,5 mm de 150' / 45,7 m Noir	3/8 / 9,5	5/8 / 16
64847	H-3820	Tuyau pression Ø 3/8" / 9,5 mm de 200' / 61 m	3/8 / 9,5	5/8 / 16
64852	H-3825	Tuyau pression Ø 3/8" / 9,5 mm de 250' / 76,2 m	3/8 / 9,5	5/8 / 16
64857	H-3830	Tuyau pression Ø 3/8" / 9,5 mm de 300' / 91,4 m	3/8 / 9,5	5/8 / 16

### Accessoires pour dégorgeoir haute-pression KJ-3100

Réf.	Des.	Description
62882	H-5	Enrouleur Mini Hose Reel
64862	H-38	Enrouleur pour KJ-3100
64902	H-38 WH	Enrouleur avec tuyau HP Ø 3/8" / 9,5 mm de 200' / 61 m pour KJ-3100
64797	HW-30	Pistolet de lavage pour KJ-3100
48367	H-25	Kit d'hivernation
48157	FV-1	Pédale de commande
66732	HF-4	Flexible à raccords rapides (enrouleur/pédale de commande)
47542	H-21	Outil de nettoyage de buses
67187	H-32	Aspirateur Jet Vac

## Stockage de la machine

**⚠ AVERTISSEMENT** Stockez le dégorgeoir haute-pression dans un local bien ventilé et à l'abri des intempéries. Fermez la machine sous clé afin de la garder hors de portée des enfants et des novices. Ce type de machine serait potentiellement dangereuse entre les mains d'utilisateurs non initiés à son fonctionnement. Reportez-vous à la section *Entretien* pour son stockage par temps froid. Consultez le manuel de son moteur thermique pour les consignes de stockage spécifiques le concernant.

## Révisions et réparations

### **⚠ AVERTISSEMENT**

**La sécurité d'emploi de cette machine dépend en grande partie de son entretien approprié.**

La section « *Entretien* » ci-devant devrait couvrir la majorité des besoins courants de la machine, mais tout problème non adressé devrait être confié exclusivement à un réparateur RIDGID agréé.

Le cas échéant, l'appareil devrait être confié à un réparateur RIDGID ou renvoyé à l'usine.

Pour obtenir les coordonnées du centre de service RIDGID le plus proche ou pour toutes questions visant l'entretien et la réparation de l'appareil :

- Consultez votre distributeur RIDGID.
- Consultez les sites [www.RIDGID.com](http://www.RIDGID.com) ou [www.RIDGID.eu](http://www.RIDGID.eu) pour localiser le représentant RIDGID le plus proche.
- Consultez les services techniques de RIDGID par mail adressé à [rttechservices@emerson.com](mailto:rttechservices@emerson.com), et à partir des États-Unis et du Canada, en composant le (800)519-3456.

## Recyclage

Certains composants des dégorgeoirs haute-pression contiennent des matières de valeur susceptibles d'être recyclées. Il se peut que certaines des entreprises de recyclage concernées se trouvent localement. Disposez de ces composants selon la réglementation en vigueur. Pour de plus amples renseignements, consultez votre centre de recyclage local.



**A l'attention des pays de la CE :** Ne jamais jeter de matériel électrique à la poubelle !

Selon la norme européenne 2002/96/EC visant les déchets de matériel électrique et électronique et son application vis-à-vis de la législation nationale, tout matériel électrique non utilisable doit être collecté à part et recyclé d'une manière écologiquement responsable.

## Dépannage

Anomalie	Cause	Remède
<p>Le dégorgeoir fonctionne, mais manque de pression.</p>	<p>Alimentation d'eau inadéquate.</p>	<p>S'assurer que le robinet d'eau est ouvert.                      S'assurer que le robinet d'arrivée d'eau du dégorgeoir est ouvert.                      S'assurer que le tuyau d'arrivée d'eau est dégagé et non plissé.</p>
<p>Le dégorgeoir n'atteint pas sa pression nominale au démarrage.</p>	<p>Air dans le système.                      Buses de propulsion bouchées.</p>	<p>Retirer la tête de buse et activer le dégorgeoir pour le purger. Retirer la tête de buse et activer le dégorgeoir pour le purger.                      Retirer la tête de buse et nettoyer les buses de propulsion à l'aide de l'outil de nettoyage de buse.</p>
<p>Le manomètre du dégorgeoir oscille entre 500 et la pression maxi.</p>	<p>Buses de propulsion bouchées.                      Débris ou air dans le système.</p>	<p>Retirer la tête de buse, sélectionner la taille de nettoyeur de buse appropriée, et ramenez chacun des orifices de buse afin d'en déloger les débris.                      Retirer la tête de buse, introduire le tuyau HP dans la conduite et faire tourner le dégorgeoir afin d'en purger l'air ou les débris.</p>



## Máquinas limpiadoras de alta presión KJ-2200 y KJ-3100



KJ-3100



KJ-2200

### ADVERTENCIA

Antes de utilizar esta máquina, lea su manual del operario detenidamente. Si no se comprenden y respetan las instrucciones de este manual, podrían ocurrir descargas eléctricas, incendios y/o lesiones personales graves.

#### Máquinas limpiadoras de alta presión KJ-2200 y KJ-3100

Apunte aquí el número de serie de la máquina; lo encuentra en su placa de características.

No. de serie

--	--

## Índice

<b>Ficha para apuntar el Número de Serie de la máquina</b> .....	39
<b>Simbología de seguridad</b> .....	41
<b>Normas de seguridad general</b>	
Seguridad en la zona de trabajo .....	41
Seguridad eléctrica.....	41
Seguridad personal .....	41
Uso y cuidado de la máquina .....	42
Servicio.....	42
<b>Normas para el empleo de la Limpiadora de alta presión</b> .....	42
<b>Descripción, especificaciones y equipo estándar</b>	
Descripción.....	43
Especificaciones.....	44
Íconos.....	44
Equipo estándar .....	44
<b>Ensamblaje de la máquina</b>	
Aceites del motor.....	44
Aceites de la bomba y caja de engranajes.....	44
Carro de transporte de la KJ-2000 .....	45
Montaje del mango de dos brazos de la KJ-3100 .....	45
<b>Inspección previa al funcionamiento</b> .....	45
<b>Preparación de la máquina y de la zona de trabajo</b> .....	47
Suministro de agua .....	48
Preparación del desagüe .....	49
Instalación de la manguera .....	49
Tabla de selección de mangueras. ....	50
Tabla de selección de toberas .....	50
<b>Instrucciones de funcionamiento</b> .....	51
Limpieza del desagüe mediante chorros de agua.....	52
Empleo de la modalidad “Pulsaciones” .....	53
Empleo de la Limpiadesagües de alta presión como lavadora de agua a presión .....	54
Funcionamiento como lavadora de agua a presión .....	54
Inyector de detergente .....	54
<b>Instrucciones de mantenimiento</b>	
Limpieza .....	55
Motor .....	55
Lubricación de la bomba .....	55
Lubricación de la caja de engranajes.....	55
Acondicionamiento de la bomba para almacenarla durante el invierno.....	55
<b>Accesorios</b> .....	56
<b>Almacenamiento de la máquina</b> .....	56
<b>Servicio y reparaciones</b> .....	57
<b>Eliminación de la máquina</b> .....	57
<b>Detección de averías</b> .....	57
<b>Garantía vitalicia</b> .....	carátula posterior

## Simbología de seguridad

En este manual del operario y en la máquina misma encontrará símbolos y palabras de advertencia que comunican información de seguridad importante. En esta sección se describe, para su mejor comprensión, el significado de estos símbolos.



Este es el símbolo de una alerta de seguridad. Sirve para prevenir al operario de las lesiones corporales que podría sufrir. Obedezca todas las instrucciones que acompañan a este símbolo de alerta para evitar lesiones o muertes.

### ⚠ PELIGRO

Este símbolo de PELIGRO advierte de una situación de riesgo o peligro que, si no se evita, ocasionará muertes o graves lesiones.

### ⚠ ADVERTENCIA

Este símbolo de ADVERTENCIA advierte de una situación de riesgo o peligro que, si no se evita, podría ocasionar la muerte o lesiones graves.

### ⚠ CUIDADO

Este símbolo de CUIDADO advierte de una situación de riesgo o peligro que, si no se evita, podría ocasionar lesiones leves o moderadas.

### AVISO

Un AVISO advierte de la existencia de información relacionada con la protección de un bien o propiedad.



Este símbolo significa que, antes de usar la máquina, es indispensable leer detenidamente su manual del operario. El manual de la máquina contiene importante información acerca del funcionamiento apropiado y seguro del equipo.



Este símbolo señala que, durante la manipulación y funcionamiento de esta máquina, el operario siempre debe proteger sus ojos con gafas o anteojos de seguridad con viseras laterales para evitar herirse los ojos.



Este símbolo advierte del riesgo de dirigir el chorro de agua a alta presión hacia el cuerpo de una persona. Podría perforar e inyectar su piel causando heridas graves.



Este símbolo indica que la manguera de la Limpiadora de alta presión podría dar latigazos y golpear violentamente y herir a un individuo.



Este símbolo indica que existe el riesgo de respirar monóxido de carbono, el que puede causar náuseas, desmayos y hasta la muerte.



Este símbolo advierte de que podrían ocurrir incendios o explosiones originadas por la gasolina u otras fuentes, las que causarían quemaduras y otras lesiones.

## Normas de seguridad general

### ⚠ ADVERTENCIA

**Lea y comprenda todas las instrucciones. Pueden ocurrir golpes eléctricos, incendios y/o lesiones corporales graves si no se siguen todas las instrucciones detalladas a continuación.**

### ¡GUARDE ESTAS INSTRUCCIONES!

### Seguridad en la zona de trabajo

- **Mantenga su área de trabajo limpia y bien alumbrada.** Los bancos de trabajo desordenados y los ambientes oscuros ocasionan accidentes.
- **No haga funcionar aparatos eléctricos en atmósferas explosivas, es decir, en presencia de líquidos, gases o polvo inflamables.** Los aparatos generan chispas que podrían inflamar el polvo o los gases.
- **Al hacer funcionar aparatos eléctricos, mantenga apartados a espectadores, niños y visitantes.** Cualquier distracción puede hacerle perder el control del aparato.

### Seguridad eléctrica

- Evite el contacto de su cuerpo con artefactos co-

nectados a tierra tales como cañerías, radiadores, estufas o cocinas, y refrigeradores. Aumenta el riesgo de que se produzcan descargas eléctricas cuando su cuerpo ofrece conducción a tierra.

### Seguridad personal

- **Manténgase alerta, fíjese en lo que está haciendo y emplee sentido común cuando pone en marcha una herramienta motorizada.** Si está cansado o se encuentra bajo la influencia de drogas, alcohol o medicamentos, no utilice la máquina. Sólo un breve descuido o distracción mientras la hace funcionar puede resultar en lesiones personales graves.
- **Vístase adecuadamente. No se ponga ropa suelta ni joyas. Mantenga su cabello, ropa y guantes apartados de las piezas en movimiento.** La ropa suelta, las joyas o el pelo largo pueden engancharse en las piezas móviles.
- **No trate de extender su cuerpo para alcanzar algo. Mantenga sus pies firmes en tierra y el equilibrio en todo momento.** Así podrá controlar mejor la máquina en situaciones inesperadas.
- **Póngase los equipos de seguridad personal apropiados. Siempre use protectores para sus ojos.** Para evitar lesiones, cuando las condiciones lo re-

quieran, debe usar mascarilla para el polvo, calzado de seguridad antideslizante, casco duro y protección para los oídos.

### Uso y cuidado de la máquina

- **No fuerce la máquina.** Emplee las herramientas correctas para la tarea que va a efectuar. Harán el trabajo mejor, en forma segura y al ritmo para el cual fueron diseñadas.
- **Si el interruptor de la máquina no la enciende o apaga, no la use.** Cualquier máquina que no pueda ser controlada mediante su interruptor es peligrosa y debe ser reparada.
- **Almacene las máquinas que no estén en uso fuera del alcance de los niños y de personas no capacitadas para manejarlas.** Las máquinas son peligrosas en manos de individuos sin capacitación.
- **Efectúele cuidadoso mantenimiento a su máquina. Manténgale sus barrenas de corte afiladas y limpias.** Estando limpias y bien afiladas, es menos probable que se traben y serán más fáciles de controlar.
- **Revise la máquina por si tiene alguna pieza móvil trabada o quebrada, o si muestra cualquier otra anomalía que pueda afectar su normal funcionamiento. Si la máquina está averiada, antes de usarla, hágala componer.** Las máquinas sin un mantenimiento adecuado causan accidentes.
- **Sólo emplee los accesorios recomendados por el fabricante para usarse con su modelo.** Los accesorios apropiados para un modelo de máquina pueden resultar peligrosos si se montan a otro modelo.

### Servicio

- **El mantenimiento de la máquina sólo debe ser efectuado por personal de reparaciones calificado.** El servicio o mantenimiento practicado por personal sin capacitación puede ocasionar lesiones.
- **Deben emplearse únicamente repuestos idénticos cuando se le haga mantenimiento a esta máquina. Siga las instrucciones en la sección de Mantenimiento de este manual.** Pueden producirse choques eléctricos o lesiones personales si no se emplean piezas y partes autorizadas o si no se siguen las instrucciones de mantenimiento.

## Normas para el empleo de la Limpiadora de alta presión

### ⚠ ADVERTENCIA

**Esta sección entrega información de seguridad que es específica para estas máquinas.**

**Lea las precauciones detenidamente antes de utilizar esta máquina limpiadora de alta presión para reducir el riesgo de sufrir lesiones debidas a descargas eléctricas u otras causas.**

### ¡GUARDE ESTAS ADVERTENCIAS E INSTRUCCIONES PARA POSTERIOR CONSULTA!

Mantenga este manual junto a la máquina, a la mano del operario.

- **Nunca haga funcionar la Limpiadora de alta presión con la punta de la manguera fuera del desagüe.** La manguera podría dar latigazos y golpearlo, o el agua del chorro penetrar en su piel y causarle graves lesiones.
- **El agua a alta presión puede inyectarse debajo de la piel hiriéndolo gravemente. Podría hasta tener que practicarse una amputación.** El chorro de agua jamás debe apuntarse hacia una persona o animal.
- **No haga funcionar la Limpiadora de alta presión a una presión de agua mayor a la indicada en este manual ni con agua (de admisión) a una temperatura superior a 140°F / 60°C.** Así se evitan accidentes, quemaduras y daños a la máquina.
- **Sólo una persona debe controlar el proceso de limpieza y el interruptor de pie de la máquina. Nunca use la máquina sin su válvula o interruptor de pie.** Si la manguera se llegase a salir del desagüe cuando la máquina se encuentra en funcionamiento, el operario debe ser capaz de cortar el flujo de agua para impedir que la manguera dé latigazos, azote a alguien o que el agua a presión cause lesiones.
- **Siempre use los equipos de protección personal apropiados mientras emplea una máquina de limpieza de desagües.** Los desagües pueden contener sustancias químicas, bacterias u otras materias que podrían ser tóxicas, infecciosas, provocar quemaduras u otras lesiones. El equipo de protección personal que se ponga siempre debe incluir anteojos de seguridad y guantes. Además podrían necesitarse guantes de goma o látex, máscara para la cara, gafas, ropa protectora, respirador y/o calzado con punteras de acero.
- **Preocúpese de su higiene personal.** Luego de manipular equipos de limpieza de desagües, lávese las manos y las partes de su cuerpo que hayan



tenido contacto con los residuos del desagüe, con agua caliente y jabón. No coma ni fume mientras hace funcionar una limpiadora de desagües para no contaminarse con materiales tóxicos o infecciosos.

- **No pulverice químicos tóxicos ni líquidos inflamables con la máquina.** Podrían quemar, prender fuego, explotar o causar lesiones de gravedad.
- **La gasolina y sus vapores son altamente inflamables y explosivos.** Estudie el manual del motor para conocer las precauciones que debe tomar para evitar quemaduras, explosiones y lesiones graves mientras se manipula y emplea gasolina.
- **El motor de la máquina despiden monóxido de carbono, un gas venenoso, incoloro e inodoro.** La inhalación de este gas puede dar náuseas, provocar desmayos y hasta muertes. No ponga en marcha ni haga funcionar la máquina en un ambiente cerrado, aunque hayan puertas y ventanas abiertas. La máquina sólo debe utilizarse al aire libre.
- **Las superficies calientes pueden provocar quemaduras e incendios.** Mantenga su cuerpo y materiales inflamables apartados de superficies calientes.
- **Antes de hacerla funcionar, lea y comprenda este manual, el manual del motor, y las advertencias e instrucciones de todos los equipos que se usen en conjunto con esta máquina.** Si no se respetan estas instrucciones y advertencias podrían producirse daños materiales y/o lesiones graves.

Si lo desea, puede solicitar la declaración CE de conformidad (890-011-320.10) como complemento independiente de este manual.

Si tiene alguna pregunta acerca de este producto RIDGID®:

- Contacte al distribuidor de RIDGID en su localidad.
- Por internet visite el sitio [www.RIDGID.com](http://www.RIDGID.com) ó [www.RIDGID.eu](http://www.RIDGID.eu) para averiguar dónde se encuentran los centros autorizados de RIDGID más cercanos.
- Llame al Departamento de Servicio Técnico de RIDGID desde EE.UU. o Canadá al (800) 519-3456 o escriba a [rttechservices@emerson.com](mailto:rttechservices@emerson.com).

## Descripción, especificaciones y equipo estándar

### Descripción

Las máquinas limpiadoras de alta presión de RIDGID® son máquinas portátiles motorizadas que lanzan chorros de agua a alta presión. Emplean una combinación de presión y caudal de agua para desprender y arrancar grasa, fango, sedimento y raíces que taponan tuberías de desagüe. Propulsan una manguera liviana y de gran flexibilidad por la cañería gracias a la reacción en reversa de los surtidores en la tobera. Cuando la manguera se retrae del desagüe, a su paso va fregando sus paredes y lanzando los desechos cañería abajo. Con sus pulsaciones activadas, la tobera franquea curvas cerradas y sifones con mayor facilidad. Todas las máquinas cuentan con un motor a gasolina, que propulsa la bomba de émbolo triple.

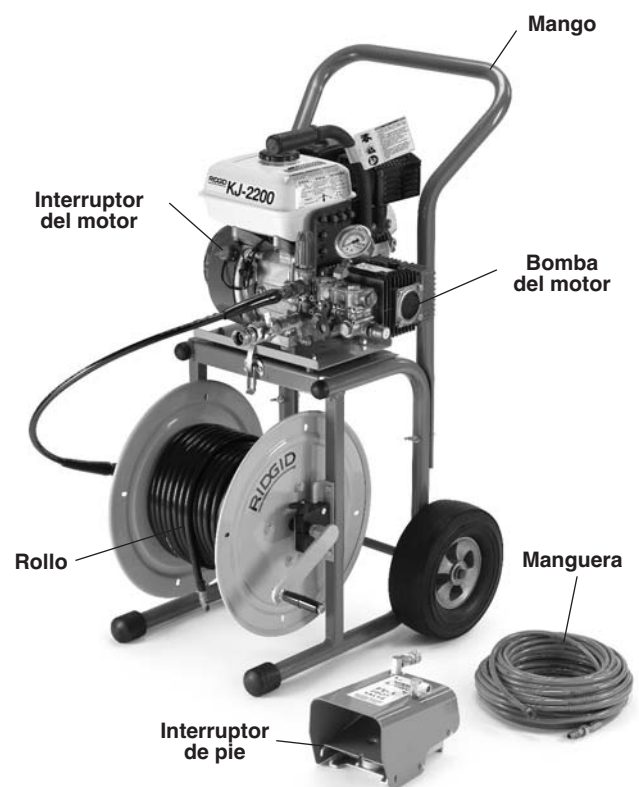


Figura 1 – Máquina Limpiadora de alta presión KJ-2200

**Especificaciones**

Modelo	CV del motor	Presión (PSI / bar)	Medida del caudal (GPM= galones por minuto)	Ø del desagüe inch / mm	Peso (sin el rollo de manguera), lbs / kg
KJ-2200	6.5 / 6,5	2200 / 150	2.4 / 9	1¼ - 6 / 32 - 152	65 / 30
KJ-3100	16	3000 / 205	5.5 / 20	2 - 10 / 50 - 250	262 / 119

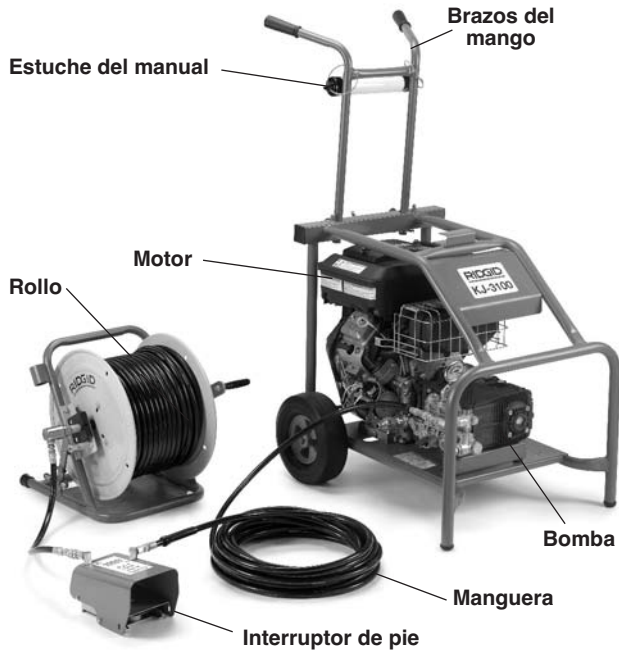




Figura 2 – Máquina Limpiadora de alta presión KJ-3100



Figura 3 – Número de serie de la máquina

El número de serie de la máquina figura en la placa de características en el bastidor. Los cuatro últimos dígitos indican el mes y año de su fabricación (08 = agosto, 10 = año 2010).

**Íconos**

-  Modalidad de presión
-  Modalidad de pulsaciones

**Equipo estándar**

Todas las máquinas vienen con:

- las toberas o bocas apropiadas
- una limpiatoberas
- interruptor o válvula de pie FV-1
- manual del operario

Consulte el Catálogo RIDGID para conocer los equipos específicos suministrados con cada uno de los modelos de Limpiadoras de alta presión.

**AVISO** Esta máquina ha sido fabricada para limpiar y desatascar desagües. Si se la utiliza correctamente no le hará daño a un desagüe que ha sido bien construido, instalado correctamente y mantenido en buenas condiciones. Si el sumidero se encuentra en malas condiciones o ha sido mal diseñado o mal construido, es posible que el proceso de limpieza de la cañería no resulte eficaz o le cause daños. Para determinar fehacientemente el estado en que se encuentra una tubería, antes de proceder a limpiarla, recomendamos su inspección visual mediante una cámara. El uso indebido de esta limpiadora de desagües puede causarle daño a la máquina misma y a la tubería. Puede que esta máquina no logre desatascar todas las obstrucciones.

**Ensamblaje de la máquina**

**⚠ ADVERTENCIA**

**Para prevenir lesiones graves durante su uso y daños a la máquina, ensamble la Limpiadora de alta presión correctamente de acuerdo a los siguientes procedimientos:**

**Aceite del motor**

**AVISO** La Limpiadora de alta presión se despacha de fábrica sin aceite en el motor. Si se la pone en marcha sin aceite, el motor sufrirá daños. Llene el depósito de aceite antes de ponerlo en marcha. Lea en el Manual del Motor adjunto cómo se agrega aceite al depósito y cuál aceite echarle.

**Aceite de la bomba y de la caja de engranajes**

**Bomba:** extraiga el tapón en la parte superior de la bomba e introduzca en su lugar la varilla medidora del

aceite/ tapa del respiradero. No haga funcionar la Limpiadora de alta presión con este tapón puesto, porque podrían averiarse los sellos de la bomba. Revise el nivel del aceite según las instrucciones en la sección de Mantenimiento.

**Caja de engranajes (sólo KJ-3100):** extraiga el tapón en la parte superior de la caja de cambios e introduzca en su lugar la varilla medidora de aceite/tapa del respiradero. No haga funcionar la Limpiadora de alta presión con este tapón puesto porque podrían averiarse los sellos de la caja de engranajes. Revise el nivel del lubricante según las instrucciones en la sección de Mantenimiento.



Figura 4 – Ensamblaje del carro de la KJ-2200

### Carro de transporte de la KJ-2200

1. Deslice un clip de retención sobre cada extremo del eje hasta la ranura interior (Figura 4).
2. Meta una rueda por cada extremo del eje.
3. Deslice un clip de retención hasta la ranura exterior en cada extremo del eje para retener las ruedas.
4. Emplee los pernos y tuercas de mariposa provistos para fijar los brazos del mango al bastidor.
5. Monte el conjunto –motor y bomba- sobre el carro, alineando los agujeros en su placa base con las clavijas en la parte superior del carro. Emplee los pestillos en el carro para fijar el motor y bomba. Asegure que el conjunto quede bien sujeto.

### Montaje del mango de dos brazos de la KJ-3100

1. Meta los brazos del carro en los dos agujeros en el travesaño o larguero posterior del bastidor (Figura 5).
2. Introduzca una horquilla a través de cada agujero en la parte inferior de los brazos del mango para fijarlos.

3. Atornille las dos perillas de cabeza en T en el travesaño posterior del carro. Ajuste los brazos a la altura que quiera y apriete las perillas.

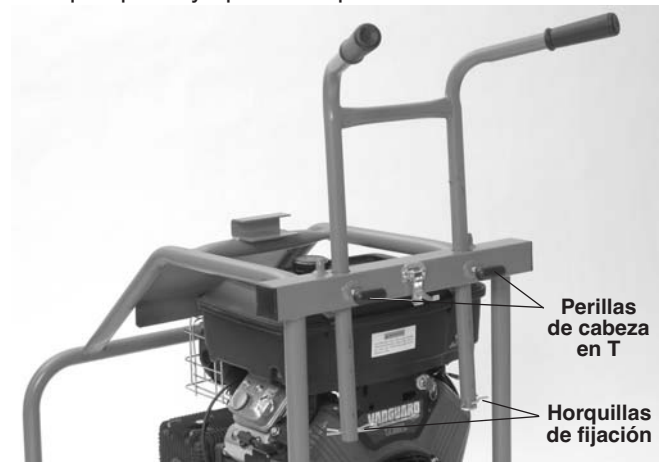
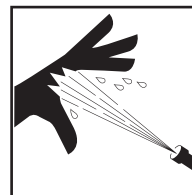


Figura 5 – Brazos de la KJ-3100

### Revisión previa al funcionamiento



#### ⚠ ADVERTENCIA

**Antes de cada uso, inspeccione la Limpiadora de alta presión y solucione cualquier problema que detecte para reducir el riesgo de lesiones por el impacto de agua a alta presión, o que se dañe la limpiadora.**

**Cuando vaya a revisar la máquina, póngase siempre anteojos de seguridad, guantes y todos los equipos de protección personal pertinentes para protegerse contra sustancias químicas nocivas y bacterias sobre la máquina.**

1. Cerciórese de que el interruptor de la máquina esté en la posición de OFF (apagada).
2. Quite el aceite, grasa o mugre de todo el equipo, en especial de los brazos y mandos. Así es posible revisar la máquina y se evita que brazos y mandos resbalen de sus manos.
3. Revise la máquina limpiadora de alta presión para asegurar que:
  - Está completa y bien ensamblada.
  - No tiene partes quebradas, que le faltan, desalineadas o agarrotadas.
  - Las etiquetas de advertencias están pegadas a la máquina y legibles (vea la Figura 6).



- No existen impedimentos para el funcionamiento seguro y normal de la máquina.

Si detecta cualquier anomalía, no use la Limpiadora de alta presión hasta que no haya sido reparada.



Figura 6A – Etiquetas de advertencias en la KJ-2200



Figura 6B – Etiquetas de advertencias en la KJ-2200



Figura 6C – Etiquetas de advertencias en la KJ-3100



Figura 6D – Etiquetas de advertencias en la KJ-3100

4. Limpie el filtro de la admisión de agua (KJ-3100) o el filtro con tamiz (KJ-2200). Desatornille la tapa inferior del filtro de admisión para limpiarlo. La mugre y los desechos pueden restringir el flujo de agua hacia la bomba y afectar el rendimiento de la máquina.

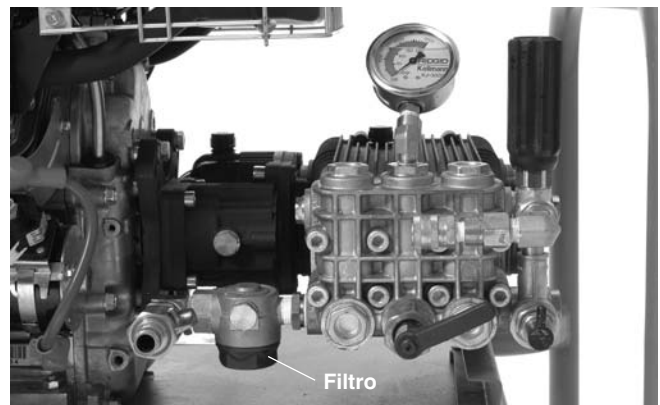


Figura 7 – Filtro de la admisión de agua en la KJ-3100

5. Revise los orificios de la tobera por si están dañados u obstruidos. Los orificios se destapan con una herramienta limpiatoberas. Evite agrandar los orificios de la tobera cuando la limpie. Las toberas dañadas o con orificios agrandados disminuyen el rendimiento funcional de la Limpiadora de alta presión y deben ser reemplazadas.
6. Inspeccione las mangueras, conectores y juntas por si están desgastados o averiados. Si la manguera está doblada, agrietada, rota o desgastada, no la use. Las mangueras en mal estado pueden reventarse o tener fugas de agua a alta presión y causar lesiones graves. Las mangueras y conectores de repuesto deben tener una clasificación igual o superior a la presión con que opera la Limpiadora de alta presión.
7. Inspeccione y hágale mantenimiento al motor de la Limpiadora de alta presión según detalla el manual del propio motor.



8. Revise el nivel del combustible. En el caso de la KJ-3100, para ganar acceso a la tapa del depósito de gasolina, abra el cerrojo del rollo de la manguera e incline el rollo hacia delante hasta que se apoye en el bastidor (Figura 8). Si necesita combustible, échele gasolina sin plomo. Tenga cuidado cuando manipule gasolina. Siempre llene el depósito de combustible en una zona bien ventilada. Asegure que la tapa quede bien cerrada.



Figura 8 – Acceso al depósito de gasolina de la KJ-3100

9. Revise los niveles de aceite en la bomba y en la caja de engranajes (si la tiene) y agrégueles aceite si les falta (consulte la sección de Mantenimiento).

## Preparación de la máquina y de la zona de trabajo

### ⚠ ADVERTENCIA



**Póngase siempre anteojos de seguridad, guantes y los otros equipos de protección personal pertinentes al preparar la Limpiadora de alta presión para protegerse contra sustancias químicas nocivas y bacterias presentes en la máquina. Se recomienda calzar zapatos con suelas de goma antideslizantes para evitar resbalones en suelos mojados.**

**El motor de la máquina despiden monóxido de carbono, un gas venenoso, incoloro e inodoro. La inhalación de este gas puede dar náuseas, provocar desmayos y hasta muertes. No ponga en marcha ni haga funcionar la máquina en un ambiente cerrado, aunque hayan puertas y ventanas abiertas. La máquina sólo debe utilizarse al aire libre.**

**Prepare la Limpiadora de alta presión y la zona donde trabajará según los procedimientos siguientes, con el fin de aminorar los riesgos de lesiones debidas al contacto con agua a alta presión, monóxido de carbono, quemaduras químicas, infecciones u otros, y de evitar daños a la máquina misma.**

1. Verifique que afuera, en la zona de trabajo:
  - haya suficiente luz.
  - no haya líquidos, vapores o polvo inflamables que puedan provocar un incendio. Si se encuentran en las inmediaciones, no trabaje en esta área hasta que todos los materiales peligrosos hayan sido retirados. La Limpiadora de alta presión no es a prueba de explosiones y podría despedir chispas.
  - haya un lugar despejado, estable y seco para situar al operario y la máquina. Si es necesario, seque la zona donde trabajará. Es posible que deba cubrir el suelo con madera u otro material aislante.
  - haya buena ventilación. No utilice la Limpiadora de alta presión dentro, aunque existan ventanas y puertas abiertas. La Limpiadora de alta presión puede colocarse apartada del lugar donde se la necesita.
  - haya un suministro adecuado de agua.
  - haya una senda despejada para transportar la Limpiadora de alta presión hasta allá.
2. Inspeccione el desagüe que va a limpiar. En lo posible, determine dónde se encuentra el acceso(s) al desagüe, el diámetro(s) y longitud(es) del desagüe, la distancia entre el acceso al desagüe y la tubería principal o el tanque, la índole del atasco u obstrucción, y si el desagüe contiene productos químicos para la limpieza de desagües. Si se han vertido sustancias químicas por el desagüe en cuestión, es importante saber a qué atenerse en su presencia. Contacte al fabricante del producto químico para obtener la información de seguridad pertinente.
 

Si es necesario, extraiga el artefacto de baño o cocina (inodoro, etc.) para poder acceder al desagüe. No introduzca la manguera por un artefacto, podría dañarse la manguera y el artefacto.
3. Establezca cuál es la Limpiadora de alta presión correcta para la tarea que realizará. Consulte la sección Especificaciones para conocer las Limpiadora de alta presión disponibles y sus características. En los catálogos RIDGID en línea, [www.RIDGID.com](http://www.RIDGID.com) ó [www.RIDGID.eu](http://www.RIDGID.eu), encontrará listados de las limpiado-

ras de desagües y limpiadoras de alta presión disponibles para variadas aplicaciones.

4. Cerciórese de que la máquina y todo el equipo han sido inspeccionados debidamente.
5. Observe la zona de trabajo y establezca si es conveniente colocar barricadas o barreras para impedir el ingreso de curiosos. Los transeúntes pueden distraer al operario. Si trabajará en un área de tráfico vehicular, circunde la zona de trabajo con conos u otros dispositivos que alerten a los conductores.
6. Si lo estima necesario, cubra la zona de trabajo con protectores. La limpieza de desagües puede ser una tarea sucia.
7. Lleve la Limpiadora de alta presión a la intemperie por el sendero despejado que eligió. Si necesita cargarla, emplee la técnica correcta para levantarla y proteger su espalda. Tenga cuidado al subir o bajar escaleras con el equipo y esté atento a sitios resbaladizos. Use zapatos con suelas antideslizantes para evitar resbalar o caer.

**Suministro de agua**

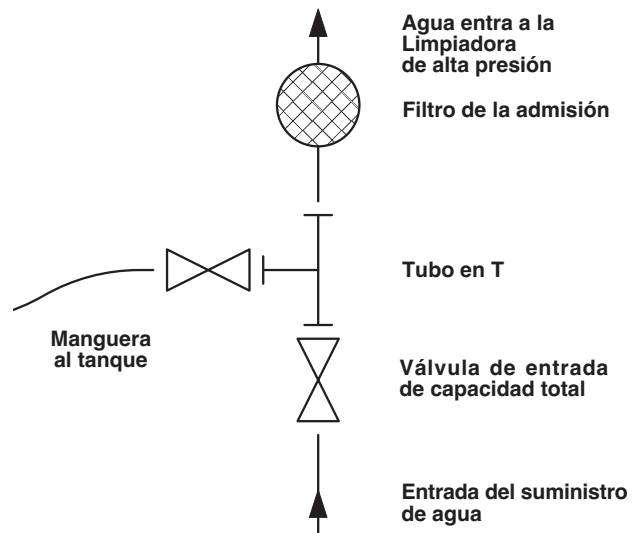
Compruebe que el caudal de agua disponible sea suficiente para la Limpiadora de alta presión. Extienda una manguera desde la fuente de agua hasta la Limpiadora de alta presión. Utilice la manguera más corta y de mayor diámetro posible. Se recomienda el uso de una manguera que como mínimo tenga un diámetro interior de 3/4" / 19 mms. Debe emplearse un dispositivo de prevención del retorno del flujo (backflow, en inglés) que cumpla con todos los códigos y ordenanzas vigentes. Abra la llave de agua y tome el tiempo que tarda en llenarse un balde de cinco galones / 18,9 l. La tabla siguiente indica el máximo de tiempo que debe demorar dicho balde en llenarse para cada modelo de Limpiadora de alta presión.

Limpiadora de alta presión	Galones X min. (GPM / l)	Tiempo máx. de llenado balde de 5 galones / 18,9 l
KJ-2200	2.4 / 9	125 segundos
KJ-3100	5.5 / 20	55 segundos

Si el caudal de agua es insuficiente, la Limpiadora de alta presión no podrá alcanzar la presión que requiere y podría dañarse la bomba. Revise si el agua en el balde contiene desechos o mugre, porque podrían averiar la bomba, taponar el filtro de la tobera y disminuir la performance del equipo. No utilice el agua de estanques, lagunas, lagos u otras fuentes que podrían contener desechos.

Si no se cuenta con un caudal de agua suficiente, podría conectarse la Limpiadora de alta presión a varias mangueras de suministro de agua o emplearse un tanque o cisterna.

Si emplea un tanque, conecte un tubo en T provisto de válvulas de entrada de capacidad total (que no restrinjan el flujo de agua) a la admisión de la Limpiadora de alta presión, como se muestra en la Figura 9. Conecte una manguera de 3/4" / 19 mms. Ø de no más de 6' / 1,8 m de largo a la válvula en la salida del tubo T y conecte la fuente de agua al tendido del tubo en T. Meta el extremo de la manguera en el tanque o conéctela a la salida del tanque. La totalidad de la manguera en el tanque –en toda su extensión– no debe quedar más de 5" / 12,7 cms. por sobre la admisión de agua de la Limpiadora de alta presión. De lo contrario, ésta no sacará agua del tanque.



**Figura 9 – Conexiones al emplearse un tanque de agua como suministro**

Llene el tanque de agua antes de echar a andar la Limpiadora de alta presión. Cuando la vaya a poner en marcha, cierre la válvula del tanque. Tan pronto la Limpiadora de alta presión haya arrancado, abra la válvula del tanque. Vaya fijándose en el nivel que alcanza el agua en el tanque y cuando sea necesario, pare de limpiar y permita que el tanque vuelva a llenarse. No permita que el nivel del agua llegue más abajo del extremo de la manguera.

El agua caliente mejora la limpieza, pero no emplee agua a más de 140°F / 60°C porque puede hacer que la sobrecarga térmica de la bomba se abra. Si emplea agua caliente, póngase todos los equipos de protección personal apropiados para no quemarse.

Al emplear agua fría, tome las precauciones necesarias para impedir que el agua se congele en la bomba. Ésta podría averiarse.

Revise que la válvula de admisión de agua en la Limpiadora de alta presión esté cerrada y conecte la manguera de suministro a la Limpiadora de alta presión.

## Preparación del desagüe

Si trabajará desde un registro, trampilla de acceso o pozo de inspección, rejilla de drenaje u otro gran acceso, emplee un tubo para guiar la manguera desde las manos del operario, por el acceso al desagüe y hasta el punto que se desea limpiar.



Figura 10 – Uso de un tubo-guía de manguera cuando se la interna por un gran acceso

## Instalación de la manguera

Tenga cuidado cuando dirige la manguera de una Limpiadora de alta presión. La funda de la manguera puede dañarse si se la expone a superficies ásperas, bordes afilados, enreda con otras mangueras, etc., especialmente cuando la máquina se encuentra funcionando en la modalidad de pulsaciones. La manguera está más segura al exterior si enrollada en su propio rollo o carrete.

1. Seleccione una manguera del diámetro apropiado para el desagüe que se limpiará. No se recomienda utilizar dos mangueras unidas porque la conexión entre ambas no será flexible y podría quedarse atascada en juntas o uniones del desagüe. *Consulte la tabla de Selección de Mangueras.*
2. Si es necesario, desmonte el rollo de la manguera del carro. Ubique el rollo de la manguera a no más de 3' / 90 cms del acceso al desagüe. Procure no tener mucha manguera fuera del desagüe para que no se dañe. Si resulta imposible acercarse al rollo de la manguera a la entrada del desagüe, utilice una sección de cañería de un diámetro similar al del desagüe para guiar la manguera que, de lo contrario, quedaría expuesta.

3. Instale una manguera desde la Limpiadora de alta presión hasta el conector IN en el interruptor de pie. Emplee cinta adhesiva de Teflon para sellar la conexión. Coloque el interruptor de pie donde le sea cómodo alcanzarlo. Recuerde que usted debe, a un mismo tiempo, ser capaz de maniobrar la manguera de la Limpiadora de alta presión y su interruptor de pie.
4. Conecte otra manguera desde el rollo de manguera al conector OUT en el interruptor de pie.

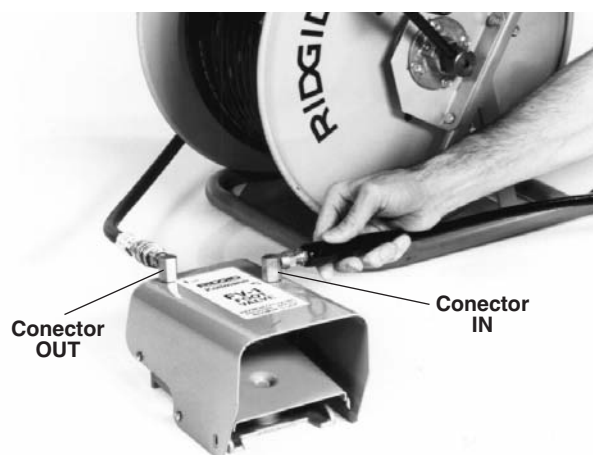


Figura 11 – Conexiones IN y OUT para conectar las mangueras al interruptor de pie

5. Hágale una marca llamativa a la manguera de la Limpiadora de alta presión a más o menos 4' / 1,2 m de su punta, para que cuando la retraiga de la tubería usted pueda advertir que la tobera está pronta a asomar del desagüe. Así evita que emerja y salga del acceso al desagüe dando latigazos.
6. Extraiga la tobera en la punta de la manguera de la Limpiadora de alta presión y meta la punta de la manguera en el desagüe. Abra la válvula de admisión del agua para purgar el aire y cualquier desecho que se encuentre en la máquina o sus mangueras. Permita que fluya agua por lo menos unos 2 minutos.
7. Cierre la válvula de admisión del agua.
8. Seleccione una tobera. Utilice sólo las específicamente indicadas para la Limpiadora de alta presión que usará. El uso de una tobera incorrecta afectará el rendimiento de la máquina (presión deficiente o insuficiente caudal de agua) o dañará la máquina por exceso de presión. Cerciórese de que los agujeros de la tobera estén limpios, sin taponar. *Consulte la tabla de Selección de Toberas.*

Si va a utilizar la tobera RR3000 para limpiar desagües de más de 6" / 152 mm de diámetro o en tu-

berías de hasta 9" / 229 mms Ø, es indispensable colocarle su extensión. No es necesario emplear la extensión de la tobera en desagües de 6" / 152 mm Ø o menores (Figura 12).

Si no se le pone su extensión para limpiar tuberías de más de 6 hasta 9 pulgadas de diámetro, o se la introduce en cañerías de más de 9" / 229 mms Ø, la tobera RR3000 podría darse la vuelta dentro del

desagüe y volver hacia fuera disparando agua a gran presión contra el operario.

9. Con sus manos, enrosque la tobera a la punta de la manguera firmemente. No la apriete en demasía. Si se la sobreaprieta, se corre el riesgo de dañarla o disminuir su rendimiento.
10. Introduzca la manguera (con la tobera puesta) en el desagüe y abra la válvula de admisión de agua. Asegure que el agua fluye libremente por la tobera y cierre la válvula de entrada de agua.

### TABLA DE SELECCIÓN DE MANGUERAS

Usos		Ø de la tubería en pulgs. inch / mm	Tamaño de la tobera inch / mm	Ø int. de la manguera inch / mm	Ø ext. de la manguera inch / mm
KJ-2200	Lavabos, urinarios y tuberías angostas	1 1/4 - 2 / 32 - 50	1/8 / 3,2 NPT	1/8 / 3,2	3/16 / 4,8
	Lavaplatos, fregaderos, cubas en lavanderías, conductos verticales o de ventilación, bocas laterales de limpieza de desagües.	2 - 3 / 50 - 76	1/8 / 3,2 NPT	3/16 / 4,8	1/4 / 6,4
	Duchas y resumideros en el piso, tuberías laterales y sifones de grasa.	3 - 4 / 76 - 101	1/4 / 6,4 NPT	1/4 / 6,4	1/2 / 13
	Tuberías principales y laterales.	4 - 6 / 101 - 152	1/4 / 6,4 NPT	1/4 / 6,4	1/2 / 13
KJ-3100	Cañones de chimeneas, bocas laterales de limpieza de desagües y conductos de ventilación.	2 - 3 / 50 - 76	1/8 / 3,2 NPT	3/16 / 4,8	1/4 / 6,4
	Resumideros en el piso, tuberías laterales y sifones de grasa.	3 - 4 / 76 - 101	1/4 / 6,4 NPT	3/8 / 9,5	5/8 / 16
	Tuberías principales y laterales.	4 - 10 / 101 - 250	1/4 / 6,4 NPT	3/8 / 9,5	5/8 / 16

### TABLA DE SELECCIÓN DE TOBERAS

		Tamaño de la rosca, inch / mm	1/8 / 3,2 NPT	1/4 / 6,4 NPT
KJ-2200		Ø int. de la manguera, inch / mm	1/8 y 3/16 / 3,2 y 4,8	1/4 / 6,4
		Ø ext. de la manguera, inch / mm	3/16 y 1/4 / 4,8 y 6,4	1/2 / 13
	Cuenta con tres chorros de propulsión que apuntan hacia atrás para lograr un máximo de fuerza limpiadora en recorridos largos. Use esta tobera para la mayoría de los trabajos.		<b>H-61</b>	<b>H-71</b>
	Emplea tres chorros de propulsión que apuntan hacia atrás y uno que dispara un chorro hacia delante, para penetrar atascos de grasa compacta y de fango. El chorro que arremete hacia delante abre un pequeño boquete en el atasco abriéndole camino a la tobera para que continúe su avance. Es igualmente eficaz durante el lavado a presión de tuberías taponadas de hielo.		<b>H-62</b>	<b>H-72</b>
	Emplee la tobera de cabeza articulada para atravesar sifones y recodos difíciles. Esta tobera posee tres chorros de propulsión que apuntan hacia atrás.		<b>H-64</b>	
Emplee la tobera giratoria para eliminar grasas y obstrucciones parecidas.		<b>H-65</b>	<b>H-75</b>	
KJ-3100		Tamaño de la rosca, inch / mm	1/8 / 3,2 NPT	1/4 / 6,4 NPT
		Ø int. de la manguera, inch / mm	3/16 / 4,8	3/8 / 9,5
		Ø ext. de la manguera, inch / mm	1/4 / 6,4	5/8 / 16
	Cuenta con cuatro (4) chorros de propulsión que apuntan hacia atrás para lograr un máximo de fuerza limpiadora en recorridos largos. Use esta tobera para la mayoría de los trabajos.		<b>H-101</b>	<b>H-111</b>
	Emplea tres chorros de propulsión que apuntan hacia atrás y uno que dispara un chorro hacia delante para penetrar atascos de grasa compacta y de fango. El chorro que arremete hacia delante abre un pequeño boquete en el atasco abriéndole camino a la tobera para que continúe su avance. Es igualmente eficaz durante el lavado a presión de tuberías con atascos congelados.		<b>H-102</b>	<b>H-112</b>
	Emplee la tobera de cabeza articulada para atravesar sifones y recodos difíciles. Esta tobera posee cuatro (4) chorros de propulsión que apuntan hacia atrás.		<b>H-104</b>	<b>H-115</b>
	Emplee la tobera giratoria para eliminar grasas y obstrucciones parecidas.		<b>H-105</b>	
Empléela para arrancar raíces y otros atascos similares. ¡NOTA! Dentro de desagües de más de 6 hasta 9 pulgadas Ø, la tobera RR3000 debe llevar puesta su extensión para que no vaya a devolverse.			<b>RR3000</b>	

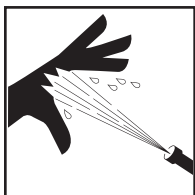




Figura 12 – Tobera RR3000 con su extensión puesta

## Instrucciones de funcionamiento

### ⚠ ADVERTENCIA



**Siempre use gafas protectoras para que a sus ojos no les entren muge ni objetos extraños. Siempre póngase los equipos de protección personal apropiados para las condiciones ambientales en que trabajará.**

**Nunca haga funcionar la Limpiadora de alta presión si la punta de la manguera no se encuentra dentro del desagüe. La manguera podría dar latigazos y azotarlo y el agua de los chorros, penetrar su piel.**

**Líquidos a alta presión pueden inyectarse en su piel y causar lesiones graves, incluso la amputación de alguna de sus extremidades. Jamás apunte a una persona o animal con el chorro de agua.**

**No haga funcionar la Limpiadora de alta presión de chorros a una presión de agua mayor a la indicada en este manual, ni con agua (de admisión) a una temperatura superior a 140°F / 60°C. Así se evitan accidentes, quemaduras y daños a la máquina.**

**Sólo una persona debe controlar el proceso de limpieza y el interruptor de pie de la máquina. Nunca use la máquina sin su interruptor de pie. Si la manguera se llegase a salir del desagüe cuando la máquina se encuentra en funcionamiento, el operario debe ser capaz de cortar el flujo de agua para impedir que la manguera dé latigazos, azote a alguien o el agua a presión cause lesiones.**

**Siempre use los equipos de protección personal pertinentes mientras emplea una máquina de limpieza de desagües. Los desagües pueden contener sustancias químicas, bacterias u otras materias que podrían resultar tóxicas, infecciosas, provocar quemaduras u otras lesiones. El equipo de pro-**

**tección personal que usted se ponga siempre debe incluir anteojos de seguridad y guantes. Además podrían necesitarse guantes de goma o látex, mascarilla para la cara, gafas, ropa protectora, respirador y calzado con punteras de acero.**

**Siga fielmente estas instrucciones de funcionamiento para evitar lesionarse debido a mangueras que dan azotes, agua a presión que penetra la piel, emanaciones de monóxido de carbono y por otras razones.**

1. Asegure que la máquina y la zona de trabajo han sido debidamente preparadas y que por sus inmediaciones no transita nadie que pueda distraerlo. Si la Limpiadora de alta presión estará colocada distante del sitio donde se la utilizará, una persona debe quedarse junto a la máquina vigiándola.
2. Introduzca la manguera -con su tobera conectada a la punta- por lo menos tres pies / 90 cms dentro del desagüe; de tal forma que la manguera no se salga del desagüe dando latigazos cuando la máquina se ponga en marcha.
3. Revise que la palanca del accionador de pulsaciones esté girada hacia la izquierda en la posición "Pressure" (Presión) (Figura 16).
4. Abra la válvula de admisión del suministro. Nunca arranque el motor si el suministro de agua está cerrado.
5. Oprima el interruptor de pie para reducir la presión y permita que el motor arranque. Verifique que el agua esté saliendo libremente por la tobera. Siguiendo las instrucciones de puesta en marcha del motor en el manual del motor, eche a andar el motor. Espere que el motor se caliente.

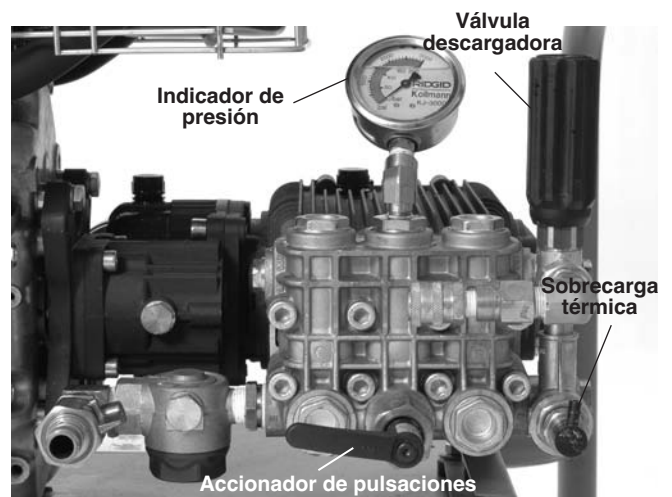


Figura 13 - Mandos

6. Gire la válvula descargadora mientras observa el indicador de presión o manómetro para determinar si necesita ajustar la presión (hacia la derecha, para aumentar la presión; hacia la izquierda, para disminuirla). Nunca sobrepase el límite de presión que puede soportar la máquina. No fuerce la válvula descargadora ni emplee llaves u otras herramientas para girarla. Así podría dañarla.

**Limpiadora de alta presión Presión de servicio, psi / bar**

KJ-2200	2200 / 150
KJ-3100	3000 / 205

Si la Limpiadora de alta presión no genera la presión que le corresponde o su performance es irregular:

- Revise que el estrangulador del motor esté bien regulado.
  - Asegure que la válvula de entrada de agua esté totalmente abierta, al igual que las otras válvulas o llaves del suministro de agua.
  - Gire la válvula descargadora hacia la derecha para aumentar la presión. No la fuerce.
  - Asegure que el accionador de pulsaciones se encuentra en la posición "Pressure" (presión).
  - Mientras la máquina está en marcha, mueva el accionador de pulsaciones varias veces entre sus posiciones "Pressure" (presión) y "Pulse" (pulsaciones) para purgar del sistema el aire que pudiera tener atrapado.
  - Inspeccione el sistema por si tiene fugas. Hágalo con cuidado para evitar lesionarse. Si detecta fugas, apague la Limpiadora de alta presión antes de resolver el problema.
  - Apague la Limpiadora de alta presión. Revise el filtro (en la KJ-3100, o el tamiz del filtro en la KJ-2200) en la admisión de agua. Revise que no tenga desechos o mugre.
  - Asegure que el caudal de agua que entra a la Limpiadora de alta presión sea suficiente.
  - Apague la Limpiadora de alta presión y cierre la válvula de entrada de agua. Extraiga la tobera de la manguera y límpiela los orificios con la herramienta limpiatoberas.
  - Haga funcionar la Limpiadora de alta presión sin una tobera puesta, para purgarle el aire y los desechos. Apague la Limpiadora de alta presión cada vez que vaya a quitarle o acoplarle una tobera.
7. Adopte la postura correcta para trabajar.
    - Asegure que puede accionar el interruptor de pie (oprimir y soltarlo) sin problemas. No lo oprima todavía.

- Asegure que puede mantener el equilibrio mientras trabaja y nunca estire su cuerpo para tratar de alcanzar algo.
- Usted debe ser capaz de sostener y controlar, en todo momento, la manguera de la Limpiadora de alta presión con una de sus manos.
- Usted debe, además, ser capaz de alcanzar el rollo para enrollar la manguera.

En esta posición podrá mantener el control sobre la Limpiadora de alta presión.



Figura 14 – Postura de trabajo correcta

**Limpieza del desagüe**


Generalmente se introduce la manguera de la Limpiadora de alta presión por el desagüe hasta donde haya que limpiarlo; luego se la retrae lentamente de regreso para que vaya haciendo su trabajo de limpieza. La tobera vuelve hacia la superficie disparando agua a alta presión contra las paredes de la tubería, limpiándola.

Desenganche el cerrojo en el rollo de la manguera. Con por lo menos tres pies / 90 cms de manguera en el desagüe y una mano sobre la manguera para controlar su movimiento, oprima el interruptor de pie. Los chorros de la tobera que apuntan hacia atrás ayudarán a internar la manguera en la tubería. Meta la manguera hasta donde tenga que limpiarla. Si no puede seguir avanzando, es porque se ha topado con una obstrucción.

Si en el trayecto la tobera no puede atravesar un atasco o algún sifón, trampa o conexión:

- Déle unos empujones fuertes a la manguera.
- Gire la manguera en un cuarto o hasta media vuelta para que la tobera se zafe y cambie de rumbo. Pero una vez que atraviese la obstrucción, vuelva

a enderezarla a su posición inicial para que la manguera no se tuerza. *Vea la Figura 15.*

- Emplee la modalidad de Pulsaciones  (vea la sección siguiente).
- Utilice una manguera para sifones o una de menor diámetro.



**Figura 15 – Giro de la manguera para que logre atravesar un atasco**

Una vez que haya franqueado la obstrucción, quédese un rato limpiando esa sección del desagüe antes de proseguir: avance algunos metros más allá de la zona donde se encontraba el atasco y lentamente retroceda la tobera por la zona de la obstrucción. Haga esto varias veces, luego siga avanzando por el desagüe.

Fíjese en el nivel de agua en la tubería. Si el agua comienza a brotar en la entrada al desagüe, apague la Limpiadora de alta presión y permita que el agua baje o fluya cañería abajo. La limpieza de una tubería con chorros de agua resulta más eficaz cuando la tubería está seca. No permita que la Limpiadora de alta presión funcione por mucho rato sin su interruptor de pie oprimido, porque el agua sigue circulando en la bomba y comienza a calentarse. El agua muy caliente podría producir la apertura de la sobrecarga térmica en la bomba.

Una vez que haya llegado la tobera hasta la distancia que se deseaba alcanzar, comience a retraer la tobera lenta-

mente (un pie por minuto en desagües con muchas acumulaciones). Con una mano maneje la manguera, con la otra vaya enrollándola en el rollo. Esté atento a la aparición de la marca que hizo en la manguera, ésta indica que la tobera se encuentra pronta a emerger del desagüe. La tobera jamás debe salir del desagüe disparando agua: la manguera podría golpearlo y el agua a presión, herirlo. Mantenga siempre el control de la manguera. Suelte el interruptor de pie para cortar el flujo de agua.

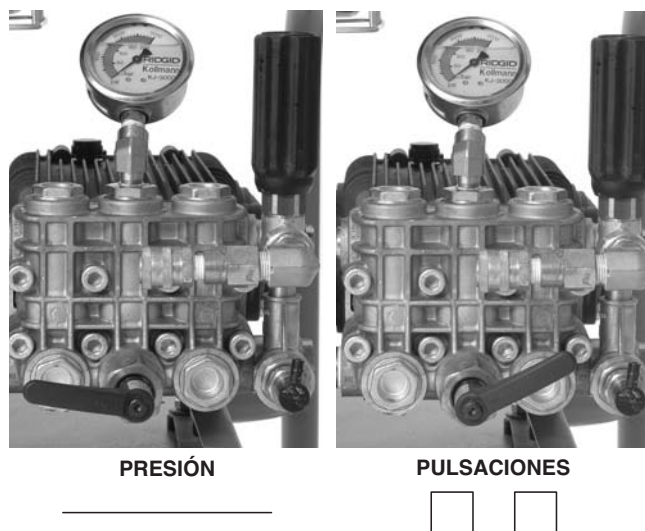
Apague el motor de acuerdo a las instrucciones de su propio manual. Oprima el interruptor de pie para purgar la presión del sistema. Nunca deje el sistema sin despresurizar. Si es necesario, reemplace la tobera y continúe limpiando la tubería según el método descrito anteriormente. Para lograr una limpieza exhaustiva del desagüe, efectúe varias pasadas.

Finalizada la limpieza, con la Limpiadora de alta presión apagada, extraiga la tobera y abra la válvula de entrada de agua para purgar la bomba y la manguera. Si utilizó la Limpiadora de alta presión en un día muy frío, púrguele el agua de inmediato para impedir daños por congelamiento. Para mayor información sobre la protección de la máquina en climas fríos, *vea Almacenaje de la máquina.*

### Empleo de la modalidad “Pulsaciones”

Si el simple giro de la manguera no basta para que la tobera navegue por un codo, sifón o cambie de rumbo, habrá que recurrir a la modalidad de pulsaciones. Las pulsaciones provocan un fuerte cambio en la presión del agua y hacen vibrar la manguera, facilitando su avance.

1. Gire la palanca del accionador de pulsaciones hacia la izquierda a la posición “Pulse” (pulsaciones). Mientras en esta modalidad, el manómetro marcará menor presión que la máxima. Esto es normal.



**Figura 16 – Posiciones de la palanca del accionador**



- Si es necesario asistir a la tobera para que logre traspasar una obstrucción, dé estocadas con la manguera o gírela.
- Una vez atravesado el atasco, vuelva la palanca del accionador hacia la izquierda a la posición de "Pressure" (presión). No deje la Limpiadora de alta presión en posición "Pulse" (pulsaciones) por más tiempo que el necesario para atravesar la obstrucción. El uso excesivo de la modalidad "pulsaciones" podría acortar la vida útil de las mangueras y del sistema.

### Empleo de la Limpiadesagües de alta presión como lavadora de agua a presión

Las Limpiadesagües de alta presión RIDGID también pueden usarse como lavadoras a presión, acoplándoles un paquete para la limpieza a presión. La Limpiadora de alta presión se emplea como lavadora a presión de forma similar a la habitual dentro del desagüe, por lo tanto siga las mismas instrucciones con estas salvedades:

- Sitúe la máquina en una zona de trabajo apropiada.
- Asegure que todo el equipo ha sido bien revisado.
- Acople la varilla de lavado a la manguera de lavado a presión.
- Conecte la manguera a la salida de la Limpiadora de alta presión. Asegure que ambos extremos de la manguera estén bien conectados para que no se salgan cuando sometidos a altas presiones.
- Como se señaló anteriormente, conecte el suministro de agua adecuado a la Limpiadora de alta presión.
- Abra la llave o válvula del suministro de agua y apriete el gatillo de la varilla de lavado para que por ella fluya agua y salga el aire que pudiera estar atrapado en el sistema. Nunca haga andar el motor si la llave o válvula del agua no está abierta. Puede dañarse la bomba.
- Asegure que la palanca del accionador de pulsaciones esté girada hacia la izquierda, en la posición "Pressure" (presión).
- Ajustes de la boquilla de lavado a presión: girándola, usted ajusta la manera en que la boquilla dispara el agua, desde un chorrillo fino a un rociado amplio como abanico. Empujándola hacia delante el agua sale a baja presión; llévela hacia atrás y el agua sale a alta presión. Siempre comience a lavar a presión con la boquilla puesta en la posición trasera de alta presión.
- Cierre de la varilla de lavado a presión: la varilla de lavado a presión cuenta con un cierre de seguridad detrás del gatillo. Mueva el cierre hacia abajo para trabar el gatillo cuando la varilla no estará en uso.



**Figura 17 – Ajustes de la boquilla de lavado a presión**

- Apunte la boquilla de la varilla de lavado hacia un lugar seguro y apriete su gatillo con el fin de reducir la presión y permitir el arranque del motor. Siga fielmente las instrucciones del manual del motor y hágalo partir. Permita que el motor se caliente. Suelte el gatillo apenas el motor comience a andar.
- Apunte la boquilla de la varilla de lavado hacia un lugar seguro y apriete el gatillo. Gire la válvula descargadora mientras observa el indicador de presión para determinar si necesita ajustar la presión. Nunca sobrepase el límite de presión que puede soportar la máquina. Suelte el gatillo de la varilla de lavado.

### Funcionamiento como lavadora de agua a presión

- Emplee ambas manos para asir y dirigir la varilla de lavado a presión. Jamás apunte el chorro de agua hacia una persona. El agua a alta presión puede penetrar la piel de una persona y hierirla gravemente. Para evitar descargas eléctricas, nunca apunte la boquilla de la varilla hacia equipos eléctricos o cableados.
- Regule el caudal de agua con el gatillo. Sea cuidadoso cuando la utilice como lavadora a presión. Si usted mantiene la boquilla de lavado a presión demasiado cerca de una superficie, ésta podría dañarse. Primero lave a presión una zona pequeña, que no se note, para probar si las posiciones de la boquilla (presión y modalidad de salida del agua) son las adecuadas.
- No permita que la Limpiadora de alta presión quede andando por un largo rato con el gatillo sin oprimir. Porque cuando el gatillo no está oprimido, el agua continúa circulando en la bomba y comienza a calentarse. Esto podría resultar en que la sobrecarga térmica de la bomba se abra.
- Cuando haya terminado de lavar a presión, suelte el gatillo y apague el motor según las indicaciones del manual del motor. Apriete el gatillo para despresurizar el sistema. Nunca deje el sistema presurizado.

### Inyector de detergente

- Acople el inyector de detergente al puerto de salida. Quite la manguera de salida y acople el inyector de detergente con su flecha apuntando en la misma dirección que el flujo de agua. Emplee sellador de rosca para evitar fugas de agua. Vuelva a conectar la manguera de salida.



2. Acople la manguera de sifonaje al inyector de detergente. Meta el extremo de la manguera que tiene el filtro dentro del recipiente con detergente. Emplee únicamente detergentes recomendados para usarse en lavadoras de presión. Respete todas las instrucciones relativas al detergente. No rocíe líquidos inflamables o sustancias químicas tóxicas con la Limpiadora de alta presión. Los detergentes no recomendados, disolventes, productos de limpieza u otros, pueden averiar la Limpiadora de alta presión o causar lesiones graves.
3. Cuando se emplea la máquina como lavadora a presión, suministra detergente únicamente al estar la boquilla de la varilla en la posición delantera de baja presión. Empuje la boquilla hacia delante (baja presión) para que salga detergente.
4. La inyección de detergente puede regularse mediante el giro de la manga en el inyector. Si se le gira hacia la izquierda, suministrará mayor cantidad de detergente. Si a la derecha, menos cantidad.
5. Finalizada la aplicación de detergente, extraiga el filtro fuera del detergente, métalo en un balde de agua limpia y enjuague el sistema para quitarle cualquier resto de detergente.

## Instrucciones de mantenimiento

### ⚠ ADVERTENCIA

**Antes de efectuarle mantenimiento o reparaciones a esta máquina, el interruptor del motor debe encontrarse en la posición de OFF (apagado) y los cables de las bujías deben ser desconectados para impedir ponerla en marcha sin querer. Oprima el interruptor de pie o el gatillo de la varilla de lavado para soltar la presión de líquido restante en el sistema.**

**Siempre use gafas protectoras y guantes cuando le haga mantenimiento a esta máquina, para protegerse de infecciones y líquidos tóxicos.**

### Limpieza

Cuando sea necesario, lave la manguera con agua caliente jabonosa y/o desinfectantes. No permita que agua entre en el motor o sistema eléctrico. No lave la máquina con una lavadora a presión. Sólo pásele un trapo húmedo.

### Motor

Hágale mantenimiento al motor según las instrucciones de su propio manual incluido con la máquina.

### Lubricación de la bomba

Antes de cada uso revise el nivel del aceite en la bomba.

Ponga la Limpiadora de alta presión sobre una superficie nivelada. Quite la mugre y desechos de la zona de la varilla medidora del aceite y extraígala para determinar cuánto aceite contiene la bomba. Si le falta, agregue aceite SAE 30W sin detergente. No desborde el depósito. Vuelva a introducir la varilla medidora.

Reemplace el aceite en la bomba después de las primeras 50 horas de funcionamiento y cada 500 horas de allí en adelante. Con la bomba todavía tibia, extraiga el tapón que tiene debajo y vacíe el aceite en un recipiente apropiado. Vuelva a ponerle el tapón. Llene la bomba con aproximadamente 32 onzas / 0,9 kg de aceite SAE 30W sin detergente, según el procedimiento antes descrito.

### Lubricación de la caja de engranajes

Antes de usar la máquina, revise el nivel del aceite en la caja de engranajes. Asiente la Limpiadora de alta presión sobre una superficie nivelada. Quite la mugre y desechos de la zona de la varilla medidora del aceite y extraígala para determinar cuánto aceite contiene la caja de engranajes. Si le falta, agregue lubricante para engranajes SAE 90W. No desborde el depósito. Vuelva a introducir la varilla medidora.

Reemplace el aceite en la caja de engranajes cada 500 horas de funcionamiento. Con la bomba todavía tibia, extraiga el tapón que tiene debajo y vacíe el aceite en un recipiente apropiado. Vuelva a ponerle el tapón. Llene la bomba con aproximadamente 8 onzas / 0,2 kg de lubricante de engranajes SAE 90W según el procedimiento descrito.

### Acondicionamiento de la bomba para **AVISO** almacenarla durante el invierno

Si la Limpiadora de alta presión quedará almacenada a temperaturas cerca o por debajo de 32°F ó 0°C, debe prepararse correctamente para soportarlas. Si se congela agua dentro de la bomba, puede dañarse.

Se la puede acondicionar de dos maneras para soportar el frío. La primera consiste en abrir todas las válvulas del sistema y purgar toda el agua todavía en su interior con la ayuda de aire comprimido. Lo mismo puede hacerse para vaciar las mangueras.

El segundo método utiliza anticongelante RV (de glicol no etilénico). Nunca emplee anticongelante de glicol etilénico en la bomba de la Limpiadora de alta presión. Está prohibido vaciar glicol etilénico en sistemas de desagües o redes de alcantarillado.

1. Acople una sección de manguera de 3 pies / 90 cms a la válvula de entrada de agua y abra la válvula.
2. Meta un extremo de la manguera dentro del recipiente de anticongelante RV.

3. Extraiga la tobera del otro extremo de la manguera.
4. Haga funcionar la Limpiadora de alta presión hasta que el anticongelante salga por la manguera.

## Accesorios

### ⚠ ADVERTENCIA

**Para evitar lesiones de gravedad, sólo use los accesorios específicamente diseñados y recomendados para usarse con las máquinas limpiadoras de alta presión de RIDGID. Los accesorios apropiados para usarse con otras máquinas pueden transformarse en peligrosos si se usan con las Limpiadoras de alta presión RIDGID.**

### Toberas y mangueras para la Limpiadora KJ-2200

No. en el catálogo	Modelo No.	Descripción	Manguera Ø int. inch / mm	Manguera Ø ext. inch / mm
64772	H-61	Tobera de propulsión	1/8" / 3,2 mm NPT	
64777	H-62	Tobera de penetración	le hacen a	
64782	H-64	Tobera de cabeza articulada	manguera de 1/4" / 6,4 mm	
82842	H-65	Tobera giratoria 2200		
64787	H-71	Tobera de propulsión	1/4" / 6,4 mm NPT	
64792	H-72	Tobera de penetración	le hacen a manguera de 1/2" / 13 mm	
82852	H-75	Tobera giratoria 2200		
47592	H-1425	1/4" x 25' / 6,4 mm x 7,6 m	3/16 / 4,8	1/4 / 6,4
47597	H-1435	1/4" x 35' / 6,4 mm x 10,7 m	3/16 / 4,8	1/4 / 6,4
47602	H-1450	1/4" x 50' / 6,4 mm x 15,2 m manguera parasifón de 1/4" / 6,4 mm	3/16 / 4,8	1/4 / 6,4
49272	H-1475	1/4" x 75' / 6,4 mm x 22,9 m naranja	3/16 / 4,8	1/4 / 6,4
49277	H-1400	1/4" x 100' / 6,4 mm x 30,5 m	3/16 / 4,8	1/4 / 6,4
64732	H-1415	1/4" x 150' / 6,4 mm x 45,7 m	3/16 / 4,8	1/4 / 6,4
50002	HL-1	Líder flexible, 1/4" / 6,4 mm	1/8 / 3,2	3/16 / 4,8
50007	HL-2	Líder flexible, 1/2" / 13 mm	1/8 / 3,2	3/16 / 4,8
47607	H-1250	1/2" x 50' / 13 mm x 15,2 m	1/4 / 6,4	1/2 / 13
47612	H-1275	1/2" x 75' / 13 mm x 22,9 m	1/4 / 6,4	1/2 / 13
47617	H-1200	1/2" x 100' / 13 mm x 30,5 m	1/4 / 6,4	1/2 / 13
51587	H-1211	1/2" x 110' / 13 mm x 33,5 m manguera de chorros de 1/2" / 13 mm	1/4 / 6,4	1/2 / 13
49487	H-1215	1/2" x 150' / 13 mm x 45,7 m negra	1/4 / 6,4	1/2 / 13
51597	H-1220	1/2" x 200' / 13 mm x 61 m	1/4 / 6,4	1/2 / 13

### Accesorios para la Limpiadora de alta presión KJ-2200

No. en el catálogo	Modelo No.	Descripción
62882	H-5	Mini rollo de manguera
64737	H-30	Carro H-30 con Rollo de manguera
62877	H-30 WH	Carro H-30 con Rollo de manguera y Manguera de chorro de 110' / 33,5 m x 1/2" / 13 mm
64077	HP-22	Pressure Wash Package, KJ-2200
64767	HW-22	Paquete de lavado a presión, KJ-2200
51572	H-1235	Manguera de lavado a presión, 1/2" / 13 mm x 35' / 10,7 m
48157	FV-1	Interruptor de pie
66732	HF-4	Manguera de conexión rápida
48367	H-25	Kit acondicionador para el invierno
47542	H-21	Herramienta limpiatoberas
67187	H-32	Jet Vac (aspiradora)

### Toberas y mangueras para la KJ-3100

No. en el catálogo	Modelo No.	Descripción	Manguera Ø int. inch / mm	Manguera Ø ext. inch / mm
38698	H-101	Tobera de propulsión	1/8" / 3,2 mm NPT	
38713	H-102	Tobera de penetración	le hacen a	
38703	H-104	Tobera de cabeza articulada	manguera de 1/4" / 6,4 mm	
38723	H-105	Tobera giratoria, 1/8" / 3,2 mm NPT		
38693	H-111	Tobera de propulsión	1/4" / 6,4 mm NPT	
38708	H-112	Tobera de penetración	le hacen a manguera de 3/8" / 9,5 mm	
38718	H-115S	Tobera giratoria, 1/4" / 6,4 mm NPT		
16713	RR3000	Tobera cortaraíces Root Ranger		
47592	H-1425	1/4" / 6,4 mm x 25' / 7,6 m	3/16 / 4,8	1/4 / 6,4
47597	H-1435	1/4" / 6,4 mm x 35' / 10,7 m manguera atraviesa-sifón 1/4" / 6,4 mm	3/16 / 4,8	1/4 / 6,4
47602	H-1450	1/4" / 6,4 mm x 50' / 15,2 m naranja	3/16 / 4,8	1/4 / 6,4
49272	H-1475	1/4" / 6,4 mm x 75' / 22,9 m	3/16 / 4,8	1/4 / 6,4
49277	H-1400	1/4" / 6,4 mm x 100' / 30,5 m	3/16 / 4,8	1/4 / 6,4
64732	H-1415	1/4" / 6,4 mm x 150' / 45,7 m	3/16 / 4,8	1/4 / 6,4
64827	H-3835	Manguera de lavado de 3/8" / 9,5 mm Ø int. x 35' / 10,7 m	3/8 / 9,5	5/8 / 16
64832	H-3850	Manguera de chorro y de lavado a presión 3/8" / 9,5 mm Ø int. x 50' / 15,2 m	3/8 / 9,5	5/8 / 16
64837	H-3810	Manguera de chorro 3/8" / 9,5 mm Ø int. x 100' / 30,5 m chorros de 3/8" / 9,5 mm	3/8 / 9,5	5/8 / 16
64842	H-3815	Manguera de chorro 3/8" / 9,5 mm Ø int. x 150' / 45,7 m negra	3/8 / 9,5	5/8 / 16
64847	H-3820	Manguera de chorro 3/8" / 9,5 mm Ø int. x 200' / 61 m	3/8 / 9,5	5/8 / 16
64852	H-3825	Manguera de chorro 3/8" / 9,5 mm Ø int. x 250' / 76,2 m	3/8 / 9,5	5/8 / 16
64857	H-3830	Manguera de chorro 3/8" / 9,5 mm Ø int. x 300' / 91,4 m	3/8 / 9,5	5/8 / 16

### Accesorios para la Limpiadora de alta presión KJ-3100

No. en el catálogo	Modelo No.	Descripción
62882	H-5	Mini rollo de manguera
64862	H-38	Rollo de manguera (le hace a la KJ-3100)
64902	H-38 WH	Rollo de manguera con manguera de 200' / 61 m x 3/8" / 9,5 mm Ø int.
64797	HW-30	Varilla de lavado KJ-3100
48367	H-25	Kit acondicionador para el invierno
48157	FV-1	Interruptor de pie
66732	HF-4	Manguera de conexión rápida (del rollo al interruptor de pie)
47542	H-21	Herramienta limpiatoberas
67187	H-32	Jet Vac (aspiradora)

## Almacenaje de la máquina

**⚠ ADVERTENCIA** Almacene la Limpiadora de alta presión en un lugar bien ventilado y protegida de la lluvia y la nieve. Mantenga la máquina bajo llave fuera del alcance de niños y de personas sin capacitación para utilizarla. Esta máquina puede causar graves lesiones en manos de inexpertos. *Vea la sección Mantenimiento* para almacenarla correctamente en climas fríos. Consulte el manual del motor para saber cómo almacenar el motor.

## Servicio y reparaciones

### ⚠ ADVERTENCIA

**Esta máquina puede tornarse insegura si se la repara o mantiene incorrectamente.**

Las Instrucciones de Mantenimiento describen la mayor parte de los servicios que requiere esta máquina. Cualquier problema que no haya sido abordado en esta sección, debe ser resuelto únicamente por un técnico de reparaciones autorizado por RIDGID.

La máquina debe llevarse a un Servicentro Autorizado RIDGID o ser devuelta a la fábrica.

Para ubicar el Servicentro RIDGID más cercano a su localidad o consultar sobre el servicio o reparación de esta máquina:

- Contacte al distribuidor RIDGID en su localidad.
- En internet visite el sitio [www.RIDGID.com](http://www.RIDGID.com) ó [www.RIDGID.eu](http://www.RIDGID.eu) para averiguar dónde se encuentran los centros autorizados de RIDGID más cercanos.
- Llame al Departamento de Servicio Técnico de RIDGID desde EE.UU. o Canadá al (800) 519-3456 o escriba a [rttechservices@emerson.com](mailto:rttechservices@emerson.com)

## Eliminación de la máquina

Piezas y partes de las Limpiadoras de alta presión contienen materiales de valor susceptibles de ser reciclados. Averigüe cuáles empresas en su localidad se especializan en reciclaje. Deseche la máquina o sus componentes conforme a todas las disposiciones vigentes en su jurisdicción. Para mayor información, llame a la agencia local encargada de la eliminación de residuos sólidos.



**En los países miembros de la Comunidad Europea:** ¡No se deshaga de equipos eléctricos mezclados con la basura doméstica!

Según la directriz de la Comunidad Europea 2002/96/EC a sus países miembros sobre desechos eléctricos y electrónicos, los equipos eléctricos inutilizables deben ser recolectados en forma separada de la basura municipal y eliminados sin causar daños al medio ambiente.

## Tabla 1 Detección de averías

PROBLEMA	CAUSA	SOLUCIÓN
La Limpiadora de alta presión funciona pero no genera presión o muy poca.	Suministro de agua es insuficiente.	Asegure que el grifo o llave de agua esté <b>abierto</b> . Asegure que la válvula de la entrada de agua a la Limpiadora de alta presión esté <b>abierta</b> . Asegure que por la manguera de suministro fluye agua y que no está doblada o aplastada.
Cuando se la pone en marcha, la Limpiadora de alta presión no logra alcanzar su presión máxima de funcionamiento.	Hay aire atrapado en el sistema. Los orificios de propulsión en la tobera están obstruidos.	Extraiga la tobera de la manguera y haga funcionar la Limpiadora de alta presión para que elimine el aire atrapado y los desechos del sistema. Extraiga la tobera y limpie sus orificios con una limpiatoberas.
El manómetro de la Limpiadora de alta presión indica presiones que fluctúan entre los 500 psi y máxima presión de servicio.	Los orificios de propulsión en la tobera están obstruidos. Existen desechos o hay aire atrapado en el sistema.	Extraiga la tobera. Límpiela los orificios con una limpiatoberas: seleccione aquella con alambres del grosor adecuado y empújelos a través de cada orificio de propulsión para destaparlos. Extraiga la tobera e introduzca la manguera en el desagüe. Haga funcionar la Limpiadora de alta presión para que elimine el aire atrapado y desechos.





# Hochdruck-Rohrreiniger

## KJ-2200/KJ-3100 Rohrreinigungsmaschinen



KJ-3100



KJ-2200

### **⚠️ WARNUNG!**

Lesen Sie diese Bedienungsanleitung vor dem Gebrauch des Geräts sorgfältig durch. Bei Nichtbefolgung des Inhalts dieses Handbuchs kann es zu elektrischem Schlag, Feuer und/oder schweren Verletzungen kommen.

#### **KJ-2200/KJ-3100 Rohrreinigungsmaschinen**

Notieren Sie unten die Seriennummer und bewahren Sie diese auf. Sie finden die Produkt-Seriennummer auf dem Typenschild.

Seriennr.

--

## Inhalt

<b>Formular zum Festhalten der Geräteseriennummer</b> .....	59
<b>Sicherheitssymbole</b> .....	61
<b>Allgemeine Sicherheitsregeln</b> .....	61
Sicherheit im Arbeitsbereich .....	61
Elektrische Sicherheit .....	61
Sicherheit von Personen .....	61
Benutzung und Pflege des Gerätes .....	62
Wartung .....	62
<b>Sicherheitswarnungen für Hochdruck-Rohrreiner</b> .....	62
<b>Beschreibung, technische Daten und Standardausstattung</b> .....	63
Beschreibung .....	63
Technische Daten .....	64
Symbole .....	64
Standardausstattung .....	64
<b>Montage der Maschine</b> .....	65
Motoröl .....	65
Pumpen-/Getriebeöl .....	65
KJ-2200 Fahrgestell .....	65
KJ-3100 Griffbaugruppe .....	65
<b>Kontrolle vor dem Betrieb</b> .....	66
<b>Vorbereiten von Maschine und Arbeitsbereich</b> .....	68
Wasserversorgung .....	69
Vorbereitung der Rohrleitung .....	70
Vorbereitung des Schlauchs .....	70
Hochdruck-Rohrreinigerschlauch AUSWAHLTABELLE .....	72
Hochdruck-Rohrreinigerdüse AUSWAHLTABELLE .....	72
<b>Betriebsanleitung</b> .....	73
Reinigen der Rohrleitung .....	74
Verwendung des Impulsmodus .....	75
Verwendung der Hochdruck-Rohrreinigungsmaschine als Hochdruckreiner .....	76
Hochdruckreinerbetrieb .....	77
Reinigungsmittleinspritzung .....	77
<b>Wartungshinweise</b> .....	77
Reinigung .....	77
Motor .....	77
Pumpenschmierung .....	77
Getriebeschmierung .....	78
Vorbereitung der Pumpe auf die Lagerung bei kalter Witterung .....	78
<b>Zubehör</b> .....	78
<b>Lagerung des Geräts</b> .....	79
<b>Wartung und Reparatur</b> .....	79
<b>Entsorgung</b> .....	79
<b>Fehlersuche</b> .....	80
<b>Garantie</b> .....	Rückseite

\*Übersetzung der Originalbetriebsanleitung

## Sicherheitssymbole

Wichtige Sicherheitshinweise werden in dieser Bedienungsanleitung und auf dem Produkt mit bestimmten Sicherheitssymbolen und Warnungen gekennzeichnet. Dieser Abschnitt enthält Erläuterungen zu diesen Warnhinweisen und Symbolen.



Dies ist das allgemeine Gefahren-Symbol. Es weist auf mögliche Verletzungsgefahren hin. Beachten Sie alle Hinweise mit diesem Symbol, um Verletzungs- oder Lebensgefahr zu vermeiden.



**GEFAHR** GEFAHR weist auf eine gefährliche Situation hin, die ohne entsprechende Sicherheitsvorkehrungen zu Lebensgefahr oder schweren Verletzungen führt.



**WARNUNG** WARNUNG weist auf eine gefährliche Situation hin, die ohne entsprechende Sicherheitsvorkehrungen zu Lebensgefahr oder schweren Verletzungen führen kann.



**ACHTUNG** ACHTUNG weist auf eine gefährliche Situation hin, die ohne entsprechende Sicherheitsvorkehrungen zu kleineren bis mittelschweren Verletzungen führen kann.



**HINWEIS** HINWEIS kennzeichnet Informationen, die sich auf den Schutz des Eigentums beziehen.



Dieses Symbol bedeutet, dass die Bedienungsanleitung sorgfältig durchzulesen ist, bevor das Gerät in Betrieb genommen wird, um das Verletzungsrisiko zu mindern. Die Bedienungsanleitung enthält wichtige Informationen für den sicheren, ordnungsgemäßen Gebrauch des Geräts.



Dieses Symbol bedeutet, dass bei der Arbeit mit diesem Gerät immer eine Schutzbrille mit Seitenschutz oder ein Augenschutz zu verwenden ist, um Augenverletzungen zu vermeiden.



Dieses Symbol weist auf das Risiko durch auf Körperteile gerichtetes unter hohem Druck stehendes Wasser hin, das zu Hautverletzungen führt.



Dieses Symbol weist auf das Risiko hin, dass der Hochdruck-Rohrreinigerschlauch ausschlägt und Schlag- oder Injektionsverletzungen verursacht.



Dieses Symbol weist auf das Risiko des Einatmens von Kohlenmonoxid hin, was zu Übelkeit, Ohnmacht oder Tod führen kann.



Dieses Symbol weist auf das Risiko von Feuer und Explosion durch Benzin oder andere Ursachen hin, was zu Verbrennungen und anderen Verletzungen führen kann.

## Allgemeine Sicherheitsregeln

### ⚠️ WARNUNG

**Bitte lesen Sie diese Anweisungen sorgfältig durch. Die Nichtbeachtung der nachfolgenden Anweisungen kann zu Stromschlag, Brand und/oder schweren Verletzungen führen.**

**BEWAHREN SIE DIESE ANLEITUNG AUF!**

### Sicherheit im Arbeitsbereich

- **Halten Sie Ihren Arbeitsbereich sauber, und sorgen Sie für eine gute Beleuchtung.** Unaufgeräumte und unzureichend beleuchtete Arbeitsbereiche erhöhen das Unfallrisiko.
- **Betreiben Sie die Elektrowerkzeuge nicht in Umgebungen mit erhöhter Explosionsgefahr, in denen sich leicht entflammare Flüssigkeiten, Gase oder Staub befinden.** Elektrowerkzeuge erzeugen im Betrieb Funken, durch die sich Staub oder Brandgase leicht entzünden können.
- **Sorgen Sie während des Betriebs elektrischer Geräte dafür, dass sich keine Kinder, sonstige Unbe-**

**teiligte oder Besucher in der Nähe befinden.** Bei Ablenkungen kann die Kontrolle verloren gehen.

### Elektrische Sicherheit

- **Vermeiden Sie Körperkontakt mit geerdeten Oberflächen, wie Rohren, Heizungen, Herden und Kühlschränken.** Es besteht eine erhöhte Stromschlaggefahr, wenn Ihr Körper geerdet ist.

### Sicherheit von Personen

- **Seien Sie beim Betrieb eines Elektrowerkzeugs immer aufmerksam und verantwortungsbewusst. Verwenden Sie ein Elektrowerkzeug nicht, wenn Sie müde sind oder unter Einfluss von Drogen, Alkohol oder Medikamenten stehen.** Durch einen kurzen Moment der Unaufmerksamkeit können Sie sich selbst oder anderen erhebliche Verletzungen zufügen.
- **Tragen Sie geeignete Kleidung. Tragen Sie keine weiten Kleidungsstücke oder Schmuck. Fassen Sie langes Haar zusammen. Halten Sie Haare, Kleidung und Handschuhe von beweglichen Teilen fern.** Weite Kleidung, Schmuck oder lange Haare können von bewegten Teilen erfasst werden.

- **Lehnen Sie sich nicht zu weit in eine Richtung. Sorgen Sie stets für ein sicheres Gleichgewicht und einen festen Stand.** Durch sicheren Stand und gutes Gleichgewicht können Sie das Gerät in unerwarteten Situationen besser kontrollieren.
- **Sicherheitsausrüstung. Tragen Sie immer einen Augenschutz.** Je nach Umgebung sind Staubmaske, rutschfeste Sicherheitsschuhe, Schutzhelm oder Gehörschutz erforderlich, um die Gefahr von Verletzungen zu reduzieren.

### Benutzung und Pflege des Gerätes

- **Wenden Sie bei Verwendung des Elektrowerkzeugs keine Gewalt an. Verwenden Sie immer ein für den Einsatzbereich geeignetes Gerät.** Mit dem richtigen Werkzeug können Sie Ihre Arbeit effektiver und sicherer ausführen.
- **Verwenden Sie das Elektrowerkzeug nicht, wenn es nicht über einen Schalter an- und ausgeschaltet werden kann.** Ein Werkzeug, das sich nicht über einen Schalter ein- und ausschalten lässt, stellt eine Gefahrenquelle dar und muss repariert werden.
- **Bewahren Sie ungenutzte Geräte außerhalb der Reichweite von Kindern und ungeschulten Personen auf.** Werkzeuge sind gefährlich, wenn Sie von unerfahrenen Personen benutzt werden.
- **Warten Sie Werkzeuge sorgfältig. Halten Sie Schneidwerkzeuge scharf und sauber.** Sorgfältig gepflegte Schneidwerkzeuge mit scharfen Schneidkanten verklemmen seltener und sind leichter zu führen.
- **Stellen Sie sicher, dass sich alle beweglichen und festen Teile in der richtigen Position befinden, keine Teile gebrochen sind oder sonstige Fehler vorliegen, um den reibungslosen Betrieb des Elektrowerkzeugs sicherzustellen. Wenn das Instrument schadhaft ist, lassen Sie es vor der Benutzung warten.** Viele Unfälle werden durch schlecht gewartete Werkzeuge verursacht.
- **Verwenden Sie für das Gerät nur die vom Hersteller empfohlenen Zubehörteile.** Zubehör, das für ein Gerät geeignet sein kann, kann bei Benutzung mit einem anderen zu Gefahr werden.

### Wartung

- **Die Gerätewartung darf nur von qualifiziertem Reparaturpersonal durchgeführt werden.** Wenn Service- oder Wartungsarbeiten von unqualifiziertem Personal durchgeführt werden, kann es zu Verletzungen kommen.
- **Bei der Wartung nur identische Ersatzteile verwenden. Beachten Sie die Anweisungen im Kapitel**

„Wartung“ dieser Bedienungsanleitung. Die Verwendung nicht genehmigter Teile oder die Nichtbefolgung der Wartungsanweisung kann die Gefahr von elektrischen Schlägen oder Verletzungen erhöhen.

## Sicherheitswarnungen für Hochdruck-Rohrreiner

### ⚠ WARNUNG

Dieser Abschnitt enthält wichtige Sicherheitshinweise, die speziell für dieses Werkzeug gelten.

Lesen Sie vor dem Gebrauch der Rohrreinigungsmaschine diese Sicherheitshinweise sorgfältig durch, um die Gefahr eines Stromschlags oder ernsthafter Verletzungen zu vermeiden.

### ALLE WARNUNGEN UND ANWEISUNGEN ZUR SPÄTEREN EINSICHT AUFBEWAHREN!

Bewahren Sie diese Bedienungsanleitung beim Gerät auf, damit sie dem Bediener jederzeit zur Verfügung steht.

- **Betreiben Sie den Hochdruck-Rohrreiner auf keinen Fall, wenn sich das Schlauchende außerhalb der Rohrleitung befindet.** Der Schlauch kann ausschlagen und Schlagverletzungen verursachen, der Strahl kann die Haut durchdringen und schwere Verletzungen verursachen.
- **Unter hohem Druck stehendes Wasser kann die Haut durchdringen und schwere Verletzungen bis hin zur Abtrennung von Gliedmaßen verursachen.** Sprühen Sie nicht direkt auf Personen oder Tiere.
- **Betreiben Sie Hochdruck-Rohrreiner nicht über dem zulässigen Wert oder bei mehr als 140°F / 60°C (Zulaufwassertemperatur).** Dies erhöht das Risiko von Verletzungen, einschließlich Verbrennungen und Schäden am Hochdruck-Rohrreiner.
- **Eine Person muss den Reinigungsprozess und das Fußventil steuern. Benutzen Sie grundsätzlich das Fußventil.** Wenn der Schlauch des Hochdruck-Rohrreinigers aus der Rohrleitung kommt, muss der Bediener in der Lage sein, den Wasserzufluss zu unterbrechen, um zu vermeiden, dass der Schlauch des Hochdruck-Rohrreinigers ausschlägt und Schlagverletzungen und Hautverletzungen durch hohen Druck verursacht.
- **Tragen Sie immer die geeignete persönliche Schutzausrüstung, wenn Sie mit Rohrreinigungsgeräten arbeiten.** Die Rohrleitung kann Chemikalien, Bakterien und andere Substanzen enthalten, die toxisch oder infektiös sein oder Verätzungen und andere Probleme verursachen können. Zur



persönlichen Schutzausrüstung gehören immer eine Schutzbrille und Schutzhandschuhe, bei Bedarf auch Latex- oder Gummihandschuhe, ein Gesichtsschutz, Spezialbrille, Schutzkleidung, Atemschutz und Sicherheitsschuhe.

- **Achten Sie stets auf Sauberkeit. Waschen Sie Hände und andere Körperteile, die mit Abwässern in Berührung kommen, nach dem Gebrauch oder der Arbeit mit dem Rohrreinigungsgerät gründlich mit heißer Seifenlauge.** Während des Gebrauchs und der Arbeit mit Rohrreinigungsgeräten sind Essen und Rauchen untersagt. Dadurch wird die Verunreinigung mit giftigen oder ansteckenden Stoffen vermieden.
- **Versprühen Sie keine toxischen oder entflammbaren Flüssigkeiten.** Dies mindert das Risiko von Verbrennungen, Feuer, Explosion oder anderen Verletzungen.
- **Benzin und seine Dämpfe sind äußerst leicht entzündlich und explosiv.** Vorkehrungen zu Minderung des Risikos von Verbrennungen, Explosionen und schweren Verletzungen bei Handhabung und Benutzung von Benzin entnehmen Sie bitte dem Motorenhandbuch.
- **Motoren produzieren Kohlenmonoxid, ein farb- und geruchloses giftiges Gas. Einatmen von Kohlenmonoxid kann zu Übelkeit, Ohnmacht oder Tod führen.** Den Motor nicht in geschlossenen Räumen starten und betreiben, auch nicht bei geöffneten Türen und Fenstern. Nur im Freien betreiben.
- **Heiße Oberflächen können Verletzungen und Brände verursachen.** Körperteile und entflammbare Materialien von heißen Oberflächen fernhalten.
- **Machen Sie sich vor dem Betrieb mit diesem Handbuch, dem Motorhandbuch und den Warnungen und Anweisungen für alle mit diesem Gerät benutzte Ausrüstungen vertraut.** Die Nichtbefolgung aller Warnungen und Anweisungen kann zu Sachschäden und/oder schweren Verletzungen führen.

Die EG-Konformitätserklärung (890-011-320.10) kann diesem Handbuch auf Wunsch als separates Heft beigelegt werden.

Falls Sie Fragen zu diesem RIDGID® Produkt haben:

- Wenden Sie sich an Ihren örtlichen RIDGID Händler.
- Besuchen Sie [www.RIDGID.com](http://www.RIDGID.com) oder [www.RIDGID.eu](http://www.RIDGID.eu), um einen RIDGID Kontaktpunkt in Ihrer Nähe zu finden.
- Wenden Sie sich an die Abteilung Technischer Kundendienst von RIDGID unter [rtctechservices@emerson.com](mailto:rtctechservices@emerson.com) oder in den USA und Kanada telefonisch unter (800) 519-3456.

## Beschreibung, technische Daten und Standardausstattung

### Beschreibung

RIDGID® Rohrreinigungsmaschinen sind portable Hochdruckreiniger, die mit einer Kombination von Wasserdruck und Fluss Fett, Schlamm, Ablagerungen und Wurzeln aus Rohrleitungen entfernen. Ein äußerst flexibler und leichter Schlauch wird durch die rückwärts gerichteten Strahlen an der Düse des Hochdruck-Rohrreiniger durch die Rohrleitung bewegt und beseitigt beim Zurückziehen Verschmutzungen aus der Leitung. Wenn die Impulsfunktion aktiviert ist, lassen sich schwierige Krümmungen und Klappen leichter überwinden. Alle Maschinen sind mit Benzinmotoren ausgestattet, die die Triplex-Kolbenpumpe antreiben.

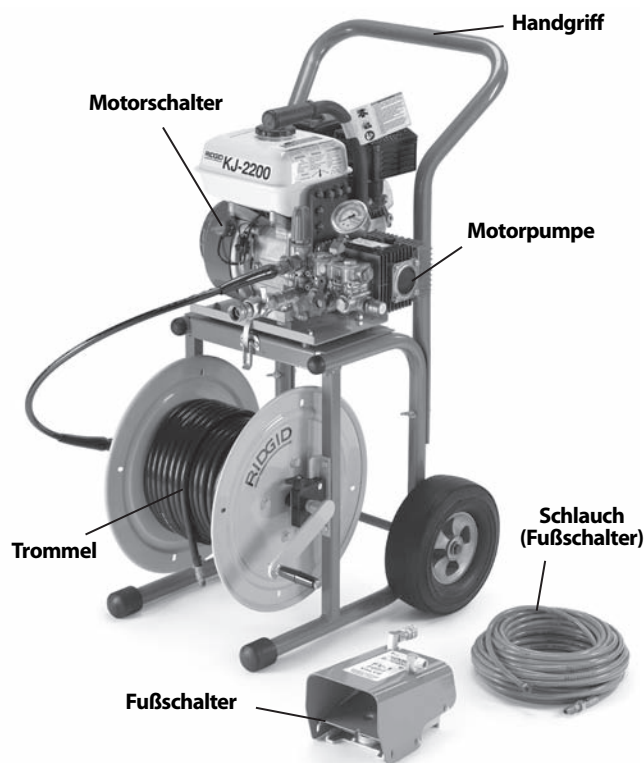


Abbildung 1 – KJ-2200 Hochdruck-Rohrreiniger

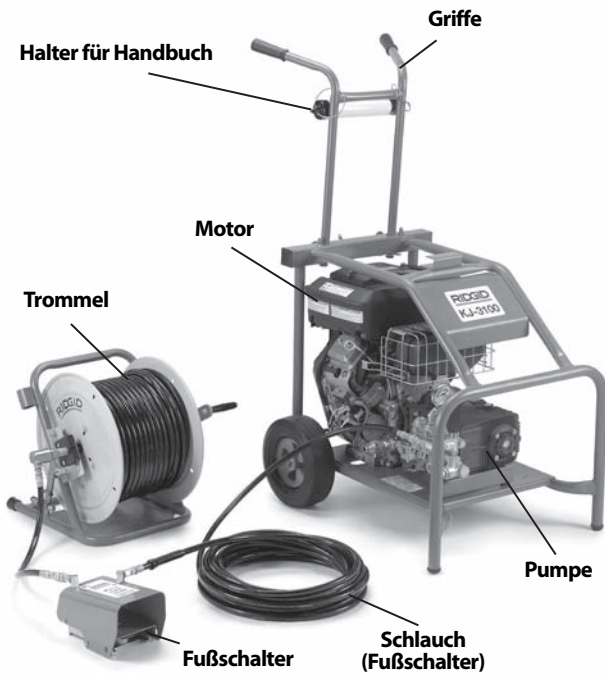


Abbildung 2 – KJ-3100 Hochdruck-Rohrreiniger



Abbildung 3 – Geräteseriennummer

Die Seriennummer der Maschine befindet sich am Rahmen. Die letzten 4 Ziffern geben Monat und Jahr der Herstellung an. (08 = Monat, 10 = Jahr)

**Technische Daten**

Hochdruck-Rohrreini-germodell	Motor PS	Druck PSI / bar
KJ-2200	6.5 / 6,5	2200 / 150
KJ-3100	16	3000 / 205

Flussrate GPM / Liter	Rohrleitungs-kapazität inch / mm	Gewicht (ohne Schlauchtrommel) lbs / kg
2.4 / 9	1 1/4 - 6 / 32 - 152	65 / 30
5.5 / 20	2 - 10 / 50 - 250	262 / 119

**Symbole**



**Standardausstattung**

Alle Hochdruck-Rohrreiniger werden geliefert mit

- Geeigneten Hochdruck-Rohrreinigerdüsen
- Düsenreinigungswerkzeug
- FV-1 Fußventil
- Motorhandbuch

Die spezielle mit der jeweiligen Katalognummer gelieferte Ausrüstung finden Sie im RIDGID Katalog.

**HINWEIS** Diese Maschine dient zum Reinigen von Abflüssen. Bei sachgemäßer Benutzung beschädigt sie Abflussrohre, die sich in einem einwandfreien Zustand befinden und sachgemäß geplant, installiert und gewartet wurden, nicht. Wenn sich das Abflussrohr in einem schlechten Zustand befindet oder nicht sachgemäß geplant, installiert oder gewartet wurde, ist der Rohrreinigungsprozess eventuell nicht effektiv oder kann Schäden am Abfluss verursachen. Am besten lässt sich der Zustand eines Abflussrohrs vor der Reinigung mittels visueller Inspektion mit einer Kamera überprüfen. Unsachgemäße Benutzung dieser Rohrreinigungsmaschine kann Maschine und Rohrleitung beschädigen. Diese Maschine beseitigt unter Umständen nicht alle Blockaden.

## Montage der Maschine

### ⚠️ WARNUNG

**Um schwere Verletzungen bei der Benutzung und Schäden an der Maschine zu vermeiden, befolgen Sie bei der Montage diese Verfahren.**

### Motoröl

**HINWEIS** Hochdruck-Rohrreiner wird ohne Öl im Motor ausgeliefert. Der Betrieb des Motors ohne Öl führt zu Motorschaden. Füllen Sie vor dem Betrieb Öl nach. Spezielle Informationen über das Nachfüllen von Öl und die Ölauswahl finden Sie im mitgelieferten Motorenhandbuch.

### Pumpen-/Getriebeöl

**Pumpe:** Entfernen Sie den Stopfen oben in der Pumpe und ersetzen Sie ihn durch Peilstab/Entlüftungsdeckel. Bei Betrieb des Hochdruck-Rohrreinigers mit eingesetztem Stopfen können die Pumpendichtungen beschädigt werden. Prüfen Sie den Ölstand gemäß dem Abschnitt *Wartungsanweisungen*.

**Getriebe (nur KJ-3100):** Ersetzen Sie den Stopfen oben in der Pumpe durch Peilstab/Entlüftungsdeckel. Bei Betrieb des Hochdruck-Rohrreinigers mit eingesetztem Stopfen können die Getriebedichtungen beschädigt werden. Prüfen Sie den Schmiermittelstand gemäß dem Abschnitt *Wartungsanweisungen*.

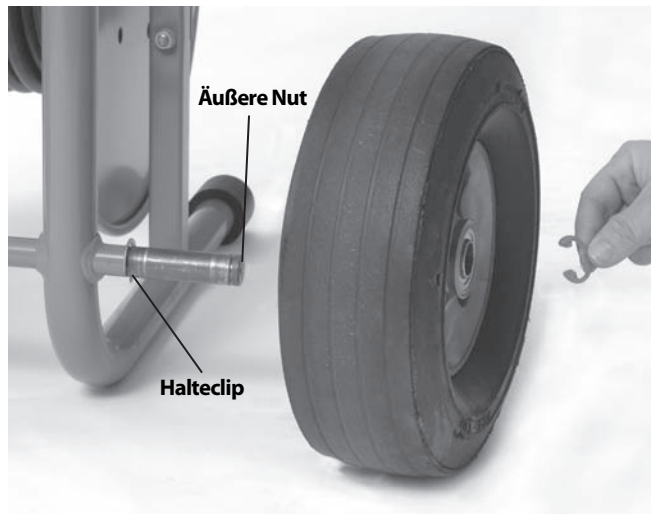


Abbildung 4 – Montage des KJ-2200

### KJ-2200 Fahrgestell

- 1 Halteclip in der Innennut am Ende jeder Achse anbringen. (Siehe Abbildung 4).
- 2 Ein Rad auf jede Achse schieben.
- 3 Halteclip in der Außennut am Ende jeder Achse anbringen, um das Rad zu halten.
- 4 Mit den mitgelieferten Schrauben und Flügelmutter den Griff am Rahmen anbringen.
- 5 Die Motor-/Pumpenbaugruppe auf das Fahrgestell heben, die Öffnungen in der Grundplatte mit den Stiften oben im Fahrgestell zur Übereinstimmung bringen. Mit den Riegeln am Fahrgestell Motor/Pumpe sichern. Vergewissern Sie sich, dass die Baugruppe sicher befestigt ist.

### KJ-3100 Griffbaugruppe

- 1 Den Griff durch die beiden Öffnungen im hinteren Querträger des Rahmens stecken. (Siehe Abbildung 5).
- 2 Einen Splint durch die Öffnungen unten im Griff stecken, damit der Griff nicht herausgezogen wird.
- 3 Schrauben Sie die T-Knebel in den hinteren Querträger. Stellen Sie die Griffe nach Bedarf ein und ziehen Sie die Knebel an, um den Griff zu sichern.

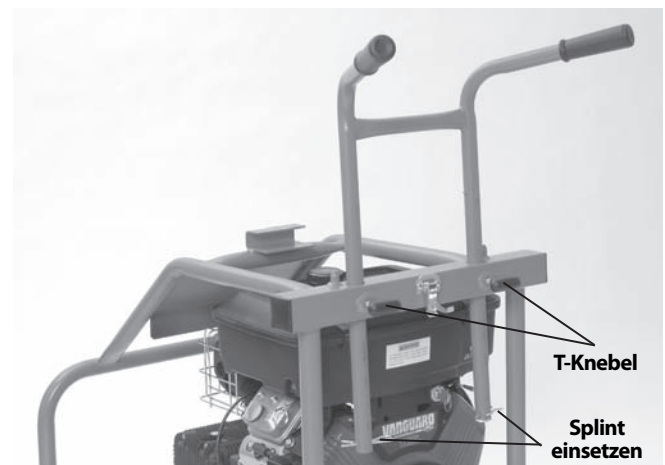
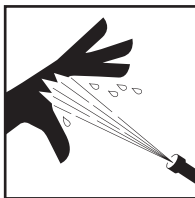


Abbildung 5 – KJ-3100 Griffbaugruppe

## Kontrolle vor dem Betrieb

### ⚠️ WARNUNG



**Kontrollieren Sie Ihren Hochdruck-Rohrreiniger vor jedem Gebrauch und beheben Sie eventuelle Störungen, um die Verletzungsgefahr durch Stromschlag oder andere Ursachen sowie Schäden am Hochdruck-Rohrreiniger zu vermeiden.**

**Tragen Sie bei der Inspektion Ihres Hochdruck-Rohrreinigers grundsätzlich Schutzbrille, Handschuhe und andere geeignete Schutzausrüstung, um sich vor Chemikalien und Bakterien auf der Ausrüstung zu schützen.**

- 1 Vergewissern Sie sich, dass der Motorschlüssel/Schalter sich in der Position OFF befindet.
- 2 Beseitigen Sie Öl, Fett oder Schmutz von der Ausrüstung, einschließlich Griffen und Bedienelementen. Dies erleichtert die Inspektion und hilft, zu vermeiden, dass Maschine oder Bedienelemente Ihnen aus den Händen gleiten.
- 3 Überprüfen Sie Hochdruck-Rohrreiniger und Zubehör hinsichtlich folgender Punkte:
  - Korrekte Montage und Vollständigkeit.
  - Gebrochene, verschlissene, fehlende, falsch ausgerichtete, klemmende oder lose Teile.
  - Vorhandensein und Lesbarkeit von Warnaufklebern. (Siehe Abbildung 6).
  - Alle Umstände, die einen sicheren und normalen Betrieb verhindern könnten.

Wenn Probleme festgestellt werden, benutzen Sie den Hochdruck-Rohrreiniger erst, wenn die Probleme behoben sind.



Abbildung 6A – KJ-2200 Warnaufkleber



Abbildung 6B – KJ-2200 Warnaufkleber

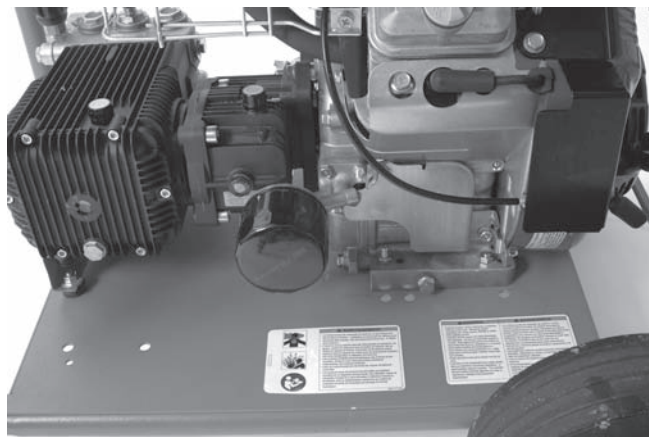
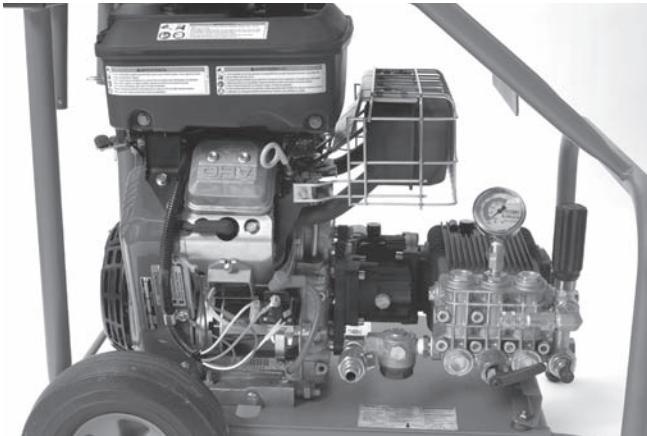


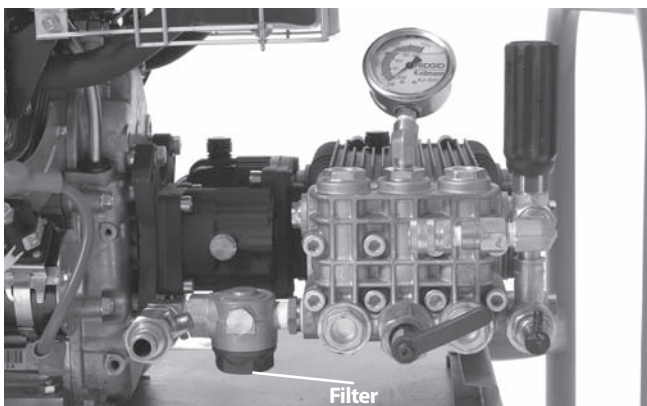
Abbildung 6C – KJ-3100 Warnaufkleber





**Abbildung 6D – KJ-3100 Warnaufkleber**

- 4 Wasserzulauffilter/Filterwäscher reinigen. Zur Reinigung den Deckel unten am Zulauffilter entfernen. Schmutz und Fremdkörper können den Wasserfluss zur Pumpe hemmen und Leistungsprobleme verursachen.



**Abbildung 7 – Einlassfilter/Filterwäscher**

- 5 Überprüfen Sie die Öffnungen der Hochdruck-Rohrreinerdüse auf Schäden oder Blockaden. Blockaden können mit einem Düsenreinigungswerkzeug beseitigt werden. Erweitern Sie die Düsenöffnungen beim Reinigen nicht. Schadhafte Düsen oder Düsen mit erweiterten Öffnungen können die Leistung des Hochdruck-Rohrreinigers verringern und sollten ersetzt werden.
- 6 Überprüfen Sie Schläuche, Anschlüsse und Armaturen auf Verschleiß und Schäden. Wenn der Schlauch Knicke, Risse, Brüche oder Verschleiß des äußeren Mantels aufweist, benutzen Sie den Schlauch nicht. Schadhafte Schläuche können platzen und unter hohem Druck stehendes Wasser kann austreten und schwere Verletzungen verursachen. Ersatzschläuche und Armaturen sollten mindestens für den Nenn- druck des Hochdruck-Rohrreiniger geeignet sein.

- 7 Überprüfen und warten Sie den Motor entsprechend dem Motorhandbuch.
- 8 Überprüfen Sie den Kraftstoffstand des Motors. Lösen Sie beim KJ-3100 die Schlauchtrommelverriegelung und drehen Sie die Schlauchtrommel vorwärts, bis sie am Rahmen anliegt, um den Tankdeckel erreichen zu können *Abbildung 8*. Bei Bedarf bleifreies Benzin nachfüllen. Details siehe Motorhandbuch. Vorsicht beim Umgang mit Benzin. In einem gut belüfteten Bereich tanken. Den Tank nicht zu sehr füllen und keinen Kraftstoff verschütten. Vergewissern Sie sich, dass der Tankdeckel fest geschlossen ist.



**Abbildung 8 – KJ-3100 Zugang zum Kraftstofftank**

- 9 Den Ölstand in der Pumpe und im Getriebe (sofern vorhanden) und bei Bedarf Öl nachfüllen (*siehe Abschnitts Wartungsanweisungen*).

## Vorbereiten von Maschine und Arbeitsbereich

### ⚠️ WARNUNG



**Tragen Sie bei der Vorbereitung Ihres Hochdruck-Rohrreinigers grundsätzlich Schutzbrille, Handschuhe und andere geeignete Schutzausrüstung, um sich vor Chemikalien und Bakterien auf der Ausrüstung zu schützen. Rutschfeste Schuhe mit Gummisohlen können das Ausrutschen auf nassen Flächen, vermeiden.**

**Motoren produzieren Kohlenmonoxid, ein farb- und geruchloses giftiges Gas. Einatmen von Kohlenmonoxid kann zu Übelkeit, Ohnmacht oder Tod führen. Den Motor nicht in geschlossenen Räumen starten und betreiben, auch nicht bei geöffneten Türen und Fenstern. Nur im Freien betreiben.**

**Beachten Sie bei der Vorbereitung von Hochdruck-Rohrreiniger und Arbeitsbereich diese Verfahren, um das Risiko von Verletzungen durch unter Druck stehendes Wasser, Chemikalienverätzungen, Infektionen, Kohlenmonoxid und andere Ursachen zu reduzieren und Schäden am Hochdruck-Rohrreiniger zu verhindern.**

1 Prüfen Sie den Arbeitsbereich auf:

- Ausreichende Beleuchtung.
- Entflammbare Flüssigkeiten, Dämpfe oder Stäube, die sich entzünden könnten. Sind solche Gefahrenquellen vorhanden, arbeiten Sie in diesen Bereichen erst, wenn diese erkannt und beseitigt wurden. Der Hochdruck-Rohrreiniger ist nicht explosionsgeschützt und kann Funkenbildung verursachen.
- Freien, ebenen, stabilen und trockenen Arbeitsplatz für das Gerät und den Bediener. Entfernen Sie ggf. das Wasser aus dem Arbeitsbereich. Holz oder andere Abdeckungen müssen eventuell entfernt werden.
- Hochdruck-Rohrreiniger in einem gut belüfteten Bereich im Freien. Den Hochdruck-Rohrreiniger nicht in einem Raum betreiben, auch nicht bei geöffneten Türen und Fenstern. Der Hochdruck-Rohrreiniger kann in einer gewissen Entfernung zum Einsatzort aufgestellt werden.
- Geeignete Wasserzufuhr.

- Ungehinderter Zugang zum Transportieren des Hochdruck-Rohrreinigers zum Aufstellort.
- 2 Die zu reinigende Rohrleitung inspizieren. Falls möglich, bestimmen Sie Zugangspunkt(e), Größe(n) und Länge(n) des Abflusses, Entfernung zu Tanks oder Hauptleitungen, Art der Blockade, das Vorhandensein von Rohrreinigungskemikalien oder anderen Chemikalien usw. Falls Chemikalien im Abfluss vorhanden sind, müssen die besonderen Sicherheitsmaßnahmen bei der Arbeit in chemikalienbelasteten Umgebungen bekannt sein. Fragen Sie beim Hersteller der Chemikalien nach den jeweiligen Produktinformationen.

Entfernen Sie bei Bedarf Armaturen (WC usw.), um den Zugang zum Abfluss zur Rohrleitung zu ermöglichen. Den Schlauch nicht durch eine Armatur schieben. Dadurch könnten Schlauch und Armatur beschädigt werden.

- 3 Bestimmen Sie die für den Einsatzbereich geeigneten Geräte. Informationen über diese Hochdruck-Rohrreiniger siehe *Abschnitt Technische Daten*. Rohrleitungsreiniger und Hochdruck-Rohrreiniger für andere Anwendungen sind im RIDGID Katalog, online auf [www.RIDGID.com](http://www.RIDGID.com) oder auf [www.RIDGID.eu](http://www.RIDGID.eu) zu finden.
- 4 Stellen Sie sicher, dass alle Geräte ordnungsgemäß kontrolliert wurden.
- 5 Besichtigen Sie den Arbeitsbereich und überprüfen Sie, ob Barrieren aufgestellt werden müssen, die unbefugte Personen fernhalten. Unbefugte können den Bediener ablenken. Bei Arbeiten in Verkehrsnähe sind Warnkegel oder andere Signale aufzustellen, die die Verkehrsteilnehmer warnen.
- 6 Bringen Sie bei Bedarf Schutzabdeckungen im Arbeitsbereich an. Bei der Rohrreinigung kann Schmutz anfallen.
- 7 Bringen Sie den Hochdruck-Rohrreiniger über den freien Weg zum gut belüfteten Arbeitsbereich im Freien. Wenn die Maschine gehoben werden muss, wenden Sie geeignete Hebetekniken an. Vorsicht beim Bewegen der Maschine über Treppen, mögliche Rutschgefahr berücksichtigen. Geeignetes Schuhwerk tragen, um Ausrutschen zu vermeiden.

## Wasserversorgung

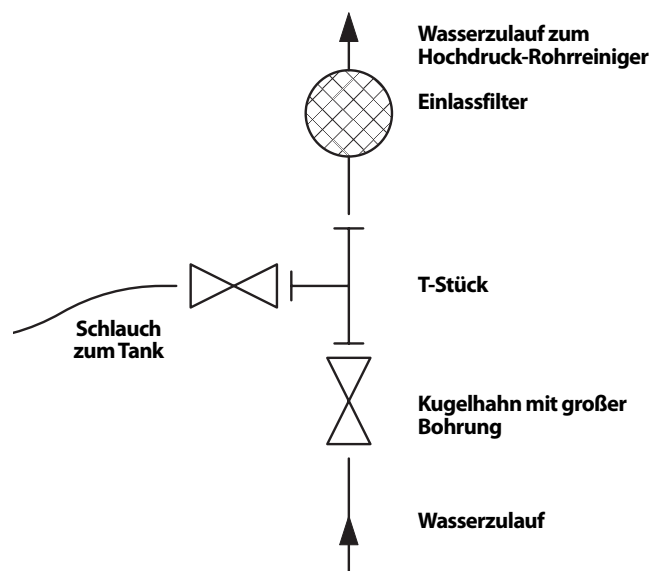
Vergewissern Sie sich, dass die Wasserzufuhr zum Hochdruck-Rohrreiner ausreicht. Führen Sie einen Schlauch vom Wasseranschluss zum Hochdruck-Rohrreiner. Benutzen Sie einen möglichst kurzen Schlauch mit möglichst großem Durchmesser. Ein Schlauch mit 3/4" / 19 mm Innendurchmesser ist die empfohlene Mindestgröße. Ein geeignetes Rückschlagventil sollte verwendet werden, um die örtlichen Vorschriften zu erfüllen. Drehen Sie das Wasser am Wasseranschluss auf und messen Sie die Zeit, die zum Füllen eines 5 gal. / 18,9-Liter-Eimers erforderlich ist. Die maximalen Füllzeiten für die einzelnen Hochdruck-Rohrreiner sehen Sie in der folgenden Tabelle.

Hochdruck-Rohrreiner	Nennwert GPM / Liter	Maximale Füllzeit eines Eimers mit 5 gal. / 18,9 l
KJ-2200	2.4 / 9	125 Sekunden
KJ-3100	5.5 / 20	55 Sekunden

Unzureichender Wasserfluss verhindert, dass der Hochdruck-Rohrreiner den Nenndruck erreicht und könnte zur Beschädigung der Pumpe führen. Überprüfen Sie das Wasser im Eimer auf Schmutz und Fremdkörper. Schmutz und Fremdkörper in der Wasserzufuhr können zu übermäßigem Pumpenverschleiß führen, die Filterdüsen des Hochdruck-Rohrreinigers verstopfen und die Leistung mindern. Kein Wasser aus Teichen, Seen oder anderen Quellen, die verschmutzt sein könnten, verwenden.

Bei unzureichendem Wasserfluss könnte eine mögliche Lösung darin bestehen, Armaturen zu verwenden, mit denen sich mehrere Zufuhrschläuche an den Hochdruck-Rohrreiner anschließen lassen oder einen Tank zu verwenden.

Wenn ein Tank verwendet wird, ein T-Stück mit Kugelhähnen mit großer Bohrung an den Wasserzulauf des Hochdruck-Rohrreinigers anschließen, wie in *Abbildung 9* gezeigt. Schließen Sie einen 3/4" / 19 mm Schlauch mit maximal 6 ft / 1,8 m Länge an den Auslass des T-Stücks an und verbinden Sie die Wasserversorgung mit dem Zulauf des T-Stücks. Das Schlauchende entweder in den Tank legen oder mit dem Tankanschluss verbinden. Die Gesamtlänge des Tankschlauchs sollte maximal 5" / 12,7 cm über dem Wasserzulauf des Hochdruck-Rohrreinigers liegen, anderenfalls saugt der Hochdruck-Rohrreiner kein Wasser aus dem Tank an.



**Abbildung 9 – Wasserzufuhranschlüsse bei Benutzung eines Tanks**

Füllen Sie den Tank, bevor Sie den Hochdruck-Rohrreiner starten. Schließen Sie beim Starten des Hochdruck-Rohrreinigers den Tankhahn. Sobald der Hochdruck-Rohrreiner gestartet ist, öffnen Sie den Tankhahn. Überwachen Sie den Wasserstand im Tank und unterbrechen Sie bei Bedarf die Arbeit, damit der Tank wieder gefüllt werden kann. Verhindern Sie, dass der Wasserstand unter das Schlauchende fällt.

Für eine bessere Reinigungswirkung kann heißes Wasser verwendet werden. Das Wasser sollte nicht heißer als 140°F / 60°C sein, da sonst der Überlastungsschutz der Pumpe auslösen könnte. Benutzen Sie bei Verwendung von heißem Wasser eine geeignete persönliche Schutzausrüstung, um das Verbrühungsrisiko zu verringern.

Verhindern Sie bei Einsatz bei kalter Witterung, dass Wasser in der Pumpe gefriert. Dadurch kann die Pumpe beschädigt werden.

Achten Sie darauf, dass der Zulaufhahn am Hochdruck-Rohrreiner geschlossen ist und schließen Sie den Zufuhrschlauch an den Hochdruck-Rohrreiner an.



## Vorbereitung der Rohrleitung

Verwenden Sie bei der Arbeit durch Kanalschächte, Gitterroste oder andere große Zugänge eine Führung für den Hochdruck-Rohrreinigerschlauch von der Rohrleitungsöffnung zum Einsatzpunkt. So wird verhindert, dass der Hochdruck-Rohrreinigerschlauch im Zugang ausschlägt und der Schlauch wird vor Schäden geschützt.



**Abbildung 10 – Verlängern der Rohrleitungsöffnung zum Betriebspunkt**

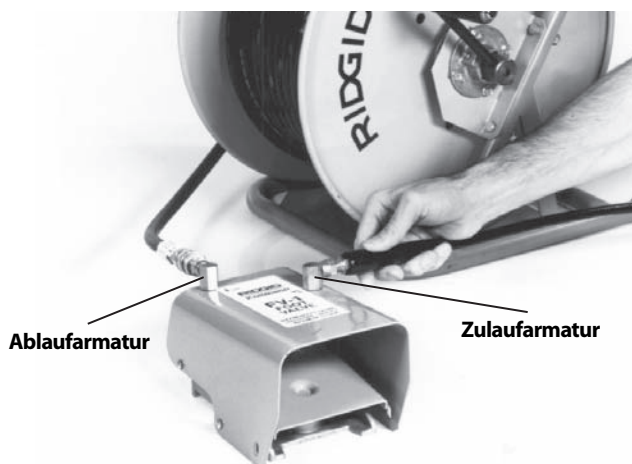
## Vorbereitung des Schlauchs

Vorsicht beim Verlegen von Hochdruck-Rohrreinigerschläuchen. Wenn Schläuche über raue Oberflächen, scharfe Kanten, querende Schläuche usw. verlegt werden, kann der Schlauchmantel beschädigt werden, besonders wenn der Hochdruck-Rohrreiniger im Impulsmodus eingesetzt wird. Wenn der Hochdruck-Rohrreinigerschlauch auf der Trommel bleibt, hilft dies, Schlauchschäden zu minimieren.

- 1 Wählen Sie eine Hochdruck-Rohrreinigerschlauchgröße, die für die zu reinigende Rohrleitung geeignet ist. Es wird bei der Reinigung von Rohrleitungen generell nicht empfohlen, zwei Hochdruck-Rohrreinigerschläuche mit einander zu verbinden. Die Verbindung zweier Schläuche ist weniger flexibel und kann den Durchgang durch Armaturen verhindern. *Siehe Auswahltable für Hochdruck-Rohrreinigerschläuche.*
- 2 Trennen Sie bei Bedarf die Schlauchtrommel von der Motor oder Pumpenbaugruppe. Positionieren Sie die Schlauchtrommel maximal 3 ft / 90 cm von

der Öffnung der Rohrleitung entfernt. Verhindern Sie, dass sich zu viel Schlauch außerhalb der Rohrleitung befindet, um Schäden am Schlauch zu verhindern. Wenn die Schlauchtrommel nicht in einem Abstand von maximal 3 ft / 90 cm zur Öffnung der Rohrleitung platziert werden kann, verlängern Sie die Öffnung der Rohrleitung mit Rohren und Armaturen ähnlicher Größe in Richtung der Schlauchtrommel.

- 3 Führen Sie einen Schlauch vom Hochdruck-Rohrreiniger zum Anschluss IN des Fußventils. Verwenden Sie zum Abdichten der Verbindung Teflon-Band. Positionieren Sie das Fußventil so, dass es zugänglich ist. Sie müssen in der Lage sein, den Hochdruck-Rohrreinigerschlauch und das Fußventil zu kontrollieren.
- 4 Verbinden Sie den Schlauch von der Trommel mit dem Anschluss OUT des Fußventils.



**Abbildung 11 – Fußventilanschluss**

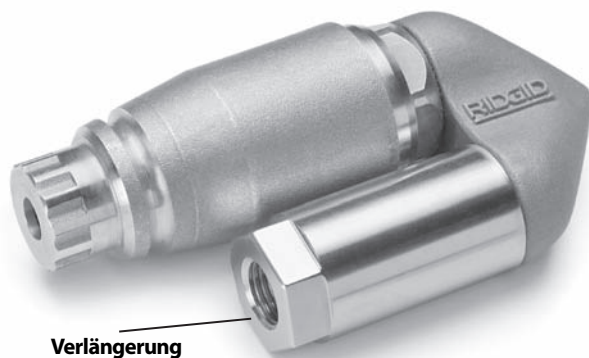
- 5 Markieren Sie den Hochdruck-Rohrreinigerschlauch nahe am Ende, um anzuzeigen, wann die Düse beim Zurückziehen in die Nähe der Rohrleitungsöffnung gelangt. So soll vermieden werden, dass die Düse aus der Rohrleitung kommt und ausschlägt. Der Abstand hängt von der Konfiguration der Rohrleitung ab, sollte aber mindestens 4' / 1,2 m betragen.
- 6 Entfernen Sie die Düse vom Ende des Hochdruck-Rohrreinigerschlauchs und platzieren Sie das Ende des Hochdruck-Rohrreinigerschlauchs in der Rohrleitung. Öffnen Sie das Zulaufventil, um Luft und Fremdkörper aus dem Hochdruck-Rohrreiniger und den Schläuchen zu entfernen. Lassen Sie das Wasser mindestens 2 Minuten laufen.
- 7 Schließen Sie das Zulaufventil.
- 8 Wählen Sie eine Düse. Verwenden Sie Düsen, die speziell für den verwendeten Hochdruck-Rohrreiniger



dimensioniert sind. Die Verwendung falscher Düsen kann zu mangelhafter Leistung (niedrigem Betriebsdruck oder geringem Fluss) führen oder den Hochdruck-Rohrreiner durch übermäßig hohen Druck beschädigen. Achten Sie darauf, dass die Düsenöffnungen frei und offen sind. *Siehe Auswahltabelle für Hochdruck-Rohrreinerdüsen.*

Bei Verwendung der RR3000 Düse für Rohrleitungen, die größer als 6" / 152 mm und bis zu 9" / 229 mm sind, muss die Verlängerung verwendet werden. Für Rohrleitungen bis 6" / 152 mm ist keine Verlängerung erforderlich. Ziehen Sie bei Bedarf die Verlängerung fest von Hand am RR3000 an – nicht zu fest. Wird die RR3000 Düse in einer Leitung zwischen 6" und 9" / 152 mm und bis 229 mm ohne Verlängerung oder in Leitungen von mehr als 9" / 229 mm verwendet, kann die Düse in der Rohrleitung die Richtung wechseln, beim Benutzer austreten und schwere Verletzungen verursachen (*Abbildung 12*).

- 9 Die Düse von Hand fest am Schlauchende anziehen – nicht zu fest. Durch zu festes Anziehen der Düse kann die Düse beschädigt werden und die Leistung kann beeinträchtigt werden.
- 10 Führen Sie den Schlauch mit montierter Düse in die Rohrleitung ein und öffnen Sie das Zulaufventil. Vergewissern Sie sich, dass das Wasser ungehindert durch die Düse strömt und schließen Sie das Zulaufventil.



**Abbildung 12 – RR3000 Düse mit Verlängerung**

**Hochdruck-Rohrreinigerschlauch AUSWAHLTABELLE**

Anwendungsbereiche		Rohrgröße inch / mm	Düsengröße inch / mm	Schlauchgröße (ID) inch / mm	Schlauchgröße (OD) inch / mm
KJ-2200	Waschbecken, Urinale und enge Leitungen.	1 1/4 - 2 / 32 - 50	1/8 / 3,2 NPT	1/8 / 3,2	3/16 / 4,8
	Spülbecken, Handwaschbecken, Kamine, Siphons und Entlüftungsöffnungen.	2 - 3 / 50 - 76	1/8 / 3,2 NPT	3/16 / 4,8	1/4 / 6,4
	Dusch- und Bodenabläufe, Seitenleitungen und Fettabscheider.	3 - 4 / 76 - 101	1/4 / 6,4 NPT	1/4 / 6,4	1/2 / 13
	Seiten- und Hauptleitungen.	4 - 6 / 101 - 152	1/4 / 6,4 NPT	1/4 / 6,4	1/2 / 13
KJ-3100	Kamine, Siphons und Entlüftungen.	2 - 3 / 50 - 76	1/8 / 3,2 NPT	3/16 / 4,8	1/4 / 6,4
	Bodenabläufe, Seitenleitungen und Fettabscheider.	3 - 4 / 76 - 101	1/4 / 6,4 NPT	3/8 / 9,5	5/8 / 16
	Seiten- und Hauptleitungen.	4 - 10 / 101 - 250	1/4 / 6,4 NPT	3/8 / 9,5	5/8 / 16

**Hochdruck-Rohrreinigerdüse AUSWAHLTABELLE**

KJ-2200	<b>Gewindegröße, inch / mm</b>	1/8 / 3,2 NPT	1/4 / 6,4 NPT
	<b>Schlauchgröße (Innendurchmesser), inch / mm</b>	1/8 & 3/16 / 3,2 & 4,8	1/4 / 6,4
	<b>Schlauchgröße (Außendurchmesser), inch / mm</b>	3/16 & 1/4 / 4,8 & 6,4	1/2 / 13
	Zum Druckstrahlen auf größere Distanz mit drei nach hinten gerichteten Düsen für maximalen Vortrieb versehen. Diese Düse kann für die meisten Anwendungen verwendet werden.	<b>H-61</b>	<b>H-71</b>
	Arbeitet mit drei nach hinten gerichteten Düsen und einer nach vorne gerichteten Düse, um massive Fett- oder Schlammblockaden zu durchdringen. Der nach vorne gerichtete Strahl sprengt ein kleines Loch in die Blockade, durch das die Düse passt. Dies ist auch beim Entfernen von Eisblockaden sehr effektiv.	<b>H-62</b>	<b>H-72</b>
	Die Fallstrangdüse hilft, schwierige Krümmungen zu überwinden. Diese Düse hat drei nach hinten gerichtete Strahlen.	<b>H-64</b>	
	Verwenden Sie die rotierende Düse, um Fett und ähnliche Blockaden aus Rohrleitungen zu entfernen.	<b>H-65</b>	<b>H-75</b>
KJ-3100	<b>Gewindegröße, inch / mm</b>	1/8 / 3,2 NPT	1/4 / 6,4 NPT
	<b>Schlauchgröße (Innendurchmesser), inch / mm</b>	3/16 / 4,8	3/8 / 9,5
	<b>Schlauchgröße (Außendurchmesser), inch / mm</b>	1/4 / 6,4	5/8 / 16
	Zum Druckstrahlen auf größere Distanz mit vier (4) nach hinten gerichteten Düsen für maximalen Vortrieb versehen. Diese Düse kann für die meisten Anwendungen verwendet werden.	<b>H-101</b>	<b>H-111</b>
	Arbeitet mit drei nach hinten gerichteten Düsen und einer nach vorne gerichteten Düse, um massive Fett- oder Schlammblockaden zu durchdringen. Der nach vorne gerichtete Strahl sprengt ein kleines Loch in die Blockade, durch das die Düse passt. Dies ist auch beim Entfernen von Eisblockaden sehr effektiv.	<b>H-102</b>	<b>H-112</b>
	Die Fallstrangdüse hilft, schwierige Krümmungen zu überwinden. Diese Düse hat vier (4) nach hinten gerichtete Strahlen.	<b>H-104</b>	
	Verwenden Sie die rotierende Düse, um Fett und ähnliche Blockaden aus Rohrleitungen zu entfernen.	<b>H-105</b>	<b>H-115</b>
Verwenden, um Wurzeln und andere Arten von Blockaden zu beseitigen. HINWEIS! Verwenden Sie die Verlängerung, um die RR3000 bei der Reinigung von Rohrleitungen mit 8" / 200 mm Durchmesser zu stabilisieren.		<b>RR3000</b>	

## Betriebsanleitung

### ⚠️ WARNUNG



Tragen Sie stets einen Augenschutz zum Schutz der Augen vor Schmutz und Fremdkörpern. Tragen Sie immer die für die Arbeitsumgebung geeignete persönliche Schutzausrüstung.

Betreiben Sie den Hochdruck-Rohrreiniger nicht, wenn das Schlauchende sich außerhalb der Rohrleitung befindet. Der Schlauch kann ausschlagen und Schlagverletzungen verursachen, der Strahl kann die Haut durchdringen und schwere Verletzungen verursachen.

Unter hohem Druck stehende Flüssigkeit kann die Haut durchdringen und schwere Verletzungen bis hin zur Abtrennung von Gliedmaßen verursachen. Sprühen Sie nicht direkt auf Personen oder Tiere.

Betreiben Sie Hochdruck-Rohrreiniger nicht über dem zulässigen Wert oder bei mehr als 140°F / 60°C (Zulaufwassertemperatur). Dies erhöht das Risiko von Verletzungen, einschließlich Verbrennungen und Schäden am Hochdruck-Rohrreiniger.

Eine Person muss den Reinigungsprozess und das Fußventil steuern. Benutzen Sie grundsätzlich das Fußventil. Wenn der Schlauch des Hochdruck-Rohrreinigers aus der Rohrleitung kommt, muss der Bediener in der Lage sein, den Wasserzufluss zu unterbrechen, um zu vermeiden, dass der Schlauch des Hochdruck-Rohrreinigers ausschlägt und Schlagverletzungen und Hautverletzungen durch hohen Druck verursacht.

Tragen Sie immer die geeignete persönliche Schutzausrüstung, wenn Sie mit Rohrreinigungsgaräten arbeiten. Die Rohrleitung kann Chemikalien, Bakterien und andere Substanzen enthalten, die toxisch oder infektiös sein oder Verätzungen und andere Probleme verursachen können. Zur persönlichen Schutzausrüstung gehören immer eine Schutzbrille und Schutzhandschuhe, bei Bedarf auch Latex- oder Gummihandschuhe, ein Gesichtsschutz, Spezialbrille, Schutzkleidung, Atemschutz und Sicherheitsschuhe.

Halten Sie sich an die Bedienungsanweisungen, um das Risiko der Verletzung durch schlagende Schläuche, unter hohem Druck stehende Flüssigkeiten, Kohlenmonoxid und andere Ursachen zu reduzieren.

- 1 Kontrollieren Sie, ob die Maschine und der Arbeitsbereich richtig vorbereitet wurden und der Arbeitsbereich frei von unbeteiligten Personen und anderen Hindernissen ist. Wenn der Hochdruck-Rohrreiniger entfernt vom Einsatzort aufgestellt ist, sollte sich eine andere Person am Hochdruck-Rohrreiniger aufhalten.
- 2 Führen Sie den Schlauch mit montierter Düse mindestens 1 m weit in die Rohrleitung ein, sodass das Ende des Schlauchs nicht aus der Rohrleitung austritt und ausschlägt, wenn die Maschine gestartet wird.
- 3 Vergewissern Sie sich, dass der Impulsbetätigungshebel gegen den Uhrzeigersinn in die Position "Pressure" gedreht ist (Abbildung 16).
- 4 Öffnen Sie das Zulaufventil. Starten Sie den Motor niemals ohne geöffnete Wasserversorgung. Dadurch kann die Pumpe beschädigt werden.
- 5 Treten Sie das Fußventil, um den Druck zu mindern und den Motor starten zu können. Vergewissern Sie sich, dass das Wasser ungehindert durch die Düse fließt. Starten Sie den Motor entsprechend den Anweisungen im Motorhandbuch. Lassen Sie den Motor warmlaufen.

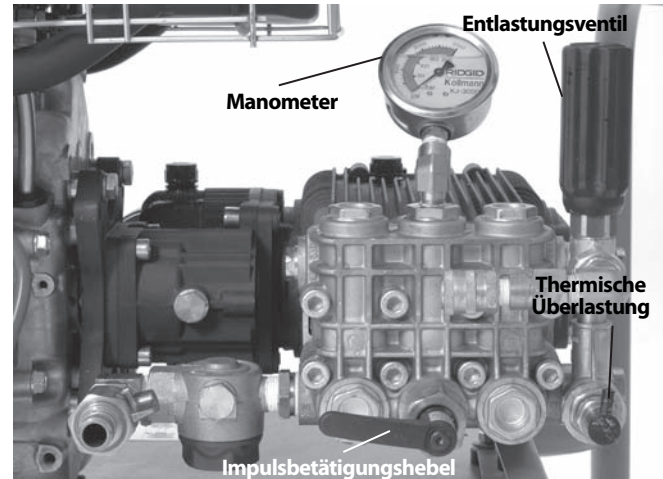


Abbildung 13 – Bedienelemente

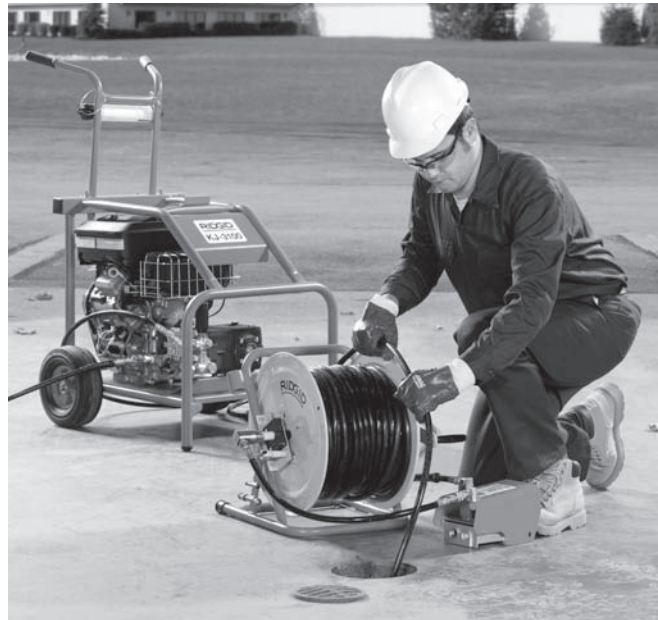
- 6 Drehen Sie das Entlastungsventil, überwachen Sie die Druckanzeige, um den Druck nach Bedarf einzustellen (im Uhrzeigersinn, um den Druck zu erhöhen, gegen den Uhrzeigersinn, um den Druck zu verringern). Den Nenndruck der verwendeten Maschine nicht überschreiten. Das Entlastungsventil nicht gewaltsam bewegen oder Schraubenschlüssel oder andere Werkzeuge zum Drehen verwenden. Dadurch wird das Entlastungsventil beschädigt.

Hochdruck-Rohrreiner	Nenndruck, PSI / bar
KJ-2200	2200 / 150
KJ-3100	3000 / 205

Wenn der Hochdruck-Rohrreiner den Nenndruck nicht erzeugt oder unregelmäßig arbeitet:

- Vergewissern Sie sich, dass die Motordrossel korrekt eingestellt ist.
  - Vergewissern Sie sich, dass das Zulaufventil vollständig geöffnet ist und dass andere Ventile im Zufuhrsystem vollständig geöffnet sind.
  - Drehen Sie das Entlastungsventil im Uhrzeigersinn, um den Druck zu erhöhen. Keine Gewalt anwenden.
  - Der Impulsbetätigungshebel muss sich in der Stellung "Pressure" befinden.
  - Bewegen Sie den Impulsbetätigungshebel mehrere Male zwischen den Positionen "Pressure" und "Pulse" hin und her, während das Gerät läuft, um das System zu entlüften.
  - Überprüfen Sie das System auf Undichtigkeiten. Vorsicht bei der Inspektion, um Verletzungen zu vermeiden. Wenn Lecks gefunden werden, den Hochdruck-Rohrreiner abschalten, bevor das Problem behoben wird.
  - Schalten Sie den Hochdruck-Rohrreiner ab. Überprüfen Sie den Einlassfilter/Filterwäscher und vergewissern Sie sich, dass er frei von Fremdkörpern ist.
  - Vergewissern Sie sich, dass der Wasserfluss zum Hochdruck-Rohrreiner ausreicht.
  - Schalten Sie den Hochdruck-Rohrreiner ab und schließen Sie das Zulaufventil. Düse entfernen und Öffnungen mit Düsenreinigungswerkzeug säubern.
  - Den Hochdruck-Rohrreiner ohne Düse am Schlauch laufen lassen, um Luft oder Fremdkörper aus dem System zu beseitigen. Den Hochdruck-Rohrreiner abschalten, bevor Düsen entfernt oder angebracht werden.
- 7 Nehmen Sie eine ordnungsgemäße Arbeitsposition ein.
- Vergewissern, dass sich das Fußventil bedienen lässt. Das Fußventil noch nicht betätigen.
  - Auf Gleichgewicht achten und nicht zu weit in eine Richtung beugen.
  - Sie müssen jederzeit in der Lage sein, eine Hand am Hochdruck-Rohrreinigerschlauch zu haben, um den Schlauch zu führen und zu halten.
  - Sie müssen die Trommel erreichen können, um den Schlauch auf- oder abzuwickeln.

Diese Betriebsposition hilft, die Kontrolle des Hochdruck-Rohrreinigerschlauchs aufrecht zu erhalten.



**Abbildung 14 – Richtige Betriebsposition**

### Reinigen der Rohrleitung


Beim Reinigen einer Rohrleitung wird der Schlauch normalerweise über die gesamte zu reinigende Distanz in die Rohrleitung geschoben und dann langsam zurückgezogen. So kann das Wasser unter hohem Druck auf die Wände der Rohrleitung gerichtet werden, um Ablagerungen zu beseitigen.

Lösen Sie den Verriegelungsstift an der Schlauchtrommel. Schieben Sie mindestens 1 m Schlauch in die Rohrleitung, lassen Sie eine Hand am Schlauch, um dessen Bewegung zu kontrollieren, treten Sie das Fußventil. Die nach hinten gerichteten Strahldüsen an der Düse helfen den Schlauch in die Rohrleitung zu ziehen. Schieben Sie den Schlauch so weit hinein, wie dies für die Reinigung erforderlich ist. Wenn der Schlauch sich nicht mehr bewegen lässt, ist er auf irgendein Hindernis gestoßen.

Wenn die Düse ein Hindernis, beispielsweise einen Richtungswechsel (Siphon, Krümmung usw.) oder eine Blockade nicht überwinden kann.

- Schieben Sie den Schlauch mit kräftigen Bewegungen.
- Drehen Sie den Schlauch eine viertel bis eine halbe Umdrehung, um den Schlauch dem Richtungswechsel anzupassen (wenn der Schlauch gedreht wurde, drehen Sie ihn, sobald das Hindernis überwunden ist, zurück, um Knicke zu vermeiden) *siehe Abbildung 15.*



- Verwenden Sie den Impulsmodus.  (siehe nächster Abschnitt).
- Verwenden Sie einen Siphonschlauch oder einen Schlauch mit kleinerem Durchmesser.



**Abbildung 15 – Drehen des Schlauchs**

Wenn eine Blockade überwunden ist, nehmen Sie sich die Zeit, diesen Teil der Rohrleitung zu reinigen, bevor Sie den Schlauch weiter bewegen. Schieben Sie mehrere Meter durch den Bereich mit dem Hindernis vorbei und ziehen Sie die Düse langsam zurück durch den Bereich mit dem Hindernis. Tun Sie dies mehrere Male und bewegen Sie den Schlauch dann weiter in die Rohrleitung.

Beobachten Sie den Wasserstand in der Rohrleitung. Wenn der Wasserstand zu hoch ist, müssen Sie eventuell den Hochdruck-Rohrreiniger abstellen und das Wasser ablaufen lassen, bevor Sie fortfahren. Reinigung bei mit Wasser gefüllter Leitung ist weniger effektiv als wenn die Leitung leer ist. Lassen Sie den Hochdruck-Rohrreiniger nicht längere Zeit mit abgeschaltetem Fußventil laufen. Wenn das Fußventil abgeschaltet ist, zirkuliert Wasser in der Pumpe, wodurch sich das Wasser erwärmt. Dadurch kann der Überhitzungsschutz der Pumpe ausgelöst werden.

Sobald die Düse weit genug in die Rohrleitung geschoben ist, ziehen Sie die Düse langsam (1 ft / 30 cm pro Minute bei stark verschmutzter Rohrleitung) durch die Rohrleitung zurück. Kontrollieren Sie mit einer Hand den Schlauch und wickeln Sie mit der anderen den Schlauch auf die Trommel. Achten Sie darauf, während sich die Düse der Rohrleitungsöffnung nähert, dass die Düse nicht aus der Rohrleitung kommt, während das Wasser läuft. Dadurch könnte der Schlauch ausschlagen und Schlagverletzungen und Verletzungen durch unter hohem Druck stehende Flüssigkeit verursachen. Kontrollieren Sie ständig den Schlauch. Achten Sie auf die Markierung am Schlauch in der Nähe der Düse. Lassen Sie das Fußventil los, um den Wasserfluss zu unterbrechen.

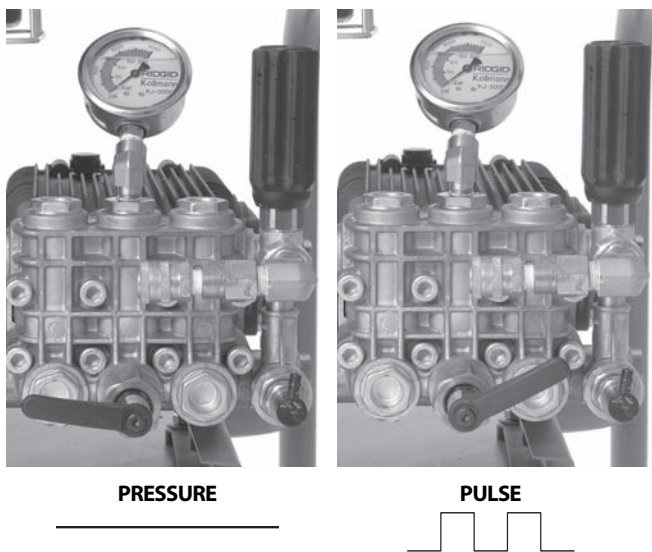
Stellen Sie den Motor entsprechend den Anweisungen im Motorhandbuch ab und treten Sie das Fußventil, um den Systemdruck abzubauen. Lassen Sie das System niemals unter Druck. Wechseln Sie bei Bedarf die Düse und fahren Sie mit der Reinigung nach dem oben beschriebenen Verfahren fort. Für eine vollständige Reinigung werden mehrere Durchgänge bei einer Leitung empfohlen.

Wenn die Arbeit abgeschlossen ist, entfernen Sie bei abgestelltem Hochdruck-Rohrreiniger die Düse und öffnen Sie das Zulaufventil, um Pumpe und Schlauch zu spülen. Wenn der Hochdruck-Rohrreiniger bei kalter Witterung eingesetzt wird, lassen Sie sofort das Wasser aus dem System ablaufen, um Schäden durch Frost zu vermeiden. Informationen über Frostschutz siehe *Lagerung der Maschine*.

### **Verwendung des Impulsmodus**

Wenn das Manipulieren des Schlauchs nicht ausreicht, um einen Richtungswechsel oder ein Hindernis zu überwinden, sollte der Impulsmodus verwendet werden. Der Impulsmodus bewirkt starke Schwankungen des Wasserdrucks, die zum Vibrieren des Schlauchs führen, sodass dieser sich leichter vorwärts bewegen lässt.

- 1 Drehen Sie den Impulsbetätigungshebel im Uhrzeigersinn in die Stellung "Pulse". Im Impulsmodus zeigt das Manometer nicht den maximalen Druck an. Dies ist normal.



**Abbildung 16 – Position des Impulsbetätigungshebels**

- 2 Bewegen Sie bei Bedarf den Schlauch durch kräftiges Schieben und Drehen vorwärts, um die Düse durch das Hindernis zu bringen.
- 3 Sobald das Hindernis überwunden ist, drehen Sie den Impulsbetätigungshebel gegen den Uhrzeigersinn in die Stellung "Pressure". Lassen Sie den Hochdruck-Rohrreiniger nicht länger im Impulsmodus, als zum Überwinden eines Hindernisses erforderlich. Durch übermäßige Benutzung des Impulsmodus können Schläuche und System vorzeitig verschleißen.

**Verwendung der Hochdruck-Rohrreinigungsmaschine als Hochdruckreiniger**

Die RIDGID Hochdruck-Rohrreinigungsmaschinen können bei Verwendung mit einem Hochdruckreinigungspaket auch als Hochdruckreiniger eingesetzt werden. Die Verwendung als Hochdruckreiniger ähnelt der Benutzung als Hochdruck-Rohrreiniger, und die vorliegenden Anweisungen sollten in Kombination mit folgenden Punkten beachtet werden.

- 1 Einen geeigneten Arbeitsbereich suchen.
- 2 Stellen Sie sicher, dass alle Geräte ordnungsgemäß kontrolliert wurden.
- 3 Die Waschlanze an den Waschlanzenschlauch anschließen. Grundsätzlich Schläuche verwenden, die mindestens für den Nenndruck des Hochdruck-Rohrreinigers zugelassen sind. Ein Gewindedichtungsmittel verwenden, um Undichtigkeit zu vermeiden.
- 4 Den Schlauch an den Auslass des Hochdruck-Rohrreinigers anschließen. Vergewissern, dass die Enden

des Schlauchs fest angeschlossen sind, um zu vermeiden, dass sie sich unter Druck lösen.

- 5 Eine geeignete Wasserzufuhr, wie oben erläutert, mit dem Hochdruck-Rohrreiniger verbinden.
- 6 Das Zulaufventil öffnen und den Auslöser der Waschlanze betätigen, damit Wasser fließt und das System entlüftet wird. Starten Sie den Motor niemals ohne geöffnete Wasserversorgung. Dadurch kann die Pumpe beschädigt werden.
- 7 Vergewissern Sie sich, dass der Impulsbetätigungshebel gegen den Uhrzeigersinn in die Stellung "Pressure" gedreht ist.
- 8 WaschlanzendüsenEinstellung – Durch Drehen der Düse kann das Waschmuster von einem feinen Strahl zu einem breit gefächerten Strahl eingestellt werden. Indem man die Düse nach vorne (niedriger Druck) und nach hinten (hoher Druck) zieht, kann der Druck eingestellt werden. Vergewissern Sie sich, dass die Düse bei Betriebsbeginn in die Position für hohen Druck zurückgezogen ist.



**Abbildung 17 – Einstellungen der Waschlanze-Düse**

- 9 Waschlanzensperre – die Waschlanze ist mit einer Sperre hinten am Auslöser versehen. Schieben Sie die Sperre nach unten, um die Betätigung des Auslösers zu verhindern, wenn die Waschlanze nicht benutzt wird.
- 10 Richten Sie die Lanze in eine sichere Richtung, betätigen Sie den Auslöser der Waschlanze, um den Druck abzubauen, damit der Motor gestartet werden kann. Starten Sie den Motor entsprechend den Anweisungen im Motorhandbuch. Lassen Sie den Motor warmlaufen. Lassen Sie den Auslöser los, sobald der Motor startet.
- 11 Richten Sie die Lanze in eine sichere Richtung, betätigen Sie den Auslöser der Waschlanze. Drehen Sie das Entlastungsventil, beobachten Sie dabei das Manometer, um den Druck nach Bedarf einzustellen. Überschreiten Sie den Drucknennwert der Maschine nicht. Lassen Sie den Auslöser der Waschlanze los.

## Hochdruckreinigerbetrieb

- 1 Halten Sie bei Benutzung als Hochdruckreiniger die Waschlance mit beiden Händen, um sie besser unter Kontrolle zu haben. Richten Sie die Waschlance niemals auf Personen. Unter hohem Druck stehendes Wasser kann die Haut durchdringen und schwere Verletzungen verursachen. Richten Sie die Waschlance niemals auf elektrische Anlagen oder Kabel, um elektrische Schläge zu vermeiden.
- 2 Kontrollieren Sie den Wasserfluss mit dem Auslöser. Vorsicht bei Benutzung des Hochdruckreinigers. Wenn die Düse zu nahe an eine Oberfläche gehalten wird, kann diese beschädigt werden. Führen Sie an einem kleinen, unbedenklichen Bereich einen Test durch, um zu überprüfen, ob die Einstellungen korrekt sind.
- 3 Lassen Sie den Hochdruck-Rohrreiniger nicht längere Zeit mit unbetätigtem Auslöser laufen. Wenn der Auslöser nicht betätigt wird, zirkuliert Wasser in der Pumpe, wodurch sich das Wasser erwärmt. Dadurch kann der Überhitzungsschutz der Pumpe ausgelöst werden.
- 4 Sobald die Reinigung abgeschlossen ist, lassen Sie den Auslöser los und stellen Sie den Motor entsprechend den Anweisungen im Motorhandbuch ab. Betätigen Sie den Auslöser, um den Druck abzubauen. Lassen Sie das System niemals unter Druck.

## Reinigungsmittelspritzung

- 1 Schließen Sie bei Bedarf die Reinigungsmittelspritzung an die Auslassöffnung an. Entfernen Sie den Auslassschlauch und schließen Sie die Reinigungsmittelspritzung so an, dass der Pfeil auf dem Gerät in die gleiche Richtung weist wie der Wasserfluss. Ein Gewindedichtungsmittel verwenden, um Undichtigkeit zu vermeiden. Schließen Sie den Auslassschlauch wieder an.
- 2 Schließen Sie den Siphonschlauch an die Reinigungsmittelspritzung an. Legen Sie das mit Sieb versehene Ende des Schlauchs in den Reinigungsmittelbehälter. Verwenden Sie nur Reinigungsmittel, die für die Verwendung mit Hochdruckreinigern geeignet sind. Befolgen Sie alle Anweisungen für die Verwendung des Reinigungsmittels. Sprühen Sie keine entzündlichen Flüssigkeiten oder giftigen Chemikalien. Andere Reinigungsmittel, Lösungsmittel, Reiniger usw. können den Hochdruck-Rohrreiniger beschädigen oder schwere Verletzungen verursachen.
- 3 Bei Benutzung des Hochdruckreinigers wird nur dann Reinigungsmittel abgegeben, wenn die Waschlanzendüse sich in der Position für niedrigen Druck befindet. Ziehen Sie die Düse nach vorne in die Position für niedrigen Druck, um Reinigungsmittel bereitzustellen.

- 4 Während des Betriebs kann die Menge des bereitgestellten Reinigungsmittels eingestellt werden, indem man die Hülse an der Reinigungsmittelspritzung dreht. Gegen den Uhrzeigersinn wird die Reinigungsmittelmenge erhöht, im Uhrzeigersinn verringert.
- 5 Wenn die Verwendung von Reinigungsmittel abgeschlossen ist, entfernen Sie das Sieb aus dem Reinigungsmittel, legen Sie es in einen Eimer mit sauberem Wasser und spülen Sie verbleibendes Reinigungsmittel aus dem System.

## Wartungshinweise

### ⚠️ WARNUNG

**Vor Durchführung von Wartungsarbeiten muss der Motorschalter abgestellt werden und die Zündkabel sollten entfernt werden, um unbeabsichtigten Betrieb zu vermeiden. Betätigen Sie das Fußventil oder den Lanzenauslöser, um etwaigen Druck im System abzubauen.**

**Tragen Sie bei Wartungsarbeiten zum Schutz vor Chemikalien und Bakterien in der Rohrleitung immer Schutzbrille und Handschuhe.**

### Reinigung

Der Schlauch sollte bei Bedarf mit heißem Seifenwasser und/oder Desinfektionsmittel gereinigt werden. Verhindern Sie das Eindringen von Wasser in Motor oder Elektrik. Nicht mit Hochdruckreiniger reinigen. Wischen Sie das Gerät mit einem feuchten Tuch ab.

### Motor

Warten Sie den Motor nach den Anweisungen im mitgelieferten Motorhandbuch.

### Pumpenschmierung

Überprüfen Sie vor Benutzung den Pumpenölstand. Stellen Sie den Hochdruck-Rohrreiniger auf eine ebene Fläche. Wischen Sie Schmutz und Fremdkörper im Bereich des Peilstabs ab und ziehen Sie den Peilstab heraus – überprüfen Sie den Ölstand. Bei Bedarf SAE 30W unverseifbares Öl nachfüllen. Nicht überfüllen. Peilstab wieder einsetzen.

Öl in der Pumpe nach den ersten 50 Betriebsstunden und danach alle 500 Betriebsstunden wechseln. Entfernen Sie bei betriebswarmer Pumpe den Stopfen unten an der Pumpe und lassen Sie das Öl in einen geeigneten Behälter ablaufen. Den Stopfen wieder einsetzen. Etwa 32 oz / 0,9 kg SAE 30W unverseifbares Öl entsprechend dem Prüfverfahren einfüllen.

## Getriebschmierung

Vor der Benutzung den Getriebeölstand prüfen. Stellen Sie den Hochdruck-Rohrreiner auf eine eben Fläche. Wischen Sie Schmutz und Fremdkörper im Bereich des Peilstabs ab und ziehen Sie den Peilstab raus – überprüfen Sie den Ölstand. Füllen Sie bei Bedarf SAE 90W Getriebschmiermittel nach. Nicht überfüllen. Peilstab wieder einsetzen.

Das Getriebeöl alle 500 Betriebsstunden wechseln. Entfernen Sie bei betriebswarmem Getriebe den Stopfen unten am Getriebe und lassen Sie das Öl in einen geeigneten Behälter ablaufen. Den Stopfen wieder einsetzen. Etwa 8 oz / 0,2 kg SAE 90W Getriebeöl entsprechend dem Prüfverfahren einfüllen.

## Vorbereitung der Pumpe auf die Lagerung bei kalter Witterung

**HINWEIS** Wenn der Hochdruck-Rohrreiner bei Temperaturen nahe oder unter 32°F / 0°C gelagert wird, muss er entsprechend vorbereitet werden. Wenn Wasser in der Pumpe gefriert, kann dies zu Schäden führen.

Es gibt zwei Methoden zur Vorbereitung des Hochdruck-Rohrreinigers auf die Lagerung bei kalter Witterung. Die erste besteht darin, alle Ventile im System zu öffnen und verbliebenes Wasser mit Druckluft aus dem System zu entfernen. Auch aus den Schläuchen kann auf diese Weise das Wasser entfernt werden.

Bei der zweiten Methode wird RV-Frostschutzmittel (Frostschutzmittel ohne Ethylenglykol) verwendet. Verwenden Sie in der Pumpe des Hochdruck-Rohrreiner kein Frostschutzmittel mit Ethylenglykol. Ethylenglykol darf in Kanalsystemen nicht benutzt werden.

- 1 Schließen Sie ein 3' / 90 cm langes Schlauchstück an das Zulaufventil an und öffnen Sie das Ventil.
- 2 Legen Sie das Ende des Schlauchs in den Behälter mit RV-Frostschutzmittel.
- 3 Entfernen Sie die Düse aus dem Schlauchende.
- 4 Starten Sie den Hochdruck-Rohrreiner und lassen Sie ihn laufen, bis Frostschutz aus dem Schlauchende austritt.

## Zubehör

### ⚠️ WARNUNG

**Um Verletzungsgefahr zu vermeiden, sind nur die speziell für RIDGID Hochdruck-Rohrreiner entwickelten und empfohlenen Zubehörteile, die nachstehend aufgeführt sind, zu verwenden. Die Verwendung anderer Zubehörteile, die für andere Geräte geeignet sind, kann bei Verwendung mit RIDGID Hochdruck-Rohrreinergeräten zu Gefährdungen führen.**

## KJ-2200 Hochdruck-Rohrreinerdüse und -schläuche

Best.-Nr.	Modell	Beschreibung	Schlauchinnendurchmesser inch / mm	Schlauchaußendurchmesser inch / mm
64772	H-61	Rückstrahldüse 1/8" / 3,2 mm NPT Passt auf 1/4" / 6,4 mm Schlauch		
64777	H-62	Reinigungsdüse		
64782	H-64	Fallstrangdüse		
82842	H-65	Rotationsdüse 2200		
64787	H-71	Rückstrahldüse 1/4" / 6,4 mm NPT Passt auf 1/2" / 13 mm Schlauch		
64792	H-72	Reinigungsdüse		
82852	H-75	Rotationsdüse 2200		
47592	H-1425	1/4" x 25' / 6,4 mm x 7,6 m	3/16 / 4,8	1/4 / 6,4
47597	H-1435	1/4" x 35' / 6,4 mm x 10,7 m	3/16 / 4,8	1/4 / 6,4
47602	H-1450	1/4" x 50' / 6,4 mm x 15,2 m 1/4" / 6,4 mm Siphonschlauch	3/16 / 4,8	1/4 / 6,4
49272	H-1475	1/4" x 75' / 6,4 mm x 22,9 m Orange	3/16 / 4,8	1/4 / 6,4
49277	H-1400	1/4" x 100' / 6,4 mm x 30,5 m	3/16 / 4,8	1/4 / 6,4
64732	H-1415	1/4" x 150' / 6,4 mm x 45,7 m	3/16 / 4,8	1/4 / 6,4
50002	HL-1	Flexible Führung, 1/4" / 6,4 mm	1/8 / 3,2	3/16 / 4,8
50007	HL-2	Flexible Führung, 1/2" / 13 mm	1/8 / 3,2	3/16 / 4,8
47607	H-1250	1/2" x 50' / 13 mm x 15,2 m	1/4 / 6,4	1/2 / 13
47612	H-1275	1/2" x 75' / 13 mm x 22,9 m	1/4 / 6,4	1/2 / 13
47617	H-1200	1/2" x 100' / 13 mm x 30,5 m	1/4 / 6,4	1/2 / 13
51587	H-1211	1/2" x 110' / 13 mm x 33,5 m 1/2" / 13 mm Strahlschlauch	1/4 / 6,4	1/2 / 13
49487	H-1215	1/2" x 150' / 13 mm x 45,7 m Schwarz	1/4 / 6,4	1/2 / 13
51597	H-1220	1/2" x 200' / 13 mm x 61 m	1/4 / 6,4	1/2 / 13

## KJ-2200 Hochdruck-Rohrreinerzubehör

Best.-Nr.	Modell	Beschreibung
62882	H-5	Mini-Schlauchtrommel (ohne Schlauch)
64737	H-30	H-30 Fahrgestell mit Schlauchtrommel
62877	H-30 WH	H-30 Fahrgestell mit Schlauchtrommel und 110' / 33,5 m x 1/2" / 13 mm Strahlschlauch
64077	HP-22	Druckwaschpaket, KJ-2200
64767	HW-22	Waschlanze, KJ-2200
51572	H-1235	Waschlanzenschlauch 1/2" / 13 mm x 35' / 10,7 m
48157	FV-1	Fußschalter
66732	HF-4	Schlauch mit Schnellkupplung
48367	H-25	Überwinterungs-Satz
47542	H-21	Düsenreinigungswerkzeug
67187	H-32	Jet Vac



## KJ-3100 Hochdruck-Rohrreinerdüsen und -schläuche

Best.-Nr.	Modell	Beschreibung	Schlauchinnendurchmesser inch / mm	Schlauchaußendurchmesser inch / mm
38698	H-101	Rückstrahldüse 1/8" / 3,2 mm NPT		
38713	H-102	Reinigungsdüse Passt auf 1/4" / 6,4 mm Schlauch		
38703	H-104	Fallstrangdüse		
38723	H-105	1/8" / 3,2 mm NPT Rotationsdüse		
38693	H-111	Rückstrahldüse 1/4" / 6,4 mm NPT		
38708	H-112	Reinigungsdüse 3/8" / 9,5 mm Schlauch		
38718	H-115S	1/4" / 6,4 mm NPT Rotationsdüse		
16713	RR3000	Root-Ranger-Düse		
47592	H-1425	1/4" / 6,4 mm x 25' / 7,6 m Siphonschlauch	3/16 / 4,8	1/4 / 6,4
47597	H-1435	1/4" / 6,4 mm x 35' / 10,7 m Siphon- schlauch	3/16 / 4,8	1/4 / 6,4
47602	H-1450	1/4" / 6,4 mm x 50' / 15,2 m Orange Siphonschlauch	3/16 / 4,8	1/4 / 6,4
49272	H-1475	1/4" / 6,4 mm x 75' / 22,9 m Siphonschlauch	3/16 / 4,8	1/4 / 6,4
49277	H-1400	1/4" / 6,4 mm x 100' / 30,5 m Siphonschlauch	3/16 / 4,8	1/4 / 6,4
64732	H-1415	1/4" / 6,4 mm x 150' / 45,7 m Siphonschlauch	3/16 / 4,8	1/4 / 6,4
64827	H-3835	3/8" / 9,5 mm ID x 35' / 10,7 m Waschschlauch	3/8 / 9,5	5/8" / 16
64832	H-3850	3/8" / 9,5 mm ID x 50' / 15,2 m Strahl-/Waschschlauch	3/8 / 9,5	5/8" / 16
64837	H-3810	3/8" / 9,5 mm ID x 100' / 30,5 m Strahl- schlauch	3/8 / 9,5	5/8" / 16
64842	H-3815	3/8" / 9,5 mm ID x 150' / 45,7 m Schwarz Strahlschlauch	3/8 / 9,5	5/8" / 16
64847	H-3820	3/8" / 9,5 mm ID x 200' / 61 m Strahlschlauch	3/8 / 9,5	5/8" / 16
64852	H-3825	3/8" / 9,5 mm ID x 250' / 76,2 m Strahlschlauch	3/8 / 9,5	5/8" / 16
64857	H-3830	3/8" / 9,5 mm ID x 300' / 91,4 m Strahlschlauch	3/8 / 9,5	5/8" / 16

## KJ-3100 Hochdruck-Rohrreinerzubehör

Best.-Nr.	Modell	Beschreibung
62882	H-5	Mini-Schlauchtrommel
64862	H-38	Schlauchtrommel (Passt auf KJ-3100)
64902	H-38 WH	Schlauchtrommel mit 200' / 61 m x 3/8" / 9,5 mm ID Schlauch (Passt an KJ-3100)
64797	HW-30	Waschlanze, KJ-3100
48367	H-25	Überwinterungs-Satz
48157	FV-1	Fußschalter
66732	HF-4	Schlauch mit Schnellkupplung (ca. 1 m für Trommel an Fußschalter)
47542	H-21	Düsenreinigungswerkzeug
67187	H-32	Jet Vac

## Lagerung des Geräts

**⚠️ WARNUNG** Lagern Sie den Hochdruck-Rohrreiner in einem gut belüfteten Bereich vor Regen und Schnee geschützt. Lagern Sie die Maschine in einem abgeschlossenen Bereich außer Reichweite von Kindern und Personen, die mit Hochdruck-Rohrreinigern nicht vertraut sind. Wenn diese Maschine in die Hände von nicht geschulten Benutzern gelangt, kann sie schwere Verletzungen verursachen. Informationen über die Lagerung bei kalter Witterung siehe *Abschnitt Wartung*. Spezielle Informationen über die Motorlagerung siehe Motorhandbuch.

## Wartung und Reparatur

**⚠️ WARNUNG**  
**Die Betriebssicherheit des Geräts kann durch unsachgemäße Wartung oder Reparatur beeinträchtigt werden.**

In den "Wartungsanweisungen" sind die meisten der Wartungsanforderungen für dieses Gerät erläutert. Alle Probleme, die in diesem Abschnitt nicht erwähnt werden, sollten von einem qualifizierten RIDGID-Wartungstechniker behoben werden.

Das Gerät ist für die Wartung zu einem anerkannten RIDGID Kundendienst-Center zu bringen oder an den Hersteller einzuschicken.

Falls Sie Informationen zu einem RIDGID Kundendienst-Center in Ihrer Nähe benötigen oder Fragen zu Service oder Reparatur haben:

- Wenden Sie sich an Ihren örtlichen RIDGID Händler.
- Besuchen Sie [www.RIDGID.com](http://www.RIDGID.com) oder [www.RIDGID.eu](http://www.RIDGID.eu), um einen RIDGID Kontaktpunkt in Ihrer Nähe zu finden.
- Wenden Sie sich an die Abteilung Technischer Kundendienst von RIDGID unter [rtctechservices@emerson.com](mailto:rtctechservices@emerson.com) oder in den USA und Kanada telefonisch unter (800) 519-3456.

## Entsorgung

Teile des Hochdruck-Rohrreinigers enthalten wertvolle Materialien und können recycelt werden. Hierfür gibt es auf Recycling spezialisierte Betriebe, die u. U. auch örtlich ansässig sind. Entsorgen Sie die Teile entsprechend den örtlich geltenden Bestimmungen. Weitere Informationen erhalten Sie bei der örtlichen Abfallwirtschaftsbehörde.



**Für EG-Länder:** Werfen Sie Elektrogeräte nicht in den Hausmüll!

Gemäß der Europäischen Richtlinie 2002/96/EG über Elektro- und Elektronik-Altgeräte und ihrer Umsetzung in nationales Recht müssen nicht mehr gebrauchsfähige Elektrogeräte getrennt gesammelt und einer umweltgerechten Wiederverwertung zugeführt werden.

## Fehlersuche

PROBLEM	URSACHE	ABHILFE
<b>Hochdruck-Rohrreini- ger läuft, erzeugt aber wenig oder keinen Druck.</b>	Unzureichende Wasserversorgung.	Vergewissern, dass der Wasserzufuhrhahn <b>ge- öffnet</b> ist. ..... Vergewissern, dass das Wasserzulaufventil des Hochdruck-Rohrreinigers <b>geöffnet</b> ist. ..... Vergewissern, dass der Wasserzufuhrschlauch frei und nicht geknickt oder zusammengefallen ist.
<b>Der Hochdruck-Rohr- reiniger erreicht beim Starten nicht den vollen Betriebsdruck.</b>	Luft ist im System eingeschlossen. ..... Hochdruck-Rohrreini- gerstrahldüsen sind blok- kiert	Die Düse vom Strahlschlauch entfernen und den Hochdruck-Rohrreini- ger laufen lassen, um Luft/ Fremdkörper aus dem System zu entfernen. ..... Düse entfernen und Strahldüsenöffnungen mit Düsenreinigungswerkzeug säubern.
<b>Hochdruck-Rohrrei- nigerdruckanzeige schwankt zwischen 500 und vollem Betriebs- druck.</b>	Hochdruck-Rohrreini- gerstrahldüsen sind blok- kiert. ..... Fremdkörper oder Luft im System eingeschlossen.	Düse entfernen. Düsenöffnungen mit Düsenrei- nigungswerkzeug säubern: korrekte Drahtgröße wählen und alle Strahldüsenöffnungen komplett durchstoßen, um Fremdkörper zu entfernen. ..... Düse entfernen und Strahlschlauch in Rohrlei- tung einführen. Hochdruck-Rohrreini- ger laufen lassen, um Luft oder Fremdkörper zu beseitigen.

# Hogedruk rioolreiniger

## KJ-2200/KJ-3100 rioolreinigingsmachines



KJ-3100



KJ-2200

### **⚠ WAARSCHUWING!**

Lees deze handleiding aandachtig alvorens dit toestel te gebruiken. Het niet begrijpen en naleven van de volledige inhoud van deze handleiding kan resulteren in elektrische schokken, brand en/of ernstige verwondingen.

### **KJ-2200/KJ-3100 rioolreinigingsmachines**

Noteer het serienummer hieronder en bewaar het serienummer van het product dat zich op het identificatieplaatje bevindt.

Serienr.

--

## Inhoud

<b>Registratieformulier voor serienummer van machine</b> .....	81
<b>Veiligheidssymbolen</b> .....	83
<b>Algemene veiligheidsvoorschriften</b> .....	83
Veiligheid op de werkplek.....	83
Elektrische veiligheid.....	83
Persoonlijke veiligheid.....	83
Gebruik en onderhoud van het gereedschap.....	84
Onderhoud.....	84
<b>Veiligheidswaarschuwingen i.v.m. hogedrukrioolreinigers</b> .....	84
<b>Beschrijving, specificaties en standaarduitrusting</b> .....	85
Beschrijving.....	85
Technische beschrijving.....	86
Pictogrammen.....	86
Standaarduitrusting.....	86
<b>Montage van de machine</b> .....	86
Motorolie.....	86
Pomp/tandwielolie.....	86
KJ-2200 transportwagentje.....	87
KJ-3100 handvatgeheel.....	87
<b>Inspectie vóór gebruik</b> .....	87
<b>Instellen van de machine en inrichten van de werkplek</b> .....	89
Watertoevoer.....	90
Vorbereiden van de afvoerleiding.....	90
Vorbereiden van de slang.....	91
SLANGSELECTIETABEL.....	92
SPUITKOPSELECTIETABEL.....	92
<b>Gebruiksaanwijzing</b> .....	93
De afvoerleiding schoonspuiten.....	94
Gebruik van de pulsmodus.....	95
De hogedrukrioolreiniger gebruiken als gewone hogedrukreiniger.....	96
Bedienen van de hogedrukreiniger.....	97
Wasmiddelverstuiver.....	97
<b>Onderhoudsinstructies</b> .....	97
Reinigen.....	97
Motor.....	97
Pompsmering.....	97
Tandwielkastsmearing.....	97
Pomp voorbereiden voor opslag bij koud weer.....	98
<b>Hulpstukken</b> .....	98
<b>Opbergen van de machine</b> .....	99
<b>Onderhoud en reparatie</b> .....	99
<b>Afvalverwijdering</b> .....	99
<b>Oplossen van problemen</b> .....	100
<b>Levenslange garantie</b> .....	Achterflap

\*Vertaling van de oorspronkelijke gebruiksaanwijzing



## Veiligheidssymbolen

In deze gebruiksaanwijzing en op het product worden veiligheidssymbolen en bepaalde woorden gebruikt om de aandacht te vestigen op belangrijke veiligheidsinformatie. In dit hoofdstuk worden die woorden en symbolen nader toegelicht.



Dit is het veiligheidsalarmsymbool. Het wordt gebruikt om uw aandacht te vestigen op potentiële risico's van lichamelijk letsel. Leef alle veiligheidsinstructies achter dit symbool na om mogelijke letsels of dodelijke ongevallen te voorkomen.

**⚠ GEVAAR** GEVAAR verwijst naar een gevaarlijke situatie die, als ze niet wordt vermeden, zal resulteren in een ernstig of dodelijk letsel.

**⚠ WAARSCHUWING** WAARSCHUWING verwijst naar een gevaarlijke situatie die, als ze niet wordt vermeden, kan resulteren in een ernstig of dodelijk letsel.

**⚠ VOORZICHTIG** VOORZICHTIG verwijst naar een gevaarlijke situatie die, als ze niet wordt vermeden, kan resulteren in een licht of matig letsel.

**OPGELET** OPGELET verwijst naar informatie over eigendomsbescherming.



Dit symbool geeft aan dat u de handleiding aandachtig moet lezen voordat u de apparatuur gebruikt om het risico van letsels te verkleinen. De handleiding bevat belangrijke informatie over de veilige en correcte bediening van het gereedschap.



Dit symbool geeft aan dat u altijd een veiligheidsbril moet dragen als u dit gereedschap gebruikt of bedient om het risico van oogletsels te verminderen.



Dit symbool wijst op het risico van het richten van een hogedrukwaterstraal op lichaamsdelen, met mogelijke huidpuncties en injectieletsels tot gevolg.



Dit symbool wijst op het risico van het rondzweepen van de rioolreinigings slang, met mogelijke slagletsels en injectieletsels tot gevolg.



Dit symbool wijst op het risico van het inademen van koolmonoxide wat misselijkheid, flauwvallen of de dood kan veroorzaken.



Dit symbool wijst op het risico van het ontbranden en ontploffen van benzine of andere bronnen, met brandwonden of andere lichamelijke letsels tot gevolg.

## Algemene veiligheidsvoorschriften

### ⚠ WAARSCHUWING

**Lees en begrijp alle instructies. Het niet naleven van een van de onderstaande instructies kan leiden tot elektrische schokken, brand en/of ernstig lichamelijk letsel.**

### BEWAAR DEZE INSTRUCTIES!

### Veiligheid op de werkplek

- **Zorg voor een schone en goed verlichte werkplek.** Rommelige werkbanken en donkere omgevingen vragen om ongevallen.
- **Gebruik elektrisch gereedschap niet in een explosieve omgeving, bijvoorbeeld in de aanwezigheid van brandbare vloeistoffen, gassen of stof.** Elektrisch gereedschap geeft vonken af die stof of dampen kunnen doen ontbranden.
- **Houd omstanders, kinderen en bezoekers op afstand terwijl u met elektrische machines werkt.** U kan de controle over het gereedschap verliezen als u wordt afgeleid.

### Elektrische veiligheid

- **Voorkom lichamelijk contact met geaarde oppervlakken, zoals leidingen, radiatoren, fornuizen en koelkasten.** Het risico van elektrische schokken is groter als uw lichaam geaard is.

### Persoonlijke veiligheid

- **Wees alert, let op wat u doet en gebruik uw gezond verstand bij het gebruik van elektrisch gereedschap. Gebruik geen elektrisch gereedschap wanneer u moe bent of onder invloed van drugs, alcohol of geneesmiddelen.** Als u ook maar even niet oplet tijdens het gebruik van elektrisch gereedschap kan dit resulteren in ernstig lichamelijk letsel.
- **Draag aangepaste kleding. Draag geen loszittende kledingstukken of sieraden. Bind lang haar bij elkaar. Houd uw haren, kleding en handschoenen uit de buurt van bewegende delen.** Losse kledingstukken, juwelen of lang haar kunnen worden gegrepen door bewegende onderdelen.
- **Reik niet te ver. Zorg dat u altijd stevig met beide voeten op de grond staat en dat u uw evenwicht bewaart.** Wanneer u stevig staat en uw evenwicht bewaart, behoudt u meer controle in onverwachte situaties.

- **Gebruik een veiligheidsuitrusting. Draag altijd een veiligheidsbril.** Draag altijd een stofmasker, veiligheidsschoenen met antislipzolen, een veiligheidshelm of gehoorbescherming als de omstandigheden dit vereisen om persoonlijk letsel te voorkomen.

### Gebruik en onderhoud van het gereedschap

- **Forceer de machine niet. Gebruik het juiste gereedschap voor uw werkzaamheden.** Het juiste gereedschap werkt beter en veiliger als u het gebruikt aan het tempo waarvoor het is ontworpen.
- **Gebruik het elektrisch gereedschap niet als u het niet in en uit kan schakelen met de schakelaar.** Gereedschap dat niet met de schakelaar kan worden in- of uitgeschakeld, is gevaarlijk en moet worden gerepareerd.
- **Bewaar machines die niet worden gebruikt buiten het bereik van kinderen en ongeschoolde personen.** Gereedschap is gevaarlijk in de handen van ongeschoolde gebruikers.
- **Onderhoud machines zorgvuldig. Houd snijwerktuigen scherp en schoon.** Goed onderhouden gereedschap met scherpe snijranden zal minder gemakkelijk blokkeren en is gemakkelijker te bedienen.
- **Controleer op verkeerd aangesloten en vastgelopen bewegende delen, defecte onderdelen en andere omstandigheden die gevolgen kunnen hebben voor de werking van het gereedschap. Als de machine beschadigd is, moet u ze laten repareren voordat u ze weer in gebruik neemt.** Heel wat ongevallen worden veroorzaakt door slecht onderhouden gereedschap.
- **Gebruik alleen hulpstukken die door de fabrikant voor uw model worden aanbevolen.** Accessoires die geschikt zijn voor de ene machine kunnen gevaarlijk zijn wanneer ze op een andere machine worden gebruikt.

### Onderhoud

- **Het onderhoud van toestellen mag alleen uitgevoerd worden door bevoegd onderhoudspersoneel.** Onderhoud uitgevoerd door onbevoegd personeel kan resulteren in een letselrisico.
- **Gebruik uitsluitend originele en identieke reserveonderdelen bij het onderhouden van het toestel. Volg de instructies in het onderhouds hoofdstuk van deze handleiding.** Gebruik van niet-erkende onderdelen of het niet naleven van de onderhoudsinstructies kan resulteren in een risico van elektrische schokken of letsel.

## Veiligheidswaarschuwingen i.v.m. hogedrukrioolreinigers

### ⚠ WAARSCHUWING

Dit hoofdstuk bevat belangrijke veiligheidsinformatie die specifiek betrekking heeft op dit toestel.

Lees de voorzorgsmaatregelen aandachtig door alvorens u de ontstoppingsmachine gebruikt om het risico van elektrische schokken, brand of ander ernstig lichamelijk letsel te verminderen.

### BEWAAR ALLE WAARSCHUWINGEN EN INSTRUCTIES VOOR LATERE RAADPLEGING!

Bewaar deze handleiding bij de machine zodat de gebruiker ze bij de hand heeft.

- **Gebruik de rioolreiniger nooit met het slanguiteinde buiten de afvoer.** De slang kan rondzwiepen en slagletsel veroorzaken of de straal kan door de huid dringen en letsel veroorzaken.
- **Water onder hoge druk kan onder de huid dringen en ernstige letsel veroorzaken die amputatie noodzakelijk kunnen maken.** Spuit nooit in de richting van mensen of dieren.
- **Gebruik de rioolreiniger niet met een hogere dan de voorgeschreven druk of met een inlaatwatertemperatuur van meer dan 140°F / 60°C.** Dat verhoogt het risico van letsel, zoals brandwonden, en van schade aan het product.
- **Eén persoon moet zowel het rioolreinigingsproces als de voetklep bedienen. Gebruik altijd de voetklep.** Als de slang van de rioolreiniger uit de afvoer komt, moet de gebruiker in staat zijn de wattertoevoer af te sluiten om het risico van een rondzwiepende slang te verkleinen, die slagletsel en hogedrukinjectieletsel zou kunnen veroorzaken.
- **Gebruik altijd passende persoonlijke beschermingsmiddelen wanneer u met ontstoppingsapparatuur in afvoerleidingen werkt.** De afvoerleiding kan chemicaliën, bacteriën en andere stoffen bevatten die mogelijk giftig of besmettelijk zijn, of brandwonden en andere problemen kunnen veroorzaken. Aangepaste persoonlijke beschermingsmiddelen omvatten altijd een veiligheidsbril en veiligheidshandschoenen, en soms uitrusting als latex of rubber handschoenen, een gelaatsscherm, een stofbril, beschermingskledij, een gasmasker en veiligheidsschoenen met stalen tip.
- **Werk hygiënisch. Na het gebruik van afvoerontstoppingsapparatuur moet u uw handen en andere lichaamsdelen die in contact zijn gekomen met de inhoud van de afvoerkanalen grondig wassen met warm water en zeep. Eet of rook niet**

terwijl u de afvoertoppingsapparatuur gebruikt of bedient. Dat helpt om contaminatie door toxisch of besmettelijk materiaal te voorkomen.

- **Spuut nooit giftige of brandbare vloeistoffen.** Dat verlaagt het risico van brandwonden, brand, ontploffingen of andere letsels.
- **Benzine en zijn dampen zijn uiterst ontvlambaar en explosief.** Zie de motorhandleiding voor voorzorgsmaatregelen ter verlaging van het risico van brandwonden, ontploffingen en ernstige lichamelijke letsels bij de behandeling en het gebruik van benzine.
- **Motoren produceren koolmonoxide, een kleurloos en geurloos giftig gas. Het inademen van koolmonoxide kan leiden tot misselijkheid, flauwvallen of de dood.** Start en gebruik de motor niet in een gesloten ruimte, zelfs niet wanneer de deuren en vensters openstaan. Gebruik hem alleen buiten.
- **Hete oppervlakken kunnen brandwonden en brand veroorzaken.** Houd lichaamsdelen en brandbaar materiaal uit de buurt van hete oppervlakken.
- **Lees en begrijp deze handleiding, de motorhandleiding en de waarschuwingen en instructies voor alle apparatuur die wordt gebruikt met deze machine alvorens ze te gebruiken.** Als u zich niet houdt aan deze instructies kan dit leiden tot materiële schade en/of ernstig lichamenlijk letsel.

De EG-conformiteitsverklaring (890-011-320.10) zal zo nodig als een afzonderlijk boekje bij deze gebruiksaanwijzing worden geleverd.

Als u vragen hebt over dit RIDGID® product:

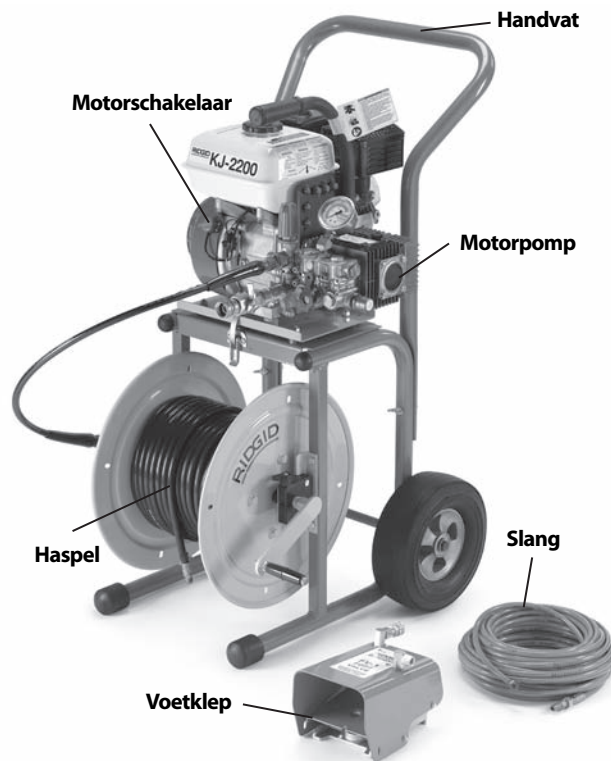
- neem dan contact op met uw plaatselijke RIDGID®-distributeur.
- bezoek [www.RIDGID.com](http://www.RIDGID.com) of [www.RIDGID.eu](http://www.RIDGID.eu) om uw plaatselijke RIDGID-contactpunt te vinden.
- neem contact op met RIDGID Technical Services Department op [rtctechservices@emerson.com](mailto:rtctechservices@emerson.com), of in de V.S. en Canada call (800) 519-3456.

## Beschrijving, specificaties en standaarduitrusting

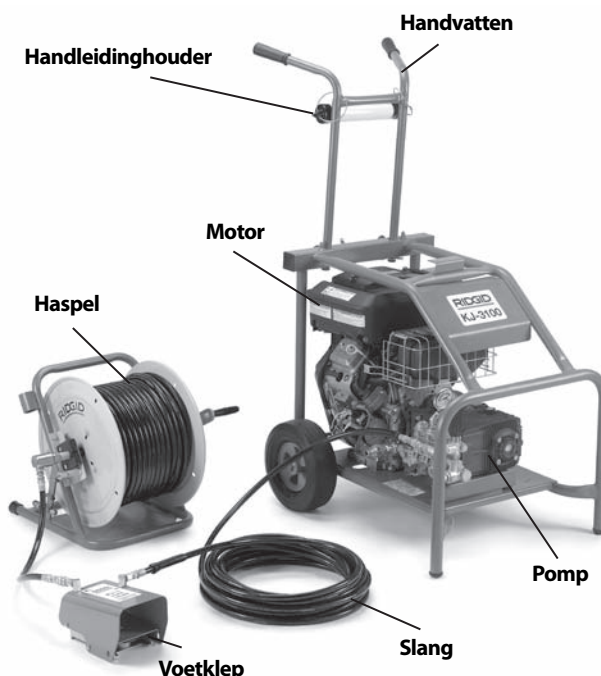
### Beschrijving

De RIDGID®-rioolreinigers met motoraandrijving zijn draagbare, hogedrukrioolreinigers ontworpen om vet, slib, bezinsel en wortels uit afvoerleidingen te verwijderen met een combinatie van waterdruk en stroming. Een uiterst soepele en lichte slang wordt door de afvoerleiding gestuwd door de achterwaarts gerichte waterstralen op de spuitkop, en wanneer ze wordt teruggetrokken

schrobt ze de leiding en spoelt ze het losgekomen vuil weg. Met ingeschakelde impulsmodus geraakt de slang gemakkelijker door moeilijke bochten. Alle machines zijn uitgerust met een benzinemotor om de drievoudige plunjerpomp aan te drijven.



Figuur 1 – KJ-2200 Hogedrukrioolreiniger



Figuur 2 – KJ-3100 Hogedrukrioolreiniger



**Figuur 3 – Machineserienummer**

Het serienummer van de machine staat op het frame. De laatste 4 cijfers geven de fabricagedatum (maand en jaartal) aan. (08 = maand, 10 = jaar).

**Technische beschrijving**

Rioolreiniger-model	Motor PK	Druk PSI / bar
KJ-2200	6,5 / 6,5	2200 / 150
KJ-3100	16	3000 / 205

Debiet GPM / liter	Afvoerleiding-capaciteit inch / mm	Gewicht (zonder slanghaspel) lbs / kg
2,4 / 9	1 1/4 - 6 / 32 - 152	65 / 30
5,5 / 20	2 - 10 / 50 - 250	262 / 119

**Pictogrammen**



**Standaarduitrusting**

Alle hogedrukrioolreinigers worden geleverd met

- gepaste spuitkoppen
- gereedschap om spuitkoppen te reinigen
- FV-1 voetklep
- motorhandleiding

Zie de RIDGID-catalogus voor de specifieke apparatuur die wordt geleverd bij ieder catalogusnummer.

**OPGELET** De machine is bestemd voor het ontstoppen/schoonmaken van afvoerleidingen. Wanneer ze correct wordt gebruikt, veroorzaakt ze geen schade aan een afvoer die in goede staat verkeert en die correct werd ontworpen, vervaardigd en onderhouden. Wanneer de afvoer in gebrekkige toestand verkeert, of niet correct werd ontworpen, vervaardigd en onderhouden, is het afvoerontstopingsproces mogelijk niet doeltreffend of kan het schade

aan de afvoer veroorzaken. De beste manier om de toestand van de afvoerleiding te bepalen is door ze visueel te inspecteren met een camera. Een verkeerd gebruik van deze hogedrukrioolreiniger kan de machine en de afvoer beschadigen. Deze machine verhelpt mogelijk niet alle verstoppingen.

**Montage van de machine**

**⚠ WAARSCHUWING**

**Ter voorkoming van ernstige lichamelijke letsels en van machineschade tijdens het gebruik, moet u deze procedures voor een correcte montage naleven.**

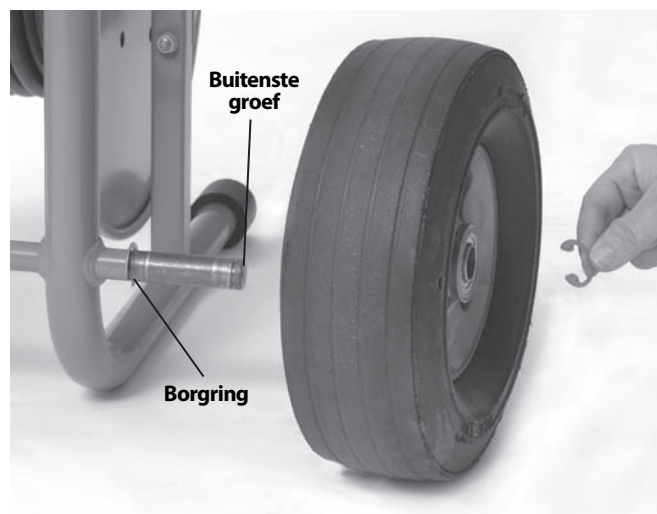
**Motorolie**

**OPGELET** De hogedrukrioolreiniger wordt geleverd zonder olie in de motor. Wanneer u de motor laat draaien zonder olie, zal hij vastlopen. Doe olie in de motor alvorens hem te gebruiken. Zie de bijgeleverde motorhandleiding voor specifieke informatie over het vullen van de motor met olie en het kiezen van de juiste olie.

**Pomp/tandwielolie**

**Pomp:** Vervang de plug in de bovenkant van de pomp door de peilstok/ontluchtingsplug. Het gebruiken van de hogedrukrioolreiniger met geïnstalleerde plug kan de pompdichtingen beschadigen. Controleer het oliepeil zoals beschreven in het hoofdstuk *Onderhoudsinstructies*.

**Tandwielkast (alleen KJ-3100):** Vervang de plug in de bovenkant van de pomp door de peilstok/ontluchtingsplug. Het gebruiken van de hogedrukrioolreiniger met geïnstalleerde plug kan de tandwielkastdichtingen beschadigen. Controleer het smeermiddelpeil zoals beschreven in het hoofdstuk *Onderhoudsinstructies*.



**Figuur 4 – Onderdelen van de KJ-2200**

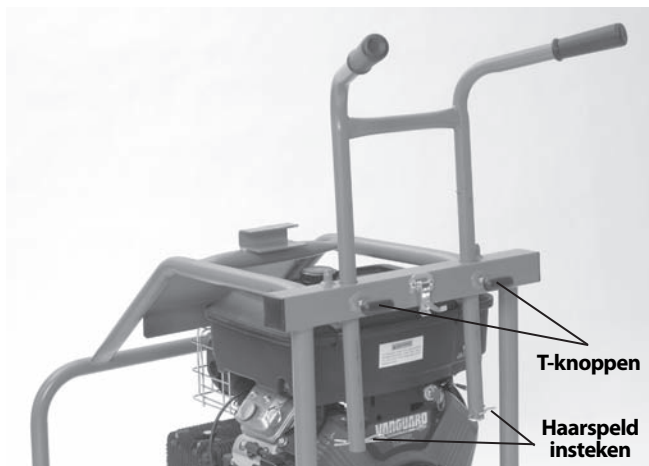


### KJ-2200 transportwagentje

1. Installeer de borgring in de binnenste groef op ieder uiteinde van de as. (Zie figuur 4.)
2. Schuif een wiel over ieder uiteinde van de as.
3. Installeer de borgring in de buitenste groef op ieder uiteinde van de as om het wiel tegen te houden.
4. Gebruik de bijgeleverde slotschroeven en vleugelmoe- ren om het handvat te bevestigen aan het frame.
5. Til het motor/pompgeheel op het wagentje, en breng de gaten in de basisplaat tegenover de pen- nen op de bovenkant van het wagentje. Gebruik de grendels op het wagentje om de motor/pomp vast te zetten. Vergewis u ervan dat het geheel stevig be- vestigd is.

### KJ-3100 handvatgeheel

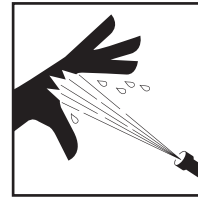
1. Steek het handvat door de gaten in de achterste dwarsstang van het frame. (Zie figuur 5.)
2. Steek een haarspeld door de gaten aan de onder- kant van het handvat om te voorkomen dat het handvat kan worden losgetrokken.
3. Schroef de T-knoppen in de achterste dwarsstang. Stel de handvatten af volgens uw eigen voorkeur en draai de knoppen aan om het handvat vast te zet- ten.



Figuur 5 – KJ-3100 handvatgeheel

## Inspectie vóór gebruik

### ⚠ WAARSCHUWING



**Voor ieder gebruik moet u uw hogedrukrioolreiner controleren en eventuele problemen verhelpen om het risico van ernstig letsel door water onder hoge druk of een andere storing en beschadiging van de rioolreiner te beperken.**

**Draag altijd een beschermbril, handschoenen en andere beschermingsuitrusting bij het inspecteren van uw rioolreiner om uzelf te beschermen tegen chemicaliën en bacteriën op de apparatuur.**

1. Vergewis u ervan dat de motorschakelaar in de stand OFF staat.
2. Veeg vet, olie en vuil van de machine af, ook van de hendels en bedieningselementen. Dat bevordert de inspectie en helpt voorkomen dat de machine of een bedieningselement uit uw handen zou schieten.
3. Inspecteer de hogedrukrioolreiner en zijn acces- soires op het volgende:
  - correcte montage en volledigheid.
  - gebroken, versleten, ontbrekende, verkeerd uitge- lijnde of losse onderdelen.
  - aanwezigheid en leesbaarheid van de waarschu- wingslabels. (Zie figuur 6.)
  - om het even welke andere toestand die de veilige en normale werking zou kunnen verhinderen.

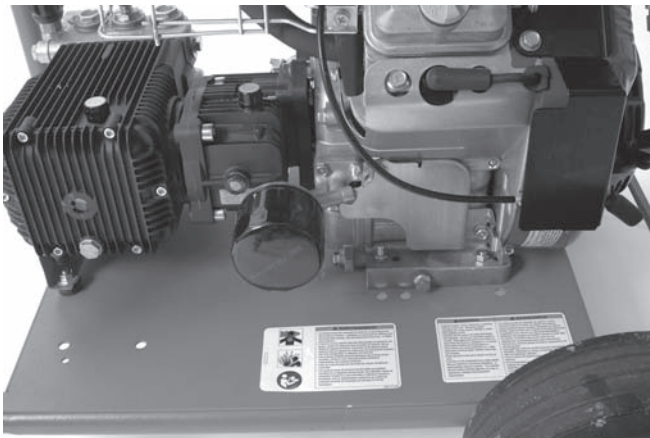
Als u op problemen stuit, mag u de hogedrukrioolreiner niet gebruiken tot de problemen verholpen zijn.



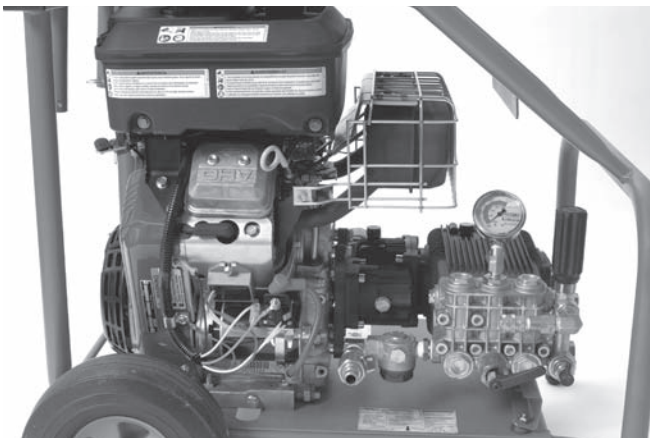
Figuur 6A – KJ-2200-waarschuwingset



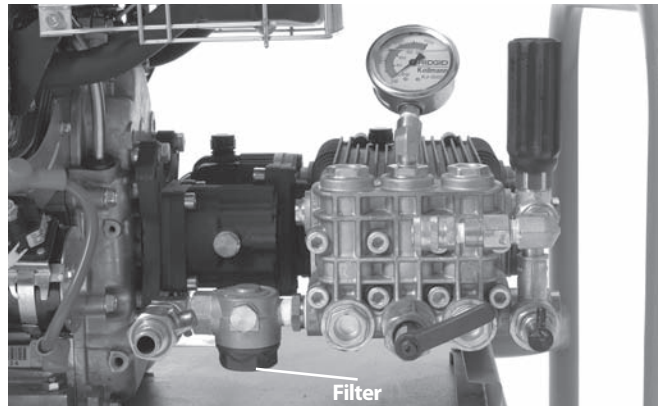
**Figuur 6B – KJ-2200-waarschuwingslabels**



**Figuur 6C – KJ-3100-waarschuwingslabels**



**Figuur 6D – KJ-3100-waarschuwingslabels**



**Figuur 7 – Inlaatfilter/filterpakking**

5. Inspecteer de spuitkopopeningen op schade of verstopping. Verstoppingen kunnen worden verholpen met het gereedschap om spuitkoppen te reinigen. Wees voorzichtig dat u de spuitkopopeningen niet vergroot bij het reinigen. Beschadigde spuitkoppen of spuitkoppen met vergrote openingen kunnen de prestaties van de rioolreiniger aantasten en moeten worden vervangen.
6. Inspecteer de slangen, koppelstukken en fittings op slijtage en schade. Wanneer de buitenste mantel van de slang knikken, barsten, breuken, slijtage of andere schade vertoont, mag u de slang niet gebruiken. Beschadigde slangen kunnen barsten en via openingen in de slang kan water onder hoge druk naar buiten spuiten en ernstige lichamelijke letsels veroorzaken. Vervangslangen en -hulpstukken moeten minstens bestand zijn tegen de nominale druk van de hogedrukrioolreiniger.
7. Inspecteer en onderhoud de motor zoals beschreven in de motorhandleiding.
8. Controleer het motorbrandstofpeil. Voor de KJ-3100 ontgrendelt u de slanghaspel en kantelt u de slanghaspel naar voren tot ze op het frame rust, om bij de benzinetankdop van de motor te kunnen *figuur 8*. Vul indien nodig loodvrije benzine toe. Zie de motorhandleiding voor meer informatie. Wees voorzichtig bij het behandelen van benzine. Tank brandstof in een goed geventileerde omgeving. Doe de tank niet te vol en mors geen brandstof. Zorg ervoor dat u de tankdop weer stevig dichtdraait.

4. Reinig de waterinlaatfilter/filterpakking. Schroef het deksel van de onderkant van de inlaatfilter voor reiniging. Vuil kan de waterstroom naar de pomp bemlemmen en de prestatie van de machine negatief beïnvloeden.



Figuur 8 – KJ-3100 positie van brandstoftankdop

9. Controleer het oliepeil in de pomp en tandwielkast (indien aanwezig) en vul indien nodig olie bij (zie hoofdstuk *Onderhoudsinstructies*).

## Instellen van de machine en inrichten van de werkplek

### ⚠ WAARSCHUWING



**Draag altijd een beschermbril, handschoenen en andere beschermingsuitrusting bij het instellen van uw rioolreiniger om uzelf te beschermen tegen chemicaliën en bacteriën op de apparatuur. Slipvrije schoenen met rubberen zolen kunnen uitglijden tegenaan, met name op een vochtige ondergrond.**

**Motoren produceren koolmonoxide, een kleurloos en geurloos giftig gas. Het inademen van koolmonoxide kan leiden tot misselijkheid, flauwvallen of de dood. Start en gebruik de motor niet in een gesloten ruimte, zelfs niet wanneer de deuren en vensters openstaan. Gebruik hem alleen buiten.**

**Volg voor de afstelling van de rioolreiniger en de inrichting van de werkplek de onderstaande procedures om het risico op letsel door water onder hoge druk, chemische brandwonden, infecties, koolmo-**

### **noxidevergiftiging of andere oorzaken en beschadiging van de rioolreiniger te voorkomen.**

1. Controleer het werkgebied op:
  - Geschikte verlichting.
  - Brandbare vloeistoffen, dampen of stof die kunnen ontbranden. In aanwezigheid van deze stoffen mag u niet aan de slag gaan voordat de bronnen geïdentificeerd en afgesloten werden. De rioolreiniger is niet explosievast en kan vonken veroorzaken.
  - Zorg voor een vrije, vlakke, stabiele droge plaats voor machine en gebruiker. Verwijder eventueel water uit het werkgebied. Hout of andere afdekkingen moeten mogelijk worden neergelegd.
  - Een plaats om de rioolreiniger neer te zetten, die zich in een goed geventileerde zone in open lucht bevindt. Plaats de rioolreiniger nooit binnen, ook niet met de deuren en vensters open. De rioolreiniger kan worden geïnstalleerd op een plaats die een eind verwijderd is van de plaats van toepassing.
  - Een geschikte watertoevoer.
  - Een onbelemmerd pad om de rioolreiniger naar de instelplaats te transporteren.
2. Inspecteer de te reinigen afvoer. Bepaal indien mogelijk het (de) toegangspunt(en) van de afvoerleiding, de afmeting(en) en de lengte(n) van de afvoer, de afstand tot hoofdleidingen, de aard van de verstopping, de aanwezigheid van afvoerreinigingsproducten of andere chemicaliën, enz. In geval van aanwezigheid van chemicaliën in de afvoerleiding is het belangrijk de specifieke veiligheidsvoorschriften te kennen in verband met werkzaamheden in de buurt van dergelijke chemicaliën. Contacteer de chemicaliënfabrikant voor de vereiste informatie.
 

Verwijder armaturen (watercloset, enz.) om de afvoerleiding bereikbaar te maken. Duw de slang niet door een armatuur. Dat kan de slang en de armatuur beschadigen.
3. Bepaal de juiste apparatuur voor uw werkzaamheden. *Zie het hoofdstuk Technische gegevens* voor informatie over deze rioolreinigers. Afvoerontstoppers en rioolreinigers voor andere toepassingen vindt u in de RIDGID-catalogus, online op [www.RIDGID.com](http://www.RIDGID.com) of [www.RIDGID.eu](http://www.RIDGID.eu).
4. Vergewis u ervan dat alle apparatuur grondig werd gecontroleerd.
5. Controleer de werkplek en bepaal of er eventuele afsluitingen nodig zijn om omstanders op afstand te houden. Omstanders kunnen de operator afleiden. Plaats verkeerskegels of andere versperringen om



chauffeurs te waarschuwen wanneer de werkzaamheden in de buurt van verkeer uitgevoerd moeten worden.

6. Breng indien nodig afschermingen aan in het werkgebied. Het afvoertoppingsproces kan nogal smerig zijn.
7. Breng de rioolreiniger naar een goed geventileerde werkplek in open lucht via het ombelemmerde pad. Als de machine moet worden geheven, dient u de gepaste heftechnieken te gebruiken. Wees voorzichtig wanneer u de machine een trap op of af moet dragen, en houd rekening met mogelijk slipgevaar. Draag geschikt schoeisel met antislipzolen.

**Watertoevoer**

Vergewis u ervan dat het waterdebiet groot genoeg is voor de rioolreiniger. Leid een slang van het wateraftappunt naar de rioolreiniger. Gebruik een slang met een zo groot mogelijke diameter en een zo gering mogelijke lengte. Wij raden u aan een slang te gebruiken met minimale binnendiameter van  $\frac{3}{4}$ " / 19 mm. Er moet een geschikte terugloopvoorziening worden gebruikt om al de plaatselijke wetten en verordeningen na te leven. Draai de watertoevoer open en meet de tijd die nodig is om een emmer van ongeveer 5 Gallon / 18,9 liter. Zie de onderstaande tabel voor de maximale emmervultijden voor elk type van rioolreiniger.

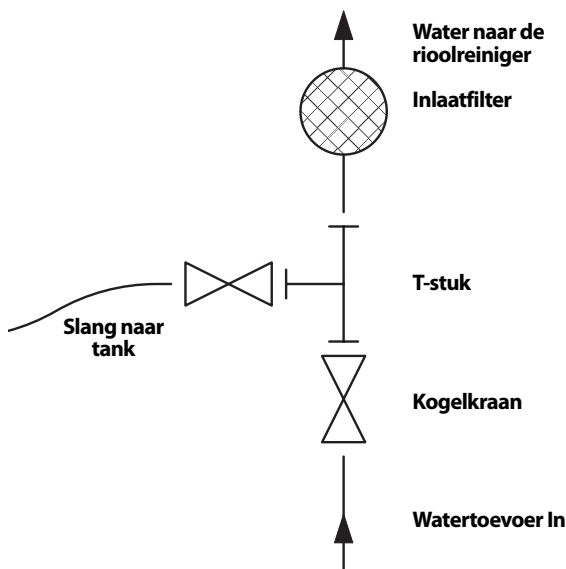
Riool-reiniger	Nominale waarde GPM / liter	Maximum 5 Gallon / 18,9 liter emmervultijd
KJ-2200	2.4 / 9	125 seconden
KJ-3100	5.5 / 20	55 seconden

Bij een ontoereikend waterdebiet kan de rioolreiniger de vereiste druk niet bereiken en kan de pomp beschadigd raken. Inspecteer het water in de emmer op vuil en deeltjes. Vuil en deeltjes in de watertoevoer kunnen overmatige pompslijtage veroorzaken, de spuitkopfilters verstoppem en de prestatie van de machine doen afnemen. Gebruik geen water van vijvers, meren of andere bronnen die verontreinigd kunnen zijn.

In geval van een ontoereikend debiet, kunnen er bijvoorbeeld meerdere toevoerslangen op de rioolreiniger worden aangesloten of kan er gebruik worden gemaakt van een tank.

Wanneer u een tank gebruikt, monteert u een T-stuk met kogelkraan aan de waterinlaat van de rioolreiniger zoals getoond in *figuur 9*. Sluit een slang van  $\frac{3}{4}$ " / 19 mm met een maximale lengte van 6' / 1,8 m aan op de klep op de uitlaat van het T-stuk, en sluit de watertoevoer aan op de hoofdrichting van het T-stuk. Steek

het andere slanguiteinde in de tank of sluit het aan op de tankuitlaat. De volledige lengte van de tankslang mag zich niet meer dan 5" / 12,7 cm boven de waterinlaat van de rioolreiniger bevinden, anders zal de rioolreiniger geen water uit de tank zuigen.



**Figuur 9 – Watertoevoeraansluitingen bij gebruik van een tank**

Vul de tank alvorens de rioolreiniger te starten. Doe de tankklep dicht om de rioolreiniger te starten. Zodra de rioolreiniger is gestart, doet u de tankklep weer open. Observeer het tankwaterpeil en indien nodig stopt u de rioolreiniger om de tank opnieuw te vullen. Zorg ervoor dat het waterpeil niet daalt tot onder het slanguiteinde.

U kunt warm water gebruiken om de reinigingswerking te verbeteren. Gebruik nooit water dat warmer is dan 140°F / 60°C – dat kan ervoor zorgen dat de beveiliging tegen thermische overbelasting van de pomp wordt geactiveerd. Draag bij gebruik van warm water een gepaste beschermingsuitrusting om het risico van brandwonden te verkleinen.

Bij gebruik in koude weersomstandigheden, dient u maatregelen te treffen om te voorkomen dat het water kan bevriezen in de pomp. Dat kan de pomp beschadigen.

Zorg ervoor dat de inlaatklep op de rioolreiniger gesloten is en sluit de toevoerslang aan op de rioolreiniger.

**Vorbereiden van de afvoerleiding**

Wanneer u via een mangat, een rioolrooster of een andere grote doorgang werkt, gebruik dan een buis en hulpstukken om een geleiding te maken voor de rioolreinigingslang van de afvoeropening naar de slanghaspel. Zo voorkomt u dat de rioolreinigingslang kan



gaan rondzweepen in de doorgang en dat ze beschadigd raakt.



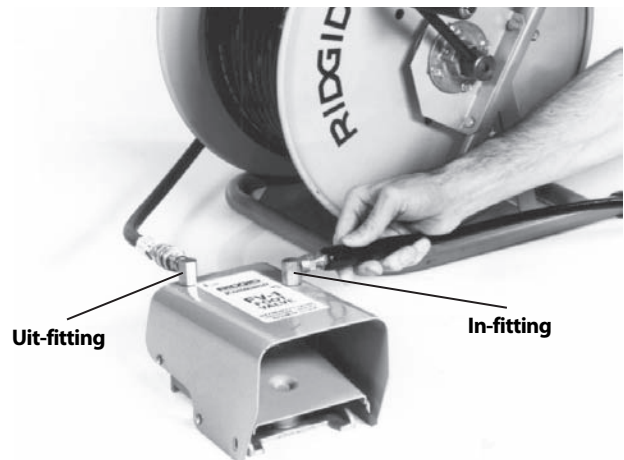
**Figuur 10 – De afvoeropening verlengen tot aan de slanghaspel**

### Vorbereiden van de slang

Ga zorgvuldig te werk bij het leiden van rioolreinigingsslangen. Het leiden van slangen over ruwe oppervlakken, scherpe randen, kruisende slangen, enz. kan de buitenmantel van de slang beschadigen, vooral wanneer de rioolreiniger wordt gebruikt in pulsmodus. Door de slang zo veel mogelijk op de haspel te laten, beperkt u het risico van schade tot het minimum.

1. Selecteer een geschikte slangmaat voor de schoon te maken afvoerleiding. Het verdient in het algemeen geen aanbeveling twee rioolreinigingsslangen aan elkaar te koppelen voor het schoonmaken van afvoerleidingen. De verbinding tussen de twee slangen is minder soepel en kan de doorgang door fittings bemoeilijken of verhinderen. *Zie de slangselectietabel.*
2. Koppel de slanghaspel indien nodig los van het motor/pomp-geheel. Plaats de slanghaspel op een afstand van ten hoogste 3' / 90 cm van de afvoeropening. Gebruik geen te grote hoeveelheid slang buiten de afvoeropening om schade aan de slang te voorkomen. Wanneer de slanghaspel niet binnen een afstand van 3' / 90 cm van de afvoeropening kan worden geplaatst, verlengt u de afvoeropening in de richting van de slanghaspel met behulp van een buis en fittings met vergelijkbare afmetingen.

3. Leid een slang van de rioolreiniger naar de IN-fitting op de voetklep. Gebruik teflontape om de aansluiting te dichtten. Positioneer de voetklep zo dat ze goed bereikbaar is. U moet de slang en de voetklep gelijktijdig kunnen bedienen.
4. Sluit de slang aan tussen de haspel en OUT-fitting op de voetklep.

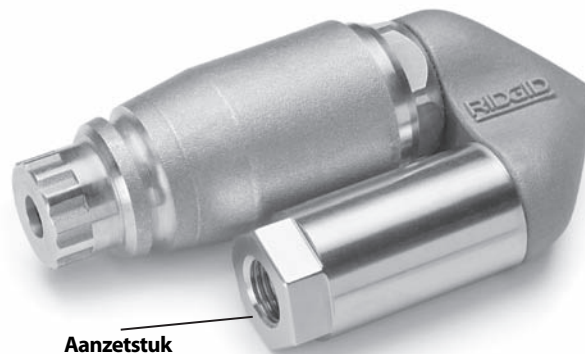


**Figuur 11 – Voetklepaansluiting**

5. Markeer de rioolreinigingsslang dicht bij het uiteinde om te kunnen weten wanneer de spuitkop eraan komt bij het terugtrekken van de slang. Op die manier kunt u voorkomen dat de spuitkop onverwacht uit de afvoeropening tevoorschijn komt en ongecontroleerd begint rond te zweepen. De afstand hangt af van de configuratie van de afvoeropening, maar moet minstens 4' / 1,2 m bedragen.
6. Verwijder de spuitkop van het uiteinde van de slang en steek het uiteinde van de slang in de afvoerleiding. Draai de toevoerklep open om de lucht en eventuele vuildeeltjes uit de rioolreiniger en de slangen te verwijderen. Laat het water minstens 2 minuten stromen.
7. Draai de inlaatklep weer dicht.
8. Selecteer een spuitkop. Gebruik spuitkoppen die specifiek bestemd zijn voor gebruik met de betreffende rioolreiniger. Het gebruik van verkeerde spuitkoppen kan een gebrekkige werking veroorzaken (te geringe bedrijfsdruk of te gering debiet) of kan de rioolreiniger beschadigen door te hoge drukwaarden. Vergewis u ervan dat spuitkopopeningen vrij en open zijn. *Zie de spuitkopselectietabel.*

Bij gebruik van de RR3000-spuitkop voor afvoerleidingen groter dan 6" / 152 mm en maximaal 9" / 229 mm, moet het aanzetstuk worden gebruikt. Voor afvoerleidingen van 6" / 152 mm en kleiner hoeft er geen aanzetstuk te worden gebruikt. Draai

het aanzetstuk indien nodig stevig met de hand aan op de RR3000 – draai het niet té vast aan. Wanneer de RR3000-spuitkop zonder aanzetstuk wordt gebruikt in een leiding die groter is dan 6" / 152 mm en maximaal 9" / 229 mm, of in leidingen groter dan 9" / 229 mm bestaat de mogelijkheid dat de spuitkop van richting verandert in de afvoerleiding, terug naar buiten komt en de gebruiker ernstig verwondt (figuur 12).



Aanzetstuk

Figuur 12 – RR3000 Spuitkop met aanzetstuk

9. Draai de spuitkop stevig met de hand aan op het uiteinde van de slang – draai hem niet te vast aan. Door de spuitkop te vast aan te draaien, kan hij beschadigd raken en een gebrekkige werking veroorzaken.
10. Steek de slang met de erop bevestigde spuitkop in de afvoerleiding en open de inlaatklep. Vergewis u ervan dat het water vrij door de spuitkop stroomt en sluit de inlaatklep.

## SLANGSELECTIETABEL

Toepassingen		Pijpmaat inch / mm	Spuitkop- maat inch / mm	Slangmaat (I.D.) inch / mm	Slangmaat (O.D.) inch / mm
KJ-2200	Badkamerafvoerleidingen, urinoirs en kleine leidingen	1 1/4 - 2 / 32 - 50	1/8 / 3,2 NPT	1/8 / 3,2	3/16 / 4,8
	Keukengootstenen, wasmachines en rookkanalen, ontstoppingsstukken en ventilatieopeningen.	2 - 3 / 50 - 76	1/8 / 3,2 NPT	3/16 / 4,8	1/4 / 6,4
	Douche- en vloersifons, zijleidingen en vetvangputten.	3 - 4 / 76 - 101	1/4 / 6,4 NPT	1/4 / 6,4	1/2 / 13
	Zij- en hoofdleidingen.	4 - 6 / 101 - 152	1/4 / 6,4 NPT	1/4 / 6,4	1/2 / 13
KJ-3100	Rookkanalen, ontstoppingsstukken en ventilatieopeningen.	2 - 3 / 50 - 76	1/8 / 3,2 NPT	3/16 / 4,8	1/4 / 6,4
	Vloersifons, zijleidingen en vetvangputten.	3 - 4 / 76 - 101	1/4 / 6,4 NPT	3/8 / 9,5	5/8 / 16
	Zij- en hoofdleidingen	4 - 10 / 101 - 250	1/4 / 6,4 NPT	3/8 / 9,5	5/8 / 16

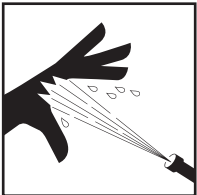
## SPUITKOPSELECTIETABEL

KJ-2200	<b>Draadmaat, inch / mm</b>	1/8 / 3,2 NPT	1/4 / 6,4 NPT
	<b>Slangmaat (binnendiameter), inch / mm</b>	1/8 & 3/16 / 3,2 & 4,8	1/4 / 6,4
	<b>Slangmaat (buitendiameter), inch / mm</b>	3/16 & 1/4 / 4,8 & 6,4	1/2 / 13
	Heeft drie achterwaartse stuwstralen voor een optimale voortstuwing bij het reinigen van lange stukken leiding. Gebruik deze spuitkop voor de meeste toepassingen.	<b>H-61</b>	<b>H-71</b>
	Maakt gebruik van drie achterwaarts gerichte stuwstralen plus één voorwaarts gerichte straal om door vet- en slibverstoppingen te dringen. De voorwaarts gerichte straal spuit een gaatje waar de spuitkop vervolgens door kan. Ze is ook heel doeltreffend voor het verwijderen van ijsverstoppingen.	<b>H-62</b>	<b>H-72</b>
	Gebruik de granaatspuitkop om moeilijke bochten in een leiding te nemen. Deze spuitkop heeft drie achterwaarts gerichte stuwstralen.	<b>H-64</b>	
	Gebruik de roterende spuitkop om vet en soortgelijke verstoppingen uit de afvoer te verwijderen.	<b>H-65</b>	<b>H-75</b>

		Draadmaat, inch / mm	1/8 / 3,2 NPT	1/4 / 6,4 NPT
		Slangmaat (binnendiameter), inch / mm	3/16 / 4,8	3/8 / 9,5
		Slangmaat (buitendiameter), inch / mm	1/4 / 6,4	5/8 / 16
KJ-3100	Heeft vier (4) achterwaarts gerichte stuwstralen voor een optimale voortstuwing bij het reinigen van lange stukken leiding. Gebruik deze spuitkop voor de meeste toepassingen.	H-101	H-111	
	Maakt gebruik van drie achterwaarts gerichte stuwstralen plus één voorwaarts gerichte straal om door vet- en slibverstoppen te dringen. De voorwaarts gerichte straal spuit een gaatje waar de spuitkop vervolgens door kan. Ze is ook heel doeltreffend voor het verwijderen van ijsverstoppen.	H-102	H-112	
	Gebruik de granaatspuitkop om moeilijke bochten in een leiding te nemen. Deze spuitkop heeft vier (4) achterwaarts gerichte stuwstralen.	H-104		
	Gebruik de roterende spuitkop om vet en soortgelijke verstoppingen te helpen verwijderen uit de afvoer.	H-105	H-115	
	Om wortels en soortgelijke verstoppingen te verwijderen. OPMERKING! Gebruik aanzetstuk om de RR3000 te stabiliseren bij het schoonmaken van afvoerleidingen met een diameter van 8" / 200 mm.			RR3000

## Gebruiksaanwijzing

### ⚠ WAARSCHUWING



**Draag altijd een beschermbril om uw ogen te beschermen tegen vuil en andere vreemde elementen. Draag altijd persoonlijke beschermingsmiddelen die zijn aangepast aan de werkomgeving.**

**Gebruik de rioolreiner nooit met het slanguiteinde buiten de afvoer. De slang kan zwiepen en slagletsels veroorzaken of de straal kan in de huid dringen en letsels veroorzaken.**

**Water onder hoge druk kan onder de huid dringen en ernstige letsels veroorzaken die amputatie noodzakelijk kunnen maken. Spuit nooit in de richting van mensen of dieren.**

**Gebruik de rioolreiner niet met een hogere dan de voorgeschreven druk of met een inlaatwatertemperatuur van meer dan 140°F / 60°C. Dat verhoogt het risico van letsels, zoals brandwonden, en van schade aan het product.**

**Eén persoon moet zowel het rioolreinigingsproces als de voetklep bedienen. Gebruik altijd de voetklep. Als de slang van de rioolreiner uit de afvoer komt, moet de gebruiker in staat zijn de watertoevoer af te sluiten om het risico van een zwiepende slang te verkleinen, die slagletsels en hogedrukinjectieletsels zou kunnen veroorzaken.**

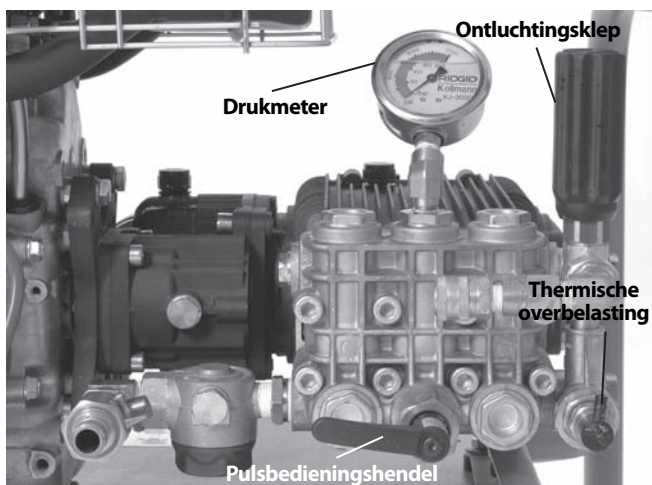
**Gebruik altijd passende persoonlijke beschermingsmiddelen wanneer u met ontstoppingsapparatuur in afvoerleidingen werkt. De afvoerleiding kan chemicaliën, bacteriën en andere stoffen bevatten die mogelijk giftig of besmettelijk zijn, of brandwonden en andere problemen kunnen veroorzaken. Aangepaste persoonlijke beschermingsmiddelen omvatten altijd een veiligheidsbril en veiligheidshandschoenen, en soms uitrusting als latex of rubber handschoenen, een gelaatsscherm, een stofbril, beschermingskledij, een gasmasker en veiligheidsschoenen met stalen tip.**

**Volg de bedieningsinstructies om het risico op letsel door rondzwiepende slangen, injectie van vloeistof onder druk, koolmonoxidevergiftiging of andere oorzaken te beperken.**

1. Vergewis u ervan dat de machine en de werkplek naar behoren werden ingericht en dat de werkplek vrij is van omstaanders en andere afleidingen. Wanneer de rioolreiner zich op een grote afstand van de gebruiksplaats bevindt, moet er een andere persoon bij de rioolreiner blijven staan.
2. Steek de slang met de eraan bevestigde spuitkop minstens een meter in de afvoerleiding zodat het uiteinde van de slang niet terug naar buiten komt en rondzwiept wanneer de machine wordt gestart.
3. Vergewis u ervan dat de pulsbedieningshendel linksom is gedraaid en in de stand "Pressure" (druk) staat (figuur 16).
4. Open de inlaatklep. Start de motor nooit zonder eerst de watertoevoer aan te zetten. Dat kan de pomp beschadigen.
5. Druk op de voetklep om de druk te verminderen en de motor te laten starten. Vergewis u ervan dat het water vrij door de spuitkop stroomt. Start de motor



volgens de instructies in de motorhandleiding. Laat de motor warmdraaien.



**Figuur 13 – Bedieningselementen en meters**

6. Draai aan de ontluchtungsklep terwijl u de drukkometer observeert om de druk eventueel bij te regelen (rechtsom om de druk te verhogen, linksom om de druk te verlagen). Overschrijd de nominale druk van de gebruikte machine niet. Forceer de ontluchtungsklep niet en gebruik geen sleutels of ander gereedschap om eraan te draaien. Dat zal de ontluchtungsklep beschadigen.

Rioolreiniger	Nominale drukwaarde, PSI / bar
KJ-2200	2200 / 150
KJ-3100	3000 / 205

Wanneer de rioolreiniger de nominale druk niet kan genereren of onregelmatig werkt, doet u het volgende:

- ga na of de motorgasklep correct is afgesteld.
- vergewis u ervan dat de inlaatklep helemaal open staat en dat alle andere kleppen in het toevoersysteem helemaal open staan.
- draai de ontluchtungsklep rechtsom om de druk te verhogen. Niet forceren.
- vergewis u ervan dat de pulsbedieningshendel in de stand "Pressure" (druk) staat.
- beweeg de pulsbedieningshendel verschillende keren tussen de stand "Pressure" (druk) en de stand "Pulse" terwijl de machine werkt om eventuele opgesloten lucht in het systeem te laten ontsnappen.
- inspecteer het systeem op lekken. Wees voorzichtig tijdens de inspectie om letsels te voorkomen. Wanneer u lekken aantreft, dient u de machine uit te schakelen alvorens de lekken te dichten.

- schakel de rioolreiniger uit. Controleer de inlaatfilter/filterpakking op vuildeeltjes.
- vergewis u ervan dat het waterdebiet naar de rioolreiniger voldoende groot is.
- zet de rioolreiniger en de inlaatklep af. Verwijder de spuitkop en reinig de openingen met het gereedschap om spuitkoppen te reinigen.
- laat de rioolreiniger draaien zonder spuitkop op de slang om eventuele lucht en vuildeeltjes uit het systeem te verwijderen. Schakel de rioolreiniger uit alvorens de spuitkop te verwijderen of te installeren.

7. Stel de benodigde apparatuur correct op.

- zorg ervoor dat u de AAN/UIT-werking van de voetklep kunt bedienen. Druk de voetklep nog niet in.
- zorg ervoor dat u stevig op uw benen staat en dat u niet te ver hoeft te reiken.
- u moet te allen tijde één hand op de rioolreinigings slang kunnen houden om de slang te controleren en te ondersteunen.
- u moet altijd bij de haspel kunnen om de slang op te kunnen wikkelen.

In deze werkhouding kunt u de controle over de rioolreinigings slang te allen tijde behouden.



**Figuur 14 – Correcte werkhouding**

### De afvoerleiding schoonspuiten


Bij het schoonspuiten van een afvoerleiding wordt de slang normaal over de volledige lengte van de leiding in de leiding gevoed om vervolgens langzaam te worden teruggetrokken. Het water wordt met hoge druk

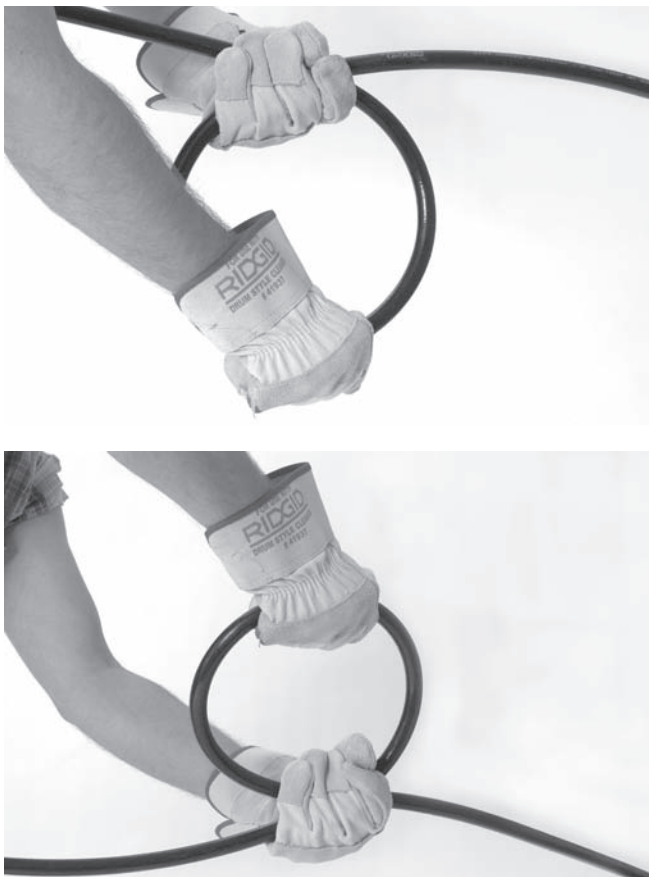


tegen de leidingwanden gespoten waardoor de afzetting tegen de wanden loskomt.

Ontgrendel de borgpen op de slanghaspel. Steek minstens een meter slang in de afvoerleiding, houd de slang met één hand vast en druk de voetklep in. De slang wordt in de leiding getrokken door de achterwaarts gerichte stralen van de spuitkop. Voed de slang zo ver als nodig in de afvoerleiding. Als de slang stopt, betekent dat dat ze een of andere belemmering is tegengekomen.

Als de spuitkop niet voorbij een belemmering geraakt, zoals een richtingsverandering (sifon, bocht, enz.) of een verstopping, doet u het volgende:

- duw de slang met korte, krachtige stoten in de leiding.
- draai de slang een kwart- tot een halve slag om de richting van de slang te oriënteren t.o.v. de richtingsverandering (als de slang gedraaid is, moet u ze, eenmaal de obstructie voorbij, weer terugdraaien om knikken te voorkomen) *Zie figuur 15.*
- gebruik de pulsmodus.  (zie volgend hoofdstuk).
- gebruik een sifonslang of een slang met een kleinere diameter.



**Figuur 15 – De slang ronddraaien**

Enmaal de obstructie voorbij neemt u best even de tijd om dat gedeelte van de leiding schoon te maken alvorens verder te gaan. Laat de spuitkop tot een eindje voorbij de obstructie gaan en trek hem vervolgens terug door de zone van de obstructie. Doe dat verschillende keren en ga vervolgens verder door de afvoerleiding.

Houd het afvoerwaterniveau in het oog. Als het water te hoog komt, moet u de machine mogelijk even stoppen om het water te laten weglopen alvorens verder te gaan. Wanneer de leiding vol water is, is de rioolreiniger minder doeltreffend dan wanneer de leiding leeg is. Laat de rioolreiniger niet te lang werken met gesloten voetklep (OFF). Wanneer de voetklep gesloten is (OFF), hercicleert het water in de pomp waardoor het water wordt opgewarmd. Dat kan ervoor zorgen dat de thermische overbelasting van de pomp wordt geactiveerd.

Wanneer de spuitkop eenmaal ver genoeg in de leiding zit, trekt u de slang langzaam (1' / 30 cm per minuut voor sterk verstopte leidingen) terug door de leiding. Gebruik één hand om de slang te bedienen en de andere om de slang op de haspel te wikkelen. Let op wanneer de spuitkop de afvoeropening nadert, om te voorkomen dat de spuitkop tevoorschijn komt terwijl er nog water uit spuit. Daardoor zou de slang kunnen gaan rondzweepen en slagletsels veroorzaken of letsels door onder hoge druk geïnjecteerde vloeistof. Bewaar steeds de controle over de slang. Kijk uit voor de markering op de slang die aangeeft dat de spuitkop bijna naar buiten komt. Laat de voetklep los om de waterstroom af te sluiten.

Zet de motor af volgens de instructies in de motorhandleiding, en druk de voetklep in om de systeemdruk af te laten. Laat het systeem nooit onder druk staan. Indien nodig verwisselt u de spuitkop en gaat u verder met het reinigen van de leiding volgens de hoger beschreven procedure. Het is raadzaam de veer verschillende keren in de verstopte afvoerleiding te voeren om ze helemaal schoon te maken.

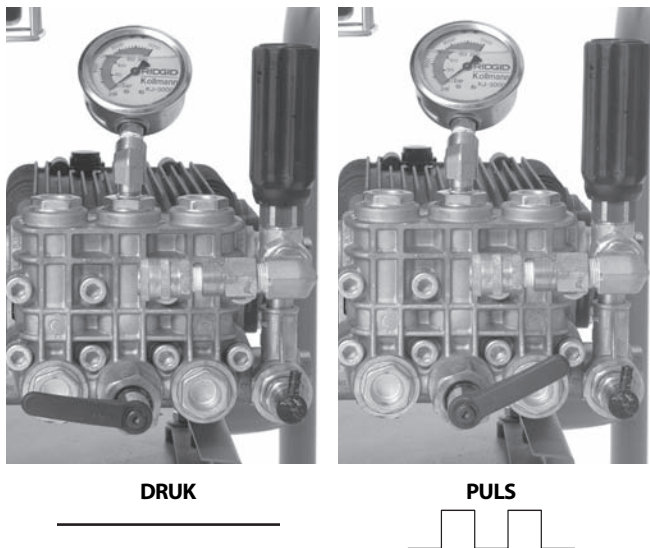
Enmaal klaar schakelt u de machine uit, verwijdert u de spuitkop en opent u de inlaatklep om de pomp en de slang uit te spoelen. Wanneer u de rioolreiniger in koude weersomstandigheden gebruikt, dient u het water onmiddellijk uit het systeem te verwijderen om schade door bevroering te voorkomen. Kijk in *Opbergen van de machine* voor informatie over vorstbescherming.

### **Gebruik van de pulsmodus**

Wanneer bewegen met de slang niet volstaat om door een richtingsverandering of obstructie te geraken, moet u de pulsmodus gebruiken. De pulsmodus ver-

oorzaakt een uitgesproken variatie in de waterdruk waardoor de slang begint te trillen en gemakkelijker voorwaarts beweegt.

1. Draai de pulsbedieningshendel rechtsom in de stand "Pulse". In pulsmodus geeft de drukmeter minder dan de maximale druk aan. Dat is normaal.



**Figuur 16 – Stand van pulsbedieningshendel**

2. Duw de slang indien nodig met korte, krachtige stoten in de afvoer draai met de slang om de spuitkop door de obstructie te helpen.
3. Eenmaal de obstructie voorbij draait u de pulsbedieningshendel weer linksom in de stand "Pressure" (druk). Laat de rioolreiniger niet langer in pulsmodus staan dan nodig is om door een obstructie geraken. Overmatig gebruik van de pulsmodus kan vroegtijdige slijtage veroorzaken aan de slangen en het systeem.

**De hogedrukrioolreiniger gebruiken als gewone hogedrukreiniger**

De RIDGID-hogedrukrioolreinigers kunnen ook worden gebruikt als gewone hogedrukreinigers door ze uit te rusten met de hogedrukspuitlans. Het gebruik als gewone hogedrukreiniger is vergelijkbaar met het gebruik als rioolreiniger. Gebruik daarom de instructies voor de rioolreiniger aangevuld met de volgende instructies.

1. Zoek een geschikte werkplek.
2. Vergewis u ervan dat alle apparatuur grondig werd gecontroleerd.
3. Verbind de spuitlans met de spuitlansslang. Gebruik altijd een slang met een nominale drukwaarde die

minstens even hoog is als de nominale drukwaarde van de rioolreiniger. Gebruik een draadafdichtingsmiddel om lekken te voorkomen.

4. Sluit de slang aan op de uitlaat van de rioolreiniger. Zorg ervoor dat de uiteinden van de slang degelijk verbonden zijn zodat ze niet kunnen loskomen onder druk.
5. Sluit de rioolreiniger aan op een geschikte watertoevoer, zoals eerder in deze handleiding beschreven.
6. Open de inlaatklep en haal de trekker van de spuitlans over om het water te laten stromen en de lucht uit het systeem te verwijderen. Start de motor nooit zonder eerst de watertoevoer aan te zetten. Dat kan de pomp beschadigen.
7. Vergewis u ervan dat de pulsbedieningshendel linksom is gedraaid en in de stand "Pressure" (druk) staat (figuur 16).
8. Regelen van de spuitlanssproeikop – Door aan de sproeikop te draaien, kan de straal worden gewijzigd van een fijne straal tot een brede, waaierachtige straal. De druk kan worden geregeld door de sproeikop voorwaarts (lage druk) en achterwaarts (hoge druk) te trekken. Zorg ervoor dat de sproeikop in de hogedrukstand (naar achteren) staat wanneer u begint te werken.



**Figuur 17 – Instellen van de spuitlanssproeikop**

9. Spuitlansvergrendeling – de spuitlans heeft een vergrendeling op de achterkant van de trekker. Kantel de vergrendeling neerwaarts om de trekker te blokkeren wanneer de spuitlans niet wordt gebruikt.
10. Richt de spuitlans in een veilige richting, haal de trekker over om de druk te verminderen en het starten van de motor mogelijk te maken. Start de motor volgens de instructies in de motorhandleiding. Laat de motor warmdraaien. Laat de trekker los zodra de motor start.
11. Richt de spuitlans naar een veilige richting en haal de trekker over. Draai aan de ontluichtingsklep terwijl u de drukmeter observeert om de druk naar wens in te stellen. Overschrijd de nominale druk van de machine niet. Laat de spuitlanstrekker los.

## Bedienen van de hogedrukreiniger

1. Wanneer u de machine gebruikt als een gewone hogedrukreiniger, dient u uw beide handen te gebruiken om de spuitlans vast te houden en te richten, voor een optimale controle. Richt de waterstraal nooit op mensen. Vloeistof onder hoge druk kan onder de huid dringen en ernstige letsels veroorzaken die amputatie noodzakelijk kunnen maken. Richt de waterstraal nooit op elektrische apparatuur of bedrading om het risico van elektrische schokken te verkleinen.
2. Regel het waterdebiet met de trekker. Wees voorzichtig bij het gebruiken van de hogedrukreiniger. Wanneer u de sproeikop te dicht bij een oppervlak houdt, kan het oppervlak beschadigd worden. Test een kleine, onopvallende zone om na te gaan of de instelling van de machine het gewenste resultaat oplevert.
3. Laat de rioolreiniger niet te lang werken met losgelaten trekker. Wanneer de trekker niet is ingedrukt, hercirculeert het water in de pomp waardoor het water wordt opgewarmd. Dat kan ervoor zorgen dat de thermische overbelasting van de pomp wordt geactiveerd.
4. Eenmaal de reinigingsklus geklaard, laat u de trekker los en schakelt u de motor uit zoals beschreven in de motorhandleiding. Haal de trekker opnieuw over om de druk af te laten. Laat het systeem nooit onder druk staan.

## Wasmiddelverstuiver

1. Bevestig de wasmiddelverstuiver indien nodig aan de uitlaat. Verwijder de uitlaatslang en bevestig de wasmiddelverstuiver zo dat de pijl op het onderdeel in de richting van de waterstroom wijst. Gebruik een draadafdichtingsmiddel om lekken te voorkomen. Breng de uitlaatslang opnieuw aan.
2. Bevestig de sifonslang aan de wasmiddelverstuiver. Leg het zeefuiteinde van de slang in het wasrecipent. Gebruik uitsluitend wasmiddelen die bestemd zijn voor gebruik met hogedrukreinigers. Volg alle wasmiddelinstructies. Spuit niet met brandbare vloeistoffen of giftige chemicaliën. Andere wasmiddelen, oplosmiddelen, reinigingsmiddelen, enz. kunnen de rioolreiniger beschadigen of ernstige lichamelijke letsels veroorzaken.
3. Tijdens het hogedrukreinigen worden wasmiddelen alleen afgegeven wanneer de spuitlanssproeikop in de lagedrukstand staat. Trek de sproeikop voorwaarts in de lagedrukstand om wasmiddel te krijgen.
4. Tijdens de bediening kan de hoeveelheid afgegeven wasmiddel worden geregeld door te draaien aan de huls van de wasmiddelverstuiver. Linksom voor een

kleine hoeveelheid wasmiddel en rechtsom voor een grotere hoeveelheid wasmiddel.

5. Zodra u klaar bent met het spuiten van wasmiddel verwijdert u het slanguiteinde met zeef uit het wasmiddel, legt u het in een emmer zuiver water en spoelt u het wasmiddel uit het systeem.

## Onderhoudsinstructies

### ⚠ WAARSCHUWING

**Vóór het aanvangen van onderhoudwerkzaamheden, moet de schakelaar in de stand OFF staan en moeten de bougiekabels worden losgekoppeld om onbedoeld starten te voorkomen. Druk op de voetklep of haal de spuitlanstrekker over om eventuele druk uit het systeem te verwijderen.**

**Draag altijd een veiligheidsbril en handschoenen bij het uitvoeren van onderhoudswerk om u te beschermen tegen afvoerchemicaliën en bacteriën.**

### Reinigen

De slang moet indien nodig worden gereinigd met warm zeepwater en/of ontsmettingsmiddelen. Zorg ervoor dat er geen water in de motor of andere elektrische onderdelen terecht komt. Niet reinigen met water onder druk. Reinig de machine met een vochtige doek.

### Motor

Onderhoud de motor zoals beschreven in de bij de machine geleverde motorhandleiding.

### Pompsmering

Controleer het pompoliepeil vóór gebruik. Plaats de rioolreiniger op een vlakke ondergrond. Verwijder eventueel vuil en vuildeeltjes rond de peilstokopening en verwijder de peilstok – controleer het oliepeil. Voeg indien nodig SAE 30W niet-zuiverende olie bij. Niet te veel bijvullen. Breng de peilstok weer aan.

Ververs de olie in de pomp na de eerste 50 bedrijfsuren en daarna om de 500 bedrijfsuren. Met de pomp op bedrijfstemperatuur verwijdert u plug in de onderkant van de pomp en laat u de olie weglopen in een geschikte recipiënt. Breng de plug opnieuw aan. Giet ongeveer 32 oz / 0,9 kg SAE 30W niet-zuiverende olie in de pomp met gebruikmaking van de controleprocedure.

### Tandwielkastsmering

Controleer het oliepeil in de tandwielkast vóór gebruik. Plaats de rioolreiniger op een vlakke ondergrond. Verwijder eventueel vuil en vuildeeltjes rond de peilstokopening en verwijder de peilstok – controleer het oliepeil. Voeg indien nodig SAE 90W tandwielolie bij. Niet te veel bijvullen. Breng de peilstok weer aan.

Ververs de olie in de tandwielkast om de 500 bedrijfsuren. Met de pomp op bedrijfstemperatuur verwijderd u de plug in de onderkant van de tandwielkast en laat u de olie weglopen in een geschikt recipiënt. Breng de plug opnieuw aan. Giet ongeveer 8 oz / 0,2 kg SAE 90W tandwielolie in de tandwielkast met gebruikmaking van de controleprocedure.

## Pomp voorbereiden voor opslag bij koud weer

**OPGELET** Wanneer de rioolreiniger zal worden opgeslagen onder omstandigheden waarbij de temperatuur lager is dan of gelijk aan 32°F / 0°C, moet de rioolreiniger naar behoren worden voorbereid. Wanneer er water bevriest in de pomp kan dat de pomp beschadigen.

Er zijn twee methoden om de rioolreiniger voor te bereiden voor opslag bij koude weersomstandigheden. De eerste bestaat erin alle kleppen van het systeem te openen en al het eventuele water met perslucht uit het systeem te verwijderen. Die methode kan ook worden gebruikt om het water uit de slangen te verwijderen.

Voor de tweede methode wordt gebruik gemaakt van RV antivries (niet-ethyleenglycol). Gebruik geen ethyleenglycol als antivriesmiddel in de rioolreinigerpomp. Ethyleenglycol mag niet worden gebruikt in afvoersystemen.

1. Sluit een stuk slang van 3' / 90 cm aan op de inlaatklep en draai de inlaatklep open.
2. Leg het andere uiteinde van de slang in een recipiënt met RV antivries.
3. Verwijder de spuitkop van het uiteinde van de slang.
4. Start de rioolreiniger en laat hem werken tot er antivries uit het uiteinde van de slang komt.

## Hulpstukken

### ⚠ WAARSCHUWING

**Om het gevaar voor een ernstig letsel te beperken, mag u enkel de hulpstukken gebruiken die specifiek zijn ontworpen en aanbevolen voor de RIDGID-hogedrukrioolreinigers (zie lijst hierna). Andere hulpstukken, die geschikt zijn voor andere apparatuur, kunnen gevaarlijk zijn als ze op de RIDGID-hogedrukrioolreinigers worden gebruikt.**

## KJ-2200 rioolreinigerspuitkoppen en -slangen

Catalogusnr.	Modelnr.	Beschrijving	Slang I.D.	
			inch / mm	inch / mm
64772	H-61	Spuitkop achter	1/8" / 3,2 mm NPT	
64777	H-62	Spuitkop voor en achter	Past op 1/4" / 6,4 mm slang	
64782	H-64	Granaatspuitkop		
82842	H-65	Roterende turbospuitkop 2200		
64787	H-71	Spuitkop achter	1/4" / 6,4 mm NPT	
64792	H-72	Spuitkop voor en achter	Past op 1/2" / 13 mm slang	
82852	H-75	Roterende turbospuitkop 2200		
47592	H-1425	1/4" x 25' / 6,4 mm x 7,6 m	3/16 / 4,8	1/4 / 6,4
47597	H-1435	1/4" x 35' / 6,4 mm x 10,7 m	3/16 / 4,8	1/4 / 6,4
47602	H-1450	1/4" x 50' / 6,4 mm x 15,2 m	1/4" / 6,4 mm sifonslang	3/16 / 4,8
49272	H-1475	1/4" x 75' / 6,4 mm x 22,9 m	Oranje	3/16 / 4,8
49277	H-1400	1/4" x 100' / 6,4 mm x 30,5 m		3/16 / 4,8
64732	H-1415	1/4" x 150' / 6,4 mm x 45,7 m		3/16 / 4,8
50002	HL-1	Soepele slanggeleider, 1/4" / 6,4 mm	1/8 / 3,2	3/16 / 4,8
50007	HL-2	Soepele slanggeleider, 1/2" / 13 mm	1/8 / 3,2	3/16 / 4,8
47607	H-1250	1/2" x 50' / 13 mm x 15,2 m		1/4 / 6,4
47612	H-1275	1/2" x 75' / 13 mm x 22,9 m		1/4 / 6,4
47617	H-1200	1/2" x 100' / 13 mm x 30,5 m		1/4 / 6,4
51587	H-1211	1/2" x 110' / 13 mm x 33,5 m	1/2" / 13 mm spoelslang	1/4 / 6,4
49487	H-1215	1/2" x 150' / 13 mm x 45,7 m	Zwart	1/4 / 6,4
51597	H-1220	1/2" x 200' / 13 mm x 61 m		1/4 / 6,4

## KJ-2200 rioolreinigerhulpstukken

Catalogusnr.	Modelnr.	Beschrijving
62882	H-5	Minislanghaspel (zonder slang)
64737	H-30	H-30 wagentje met slanghaspel
62877	H-30 WH	H-30 wagentje met slanghaspel en 110' / 33,5 m x 1/2" / 13 mm spoelslang
64077	HP-22	Hogedrukspuitlans, KJ-2200
64767	HW-22	Spuitlans, KJ-2200
51572	H-1235	Spuitlansslang 1/2" / 13 mm x 35' / 10,7 m
48157	FV-1	Voetklep
66732	HF-4	Slang met snelkoppeling
48367	H-25	Winterkit
47542	H-21	Gereedschap om spuitkoppen te reinigen
67187	H-32	Jet Vac



## KJ-3100 rioolreinigerspuitkoppen en -slangen

Catalogusnr.	Modelnr.	Beschrijving	Slang I.D. inch / mm	Slang O.D. inch / mm
38698	H-101	Spuitkop achter	$\frac{1}{8}$ " / 3,2 mm NPT	
38713	H-102	Spuitkop voor en achter	Past op $\frac{1}{4}$ " / 6,4 mm slang	
38703	H-104	Granaatspuitkop		
38723	H-105	$\frac{1}{8}$ " / 3,2 mm NPT roterende turbospuitkop		
38693	H-111	Spuitkop achter	$\frac{1}{4}$ " / 6,4 mm NPT	
38708	H-112	Spuitkop voor en achter	Past op $\frac{3}{8}$ " / 9,5 mm slang	
38718	H-1155	$\frac{1}{4}$ " / 6,4 mm NPT roterende turbospuitkop		
16713	RR3000	Root Ranger 3000		
47592	H-1425	$\frac{1}{4}$ " / 6,4 mm x 25' / 7,6 m sifonslang	$\frac{3}{16}$ / 4,8	$\frac{1}{4}$ / 6,4
47597	H-1435	$\frac{1}{4}$ " / 6,4 mm x 35' / 10,7 m sifonslang	$\frac{3}{16}$ / 4,8	$\frac{1}{4}$ / 6,4
47602	H-1450	$\frac{1}{4}$ " / 6,4 mm x 50' / 15,2 m sifonslang Oranje	$\frac{3}{16}$ / 4,8	$\frac{1}{4}$ / 6,4
49272	H-1475	$\frac{1}{4}$ " / 6,4 mm x 75' / 22,9 m sifonslang	$\frac{3}{16}$ / 4,8	$\frac{1}{4}$ / 6,4
49277	H-1400	$\frac{1}{4}$ " / 6,4 mm x 100' / 30,5 m sifonslang	$\frac{3}{16}$ / 4,8	$\frac{1}{4}$ / 6,4
64732	H-1415	$\frac{1}{4}$ " / 6,4 mm x 150' / 45,7 m sifonslang	$\frac{3}{16}$ / 4,8	$\frac{1}{4}$ / 6,4
64827	H-3835	$\frac{3}{8}$ " / 9,5 mm BiD x 35' / 10,7 m wasslang	$\frac{3}{8}$ / 9,5	$\frac{5}{8}$ " / 16
64832	H-3850	$\frac{3}{8}$ " / 9,5 mm BiD x 50' / 15,2 m spoelslang	$\frac{3}{8}$ / 9,5	$\frac{5}{8}$ " / 16
64837	H-3810	$\frac{3}{8}$ " / 9,5 mm BiD x 100' / 30,5 m spoelslang	$\frac{3}{8}$ / 9,5	$\frac{5}{8}$ " / 16
64842	H-3815	$\frac{3}{8}$ " / 9,5 mm BiD x 150' / 45,7 m spoelslang Zwart	$\frac{3}{8}$ / 9,5	$\frac{5}{8}$ " / 16
64847	H-3820	$\frac{3}{8}$ " / 9,5 mm BiD x 200' / 61 m spoelslang	$\frac{3}{8}$ / 9,5	$\frac{5}{8}$ " / 16
64852	H-3825	$\frac{3}{8}$ " / 9,5 mm BiD x 250' / 76,2 m spoelslang	$\frac{3}{8}$ / 9,5	$\frac{5}{8}$ " / 16
64857	H-3830	$\frac{3}{8}$ " / 9,5 mm BiD x 300' / 91,4 m spoelslang	$\frac{3}{8}$ / 9,5	$\frac{5}{8}$ " / 16

## KJ-3100 rioolreinigerhulpstukken

Catalogusnr.	Modelnr.	Beschrijving
62882	H-5	Minislanghaspel
64862	H-38	Slanghaspel (past bij KJ-3100)
64902	H-38 WH	Slanghaspel met 200' / 61 m x $\frac{3}{8}$ " / 9,5 mm BiD slang (past bij KJ-3100)
64797	HW-30	Spuitlans, KJ-3100
48367	H-25	Winterkit
48157	FV-1	Voetklep
66732	HF-4	Slang met snelkoppeling (haspel aan voetklep)
47542	H-21	Gereedschap om spuitkoppen te reinigen
67187	H-32	Jet Vac

## Opbergen van de machine

**⚠ WAARSCHUWING** Berg de rioolreiniger op in een goed geventileerde ruimte die goed is afgeschermd van regen en sneeuw. Bewaar de machine in een afgesloten ruimte die ontoegankelijk is voor kinderen en mensen die niet vertrouwd zijn met rioolreinigers. Deze machine kan ernstige letsels veroorzaken in de handen van ongeschoolde gebruikers. Zie het hoofdstuk *Onderhoud* voor informatie over opslag in koude weersomstandigheden. Zie de motorhandleiding voor specifieke informatie over het opbergen van motoren.

## Onderhoud en reparatie

### ⚠ WAARSCHUWING

**Gebrekkig onderhoud of een onjuiste herstelling kan de machine gevaarlijk maken om mee te werken.**

In het hoofdstuk "Onderhoudsinstructies" worden de meeste onderhoudsbehoeften van deze machine behandeld. Eventuele problemen die niet in dat hoofdstuk worden behandeld, mogen uitsluitend worden opgelost door een erkende RIDGID-onderhoudstechnicus.

De machine moet naar een erkend zelfstandig servicecentrum van RIDGID worden gebracht of teruggestuurd naar de fabriek.

Wanneer u informatie wenst over het dichtstbijzijnde onafhankelijke servicecentrum van RIDGID of wanneer u vragen hebt over onderhoud of reparatie:

- neem contact op met een RIDGID-distributeur in de buurt.
- bezoek de websites [www.RIDGID.com](http://www.RIDGID.com) of [www.RIDGID.eu](http://www.RIDGID.eu) om uw lokale RIDGID-contactpunt te vinden.
- neem contact op met het RIDGID Technical Services Department op [rtctechservices@emerson.com](mailto:rtctechservices@emerson.com), of in de V.S. en Canada op het nummer (800) 519-3456.

## Afvalverwijdering

Bepaalde delen van de hogedrukrioolreiniger bevatten waardevolle materialen en kunnen worden gerecycled. Een bedrijf dat gespecialiseerd is in recyclage vindt u ongetwijfeld ook bij u in de buurt. Verwijder de onderdelen in overeenstemming met de geldende wet- en regelgeving. Neem contact op met de plaatselijke afvalverwijderingsinstantie voor nadere informatie.



**In EG-landen:** bied elektrische apparatuur niet bij het huishoudelijk afval aan!

Conform de Europese Richtlijn 2002/96/EG betreffende afgedankte elektrische en elektronische apparatuur en de ratificatie daarvan op landelijk niveau, moet elektrische apparatuur die niet meer bruikbaar is afzonderlijk worden ingezameld en op milieuvriendelijke wijze worden afgevoerd.

## Oplossen van problemen

PROBLEEM	OORZAAK	OPLOSSING
<b>Rioolreiniger draait maar genereert weinig of geen druk.</b>	Ongeschikte watertoevoer.	Controleer of de watertoevoerkraan op <b>ON</b> staat. ..... Controleer of de waterinlaatklep van de rioolreiniger op <b>ON</b> staat. ..... Controleer of de watertoevoerslang vrij is en geen knikken vertoont of wordt platgedrukt.
<b>Rioolreiniger stelt zich niet in op de maximale bedrijfsdruk bij het starten.</b>	Er zit lucht in het systeem. ..... Spuitskopopeningen zijn verstopt	Verwijder de spuitkop van de slang en laat de rioolreiniger werken om lucht/vuil uit het systeem te verwijderen. ..... Verwijder de spuitkop en reinig de openingen met het gereedschap om spuitkoppen te reinigen.
<b>Drukmeter van rioolreiniger schommelt tussen 500 en bedrijfsdruk.</b>	Spuitskopopeningen zijn verstopt. ..... Er zit vuil of lucht in het systeem.	Verwijder spuitkop. Gebruik gereedschap om spuitkoppen te reinigen om de openingen vrij te maken: selecteer de juiste draadmaat en duw de draad helemaal door iedere opening om het vuil te verwijderen. ..... Verwijder spuitkop en steek spoelslang in afvoerleiding. Laat rioolreiniger draaien om lucht of vuil weg te spoelen.

# Stasatrice idropneumatica

## Macchine stasatrici idropneumatiche KJ-2200/3100



KJ-3100



KJ-2200

### **⚠ ATTENZIONE!**

Leggere attentamente il presente Manuale dell'Operatore prima di utilizzare questo attrezzo. La mancata osservanza delle istruzioni contenute nel presente manuale può comportare il rischio di elettroshock, incendi e/o gravi lesioni personali.

### Macchine stasatrici idropneumatiche KJ-2200/3100

Annotare il numero di serie in basso e conservare il numero di serie del prodotto che si trova sulla targhetta.

N. Serie

--

## Sommario

<b>Modulo per la registrazione del numero di serie del prodotto</b> .....	101
<b>Simboli di sicurezza</b> .....	103
<b>Regole generali per la sicurezza</b> .....	103
Sicurezza nell'area di lavoro .....	103
Sicurezza elettrica .....	103
Sicurezza personale .....	103
Utilizzo e manutenzione dell'apparecchio .....	104
Manutenzione .....	104
<b>Avvertenze antinfortunistiche della stasatrice idropneumatica</b> .....	104
<b>Descrizione, specifiche e dotazione standard</b> .....	105
Descrizione .....	105
Caratteristiche tecniche .....	106
Icane .....	106
Attrezzature standard .....	106
<b>Montaggio della macchina</b> .....	107
Olio motore .....	107
Pompa/Olio scatola del cambio .....	107
Carrello per trasporto KJ-2200 .....	107
Montaggio dell'impugnatura KJ-3100 .....	107
<b>Ispezione prima dell'uso</b> .....	108
<b>Preparazione della macchina e dell'area di lavoro</b> .....	110
Rifornimento idrico .....	110
Preparazione della condotta .....	111
Allestimento del tubo .....	112
TABELLA DI SELEZIONE TUBI STASATRICE .....	113
TABELLA DI SELEZIONE INIETTORI STASATRICE .....	113
<b>Istruzioni d'uso</b> .....	114
Stasatura della condotta .....	115
Uso della modalità ad azione pulsante .....	116
Utilizzo della macchina stasatrice idropneumatica come idropulitrice .....	117
Azionamento dell'idropulitrice .....	117
Iniettore del detergente .....	118
<b>Istruzioni di manutenzione</b> .....	118
Pulizia .....	118
Motore .....	118
Lubrificazione della pompa .....	118
Lubrificazione della scatola del cambio .....	118
Preparazione della pompa per l'immagazzinamento con temperature vicine a 32°F / 0°C .....	118
<b>Accessori</b> .....	119
<b>Stoccaggio della macchina</b> .....	120
<b>Manutenzione e riparazione</b> .....	120
<b>Smaltimento</b> .....	120
<b>Risoluzione dei problemi</b> .....	121
<b>Garanzia a vita</b> .....	Quarta di copertina

\* Traduzione delle istruzioni originali



## Simboli di sicurezza

Nel presente manuale d'istruzioni e sul prodotto, i simboli di sicurezza e le indicazioni scritte vengono utilizzati per comunicare importanti informazioni di sicurezza. Questa sezione serve a migliorare la comprensione di tali indicazioni e simboli.



Questo è un simbolo di avviso di sicurezza. Viene utilizzato per avvertire l'utente di potenziali pericoli di lesioni personali. Rispettare tutti i messaggi che presentano questo simbolo per evitare possibili lesioni anche letali.

**⚠ PERICOLO** PERICOLO indica una situazione pericolosa che, se non evitata, provoca la morte o gravi lesioni.

**⚠ AVVERTENZA** AVVERTENZA indica una situazione pericolosa che, se non evitata, può provocare la morte o gravi lesioni.

**⚠ PRECAUZIONE** PRECAUZIONE indica una situazione pericolosa che, se non evitata, può causare lesioni lievi o moderate.

**AVVISO** AVVISO indica informazioni relative alla protezione del prodotto.



Questo simbolo significa che occorre leggere attentamente il manuale prima di usare lo strumento per evitare il rischio di ferirsi. Il manuale contiene informazioni importanti sull'uso sicuro e appropriato dell'attrezzatura.



Questo simbolo significa che occorre indossare sempre gli occhiali di protezione con schermi laterali o una maschera quando si usa l'apparecchio per ridurre il rischio di lesioni agli occhi.



Questo simbolo indica il rischio di acqua ad alta pressione diretta verso parti del corpo, può provocare la perforazione della pelle e lesioni da iniezione.



Questo simbolo indica il rischio che il tubo della stasatrice sbatta in tutte le direzioni, può provocare lesioni da colpi improvvisi o iniezione.



Questo simbolo indica il rischio di respirazione di monossido di carbonio e può provocare nausea, svenimento o decesso.



Questo simbolo indica il rischio di incendio e di esplosione tramite benzina o da altre fonti con conseguenti ustioni e altre lesioni.

## Regole generali per la sicurezza

### ⚠ AVVERTENZA

**Leggere e comprendere tutte le istruzioni. La mancata osservanza delle istruzioni può causare folgorazione, incendi e/o lesioni gravi.**

**CONSERVARE IL PRESENTE MANUALE DI ISTRUZIONI!**

### Sicurezza nell'area di lavoro

- **Mantenere l'area di lavoro pulita e ben illuminata.** I bancali ingombri e le aree al buio favoriscono gli incidenti.
- **Non utilizzare attrezzi elettrici in ambienti esplosivi, come in presenza di liquidi, gas o polveri infiammabili.** Gli attrezzi elettrici producono scintille che possono incendiare la polvere o i fumi.
- **Tenere i bambini, gli estranei e i visitatori lontani quando si utilizzano dispositivi elettrici.** Qualunque distrazione può farne perdere il controllo.

### Sicurezza elettrica

- **Evitare il contatto del corpo con superfici collegate a terra come tubature, radiatori, fornelli e**

**frigoriferi.** Il rischio di folgorazione è maggiore se il corpo è collegato a terra.

### Sicurezza personale

- **Non distrarsi: prestare attenzione e lavorare con l'attrezzo elettrico usando il buon senso. Non usare l'attrezzo in caso di stanchezza o sotto l'effetto di droghe, alcool o farmaci.** Un momento di distrazione mentre si usano attrezzi elettrici può causare gravi lesioni personali.
- **Indossare vestiti adatti. Non indossare indumenti ampi o gioielli. Tenere raccolti i capelli lunghi. Mantenere i capelli, gli indumenti e i guanti lontano dalle parti mobili.** Gli indumenti ampi, i gioielli o i capelli lunghi possono impigliarsi nelle parti mobili.
- **Osservare i limiti tecnici. Mantenere stabilità ed equilibrio in ogni momento.** Questo permette di tenere meglio sotto controllo l'attrezzo in situazioni inattese.
- **Usare attrezzature di sicurezza. Indossare sempre una protezione oculare.** A seconda delle circostanze, è obbligatorio indossare una mascherina per la polvere, calzature di sicurezza con suola antiscivolo, casco protettivo o cuffie antirumore per ridurre il rischio di lesioni.

## Utilizzo e manutenzione dell'apparecchio

- **Non forzare l'attrezzo elettrico. Usare l'attrezzo adatto al lavoro da svolgere.** L'attrezzo elettrico adatto svolgerà il lavoro meglio e con maggiore sicurezza nelle applicazioni per le quali è stato progettato.
- **Non usare l'attrezzo elettrico se l'interruttore non lo accende o spegne.** Un attrezzo che non può essere acceso o spento è pericoloso e deve essere riparato.
- **Conservare gli attrezzi inutilizzati fuori dalla portata dei bambini e delle persone inesperte.** Gli attrezzi sono pericolosi nelle mani di utenti inesperti.
- **Eseguire con cura la manutenzione degli attrezzi. Mantenere gli attrezzi da taglio affilati e puliti.** Gli attrezzi da taglio sottoposti a regolare manutenzione e ben affilati si incepano di meno e sono più facili da manovrare.
- **Controllare che le parti in movimento non siano disallineate o bloccate, che non ci siano parti rotte o altre condizioni che possano compromettere il corretto funzionamento dell'attrezzo. Se danneggiato, fare revisionare l'attrezzo prima di usarlo.** Molti incidenti sono causati da attrezzi trascurati.
- **Usare solo accessori approvati dal costruttore del proprio modello.** Accessori che possono essere adatti per un attrezzo possono diventare pericolosi quando usati su un altro.

## Manutenzione

- **La manutenzione dell'attrezzo deve essere effettuata esclusivamente da personale qualificato.** Qualsiasi intervento di assistenza o manutenzione eseguito da personale non qualificato, potrebbe portare al rischio di lesioni personali.
- **Per la manutenzione dell'attrezzo utilizzare esclusivamente parti di ricambio originali. Seguire le istruzioni nella sezione Manutenzione di questo manuale.** L'uso di ricambi non originali o la mancata osservanza delle Istruzioni di manutenzione può comportare il rischio di scosse elettriche o lesioni personali.

## Avvertenze antinfortunistiche della stasatrice idropneumatica

### ▲ AVVERTENZA

**Questa sezione contiene importanti informazioni di sicurezza specifiche per l'attrezzo.**

**Leggere attentamente queste precauzioni prima di utilizzare la macchina stasatrice al fine di ridurre il rischio di scosse elettriche o gravi lesioni personali.**

### CONSERVARE TUTTE LE AVVERTENZE E LE ISTRUZIONI PER UNA SUCCESSIVA CONSULTAZIONE!

Conservare il presente manuale con l'apparecchiatura per consentirne la consultazione all'operatore.

- **Non azionare mai la stasatrice con l'estremità del tubo fuori dalla condotta.** Il tubo può sbattere in tutte le direzioni, provocando delle lesioni da colpi improvvisi e il getto può penetrare nella pelle e provocare gravi lesioni.
- **L'acqua ad alta pressione può venire iniettata sotto la pelle, provocando gravi lesioni comprese l'amputazione.** Non dirigere il getto verso persone o animali.
- **Non azionare la stasatrice a valori di pressione superiori a quello nominale o a 140°F / 60°C (temperatura dell'acqua di ingresso).** Ciò aumenta il rischio di lesioni, comprese le ustioni, e danneggiamento alla stasatrice.
- **Una sola persona deve controllare sia il processo di stasatura a getto che il comando a pedale. Utilizzare sempre il comando a pedale.** Se il tubo della stasatrice esce dalla condotta, l'operatore deve essere in grado di spegnere il flusso di acqua per ridurre il rischio che il tubo della stasatrice sbatta in tutte le direzioni, provocando lesioni da colpi improvvisi e da iniezione ad alta pressione.
- **Utilizzare sempre dispositivi di protezione personale durante l'uso dell'apparecchiatura per stasare gli scarichi.** Gli scarichi possono contenere agenti chimici, batteri e altre sostanze potenzialmente tossiche, infettive, ustionanti o altrimenti pericolose. Un'adeguata dotazione protettiva comprende sempre guanti e occhiali di sicurezza, oltre a guanti di lattice o di gomma, schermi per il viso, mascherine, indumenti di sicurezza, respiratori e calzature con punta d'acciaio.
- **Mantenere un'igiene ottimale. Lavare con acqua calda e sapone le mani e le parti del corpo esposte ai contenuti degli scarichi dopo l'uso dell'apparecchiatura per la pulizia degli scarichi.** Non mangiare né fumare quando si utilizza o si maneggia l'appa-

recchiatura per la pulizia degli scarichi. In questo modo si evita la contaminazione con materiali tossici o infettivi.

- **Non spruzzare liquidi tossici o infiammabili.** Questo ridurrà il rischio di ustioni, incendi, esplosioni o altre lesioni.
- **La benzina e i suoi vapori sono estremamente infiammabili ed esplosivi.** Consultare il manuale del motore per le precauzioni per ridurre il rischio di ustioni, esplosioni e gravi lesioni durante la manipolazione e l'utilizzo di benzina.
- **I motori producono monossido di carbonio, un gas velenoso incolore e inodore. La respirazione di monossido di carbonio può provocare nausea, svenimento o decesso.** Non avviare il motore e farlo funzionare in un ambiente chiuso, anche se porte e finestre sono aperte. Azionare solo all'esterno.
- **Le superfici calde possono provocare ustioni e incendi.** Tenere le parti del corpo e il materiale infiammabile lontani dalle superfici calde.
- **Leggere e capire questo manuale, il manuale del motore e le avvertenze e le istruzioni per tutte le attrezzature in uso con questo strumento prima di operare.** La mancata osservanza di tutte le istruzioni può determinare danni alla proprietà e/o serie lesioni personali.

La dichiarazione di conformità CE (890-011-320.10) accompagnerà questo manuale con un libretto separato quando necessario.

Per qualsiasi domanda su questo prodotto RIDGID®:

- Contattare il distributore locale RIDGID.
- Visitare [www.RIDGID.com](http://www.RIDGID.com) o [www.RIDGID.eu](http://www.RIDGID.eu) per trovare la sede RIDGID più vicina.
- Contattare il servizio tecnico di RIDGID inviando una e-mail all'indirizzo [rtctechservices@emerson.com](mailto:rtctechservices@emerson.com) oppure, negli Stati Uniti e in Canada, chiamare il numero (800) 519-3456.

## Descrizione, specifiche e dotazione standard

### Descrizione

Le macchine stasatrici idropneumatiche con motore a scoppio RIDGID® sono progettate per utilizzare una combinazione di pressione e di flusso di acqua per sgombrare grasso, fanghi, sedimenti e radici dalle fognature. Un tubo altamente flessibile e leggero viene spinto attraverso la condotta dai getti posti dietro l'iniettore e quando viene recuperato raschia la linea facendone uscire i detriti. Quando viene inserito il meccanismo ad azione pulsante, diventa più facile superare curve e sifoni. Tutte le macchine sono dotate di un motore a benzina per azionare la pompa a tre pistoni.

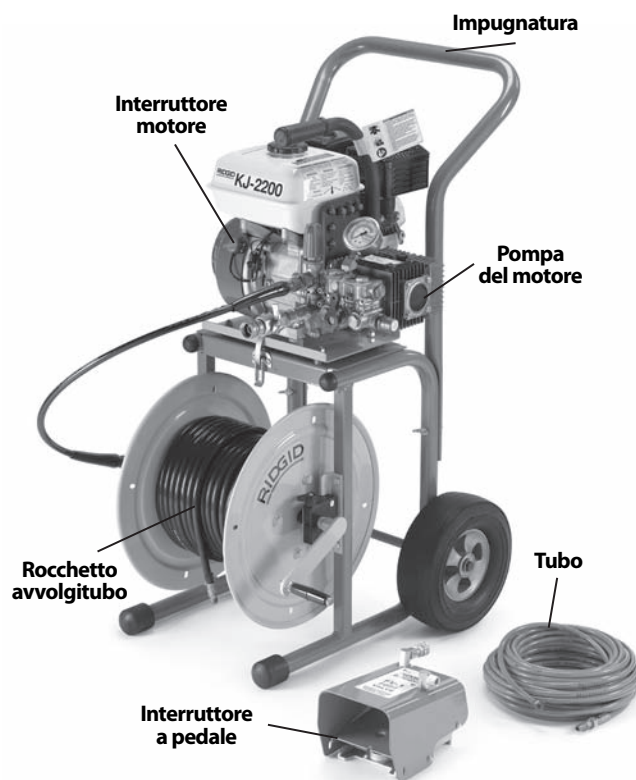


Figura 1 – Macchina stasatrice idropneumatica KJ-2200

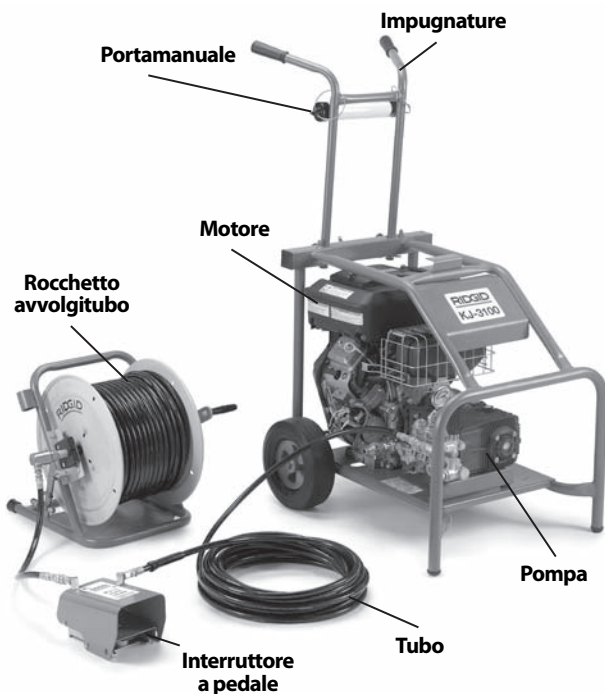


Figura 2 – Macchina stasatrice idropneumatica KJ-3100



Figura 3 – Numero di matricola della macchina

Il numero di matricola della macchina si trova sul telaio. Le ultime 4 cifre indicano il mese e l'anno di produzione. (08 = mese, 10 = anno)

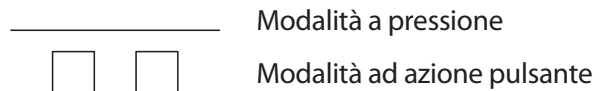
### Caratteristiche tecniche

Modello di stasatrice idropneumatica	Motore CV	Pressione PSI / bar
KJ-2200	6.5 / 6,5	2200 / 150
KJ-3100	16	3000 / 205

Tasso di flusso GPM / litro	Capacità tubazione di scarico pollici / mm	Peso (senza avvolgitubo) libbre / kg
2.4 / 9	1 1/4 - 6 / 32 - 152	65 / 30
5.5 / 20	2 - 10 / 50 - 250	262 / 119

### Icone



### Attrezzature standard

Tutte le stasatrici vengono fornite con

- Appropriati iniettori per stasature standard
- Utensile per la pulizia degli iniettori
- Comando a pedale FV-1
- Manuale di istruzioni del motore

Vedere il catalogo RIDGID per le attrezzature specifiche fornite con relativi numeri di catalogo.

**AVVISO** Questa macchina serve a pulire gli scarichi. Se utilizzata in modo appropriato non danneggia gli scarichi in buone condizioni, progettati, costruiti e mantenuti adeguatamente. Se la condotta di scarico è in cattive condizioni o non correttamente progettata, costruita e con buona manutenzione, il processo di statura potrebbe non essere efficace o potrebbe provocare il danneggiamento della condotta. Il modo migliore per valutare lo stato di uno scarico prima di pulirlo è effettuare un'ispezione visiva con una telecamera. L'uso improprio di questa macchina stasatrice può danneggiare la stasatrice e la condotta. Questa macchina potrebbe non riuscire a eliminare tutte le ostruzioni.



## Montaggio della macchina

### ⚠ AVVERTENZA

**Per evitare gravi lesioni durante l'uso ed evitare il danneggiamento di macchina, attenersi alle seguenti procedure per il corretto montaggio.**

### Olio motore

**AVVISO** La stasatrice viene spedita senza olio nel motore. Il funzionamento del motore senza olio porterà al guasto del motore. Aggiungere l'olio prima dell'uso. Per le informazioni specifiche su come aggiungere e scegliere l'olio, consultare il manuale di istruzioni del motore fornito con la macchina.

### Pompa/Olio scatola del cambio

**Pompa:** Sostituire il tappo nella parte superiore della pompa con un tappo dotato di astina di livello/sfiato. L'azionamento della stasatrice con il tappo per il trasporto potrebbe danneggiare le guarnizioni della pompa. Controllare il livello dell'olio conformemente alla *sezione delle Istruzioni di manutenzione*

**Scatola del cambio (solo KJ-3100):** Sostituire il tappo nella parte superiore della pompa con un tappo dotato di astina di livello/sfiato. L'azionamento della stasatrice con il tappo per il trasporto potrebbe danneggiare le guarnizioni della pompa. Controllare il livello di lubrificante conformemente alla *sezione delle Istruzioni di manutenzione*

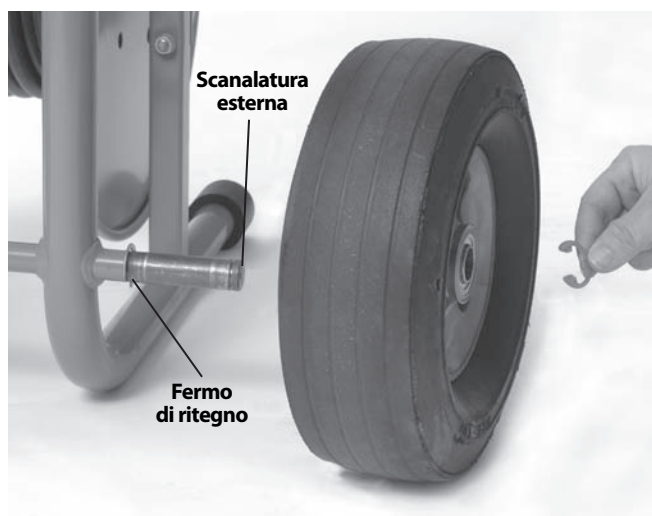


Figura 4 – Assemblaggio della KJ-2200

### Carrello per trasporto KJ-2200

1. Installare il fermo di fissaggio nella scanalatura interna su ciascuna estremità dell'asse. (v. Figura 4.)
2. Far scorrere una ruota su ciascuna estremità dell'asse.
3. Installare il fermo di fissaggio nella scanalatura esterna su ciascuna estremità dell'asse per trattenere la ruota.
4. Utilizzare i bulloni del carrello e i galletti in dotazione per fissare l'impugnatura al telaio.
5. Sollevare il gruppo motore/pompa sul carrello, allineando i fori nella piastra di base con le spine nella parte superiore del carrello. Utilizzare i fermi sul carrello per fissare il motore/pompa. Assicurarsi che il gruppo sia fissato saldamente.

### Montaggio dell'impugnatura KJ-3100

1. Inserire l'impugnatura attraverso i due fori nella barra trasversale posteriore del telaio. (v. Figura 5.)
2. Inserire una forcella attraverso i fori nella parte inferiore del manubrio per impedire al manubrio di uscire.
3. Avvitare i pomelli a T nella barra trasversale posteriore. Regolare i manubri come desiderato e serrare i pomelli per fissare il manubrio.

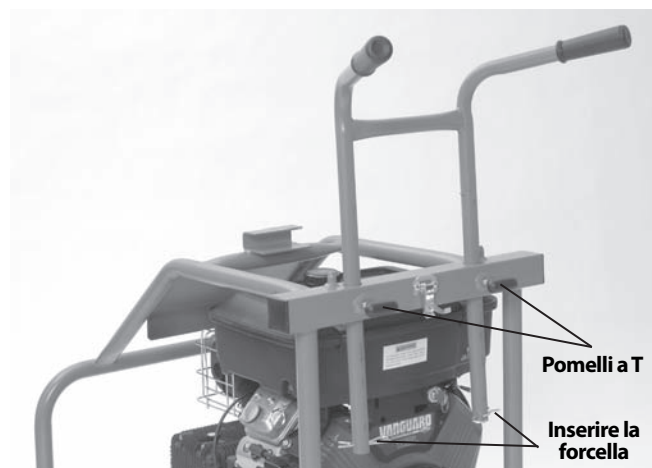
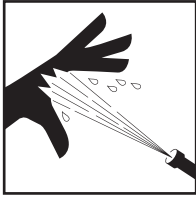


Figura 5 – Assemblaggio delle impugnature della KJ-3100

## Ispezione prima dell'uso

### ⚠ AVVERTENZA



**Prima di ogni uso, ispezionare la stasatrice idropneumatica e eliminare gli eventuali problemi per ridurre il rischio di gravi lesioni provocate dall'acqua ad alta pressione e da altre cause ed evitare il danneggiamento della stasatrice.**

**Quando si ispeziona la stasatrice, indossare sempre occhiali protettivi, guanti e altro equipaggiamento protettivo idoneo per proteggersi contro le sostanze chimiche e i batteri presenti sulle attrezzature.**

1. Assicurarsi che l'interruttore/chave del motore sia nella posizione di SPENTO.
2. Pulire l'eventuale olio, grasso o sporcizia dalle attrezzature, comprese le impugnature e i comandi. Questo facilita l'ispezione e impedisce che la macchina o il comando scivolino dalle mani dell'operatore.
3. Ispezionare le stasatrice idropneumatica e gli accessori come segue:
  - Montaggio adeguato e accurato.
  - Parti rotte, usurate, mancanti, disallineate, inceppate o allentate.
  - Presenza e leggibilità delle etichette di avvertimento. (v. Figura 6.)
  - Qualsiasi altra condizione che possa impedire il funzionamento sicuro e normale.

In caso di problemi, non usare la stasatrice idropneumatica fino a quando tali problemi non siano stati risolti.



Figura 6A – Etichette di avvertenza della KJ-2200



Figura 6B – Etichette di avvertenza della KJ-2200

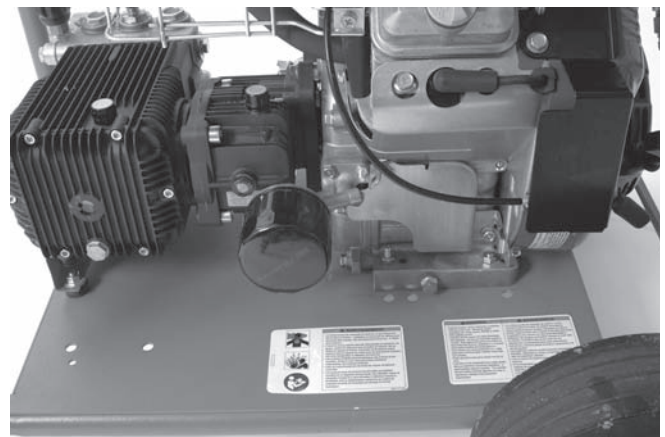
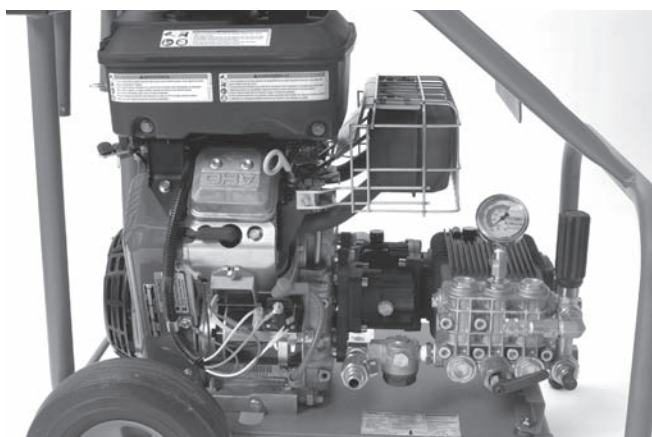
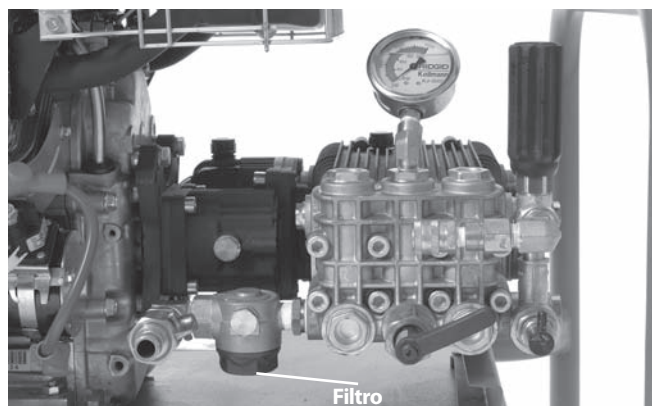


Figura 6C – Etichette di avvertenza della KJ-3100



**Figura 6D – Etichette di avvertenza della KJ-3100**

4. Pulire il filtro di ingresso dell'acqua/rondella del filtro. Svitare il coperchio dal fondo del filtro d'ingresso per la pulizia. La sporcizia e i detriti possono limitare il flusso d'acqua alla pompa e causare problemi di prestazioni.



**Figura 7 – Filtro ingresso/rondella filtro**

5. Esaminare gli orifizi dell'iniettore della stasatrice per eventuali danneggiamenti od ostruzioni. Le ostruzioni possono essere pulite con un utensile per la pulizia dell'iniettore. Fare attenzione a non allargare gli orifizi dell'iniettore durante la pulizia. Gli iniettori danneggiati o gli iniettori con gli orifizi allargati possono diminuire le prestazioni della stasatrice e devono essere sostituiti.
6. Esaminare i tubi, i connettori e i raccordi per individuare l'usura e il danneggiamento. Se ci sono pieghe, crepe, rotture o usura sulla guaina esterna del tubo o altri danni, non utilizzare il tubo. I tubi danneggiati possono scoppiare o perdere acqua ad alta pressione e causare gravi lesioni. I tubi e il raccordo

di riparazione devono avere un valore nominale pari o superiore della pressione della stasatrice.

7. Esaminare ed eseguire la manutenzione del motore conformemente al manuale di istruzioni del motore.
8. Controllare il livello di carburante del motore. Per la KJ-3100, scollegare il fermo del rocchetto avvolgitubo e ruotare in avanti il rocchetto fino a quando non si agganci all'apposito fermo posto sul telaio in modo da permettere l'accesso al tappo della benzina del motore *Figura 8*. Se necessario, aggiungere benzina senza piombo. Per i particolari, consultare il manuale di istruzioni del motore. Prestare attenzione quando si maneggia la benzina. Rifornirsi di carburante in una zona ben ventilata. Non riempire eccessivamente il serbatoio e non far uscire il carburante. Assicurarsi che il tappo del serbatoio sia chiuso saldamente.



**Figura 8 – Accesso serbatoio carburante della KJ-3100**

9. Controllare il livello olio nella pompa e nella scatola ingranaggi (se presente) e aggiungere olio se necessario (*vedere la sezione Istruzioni di manutenzione*).

## Preparazione della macchina e dell'area di lavoro

### ⚠ AVVERTENZA



**Nella fase di allestimento della stasatrice, indossare sempre occhiali protettivi, guanti e altro equipaggiamento protettivo idoneo per proteggersi contro le sostanze chimiche e i batteri presenti sulle attrezzature. Scarpe antiscivolo con suola in gomma sono di ausilio nel prevenire scivolamenti su superfici bagnate.**

**I motori producono monossido di carbonio, un gas velenoso incolore e inodore. La respirazione di monossido di carbonio può provocare nausea, svenimento o decesso. Non avviare il motore e farlo funzionare in un ambiente chiuso, anche se porte e finestre sono aperte. Azionare solo all'esterno.**

**Allestire la stasatrice e l'area di lavoro seguendo queste procedure per ridurre il rischio di lesioni da acqua ad alta pressione, ustioni chimiche, infezioni, monossido di carbonio e altre cause ed evitare il danneggiamento della stasatrice.**

- Controllare l'area di lavoro per individuare:
  - Illuminazione adeguata.
  - Liquidi infiammabili, vapori o polveri che possono incendiarsi. Se presenti, non lavorare nell'area fino a quando non se ne identifica ed elimina la fonte. La stasatrice non è prova di esplosione e può provocare scintille.
  - Un luogo pulito, in piano e asciutto per la macchina e l'operatore. Se necessario, rimuovere l'acqua dal luogo di lavoro. È possibile che coperture in legno o altro debbano essere rimosse.
  - Che la stasatrice sia posizionata in una zona ben ventilata all'aperto. Non collocare la stasatrice in locali al chiuso, nemmeno con porte e finestre aperte. La stasatrice può essere posizionata a distanza dal punto di utilizzo.
  - Un adatto approvvigionamento idrico.
  - Un percorso privo di ostacoli per il trasporto della stasatrice alla posizione di allestimento.
- Ispezionare la condotta di scarico da pulire. Se possibile, stabilire i punti di accesso alla condotta di scarico, le dimensioni e le lunghezze della condotta, la distanza dai serbatoi o dalle linee principali,

la natura dell'ostruzione, la presenza di sostanze chimiche per la pulizia dello scarico o di altre sostanze chimiche ecc. Se nella condotta di scarico sono presenti delle sostanze chimiche, è importante essere a conoscenza delle misure specifiche di sicurezza necessarie per evitare tali sostanze chimiche. Contattare il fornitore degli agenti chimici per ottenere informazioni.

Se necessario, rimuovere gli impianti sanitari (w.c. ecc.) per consentire l'accesso alla condotta di scarico. Non far passare il tubo attraverso l'impianto sanitario. Questo potrebbe danneggiare il tubo e l'impianto.

- Stabilire l'attrezzatura adatta all'uso. *Vedere la sezione Dati tecnici* per informazioni su queste stasatrici. Consultando il catalogo on-line RIDGID, disponibile all'indirizzo [www.RIDGID.com](http://www.RIDGID.com) o [www.RIDGID.eu](http://www.RIDGID.eu), è possibile trovare sturatori per condotte e stasatrici per altri utilizzi.
- Verificare che l'intera apparecchiatura sia stata verificata correttamente.
- Controllare l'area di lavoro e determinare se siano necessarie delle barriere per mantenere lontani gli estranei. Persone estranee possono distrarre l'operatore. Se si lavora in presenza di traffico, usare coni o altri tipi di barriere per avvertire i guidatori.
- Se necessario, togliere le coperture di protezione dal luogo di lavoro. Il processo di pulizia dello scarico può essere complicato.
- Portare la stasatrice a un'area di lavoro ben ventilata all'esterno lungo il percorso privo di ostacoli. Se la macchina deve essere sollevata, utilizzare tecniche di sollevamento adeguate. Prestare attenzione nello spostare le attrezzature su e giù per le scale, ed essere consapevoli della possibilità che ci siano pericoli di slittamento. Indossare calzature appropriate per evitare di scivolare.

### Rifornimento idrico

Accertarsi che ci sia un flusso d'acqua sufficiente per la stasatrice. Stendere un tubo dall'alimentazione d'acqua alla stasatrice. Usare un tubo più corto possibile con il diametro più grande disponibile. Un tubo da  $\frac{3}{4}$ " / 19 mm di diametro interno è la dimensione minima raccomandata. Deve essere utilizzata una valvola di non ritorno che soddisfi tutti i codici e le ordinanze locali. Aprire l'acqua nel punto di rifornimento e misurare il tempo necessario per riempire un secchio pulito di circa 5 galloni / 18,9 litri. *Vedere la seguente tabella per i tempi massimi di riempimento del secchio per ogni stasatrice.*

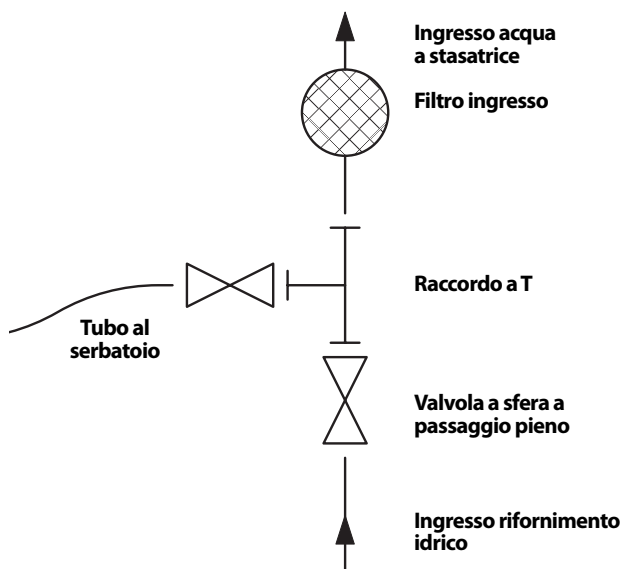


Stasatrice idropneumatica	Valore nominale GPM/litro	Max. 5 galloni / 18,9 litri Tempo riempimento secchio
KJ-2200	2.4 / 9	125 secondi
KJ-3100	5.5 / 20	55 secondi

Un flusso d'acqua insufficiente impedirà alla stasatrice di raggiungere il valore nominale della pressione e potrebbe danneggiare la pompa. Esaminare l'acqua nel secchio per individuare la presenza di sporcizia e detriti. La sporcizia e i detriti nell'approvvigionamento idrico possono provocare l'usura eccessiva della pompa, ostruire gli iniettori dei filtri della stasatrice e ridurre le prestazioni. Non usare l'acqua prelevata da stagni, laghi o altre fonti che possono essere contaminate.

In casi di flusso d'acqua insufficiente, le possibili soluzioni includono l'utilizzo di raccordi per permettere di collegare alla stasatrice ulteriori tubi di approvvigionamento o l'impiego di un serbatoio.

Se viene utilizzato un serbatoio, collegare un raccordo a T con valvole a sfera a passaggio pieno all'ingresso dell'acqua della stasatrice come mostrato nella *Figura 9*. Collegare un tubo da  $3/4$ " / 19 mm non più lungo di 6 piedi / 1,8 m tra il filtro di entrata della stasatrice e l'uscita del raccordo a T, e collegare l'approvvigionamento di acqua all'ingresso del raccordo a T. Mettere l'estremità dell'altro tubo nel serbatoio o collegarla all'uscita del serbatoio. Il tubo del serbatoio non dovrebbe essere a più di 5" / 12,7 cm di distanza/sopra rispetto l'ingresso dell'acqua della stasatrice, in caso contrario la stasatrice non aspirerà l'acqua dal serbatoio.



**Figure 9 – Attacchi approvvigionamento idrico quando si usa un serbatoio**

Riempire il serbatoio prima di avviare la stasatrice. Quando si avvia la stasatrice, chiudere la valvola del serbatoio. Non appena la stasatrice è avviata, aprire la valvola del serbatoio. Monitorare il livello dell'acqua del serbatoio e se necessario, fermare la stasatrice per consentire il rabbocco del serbatoio. Non permettere al livello dell'acqua di scendere sotto l'estremità del tubo.

Per una migliore pulizia può essere utilizzata l'acqua calda. Non usare acqua ad una temperatura superiore a 140°F / 60°C – questo può causare l'apertura del sovraccarico termico della pompa. Quando si usa l'acqua calda, utilizzare adeguati dispositivi di protezione individuale per ridurre il rischio di ustioni.

Quando la si utilizza con temperature esterne vicine a 32°F / 0°C, prendere le opportune precauzioni per evitare che l'acqua si congeli nella pompa. Ciò può danneggiare la pompa.

Assicurarsi che la valvola di alimentazione d'ingresso sulla stasatrice sia chiusa e collegare il tubo di alimentazione alla stasatrice.

### Preparazione della condotta

Se si lavora attraverso un tombino, una grata di scarico o altri tipi di accesso di grandi dimensioni, utilizzare tubi e raccordi per creare una guida per il tubo della stasatrice dall'apertura dello scarico al punto delle operazioni. Questo impedirà al tubo della stasatrice di sbattere in tutte le direzioni nell'accesso e proteggerà il tubo dal danneggiamento.

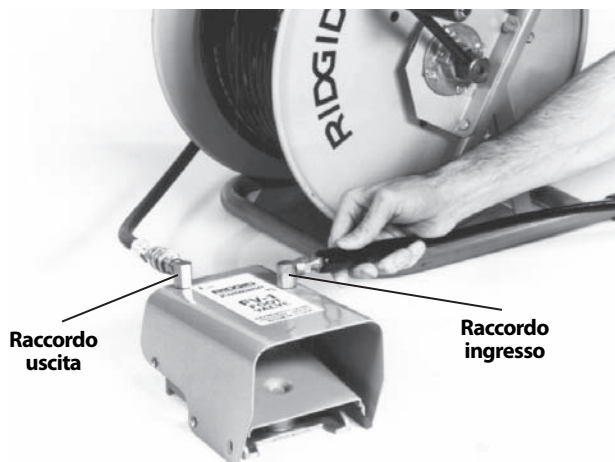


**Figura 10 – Estensione dell'apertura della condotta al punto operativo**

## Allestimento del tubo

Prestare attenzione nello stendere i tubi della stasatrice. Appoggiando i tubi su superfici ruvide, spigoli vivi, incrociando i tubi ecc. si può provocare il danneggiamento del rivestimento del tubo, soprattutto quando la stasatrice è utilizzata nella modalità ad azione pulsante. Il danneggiamento del tubo della stasatrice sarà minimizzato se questo sarà mantenuto avvolto sul rocchetto.

1. Selezionare una dimensione appropriata del tubo per la condotta di scarico da pulire. È generalmente sconsigliato collegare insieme due tubi per pulire le condutture di scarico. La connessione tra i due tubi è meno flessibile e può impedire il passaggio attraverso i raccordi. *Ved. Tabella di selezione tubo stasatrice.*
2. Se necessario, separare il rocchetto avvolgitubo dal gruppo del motore/pompa. Posizionare il rocchetto avvolgitubo entro 3 piedi / 90 cm dall'apertura della condotta. Non lasciare una lunghezza eccessiva del tubo fuori dalla condotta per evitare il danneggiamento del tubo. Se il rocchetto avvolgitubo non può essere posizionato entro 3 piedi / 90 cm dall'apertura della condotta, prolungare l'apertura della condotta fino al rocchetto con una tubazione e dei raccordi di dimensioni simili.
3. Instradare un tubo dalla stasatrice al raccordo d'ingresso della valvola del comando a pedale. Utilizzare del nastro di teflon per sigillare la connessione. Posizionare il comando a pedale in modo che sia facilmente accessibile. Deve essere possibile controllare sia il tubo della stasatrice che il comando a pedale.
4. Instradare il tubo dal rocchetto avvolgitubo al raccordo di USCITA sul comando a pedale.



**Figura 11 – Collegamento del comando a pedale**

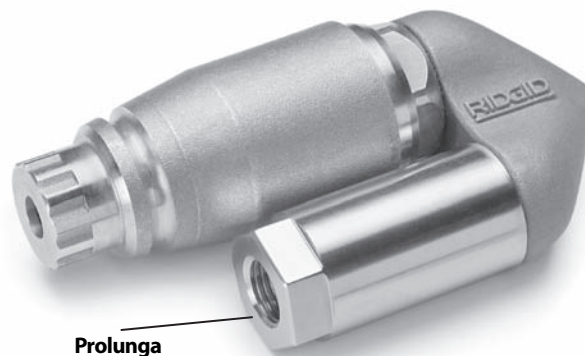
5. Contrassegnare il tubo della stasatrice vicino all'estremità per indicare quando l'iniettore si sta avvicinando

all'uscita della condotta quando viene ritirato. Questo aiuterà a impedire che l'iniettore fuoriesca dalla condotta e cominci a sbattere in tutte le direzioni. La distanza dipende dalla configurazione della condotta di scarico, ma dovrebbe essere di almeno 4' / 1,2 m.

6. Rimuovere l'iniettore dall'estremità del tubo della stasatrice e mettere l'estremità del tubo nella condotta. Aprire la valvola di alimentazione d'ingresso per eliminare l'aria e tutti i residui dalla stasatrice e dai tubi. Permettere all'acqua di defluire per almeno 2 minuti.
7. Chiudere la valvola di alimentazione d'ingresso.
8. Scegliere un iniettore. Utilizzare iniettori specificamente dimensionati per la stasatrice che viene usata. L'uso di iniettori errati può provocare prestazioni scadenti (pressione operativa bassa o flusso basso) o può danneggiare la stasatrice a causa delle pressioni eccessivamente alte. Assicurarsi che i fori dell'iniettore siano puliti e aperti. *Vedere il grafico di selezione degli iniettori della stasatrice.*

Se si utilizza l'iniettore RR3000 per condutture di scarico più grandi di 6" / 152 mm e fino a 9" / 229 mm, deve essere usata la prolunga. Per le condutture di scarico di 6" / 152 mm e più piccole, non è necessaria nessuna prolunga. Se necessario, stringere saldamente a mano la prolunga sull'RR3000 – non stringere eccessivamente. Se si usa l'iniettore RR3000 in una linea più grande di 6" / 152 mm e fino a 9" / 229 mm senza una prolunga, o in linee più grandi di 9" / 229 mm, l'iniettore può cambiare direzione nella condotta, uscire all'estremità dell'utente e causare gravi lesioni (*Figura 12*).

9. Serrare saldamente a mano l'iniettore all'estremità del tubo – non serrare eccessivamente. Il serraggio eccessivo può danneggiare l'iniettore e provocarne le prestazioni scadenti.
10. Inserire il tubo con l'iniettore montato nella condotta di scarico ed aprire la valvola di alimentazione in ingresso. Verificare che acqua fluisce liberamente attraverso l'iniettore e chiudere la valvola di alimentazione d'ingresso.



**Figure 12 – Iniettore con prolunga RR3000**

**TABELLA DI SELEZIONE TUBI STASATRICE**

Applicazioni		Dimensioni tubo pollici / mm	Dimensioni iniettore pollici / mm	Dimensioni tubo (DI) pollici / mm	Dimensioni tubo (DE) pollici / mm
KJ-2200	Lavelli da bagno, orinatoi e piccole tubazioni.	1 1/4 - 2 / 32 - 50	1/8 / 3,2 NPT	1/8 / 3,2	3/16 / 4,8
	Lavabi da cucina, vasche da bagno e camini, orifici di drenaggio e scarichi.	2 - 3 / 50 - 76	1/8 / 3,2 NPT	3/16 / 4,8	1/4 / 6,4
	Condutture di scarico di docce e a pavimento, linee laterali e sifoni per scarico grassi.	3 - 4 / 76 - 101	1/4 / 6,4 NPT	1/4 / 6,4	1/2 / 13
	Linee laterali e principali.	4 - 6 / 101 - 152	1/4 / 6,4 NPT	1/4 / 6,4	1/2 / 13
KJ-3100	Camini, orifici di drenaggio e scarichi.	2 - 3 / 50 - 76	1/8 / 3,2 NPT	3/16 / 4,8	1/4 / 6,4
	Scarico a pavimento, linee laterali e sifoni per scarico grassi.	3 - 4 / 76 - 101	1/4 / 6,4 NPT	3/8 / 9,5	5/8 / 16
	Linee laterali e principali.	4 - 10 / 101 - 250	1/4 / 6,4 NPT	3/8 / 9,5	5/8 / 16

**TABELLA DI SELEZIONE INIETTORI STASATRICE**

KJ-2200	<b>Dimensione filetto in. mm</b>	1/8 / 3,2 NPT	1/4 / 6,4 NPT
	<b>Dimensione del tubo (diametro interno), in. / mm</b>	1/8 e 3/16 / 3,2 e 4,8	1/4 / 6,4
	<b>Dimensione del tubo (diametro esterno), in. / mm</b>	3/16 e 1/4 / 4,8 e 6,4	1/2 / 13
	Si caratterizza per tre getti di propulsione, per una maggior spinta sulle lunghe distanze. Utilizzare questo iniettore per la maggior parte delle applicazioni.	<b>H-61</b>	<b>H-71</b>
	Utilizza tre getti di propulsione all'indietro più un getto puntato in avanti per penetrare nelle ostruzioni compatte di grasso o fanghiglia. Il getto in avanti produce un piccolo foro nell'ostruzione in modo che l'iniettore possa penetrare. È molto efficace anche nella stasatura di ostruzioni provocate da ghiaccio.	<b>H-62</b>	<b>H-72</b>
	Utilizzare la testina snodabile per aiutare a superare le curve difficili. Questo iniettore ha tre getti di propulsione all'indietro.	<b>H-64</b>	
	Utilizzare l'iniettore rotante per pulire il grasso e ostruzioni simili dalla condotta di scarico.	<b>H-65</b>	<b>H-75</b>

KJ-3100	<b>Dimensione filetto, in. mm</b>	1/8 / 3,2 NPT	1/4 / 6,4 NPT
	<b>Dimensione del tub (diametro interno), in. / mm</b>	3/16 / 4,8	3/8 / 9,5
	<b>Dimensione del tubo (diametro esterno), in. / mm</b>	1/4 / 6,4	5/8 / 16
	Si caratterizza per quattro (4) getti a propulsione, per una maggior spinta sulle lunghe distanze. Utilizzare questo iniettore per la maggior parte delle applicazioni.	<b>H-101</b>	<b>H-111</b>
	Utilizza tre getti di propulsione all'indietro più un getto puntato in avanti per penetrare nelle ostruzioni compatte di grasso o fanghiglia. Il getto in avanti produce un piccolo foro nell'ostruzione in modo che l'iniettore possa penetrare. È molto efficace anche nella stasatura di ostruzioni provocate da ghiaccio.	<b>H-102</b>	<b>H-112</b>
	Utilizzare la testina snodabile per aiutare a superare le curve difficili. Questo iniettore ha quattro (4) getti di propulsione all'indietro.	<b>H-104</b>	
	Utilizzare l'iniettore rotante per pulire il grasso e ostruzioni simili dalla condotta di scarico.	<b>H-105</b>	<b>H-115</b>
Utilizzarlo per eliminare radici e altri tipi di ostruzioni. NOTA: Utilizzare la prolunga per stabilizzare la RR3000 quando si puliscono condutture del diametro di 8" / 200 mm".		<b>RR3000</b>	

## Istruzioni d'uso

### ⚠ AVVERTENZA



**Indossare sempre occhiali protettivi per proteggere gli occhi da sporcizia e corpi estranei. Indossare sempre attrezzature protettive personali appropriate per l'ambiente di lavoro.**

**Non azionare mai la stasatrice con l'estremità del tubo fuori dalla condotta. Il tubo può dare un colpo di frusta, provocando delle lesioni da colpi e il getto può penetrare nella pelle e provocare gravi lesioni.**

**L'acqua ad alta pressione può venire iniettata sotto la pelle, provocando gravi lesioni compresa l'amputazione. Non dirigere il getto verso persone o animali.**

**Non azionare la stasatrice a valori di pressione superiori a quello nominale o a 140°F / 60°C (temperatura dell'acqua d'ingresso). Ciò aumenta il rischio di lesioni, comprese le ustioni, e danneggiamento alla stasatrice.**

**Una sola persona deve controllare sia il processo di stasatura a getto che il comando a pedale. Utilizzare sempre il comando a pedale. Se il tubo della stasatrice esce dalla condotta, l'operatore deve essere in grado di spegnere il flusso di acqua per ridurre il rischio che il tubo della stasatrice sbatta in tutte le direzioni, provocando lesioni da colpi imprevisti e da iniezione ad alta pressione.**

**Utilizzare sempre dispositivi di protezione personale durante l'uso dell'apparecchiatura per stasare gli scarichi. Gli scarichi possono contenere agenti chimici, batteri e altre sostanze potenzialmente tossiche, infettive, ustionanti o altrimenti pericolose. Un'adeguata dotazione protettiva comprende sempre guanti e occhiali di protezione, oltre a guanti di lattice o di gomma, schermi per il viso, mascherine, indumenti di sicurezza, respiratori e calzature con punta d'acciaio.**

**Seguire le istruzioni di funzionamento per ridurre il rischio di lesioni provocate da tubi che sbattono in tutte le direzioni, iniezione di liquido ad alta pressione, monossido di carbonio o altre cause.**

1. Verificare che la macchina e la zona di lavoro siano state preparate adeguatamente e che la zona di lavoro non sia occupata da estranei o da altre fon-

ti di distrazione. Se la stasatrice si trova a una certa distanza dal punto di utilizzo, un'altra persona deve essere situata presso la stasatrice.

2. Inserire il tubo con l'iniettore montato nella condotta di almeno un metro in modo che l'estremità del tubo non esca dalla condotta e non sbatta in tutte le direzioni quando la macchina viene avviata.
3. Verificare che la leva dell'attuatore ad azione pulsante sia ruotata in senso antiorario nella posizione di "Pressione" (Figura 16).
4. Aprire la valvola di alimentazione d'ingresso. Non avviare il motore senza l'approvvigionamento dell'acqua APERTO. Ciò può danneggiare la pompa.
5. Premere il comando a pedale per ridurre la pressione e permettere l'avviamento del motore. Verificare che l'acqua fluisca liberamente attraverso l'iniettore. Seguendo le istruzioni di avvio fornite nel manuale del motore, avviare il motore. Permettere al motore di riscaldarsi.

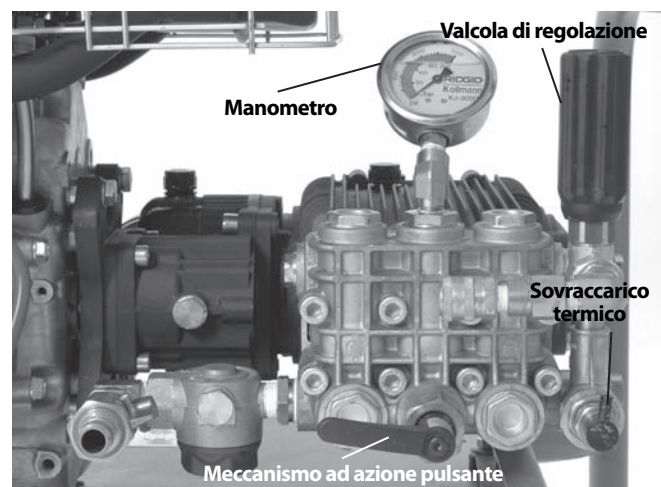


Figura 13 – Comandi

6. Girare la valvola di regolazione monitorando il manometro per regolare la pressione come desiderato (in senso orario per aumentare la pressione, in senso antiorario per diminuire la pressione). Non superare la pressione nominale della macchina in uso. Non forzare la valvola di regolazione o non utilizzare chiavi inglesi o strumenti per girarla. Questo danneggerà la valvola di regolazione.

Stasatrice idropneumatica	Valore nominale della pressione, PSI / bar
KJ-2200	2200 / 150
KJ-3100	3000 / 205



Se la stasatrice non genera la pressione nominale o è irregolare:

- Assicurarsi che l'acceleratore del motore sia regolato correttamente.
  - Assicurarsi che la valvola di alimentazione d'ingresso sia completamente aperta e che le altre valvole nel sistema di alimentazione siano completamente aperte.
  - Girare in senso orario la valvola di regolazione per aumentare la pressione. Non forzare.
  - Assicurarsi che il meccanismo ad azione pulsante sia all'impostazione "Pressione".
  - Commutare diverse volte il meccanismo ad azione pulsante tra le posizioni di "Pressione" e "Impulso" mentre l'unità è in funzione per eliminare dal sistema l'aria intrappolata.
  - Controllare la tenuta del sistema. Prestare attenzione durante l'ispezione per evitare lesioni. Se sono trovate delle perdite, SPEGNERE la stasatrice prima di intervenire per eliminare la problematica.
  - SPEGNERE la stasatrice. Controllare il filtro d'ingresso/rondella del filtro e assicurarsi che siano privi di detriti.
  - Assicurarsi che ci sia il flusso d'acqua adeguato alla stasatrice.
  - SPEGNERE la stasatrice e chiudere la valvola di alimentazione d'ingresso. Rimuovere l'iniettore e pulire gli orifizi con l'utensile per la pulizia di iniettore.
  - Far funzionare la stasatrice senza un iniettore sul tubo per rimuovere l'aria o i detriti dal sistema. SPEGNERE la stasatrice prima della rimozione o del fissaggio dell'iniettore.
7. Assumere una posizione operativa corretta.
- Essere sicuri di poter controllare l'azione APERTO/CHIUSO del comando a pedale. Non premere ancora il comando a pedale.
  - Assicurarsi di avere un buon equilibrio e di non doversi sporgere.
  - Deve essere sempre possibile mettere una mano sul tubo della stasatrice per controllare e sostenere il tubo.
  - Deve essere possibile raggiungere il rocchetto avvolgitubo per avvolgere il tubo.
- Questa posizione operativa aiuterà a mantenere il controllo del tubo della stasatrice.




Figura 14 – Posizione operativa corretta

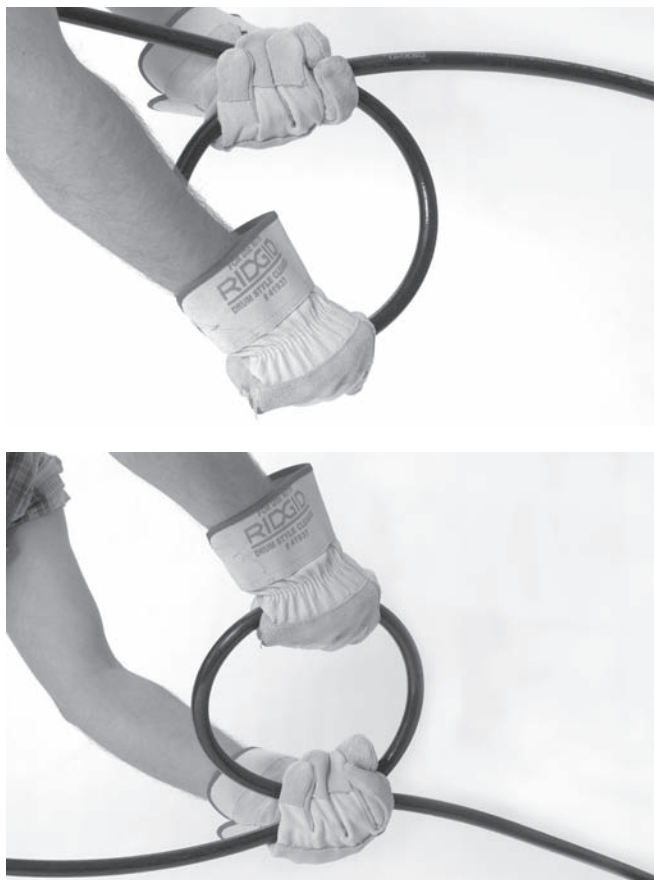
### Stasatura della condotta

Quando si effettua la stasatura idropneumatica di una condotta di scarico, in genere il tubo viene inserito nella condotta per l'intera distanza da pulire e poi viene lentamente estratto. Questo consente di dirigere l'acqua ad alta pressione sulle pareti della condotta per rimuovere l'accumulo.

Rilasciare il perno di bloccaggio sull'avvolgitubo. Con almeno un metro del tubo nella condotta e una mano sul tubo per controllarne il movimento, premere il comando a pedale. I getti di propulsione all'indietro sull'iniettore aiuteranno l'avanzamento del tubo nella condotta. Inserire il tubo nella condotta quanto necessario per effettuare la pulizia. Se il tubo si ferma, ha incontrato qualche tipo di ostruzione.

Se l'iniettore non può passare attraverso un'ostruzione, per es. a causa di un cambiamento della direzione (sifone, curva, ecc.) o un blocco:

- Dare dei colpi di spinta decisi con il tubo.
- Ruotare il tubo da un quarto a mezzo giro per orientare l'insieme del tubo conformemente al cambiamento di direzione (se il tubo viene ruotato, una volta superata l'ostruzione, ruotarlo nuovamente per evitare attorcigliamenti) *Vedere Figura 15.*
- Utilizzare la modalità ad azione pulsante.  (ved. la sezione successiva.)
- Usare un tubo per sifone o un tubo di diametro inferiore.



**Figura 15 – Rotazione del tubo**

Una volta superato il blocco, utilizzare tutto il tempo necessario per pulire quella sezione della condotta prima di andare avanti. Oltrepassare la zona dell'ostruzione per almeno un metro e tirare indietro lentamente l'iniettore attraverso la zona dell'ostruzione. Eseguire questa operazione più volte e quindi procedere ulteriormente nella condotta di scarico.

Osservare il livello delle acque di scarico. Se il livello dell'acqua diventa troppo alto, può essere necessario spegnere la stasatrice e permettere all'acqua di defluire prima di continuare. La stasatura quando la linea è piena di acqua è meno efficace di quando la linea è vuota. Non lasciare che la stasatrice funzioni per lunghi periodi di tempo con il comando a pedale CHIUSO. Quando il comando a pedale è CHIUSO, l'acqua ricircola nella pompa e provoca il riscaldamento dell'acqua. Questo può provocare l'apertura del sovraccarico termico della pompa.

Una volta che l'iniettore è alla distanza desiderata nella condotta, tirare lentamente indietro l'iniettore (1 piede / 30 cm per accumuli pesanti) attraverso la condotta di scarico. Utilizzare una mano per controllare il tubo e l'altro per avvolgerlo sul rocchetto avvolgitubo. Controllare mentre l'iniettore si avvicina all'apertura della

conduttura che questo non fuoriesca dalla condotta mentre l'acqua scorre. Questo potrebbe consentire al tubo di sbattere in tutte le direzioni e provocare lesioni da colpi imprevisti e da liquido ad alta pressione. Tenere sempre il tubo sotto controllo. Cercare di vedere il segno sul tubo vicino all'iniettore. Rilasciare il comando a pedale per chiudere il flusso d'acqua.

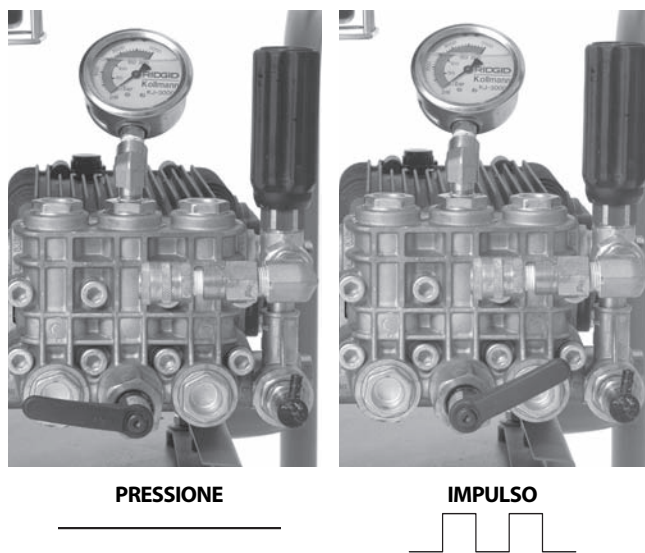
Spegnere il motore come indicato nel manuale del motore e premere il comando a pedale per scaricare la pressione del sistema. Non lasciare mai il sistema pressurizzato. All'occorrenza, sostituire l'iniettore e continuare a pulire seguendo la procedura sopra indicata. Si raccomanda di eseguire più passaggi all'interno di una tubazione per una pulizia completa.

Quando terminato, con la stasatrice spenta, rimuovere l'iniettore e aprire la valvola di alimentazione d'ingresso per lavare la pompa e il tubo. Se si utilizza la stasatrice in condizioni di temperature vicine a 32°F / 0°C, scaricare immediatamente l'acqua dal sistema per evitare danni da congelamento. Vedere *Immagazzinamento della macchina* per le informazioni sulla protezione dal congelamento.

**Uso della modalità ad azione pulsante.**

Quando la manipolazione del tubo non è sufficiente per passare attraverso un cambiamento di direzione o un'ostruzione, deve essere utilizzata la modalità ad azione pulsante. La modalità ad azione pulsante induce una grande variazione della pressione dell'acqua, il che provoca la vibrazione del tubo, facilitandone l'avanzamento.

1. Ruotare la leva del meccanismo ad azione pulsante in senso orario alla posizione "Impulsi". Nella modalità ad azione pulsante, la lettura del manometro sarà inferiore alla pressione totale. Questo è normale.



**Figura 16 – Posizione della leva del meccanismo ad azione pulsante**

2. Se necessario, utilizzare delle spinte decise e la rotazione del tubo per aiutare l'iniettore ad attraversare l'ostruzione.
3. Una volta attraversata l'ostruzione, girare in senso antiorario la leva del meccanismo ad azione pulsante fino alla posizione "Pressione". Non lasciare la stasatrice in modalità ad azione pulsante più del tempo necessario per passare attraverso un ostacolo. L'uso eccessivo della funzione ad azione pulsante può causare l'usura precoce dei tubi e del sistema.

### Utilizzo della macchina stasatrice idropneumatica come idropulitrice

Le macchine stasatrici idropneumatiche RIDGID possono essere utilizzate anche come idropultrici con l'aggiunta del kit di lavaggio a pressione. L'uso come idropultrice è simile a quello di una stasatrice e le rispettive istruzioni devono essere utilizzate in aggiunta con quanto segue.

1. Individuare un'area di lavoro appropriata.
2. Verificare che l'intera apparecchiatura sia stata verificata correttamente.
3. Collegare la lancia di lavaggio al tubo della lancia di lavaggio. Utilizzare sempre il tubo con un valore nominale della pressione alto almeno quanto il valore nominale della pressione della stasatrice. Utilizzare un sigillante per filetti per prevenire le perdite.
4. Collegare il tubo all'uscita della stasatrice. Assicurarsi che le estremità del tubo siano collegate saldamente per evitare che si stacchino sotto pressione.
5. Collegare alla stasatrice un approvvigionamento idrico appropriato, come descritto in precedenza.
6. Aprire la valvola di aspirazione d'ingresso e premere il grilletto della lancia di lavaggio per permettere all'acqua di scorrere ed eliminare l'aria dal sistema. Non avviare mai il motore senza l'approvvigionamento dell'acqua APERTO. Ciò può danneggiare la pompa.
7. Assicurarsi che la leva del meccanismo ad azione pulsante sia ruotata in senso antiorario nella posizione di "Pressione".
8. Regolazioni degli iniettori della lancia di lavaggio – Ruotando l'iniettore, la sagoma di lavaggio può essere regolata da un flusso fine a un ampio angolo di nebulizzazione a ventaglio. La pressione può essere regolata tirando l'iniettore in avanti (bassa pressione) e indietro (alta pressione). Assicurarsi che l'iniettore sia tirato indietro alla posizione di alta pressione per avviare il funzionamento.



Figura 17 – Regolazioni iniettore lancia di lavaggio

9. Blocco della lancia di lavaggio – la lancia di lavaggio include un blocco sul retro del grilletto. Rovesciare il blocco per impedire il funzionamento del grilletto quando la lancia di lavaggio non è in uso.
10. Con la lancia rivolta in direzione di sicurezza, premere il grilletto della lancia di lavaggio per ridurre la pressione e consentire al motore di essere avviato. Seguendo le istruzioni di avvio fornite nel manuale del motore, avviare il motore. Permettere al motore di riscaldarsi. Rilasciare il grilletto non appena il motore si avvia.
11. Con la lancia puntata in una direzione sicura, premere il grilletto della lancia di lavaggio. Girare la valvola di regolazione monitorando il manometro per regolare la pressione come desiderato. Non superare la pressione nominale della macchina. Rilasciare il grilletto della lancia di lavaggio.

### Azionamento dell'idropultrice

1. Quando la si utilizza come idropultrice, per maggiore controllo usare entrambe le mani per afferrare e dirigere la lancia di lavaggio. Non dirigere mai la lancia di lavaggio verso le persone. L'acqua ad alta pressione può venire iniettata sotto la pelle, provocando gravi lesioni. Non dirigere mai la lancia di lavaggio verso le attrezzature elettriche o i cablaggi per ridurre il rischio di scossa elettrica.
2. Controllare il flusso d'acqua con il grilletto. Prestare attenzione quando si utilizza l'idropultrice. Se l'iniettore viene tenuto troppo vicino a una superficie può danneggiarla. Provare un'area piccola e non appariscente per verificare che le impostazioni funzionano come desiderato.
3. Non lasciare che la stasatrice funzioni per lunghi periodi di tempo con il grilletto CHIUSO. Quando il grilletto è CHIUSO, l'acqua ricircola nella pompa e provoca il riscaldamento dell'acqua. Questo può provocare l'apertura del sovraccarico termico della pompa.
4. Una volta che il lavaggio a pressione sia stato completato, rilasciare il grilletto e spegnere il motore come indicato nel manuale del motore. Premere il grilletto per scaricare la pressione del sistema. Non lasciare mai pressurizzato il sistema.



## Iniettore del detergente

1. Se necessario, collegare l'iniettore del detergente alla porta di uscita. Rimuovere il tubo di uscita e collegare l'iniettore del detergente con la freccia sull'unità puntata nella stessa direzione del flusso d'acqua. Utilizzare un sigillante per filetti per prevenire le perdite. Ricollegare il tubo di uscita.
2. Collegare il tubo a sifone all'iniettore del detergente. Mettere l'estremità del filtro del tubo nel contenitore di detergente. Utilizzare solo detergenti progettati per l'uso con le idropultrici. Seguire tutte le istruzioni relative al detergente. Non spruzzare liquidi infiammabili o sostanze chimiche tossiche. Altri detergenti, solventi, detergenti, ecc. possono danneggiare la stasatrice, o provocare gravi lesioni.
3. Durante il lavaggio a pressione, i detersivi vengono erogati solo quando l'iniettore della lancia di lavaggio è in posizione di bassa pressione. Tirare l'iniettore in avanti alla posizione di bassa pressione per erogare il detergente.
4. Durante l'operazione, la velocità di applicazione del detergente può essere regolata girando il manicotto sull'iniettore di detergente. La rotazione in senso antiorario aumenta la quantità di detergente, in senso orario la diminuisce.
5. Una volta che l'applicazione di detergente sia stata completata, rimuovere il filtro dal detergente, metterlo in un secchio di acqua pulita e lavare via il detergente da tutto il sistema.

## Istruzioni di manutenzione

### ⚠ AVVERTENZA

**Prima di compiere qualsiasi operazione di manutenzione, l'interruttore del motore deve essere in posizione di SPENTO e i cavi della candela devono essere staccati per impedirne il funzionamento accidentale. Premere il comando a pedale o il grilletto della lancia per scaricare qualsiasi pressione di liquido dal sistema.**

**Indossare sempre guanti e occhiali di sicurezza durante l'esecuzione di qualsiasi intervento di manutenzione per protezione contro i prodotti chimici e i batteri della conduttura.**

### Pulizia

Il tubo deve essere pulito, se necessario, con acqua calda e sapone e/o disinfettanti. Non permettere l'ingresso dell'acqua nel motore o in altri componenti elettrici. Non pulire con l'idropulitrice. Pulire l'unità con un panno umido.

## Motore

Eseguire la manutenzione del motore, come indicato nel manuale di istruzioni del motore fornito con l'unità.

### Lubrificazione della pompa

Controllare il livello dell'olio della pompa prima dell'uso. Posizionare la stasatrice su una superficie piana. Pulire eventuale sporco e detriti dalla zona dell'astina e rimuoverla – controllare il livello dell'olio. Se necessario, aggiungere olio SAE 30W non detergente. Non riempire eccessivamente. Reinstallare l'astina di livello.

Cambiare l'olio nella pompa dopo le prime 50 ore di funzionamento e successivamente ogni 500 ore di funzionamento. Con la pompa calda in conseguenza del funzionamento, rimuovere il tappo dal fondo della pompa e drenare l'olio in contenitore adatto. Rimontare il tappo. Riempire con circa 32 g / 0,9 kg di olio SAE 30W non detergente utilizzando la procedura di controllo.

### Lubrificazione della scatola del cambio

Controllare il livello dell'olio della scatola del cambio prima dell'uso. Posizionare la stasatrice su una superficie piana. Pulire eventuale sporco e detriti dalla zona dell'astina e rimuoverla – controllare il livello dell'olio. Se necessario, aggiungere olio SAE 90W. Non riempire eccessivamente. Reinstallare l'astina di livello.

Cambiare l'olio del cambio ogni 500 ore di funzionamento. Con la scatola del cambio calda in conseguenza del funzionamento, rimuovere il tappo dal fondo del cambio e drenare l'olio in contenitore adatto. Rimontare il tappo. Riempire con circa 8 oz / 0,2 kg di olio lubrificante per cambio SAE 90W utilizzando la procedura di controllo.

### Preparazione della pompa per l'immagazzinamento con temperature vicine a 32°F / 0°C

**AVVISO** Se la stasatrice sarà conservata in condizioni dove la temperatura è vicina o sotto 32°F / 0°C, essa deve essere adeguatamente preparata. Se l'acqua gela nella pompa, può danneggiarla.

Ci sono due metodi per preparare la stasatrice per l'immagazzinamento con temperature fredde. Il primo è quello di aprire tutte le valvole del sistema e di utilizzare l'aria compressa per forzare tutta l'acqua fuori dal sistema. Questo sistema può essere utilizzato anche per rimuovere l'acqua dai tubi.

Il secondo metodo utilizza l'antigelo RV (antigelo a base di glicole non-etilenico). Non usare antigelo a base di glicole etilenico nella pompa della stasatrice. Il glicole etilenico non può essere utilizzato nei sistemi di drenaggio.



1. Collegare una sezione di tubo da 3' / 90 cm alla valvola di aspirazione dell'alimentazione e aprire la valvola.
2. Mettere l'estremità del tubo nel contenitore di anti-gelo RV.
3. Rimuovere l'iniettore dall'estremità del tubo.
4. Avviare la stasatrice e farla funzionare fino quando l'antigelo esce dall'estremità del tubo.

## Accessori

### ⚠ AVVERTENZA

**Per ridurre il rischio di gravi lesioni, utilizzare esclusivamente accessori progettati espressamente e raccomandati per l'uso con le macchine stasatrici idropneumatiche RIDGID, come quelli elencati sotto. Altri accessori adatti all'uso con altri attrezzi possono diventare pericolosi se utilizzati con le macchine stasatrici idropneumatiche RIDGID.**

## Iniettori e tubi della stasatrice KJ-2200

N. del catalogo	Modello N.	Descrizione	D.I. Tubo pollici / mm	D.E. Tubo pollici / mm
64772	H-61	Iniettore a propulsione 1/8" / 3,2 mm NPT		
64777	H-62	Iniettore di penetrazione Montaggio su flessibile 1/4" / 6,4 mm		
64782	H-64	Iniettore a testina snodabile		
82842	H-65	Iniettore a rotazione 2200		
64787	H-71	Iniettore a propulsione 1/4" / 6,4 mm NPT		
64792	H-72	Iniettore di penetrazione Montaggio su flessibile 1/2" / 13 mm		
82852	H-75	Iniettore a rotazione 2200		
47592	H-1425	1/4" x 25' / 6,4 mm x 7,6 m	3/16 / 4,8	1/4 / 6,4
47597	H-1435	1/4" x 35' / 6,4 mm x 10,7 m	3/16 / 4,8	1/4 / 6,4
47602	H-1450	1/4" x 50' / 6,4 mm x 15,2 m Tubo sifone 1/4" / 6,4 mm	3/16 / 4,8	1/4 / 6,4
49272	H-1475	1/4" x 75' / 6,4 mm x 22,9 m Arancio	3/16 / 4,8	1/4 / 6,4
49277	H-1400	1/4" x 100' / 6,4 mm x 30,5 m	3/16 / 4,8	1/4 / 6,4
64732	H-1415	1/4" x 150' / 6,4 mm x 45,7 m	3/16 / 4,8	1/4 / 6,4
50002	HL-1	Tubo guida, 1/4" / 6,4 mm	1/8 / 3,2	3/16 / 4,8
50007	HL-2	Tubo guida, 1/2" / 13 mm	1/8 / 3,2	3/16 / 4,8
47607	H-1250	1/2" x 50' / 13 mm x 15,2 m	1/4 / 6,4	1/2 / 13
47612	H-1275	1/2" x 75' / 13 mm x 22,9 m	1/4 / 6,4	1/2 / 13
47617	H-1200	1/2" x 100' / 13 mm x 30,5 m	1/4 / 6,4	1/2 / 13
51587	H-1211	1/2" x 110' / 13 mm x 33,5 m Tubo idropulitrice 1/2" / 13 mm	1/4 / 6,4	1/2 / 13
49487	H-1215	1/2" x 150' / 13 mm x 45,7 m Nero	1/4 / 6,4	1/2 / 13
51597	H-1220	1/2" x 200' / 13 mm x 61 m	1/4 / 6,4	1/2 / 13

## Accessori stasatrice KJ-2200

N. del catalogo	Modello N.	Descrizione
62882	H-5	Mini rocchetto avvolgitubo (tubo non incluso)
64737	H-30	H-30 Carrello con rocchetto avvolgitubo
62877	H-30 WH	H-30 Carrello con rocchetto avvolgitubo e tubo per idropulitrice da 110' / 33,5 m x 1/2" / 13 mm
64077	HP-22	Kit di lavaggio a pressione, KJ-2200
64767	HW-22	Lancia di lavaggio, KJ-2200
51572	H-1235	Tubo della lancia di lavaggio 1/2" / 13 mm x 35' / 10,7 m
48157	FV-1	Comando a pedale
66732	HF-4	Tubo ad attacco rapido
48367	H-25	Kit resistenza alle basse temperature
47542	H-21	Utensile per la pulizia degli iniettori
67187	H-32	Jet Vac (Aspira liquidi tramite pressione)

**Iniettori e tubi della stasatrice KJ-3100**

N. del catalogo	Modello N.	Descrizione	D.I. Tubo pollici / mm	D.E. Tubo pollici / mm
38698	H-101	Iniettore a propulsione 1/8" / 3,2 mm NPT		
38713	H-102	Iniettore di penetrazione		
38703	H-104	Iniettore a testina snodabile		
38723	H-105	Iniettore a rotazione 1/8" / 3,2 mm NPT		
38693	H-111	Iniettore a propulsione 1/4" / 6,4 mm NPT		
38708	H-112	Iniettore di penetrazione su flessibile 3/8" / 9,5 mm		
38718	H-1155	Iniettore a rotazione 1/4" / 6,4 mm NPT		
16713	RR3000	Iniettore Root Ranger		
47592	H-1425	Tubo sifone 1/4" / 6,4 mm x 25' / 7,6 m	3/16 / 4,8	1/4 / 6,4
47597	H-1435	Tubo sifone 1/4" / 6,4 mm x 35' / 10,7 m	3/16 / 4,8	1/4 / 6,4
47602	H-1450	Tubo sifone 1/4" / 6,4 mm x 50' / 15,2 m	Arancio 3/16 / 4,8	1/4 / 6,4
49272	H-1475	Tubo sifone 1/4" / 6,4 mm x 75' / 22,9 m	3/16 / 4,8	1/4 / 6,4
49277	H-1400	Tubo sifone 1/4" / 6,4 mm x 100' / 30,5 m	3/16 / 4,8	1/4 / 6,4
64732	H-1415	Tubo sifone 1/4" / 6,4 mm x 150' / 45,7 m	3/16 / 4,8	1/4 / 6,4
64827	H-3835	Tubo lavaggio 3/8" / 9,5 mm ID x 35' / 10,7 m	3/8 / 9,5	5/8" / 16
64832	H-3850	Tubo idropulitrice/lavaggio 3/8" / 9,5 mm DI x 50' / 15,2 m	3/8 / 9,5	5/8" / 16
64837	H-3810	Tubo idropulitrice 3/8" / 9,5 mm DI x 100' / 30,5 m	Tubo idropulitrice 3/8" / 9,5 mm	3/8 / 9,5
64842	H-3815	Tubo idropulitrice 3/8" / 9,5 mm DI x 150' / 45,7 m	Nero 3/8 / 9,5	5/8" / 16
64847	H-3820	Tubo idropulitrice 3/8" / 9,5 mm DI x 200' / 61 m	3/8 / 9,5	5/8" / 16
64852	H-3825	Tubo idropulitrice 3/8" / 9,5 mm ID x 250' / 76,2 m	3/8 / 9,5	5/8" / 16
64857	H-3830	Tubo idropulitrice 3/8" / 9,5 mm ID x 300' / 91,4 m	3/8 / 9,5	5/8" / 16

**Accessori per stasatrice KJ-3100**

N. del catalogo	Modello N.	Descrizione
62882	H-5	Rocchetto mini tubo
64862	H-38	Rocchetto avvolgitubo (adatto a KJ-3100)
64902	H-38 WH	Rocchetto avvolgitubo con tubo da 200' / 61 m x 3/8" / 9,5 mm DI (adatto a KJ-3100)
64797	HW-30	Lancia di lavaggio, KJ-3100
48367	H-25	Kit resistenza alle basse temperature
48157	FV-1	Comando a pedale
66732	HF-4	Tubo a connessione rapida (da rocchetto a comando a pedale)
47542	H-21	Utensile per la pulizia degli iniettori
67187	H-32	Jet Vac (Aspira liquidi tramite pressione)

**Stoccaggio della macchina**

**⚠ AVVERTENZA** Immagazzinare la stasatrice in un luogo ben ventilato protetto dalla pioggia e dalla neve. Tenere la macchina in una zona chiusa a chiave, lontano dalla portata dei bambini e delle persone che non hanno familiarità con le stasatrici. Questa macchina può provocare lesioni molto gravi se adoperata da utenti inesperti. *Vedere la sezione Manutenzione per le informazioni sull'immagazzinamento in tempo freddo.* Consultare il manuale di istruzioni del motore per le informazioni specifiche sull'immagazzinamento del motore.

**Manutenzione e riparazione**

**⚠ AVVERTENZA**  
**Manutenzione o riparazioni inadeguate possono rendere non sicuro il funzionamento del dispositivo.**

Le "Istruzioni di manutenzione" coprono buona parte delle necessità di manutenzione di questa macchina. Gli eventuali problemi non coperti da questa sezione devono essere gestiti da un tecnico di un Centro di Assistenza RIDGID autorizzato.

L'utensile deve essere portato a un Centro di Assistenza RIDGID autorizzato o restituito alla fabbrica.

Per informazioni sul Centro di Assistenza Autorizzato RIDGID più vicino o qualsiasi domanda su manutenzione o riparazione:

- Contattare il proprio distributore RIDGID.
- Visitare [www.RIDGID.com](http://www.RIDGID.com) o [www.RIDGID.eu](http://www.RIDGID.eu) per trovare la sede RIDGID più vicina.
- Contattare il servizio tecnico di RIDGID inviando una e-mail all'indirizzo [rtctechservices@emerson.com](mailto:rtctechservices@emerson.com) oppure, negli Stati Uniti e in Canada, chiamare il numero (800) 519-3456.

**Smaltimento**

Alcune parti della stasatrice idropneumatica contengono materiali di valore e possono essere riciclate. Nella propria zona potrebbero esservi aziende specializzate nel riciclaggio. Smaltire i componenti in conformità con tutte le normative in vigore. Contattare l'autorità locale di gestione dello smaltimento per maggiori informazioni.



**Per i Paesi CE:** Non smaltire l'apparecchio elettrico con i rifiuti domestici!

Secondo la direttiva 2002/96/CE sullo smaltimento di apparecchiature elettriche ed elettroniche e la sua implementazione nella legislazione nazionale, le apparecchiature elettriche che non sono più utilizzabili devono essere raccolte separatamente e smaltite in modo ecocompatibile.

## Risoluzione dei problemi

PROBLEMA	CAUSA	CORREZIONE
<b>La stasatrice funziona, ma produce poca o nessuna pressione.</b>	Approvvigionamento idrico inadeguato.	Assicurarsi che il rubinetto di approvvigionamento dell'acqua sia <b>APERTO</b> . ..... Accertarsi che la valvola d'ingresso dell'approvvigionamento idrico della stasatrice sia <b>APERTA</b> . ..... Accertarsi che il tubo di approvvigionamento idrico sia privo di ostruzioni e non sia attorcigliato o compresso.
<b>La stasatrice non si porta alla pressione operativa massima all'avvio.</b>	Nel sistema è intrappolata dell'aria. ..... I propulsori dell'iniettore della stasatrice sono bloccati.	Rimuovere l'iniettore dal tubo della stasatrice e far funzionare la stasatrice per espellere aria/detriti dal sistema. ..... Rimuovere l'iniettore e pulire gli orifizi del propulsore con l'utensile per la pulizia dell'iniettore.
<b>Il manometro della stasatrice oscilla da 500 PSI / 35 bar alla pressione operativa totale.</b>	I propulsori dell'iniettore della stasatrice sono bloccati. ..... Detriti o aria intrappolati nel sistema.	Rimuovere l'iniettore. Utilizzare l'utensile per la pulizia dell'iniettore per pulire gli orifizi dell'iniettore: selezionare la dimensione corretta del filo e spingerla completamente attraverso ogni orifizio del propulsore per rimuovere i detriti. ..... Rimuovere l'iniettore e inserire il tubo del getto nella linea della condotta. Far funzionare la stasatrice per espellere l'aria o i detriti intrappolati.





# Limpadora de Jacto de Água

## Máquinas de Jacto de Água KJ-2200/KJ-3100



KJ-3100



KJ-2200

### **⚠ AVISO!**

Leia este Manual do Operador cuidadosamente antes de utilizar esta ferramenta. A não compreensão e observância do conteúdo deste manual pode resultar em choque eléctrico, fogo, e/ou lesões pessoais graves.

### Máquinas de Jacto de Água KJ-2200/KJ-3100

Registe o número de série e retenha o número de série do produto localizado na placa de nome.

N.º  
de Série

## Índice

<b>Formulário de Registo do Número de Série da Máquina .....</b>	<b>123</b>
<b>Símbolos de Segurança .....</b>	<b>125</b>
<b>Regras Gerais de Segurança .....</b>	<b>125</b>
Segurança da Área de Trabalho .....	125
Segurança Eléctrica .....	125
Segurança Pessoal .....	125
Utilização e manutenção da ferramenta .....	126
Assistência .....	126
<b>Avisos de Segurança sobre a Limpadora de Alta Pressão .....</b>	<b>126</b>
<b>Descrição, Especificações e Equipamento Standard .....</b>	<b>127</b>
Descrição .....	127
Especificações .....	128
Ícones .....	128
Equipamento Standard .....	128
<b>Montagem da máquina .....</b>	<b>128</b>
Óleo do motor.....	128
Óleo da caixa de velocidades/bomba .....	128
Carro de transporte KJ-2200 .....	129
Conjunto da pega KJ-3100 .....	129
<b>Inspecção antes da Colocação em Funcionamento .....</b>	<b>129</b>
<b>Preparação da Máquina e da Área de Trabalho .....</b>	<b>131</b>
Abastecimento de Água .....	132
Preparação da tubagem.....	132
Montagem da mangueira .....	133
TABELA DE SELECÇÃO DE MANGUEIRA DA MÁQUINA DE JACTO .....	134
TABELA DE SELECÇÃO DE BOCAL DA MÁQUINA DE JACTO .....	134
<b>Instruções de Funcionamento .....</b>	<b>135</b>
Limpeza a Jacto da Tubagem .....	137
Utilizar o modo de impulsos .....	138
Utilizar a Máquina de Jacto de Água como Limpadora a Pressão.....	138
Funcionamento da limpadora a pressão.....	139
Injector de detergente .....	139
<b>Instruções de Manutenção .....</b>	<b>139</b>
Limpeza.....	139
Motor.....	139
Lubrificação da bomba.....	139
Lubrificação da caixa de velocidades.....	140
Preparar a bomba para armazenamento em tempo frio.....	140
<b>Acessórios .....</b>	<b>140</b>
<b>Armazenamento da Máquina .....</b>	<b>141</b>
<b>Assistência Técnica e Reparação .....</b>	<b>141</b>
<b>Eliminação .....</b>	<b>141</b>
<b>Resolução de problemas.....</b>	<b>142</b>
<b>Garantia Vitalícia .....</b>	<b>Contracapa</b>

\* Tradução do manual original

## Símbolos de Segurança

Neste manual do operador e no produto são utilizados símbolos de segurança e palavras de advertência para comunicar informações de segurança importantes. Esta secção é fornecida para melhorar a compreensão das palavras e símbolos de advertência.



Este é o símbolo de alerta de segurança. É utilizado para alertar quanto a potenciais perigos de ferimentos pessoais. Respeite todas as mensagens de segurança que se seguem a este símbolo para evitar possíveis ferimentos ou morte.

### ⚠ PERIGO

PERIGO indica uma situação perigosa que, se não for evitada, resultará em morte ou ferimento grave.

### ⚠ AVISO

AVISO indica uma situação perigosa que, se não for evitada, poderá resultar em morte ou ferimento grave.

### ⚠ ATENÇÃO

ATENÇÃO indica uma situação perigosa que, se não for evitada, poderá resultar em ferimentos ligeiros a moderados.

### NOTA

NOTA indica informações relacionadas com a protecção de propriedade.



Este símbolo significa que deve ler o manual do operador cuidadosamente antes de utilizar o equipamento para reduzir o risco de ferimentos. O manual do operador contém informações importantes sobre o funcionamento seguro e adequado do equipamento.



Este símbolo significa que deve utilizar sempre óculos de protecção com protecções laterais, ou viseiras de protecção, ao manusear este equipamento, de forma a reduzir o risco de ferimentos oculares.



Este símbolo indica o risco de água a alta pressão direccionada para partes do corpo, causando ferimentos por perfuração na pele e por injeção.



Este símbolo indica o risco da mangueira da máquina entrelaçar, causando ferimentos por injeção ou pancada.



Este símbolo indica o risco de inalação de monóxido de carbono causando náuseas, desmaios ou morte.



Este símbolo indica o risco de incêndio e explosão por gasolina ou outras fontes causando queimaduras e outros ferimentos.

## Regras Gerais de Segurança

### ⚠ AVISO

**Leia atentamente todas as instruções. A não observância de todas as instruções abaixo indicadas pode resultar em choque eléctrico, incêndio e/ou lesões graves.**

### GUARDE ESTAS INSTRUÇÕES!

### Segurança da Área de Trabalho

- **Mantenha a área de trabalho limpa e bem iluminada.** A desordem ou áreas pouco iluminadas podem provocar acidentes.
- **Não opere ferramentas eléctricas em atmosferas explosivas, como na presença de líquidos, gases ou poeiras inflamáveis.** As ferramentas eléctricas criam faíscas que podem inflamar a poeira ou gás.
- **Mantenha as pessoas, crianças e visitantes afastados durante a utilização de uma ferramenta eléctrica.** As distrações podem fazê-lo perder o controlo.

### Segurança Eléctrica

- **Evite o contacto corporal com superfícies ligadas à terra, tais como canos, radiadores, fogões e frigoríficos.** O risco de choque eléctrico aumenta se o seu corpo estiver em contacto com a terra.

### Segurança Pessoal

- **Mantenha-se alerta, atento ao que está a fazer e use o bom senso quando estiver a utilizar uma ferramenta. Não utilize uma ferramenta se estiver cansado ou sob a influência de drogas, álcool ou medicamentos.** Um momento de desatenção durante a utilização de ferramentas eléctricas pode resultar em lesões pessoais graves.
- **Use vestuário adequado. Não utilize roupa larga ou jóias. Prenda o cabelo comprido. Mantenha o cabelo, roupas e luvas fora do alcance das peças móveis.** As roupas largas, as jóias ou o cabelo comprido podem ficar presos nas peças móveis.
- **Não se debruce com a ferramenta se com isso perder o equilíbrio. Mantenha uma colocação de pés adequada e o equilíbrio em todos os momentos.** O posicionamento adequado dos pés e o equilíbrio permitem-lhe controlar melhor a ferramenta em situações inesperadas.

- **Utilize equipamento de segurança. Utilize sempre protecção para os olhos.** Máscara de poeira, calçado de segurança antiderrapante, capacete de segurança ou protecção auditiva têm de ser utilizados para obter as condições ideais de modo a reduzir os ferimentos pessoais.

### Utilização e manutenção da ferramenta

- **Não force a ferramenta. Utilize a ferramenta correcta para a sua aplicação.** A ferramenta correcta fará sempre um trabalho melhor e mais seguro à velocidade para que foi concebida.
- **Não utilize a ferramenta eléctrica se o interruptor não a ligar (ON) nem desligar (OFF).** Uma ferramenta eléctrica que não possa ser controlada com o interruptor é perigosa e tem de ser reparada.
- **Guarde as ferramentas que não estão em utilização fora do alcance das crianças e de outras pessoas sem formação profissional.** As ferramentas são perigosas nas mãos de utilizadores sem formação profissional.
- **Faça uma manutenção cuidada das ferramentas. Mantenha as ferramentas de corte afiadas e limpas.** Ferramentas com manutenção adequada e bem afiadas têm menos probabilidades de prender e são mais fáceis de controlar.
- **Verifique quanto ao mau alinhamento ou bloqueio de peças móveis, danos materiais de peças e quaisquer outras condições que possam afectar o funcionamento da ferramenta. Se a ferramenta estiver danificada, envie-a para reparação antes de a utilizar.** Muitos acidentes são causados por ferramentas afectadas por má manutenção.
- **Utilize apenas os acessórios recomendados pelo fabricante para o seu modelo.** Acessórios adequados para uma ferramenta podem tornar-se perigosos quando utilizados noutra ferramenta.

### Assistência

- **A revisão/reparação de ferramentas tem de ser efectuada apenas por pessoal de reparação qualificado.** A assistência técnica ou a manutenção realizada por pessoal não qualificado pode resultar em risco de ferimentos.
- **Ao efectuar a assistência numa ferramenta, utilize apenas peças de substituição idênticas. Siga as instruções na secção de Manutenção deste manual.** A utilização de peças não autorizadas ou o incumprimento das instruções de manutenção podem criar um risco de choque eléctrico ou ferimentos.

## Avisos de Segurança sobre a Limpadora de Alta Pressão

### ⚠ AVISO

**Esta secção contém informações de segurança importantes específicas desta ferramenta.**

**Leia estas precauções cuidadosamente antes de utilizar esta Máquina de Limpeza de Tubagens para reduzir o risco de choque eléctrico e lesões pessoais graves.**

### GUARDE TODOS OS AVISOS E INSTRUÇÕES PARA REFERÊNCIA FUTURA!

Guarde este manual juntamente com a máquina, para utilização pelo operador.

- **Nunca trabalhe com a limpadora de jacto com a extremidade da mangueira fora da tubagem.** A mangueira pode ficar entrelaçada, causando ferimentos por pancada e o spray pode penetrar na pele e causar ferimentos graves.
- **A água a alta pressão pode injectar-se para baixo da pele resultando em ferimentos graves, incluindo amputação.** Não pulverize directamente para pessoas ou animais.
- **Não trabalhe com a limpadora de jacto acima da pressão nominal ou de 140°F / 60°C (temperatura da água de entrada).** Isto aumenta o risco de ferimentos, incluindo queimaduras, e de danos na limpadora de jacto.
- **A mesma pessoa tem de controlar o processo de jacto e a válvula de pedal. Utilize sempre a válvula de pedal.** Se a mangueira da limpadora de jacto sair da tubagem, o operador deve ser capaz de desligar o fluxo de água para reduzir o risco de entrelaçamento da mangueira da limpadora, causando ferimentos por pancada ou por injeção a alta pressão.
- **Utilize sempre equipamento de protecção pessoal adequado enquanto manuseia e utiliza o equipamento de limpeza de tubagens.** A tubagem pode conter substâncias químicas, bactérias e outras substâncias que podem ser tóxicas, infecciosas, causar queimaduras e outras lesões. Equipamento de protecção pessoal adequado inclui sempre óculos de protecção e luvas, e pode também incluir equipamento como luvas de látex ou borracha, viseiras protectoras, roupa de protecção, máscaras respiratórias e calçado com biqueira de aço.
- **Pratique uma boa higiene. Utilize água quente com sabão para lavar as mãos e outras partes do corpo expostas ao conteúdo da tubagem depois de manusear ou utilizar o equipamento de limpeza de tubagens.** Não coma nem fume enquanto estiver a



operar ou manusear o equipamento de limpeza de tubagens. Isto ajudará a evitar a contaminação por material tóxico ou infeccioso.

- **Não pulverize líquidos tóxicos ou inflamáveis.** Isto reduzirá o risco de queimaduras, incêndio, explosão ou outros ferimentos.
- **A gasolina e os seus vapores são altamente inflamáveis e explosivos.** Consulte o manual do motor quanto a precauções para reduzir o risco de queimaduras, explosões e ferimentos graves enquanto manuseia ou utiliza gasolina.
- **Os motores produzem monóxido de carbono, um gás incolor, inodoro e tóxico. Respirar monóxido de carbono pode causar náuseas, desmaios ou morte.** Não ligue o motor numa área fechada, mesmo se as portas e janelas estiverem abertas. Trabalhe apenas no exterior.
- **As superfícies quentes podem causar queimaduras e incêndio.** Mantenha as partes do corpo e materiais inflamáveis longe de superfícies quentes.
- **Leia e compreenda este manual, o manual do motor e os avisos e instruções para todo o equipamento utilizado com esta ferramenta antes de a utilizar.** O incumprimento de todos os avisos e instruções pode resultar em danos materiais e/ou acidentes graves.

A declaração de conformidade CE (890-011-320.10) acompanhará este manual como um folheto separado, quando necessário.

Caso tenha qualquer questão relacionada com este produto RIDGID®:

- Contacte o seu distribuidor local da RIDGID.
- Visite os sites [www.RIDGID.com](http://www.RIDGID.com) ou [www.RIDGID.eu](http://www.RIDGID.eu) para encontrar o seu ponto de contacto RIDGID local.
- Contacte o Departamento de Assistência Técnica da RIDGID através do endereço de correio electrónico [rtctechservices@emerson.com](mailto:rtctechservices@emerson.com), ou no caso dos E.U.A e Canadá, ligue para (800) 519-3456.

## Descrição, Especificações e Equipamento Standard

### Descrição

As Máquinas de Jacto de Água a Motor RIDGID® são limpadoras de jacto de água a alta pressão concebidas para uma utilização combinada de pressão e fluxo de água para eliminar gordura, depósitos, sedimentos e raízes das tubagens. Uma mangueira leve e altamente flexível alimentada através de uma tubagem pelos jactos de inversão do bocal da limpadora e, quando retirada, esfrega a linha retirando os resíduos. Com a activação de

impulsos ligada, as curvas e os sifões difíceis são trabalhados mais facilmente. Todas as máquinas estão equipadas com motor a gasolina para accionar a bomba do pistão triplex.

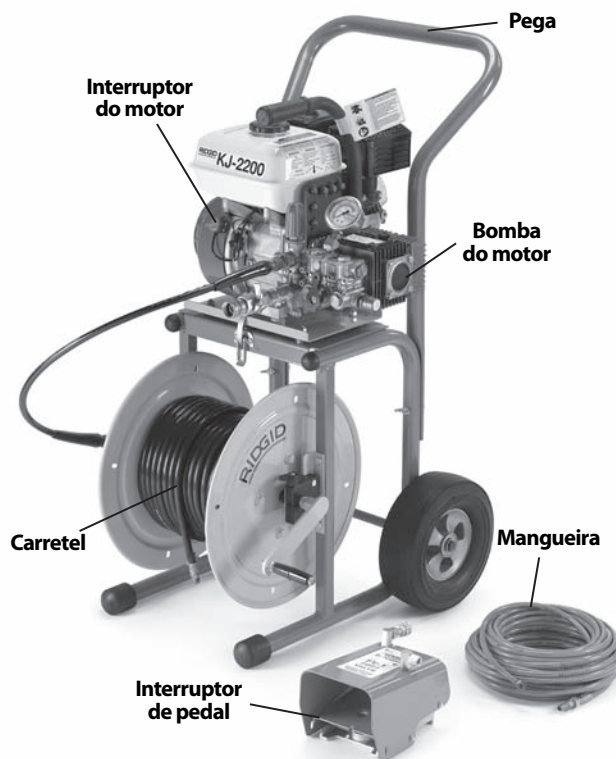


Figura 1 - Máquina de Jacto de Água KJ-2200

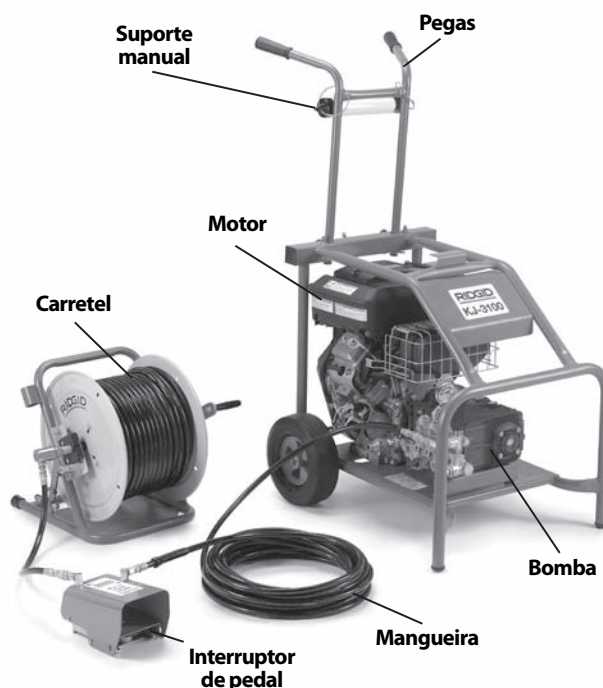


Figura 2 - Máquina de Jacto de Água KJ-3100



Figura 3 – Número de série da máquina

O número de série da máquina está localizado na estrutura. Os últimos 4 dígitos indicam o mês e o ano do fabrico. (08 = mês, 10 = ano).

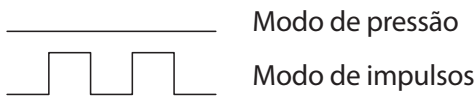
**Especificações**

Máquina de Jacto de Água Modelo	Motor H.P.	Pressão PSI / bar
KJ-2200	6.5 / 6,5	2200 / 150
KJ-3100	16	3000 / 205

Caudal GPM / litros	Capacidade da Linha de Tubagens pol. / mm	Peso (sem carretel de mangueira) lbs / kg
2.4 / 9	1 1/4 - 6 / 32 - 152	65 / 30
5.5 / 20	2 - 10 / 50 - 250	262 / 119

**Ícones**



**Equipamento Standard**

Todas as Limpadoras de Jacto vêm com:

- bocais adequados para a limpadora de jacto;
- ferramenta de limpeza do bocal;
- válvula de pedal FV-1;
- manual do operador do motor.

Consulte o catálogo RIDGID quanto a equipamento específico fornecido com cada número de catálogo.

**NOTA** Esta máquina foi desenvolvida para a limpeza de tubagens. Se for correctamente utilizada, não danificará uma tubagem que esteja em bom estado e que tenha sido devidamente projectada, construída e mantida. Se a tubagem estiver em mau estado, ou não tiver sido devidamente projectada, construída e mantida, o processo de limpeza de tubagens pode não ser eficaz

ou poderá causar danos à tubagem. A melhor forma de determinar o estado de uma tubagem antes da limpeza é através da inspecção visual com uma câmara. O uso incorrecto desta máquina de jacto pode danificar a máquina e a tubagem. Esta máquina pode não eliminar todas as obstruções.

**Montagem da máquina**

**⚠ AVISO**

**Para evitar ferimentos graves durante a utilização e evitar danos na máquina, siga estes procedimentos para uma montagem correcta.**

**Óleo do motor**

**NOTA** A máquina é entregue sem óleo no motor. Trabalhar com o motor sem óleo resultará em avaria do motor. Adicione óleo antes de utilizar. Consulte o manual do operador do motor fornecido quanto a informações específicas sobre adicionar e seleccionar óleo.

**Óleo da caixa de velocidades/bomba**

**Bomba:** Substitua o bujão no topo da bomba por uma tampa de respiradouro/vareta. Trabalhar com a limpadora com o bujão no lugar pode danificar os vedantes da bomba. Verifique o nível do óleo segundo as instruções na secção *Instruções de Manutenção*.

**Caixa de velocidades (apenas KJ-3100):** Substitua o bujão no topo da bomba por uma tampa de respiradouro/vareta. Trabalhar com a limpadora com o bujão no lugar pode danificar os vedantes da caixa de velocidades. Verifique o nível do lubrificante segundo as instruções na secção *Instruções de Manutenção*.

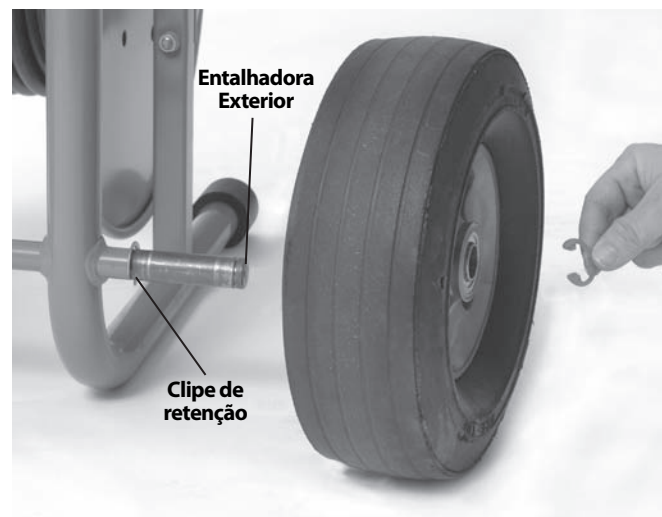


Figura 4 – Montagem do KJ-2200

### Carro de transporte KJ-2200

1. Instale o clipe de retenção na entalhadora interior em cada extremidade do eixo. (Ver Figura 4.)
2. Deslize uma roda por cima de cada extremidade do eixo.
3. Instale o clipe de retenção na entalhadora exterior em cada extremidade do eixo para fixar a roda.
4. Utilize os parafusos de pressão e as porcas de ore-lhas fornecidos para fixar a pega à estrutura.
5. Eleve o conjunto do motor/bomba por cima do carro, alinhando os orifícios na placa de base com os pinos no topo do carro. Utilize as linguetas do carro para fixar o motor/a bomba. Certifique-se de que o conjunto está bem fixo.

### Conjunto da pega KJ-3100

1. Insira a pega através dos dois orifícios na barra cruzada traseira da estrutura. (Ver Figura 5.)
2. Insira um gancho através dos orifícios na parte inferior da pega para evitar que esta saia.
3. Aparafuse os puxadores em T na barra cruzada traseira. Ajuste as pegas conforme desejado e aperte os puxadores para fixar a pega.

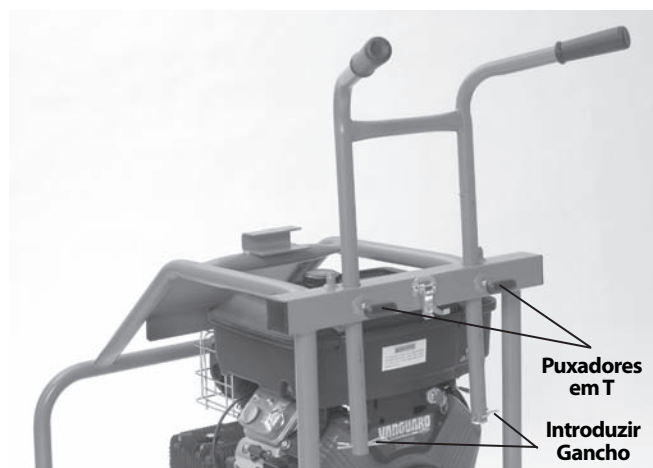
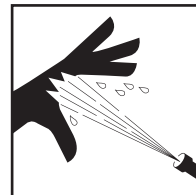


Figura 5 - Montagem da Pega KJ-3100

## Inspeção antes da Colocação em Funcionamento

### ⚠ AVISO



**Antes de cada utilização, inspecione a sua limpadora de jacto e corrija quaisquer problemas para reduzir o risco de ferimentos graves por água a alta pressão e outras causas e para evitar danos na limpadora a jacto.**

**Utilize sempre óculos e luvas de protecção e outro equipamento de protecção adequado quando inspecionar a sua máquina de jacto para se proteger contra os químicos e as bactérias do equipamento.**

1. Certifique-se de que a chave/o interruptor do motor está na posição OFF.
2. Limpe qualquer resíduo de óleo, gordura ou sujidade do equipamento, incluindo das pegas e dos controlos. Isto facilita a inspecção e ajuda a impedir que a máquina ou o controlo escorreguem da mão.
3. Inspecione a limpadora de jacto e os acessórios para verificar o seguinte:
  - montagem correcta e completa;
  - peças partidas, gastas, em falta, desalinhas, coladas ou soltas;
  - presença e legibilidade das etiquetas de aviso; (Ver Figura 6.);
  - qualquer outra condição que possa impedir o funcionamento normal e seguro.

Se detectar algum problema, não utilize a limpadora de jacto até que os problemas tenham sido corrigidos.

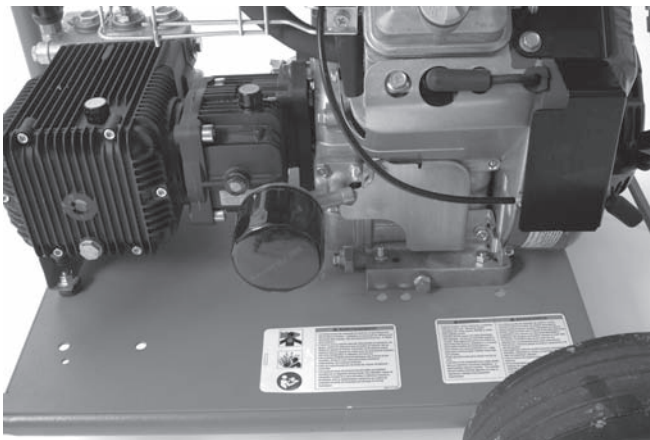


Figura 6A – Etiquetas de aviso da KJ-2200

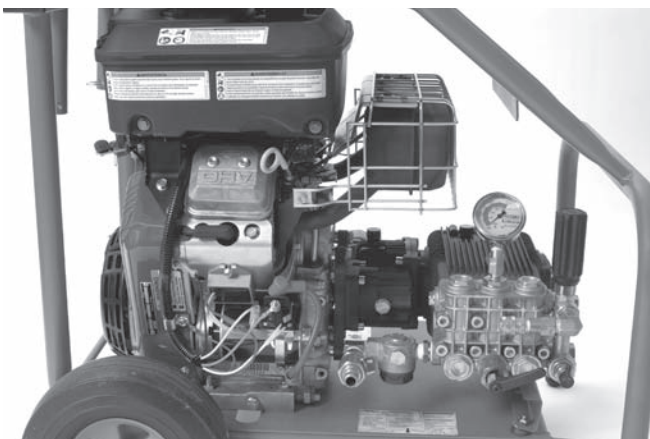




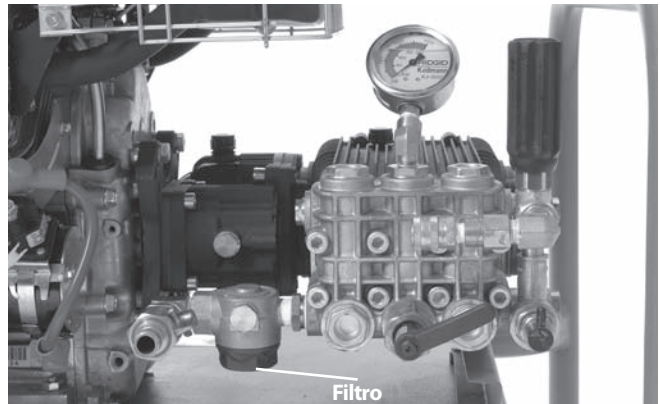
**Figura 6B – Etiquetas de aviso da KJ-2200**



**Figura 6C – Etiquetas de aviso da KJ-3100**



**Figura 6D – Etiquetas de aviso da KJ-3100**



**Figura 7 - Filtro Interno/Anilha do Filtro**

5. Inspeccione os orifícios do bocal da máquina para verificar se existem danos ou bloqueio. Os bloqueios podem ser limpos com uma ferramenta para limpar bocais. Tenha cuidado para não alargar os orifícios do bocal enquanto limpa. Bocais danificados ou com orifícios alargados podem diminuir o desempenho da máquina e devem ser substituídos.
6. Verifique se as mangueiras, os conectores e as ligações estão gastos ou danificados. Se existirem dobras, fendas, cortes ou desgaste na camisa externa da mangueira ou outros danos, não a utilize. Mangueiras danificadas podem rebentar ou deixar sair água a alta pressão e causar ferimentos graves. As mangueiras ou os encaixes de substituição devem ser de pressão igual ou superior à da máquina de jacto.
7. Inspeccione e guarde o motor de acordo com o manual do operador do motor.
8. Verifique o nível de combustível do motor. Para a KJ-3100, desligue a lingueta do carretel da mangueira e rode o carretel da mangueira para a frente até que se fixe na estrutura para dar acesso à tampa de gás do motor *Figura 8*. Se necessário, adicione gasolina sem chumbo. Consulte o manual do operador do motor para detalhes. Tenha cuidado ao manusear gasolina. Abasteça novamente numa área bem ventilada. Não encha demasiado o depósito de combustível e não derrame combustível. Certifique-se de que a tampa do depósito está fechada correctamente.

4. Limpe a anilha do filtro/do filtro de água interior. Desaperte a tampa do fundo do filtro de entrada para limpar. A sujidade e os resíduos podem limitar o fluxo de água para a bomba e causar problemas de desempenho.





Figura 8 - Acesso ao Depósito de Combustível KJ-3100

9. Verifique o nível do óleo na bomba e na caixa de velocidades (se equipada) e adicione óleo, se necessário (consulte a secção *Instruções de Manutenção*).

## Preparação da Máquina e da Área de Trabalho

### ⚠ AVISO



**Utilize sempre óculos e luvas de protecção e outro equipamento de protecção adequado quando inspeccionar a sua máquina de jacto para se proteger contra os químicos e as bactérias do equipamento. Sapatos com solas de borracha e anti-derrapantes podem evitar que escorregue em superfícies molhadas.**

**Os motores produzem monóxido de carbono, um gás incolor, inodoro e tóxico. Respirar monóxido de carbono pode causar náuseas, desmaios ou morte. Não ligue o motor numa área fechada, mesmo se as portas e janelas estiverem abertas. Trabalhe apenas no exterior.**

**Prepare a máquina de jacto e a área de trabalho de acordo com estes procedimentos para reduzir o risco de ferimentos por água a alta pressão, queima-**

**das químicas, infecções, monóxido de carbono e outras causas, e para evitar danos na máquina.**

1. Verifique a área de trabalho quanto a:
  - Iluminação adequada.
  - Líquidos inflamáveis, gases ou poeira que possam inflamar-se. Se estes estiverem presentes, não trabalhe nessa área até que as fontes dos mesmos estejam identificadas e corrigidas. A máquina não é à prova de explosão e pode causar faíscas.
  - Espaço limpo, nivelado, estável e seco para a máquina e o operador. Se necessário, retire a água da área de trabalho. Madeira ou outros revestimentos podem precisar de ser retirados.
  - Localização da máquina numa área exterior bem ventilada. Não coloque a máquina numa área fechada, mesmo com portas e janelas abertas. A máquina pode ser colocada remotamente a partir do ponto de utilização.
  - Fornecimento de água adequado.
  - Caminho livre para transportar a máquina para o local de instalação.
2. Inspeccione a tubagem que vai ser limpa. Se possível, determine o(s) ponto(s) de acesso à tubagem, o(s) tamanho(s) e o(s) comprimento(s) da mesma, a distância até aos depósitos ou às linhas principais, a natureza do bloqueio, a presença de produtos químicos de limpeza de tubagens ou outros produtos químicos, etc. Se estiverem presentes produtos químicos na tubagem, é importante perceber as medidas de segurança específicas necessárias para trabalhar num contexto com esses produtos químicos. Contacte o fabricante das substâncias químicas para obter as informações necessárias.
 

Se necessário, remova sanitários (sanitas, etc.) para possibilitar o acesso à tubagem. Não alimente a mangueira através de sanitários. Isto pode danificar a mangueira e o sanitário.
3. Determine o equipamento correcto para a aplicação. Consulte a secção *Especificações* quanto a informações sobre estas máquinas de jacto. Pode encontrar máquinas de jacto e produtos de limpeza de tubagens para outras aplicações consultando o Catálogo da RIDGID, disponível online em [www.RIDGID.com](http://www.RIDGID.com) ou [www.RIDGID.eu](http://www.RIDGID.eu).
4. Assegure-se de que todo o equipamento foi inspecionado correctamente.
5. Avalie a área de trabalho e determine se é necessário colocar barreiras para manter os transeuntes afastados. Os transeuntes podem distrair o operador. Se estiver a trabalhar perto de trânsito, coloque alguns cones ou outras barreiras para alertar os condutores.

6. Se for necessário, coloque coberturas de protecção na área de trabalho. O processo de limpeza de tubagens pode causar sujidade.
7. Leve a máquina de jacto para a área de trabalho no exterior bem ventilada através do caminho livre. Se a máquina precisar de ser elevada, utilize técnicas de elevação adequadas. Tenha cuidado ao mover o equipamento escada acima e escada abaixo e tenha em conta a possibilidade de perigos de escorregar. Use calçado adequado para ajudar a evitar que escorregue.

### Abastecimento de Água

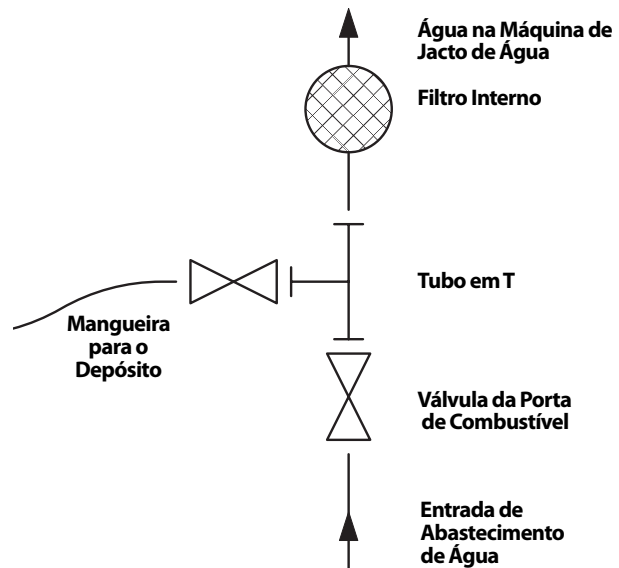
Confirme se existe fluxo de água suficiente para a máquina. Ligue uma mangueira da fonte de água até à máquina. Utilize a mangueira com maior diâmetro e menor comprimento possível. Uma mangueira com 3/4" / 19 mm é o tamanho mínimo recomendado. Deve utilizar-se um aparelho de prevenção de refluxo adequado para estar em conformidade com todos os códigos e regulamentos locais. Ligue a água na fonte e verifique o tempo que demora a encher um balde de água limpo de 5 gal. / 18,9 litros. *Consulte a tabela que se segue para os tempos de enchimento de baldes máximos para cada limpadora.*

Máquina de Jacto de Água	Valor nominal GPM / litros	Tempo Máximo de Enchimento de Baldes de 5 gal. / 18,9 litros
KJ-2200	2.4 / 9	125 segundos
KJ-3100	5.5 / 20	55 segundos

Um fluxo de água insuficiente evitará que a máquina atinja a pressão indicada e pode danificar a bomba. Verifique a água no balde relativamente a sujidade e resíduos. A sujidade e os resíduos no abastecimento de água pode causar um desgaste excessivo da bomba, entupir os bocais dos filtros da máquina e reduzir o desempenho. Não utilize água de tanques, lagos ou outras fontes que possam estar contaminadas.

Caso exista um fluxo de água insuficiente, as soluções possíveis incluem a utilização de ligações para permitir um abastecimento com várias mangueiras ligadas à máquina ou a utilização de um depósito.

Se se utilizar um depósito, ligue um tubo em T com válvulas de portas completas à entrada de água da máquina conforme mostrado na *Figura 9*. Ligue uma mangueira de 3/4" / 19 mm com, no máximo, 6' / 1,8 m de comprimento à válvula na saída do tubo em T e ligue o abastecimento de água ao percurso do tubo em T. Coloque a extremidade da mangueira no depósito ou ligue à saída do depósito. O total do comprimento da mangueira do depósito deve estar 5" / 12,7 cm acima da entrada de água da máquina, senão esta não retirará água do depósito.



**Figura 9 - Ligações de Abastecimento de Água quando Utilizar um Depósito**

Encha o depósito antes de ligar a máquina. Quando ligar a máquina, desligue a válvula do depósito. Assim que ligar a máquina, abra a válvula do depósito. Controle o nível de água do depósito e, se necessário, desligue o jacto de água para deixar que o depósito volte a encher. Não deixe o nível da água descer abaixo da extremidade da mangueira.

Pode utilizar-se água quente para melhorar a limpeza. Não utilize água acima dos 140°F / 60°C - pode causar uma sobrecarga térmica na bomba, abrindo-a. Quando utilizar água quente, utilize equipamento de protecção pessoal adequado para reduzir o risco de queimaduras.

Quando utilizar em tempo frio, utilize precauções para evitar que a água congele na bomba. Isto pode causar danos na bomba.

Certifique-se de que a válvula de abastecimento de entrada na máquina está fechada e ligue a mangueira de abastecimento à máquina.

### Preparação da tubagem

Se estiver a trabalhar através de uma porta de inspecção, bueiro ou outro acesso grande, utilize tubagens e ligações para criar uma guia para a mangueira da máquina a partir da abertura da tubagem até ao ponto de funcionamento. Isto evitará que a mangueira da máquina fique entrelaçada nos acessos e protegerá a mangueira contra danos.



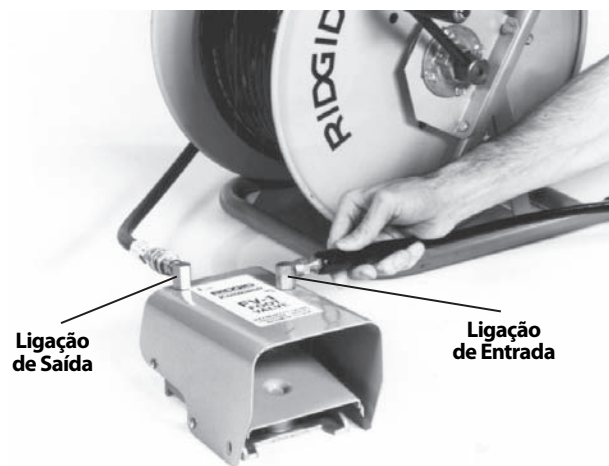
**Figura 10 – Estender a Abertura da Tubagem até ao Ponto de Funcionamento**

### Montagem da mangueira

Tenha cuidado quando direccionar as mangueiras da máquina. Direccionar mangueiras por cima de superfícies duras, arestas vivas, cruzar mangueiras, etc., pode danificar a camisa da mangueira, especialmente quando a máquina é utilizada no modo de impulsos. Manter a mangueira da máquina no carretel ajudará a minimizar os danos na mangueira.

1. Selecione um tamanho de mangueira para a máquina adequado à limpeza da tubagem. Normalmente não se recomenda a ligação de duas mangueiras à máquina ao mesmo tempo para limpar tubagens. A ligação entre as duas mangueiras é menos flexível e pode evitar a passagem pelas ligações. Consulte a *Tabela de Selecção de Mangueiras para a Máquina*.
2. Conforme necessário, separe o carretel da mangueira do conjunto motor/bomba. Coloque o carretel da mangueira a 3' / 90 cm da abertura da tubagem. Não deixe quantidade excessivas de mangueira fora da tubagem para evitar danos na mangueira. Se o carretel da mangueira não puder ser colocado a 3' / 90 cm da abertura da tubagem, estenda a abertura da tubagem até ao carretel da mangueira com tubos e ligações de tamanho equivalente.
3. Encaminhe a mangueira desde a máquina até à ligação IN da válvula de pedal. Utilize fita teflon para vedar a ligação. Posicione a válvula de pedal para um acesso mais fácil. Deve ser capaz de controlar a mangueira da máquina e a válvula de pedal.

4. Ligue a mangueira desde o carretel até à ligação OUT da válvula de pedal.

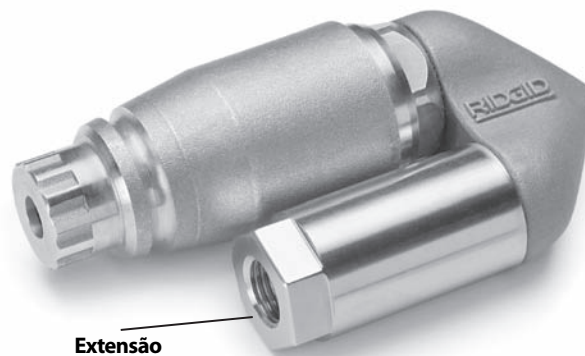


**Figura 11 – Ligação da Válvula de Pedal**

5. Marque a mangueira da máquina próximo da extremidade para indicar quando o bocal está a aproximar-se da abertura da tubagem quando retirado. Isto ajudará a evitar que o bocal saia da tubagem e fique entrelaçado. A distância depende da configuração da tubagem, mas deve ser de, pelo menos, 4' / 1,2 m.
6. Retire o bocal da extremidade da mangueira da máquina e coloque a extremidade da mangueira na tubagem. Abra a válvula de abastecimento de entrada para purgar o ar e quaisquer resíduos presentes na máquina e nas mangueiras. Deixe a água correr durante, pelo menos 2 minutos.
7. Feche a válvula de abastecimento de entrada.
8. Selecione um bocal. Utilize bocais com tamanhos específicos para a máquina a utilizar. Utilizar bocais incorrectos pode provocar um mau desempenho (baixa pressão de funcionamento ou fluxo baixo) ou pode danificar a máquina com pressões demasiado altas. Certifique-se de que os orifícios dos bocais estão limpos e livres. Consulte a *Tabela de Selecção de Mangueiras para a Máquina*.

Se estiver a utilizar o bocal RR3000 para tubagens com dimensões superiores a 6" / 152 mm e até 9" / 229 mm, deve utilizar-se a extensão. Para tubagem com 6" / 152 mm ou menos, não é necessária extensão. Se necessário, aperte à mão firmemente a extensão ao RR3000 - não aperte demasiado. Utilizar o bocal RR3000 numa linha entre 6" / 152 mm e 9" / 229 mm sem uma extensão, ou em linhas superiores a 9" / 229 mm pode permitir ao bocal mudar de direcção na tubagem, sair em direcção ao utilizador e causar ferimentos graves (*Figura 12*).

9. Aperte à mão firmemente o bocal na extremidade da mangueira - não aperte demasiado. Apertar demasiado o bocal pode danificá-lo e provocar um fraco desempenho.
10. Insira a mangueira com o bocal fixo na tubagem e abra a válvula de abastecimento de entrada. Confirme que a água corre livremente pelo bocal e feche a válvula de abastecimento de entrada.


**Figura 12 – RR3000 Bocal com Extensão**
**TABELA DE SELECÇÃO DE MANGUEIRA DA MÁQUINA DE JACTO**

Aplicações		Dimensão do Tubo pol. / mm	Dimensão do Bocal pol. / mm	Dimensões da Mangueira (DI) pol. / mm	Dimensões da Mangueira (DE) pol. / mm
KJ-2200	Lavatórios, urinóis e pequenas linhas de casa de banho.	1 1/4 - 2 / 32 - 50	NPT 1/8 / 3,2	1/8 / 3,2	3/16 / 4,8
	Lavatórios, tubos de lavandaria e chaminés, sifões e ventilações de cozinha.	2 - 3 / 50 - 76	NPT 1/8 / 3,2	3/16 / 4,8	1/4 / 6,4
	Tubagens de chão e chuveiro, linhas laterais e sifões de massa lubrificante.	3 - 4 / 76 - 101	NPT 1/4 / 6,4	1/4 / 6,4	1/2 / 13
	Linhas principais e laterais.	4 - 6 / 101 - 152	NPT 1/4 / 6,4	1/4 / 6,4	1/2 / 13
KJ-3100	Chaminés, sifões e ventilações.	2 - 3 / 50 - 76	NPT 1/8 / 3,2	3/16 / 4,8	1/4 / 6,4
	Tubagens de chão, linhas laterais e sifões de massa lubrificante.	3 - 4 / 76 - 101	NPT 1/4 / 6,4	3/8 / 9,5	5/8 / 16
	Linhas principais e laterais.	4 - 10 / 101 - 250	NPT 1/4 / 6,4	3/8 / 9,5	5/8 / 16

**TABELA DE SELECÇÃO DE BOCAL DA MÁQUINA DE JACTO**

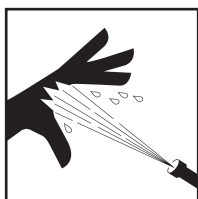
KJ-2200	Dimensão do fio, pol. / mm	NPT 1/8 / 3,2	NPT 1/4 / 6,4
	Dimensões da Mangueira (Diâmetro Interno), pol. / mm	1/8 & 3/16 / 3,2 & 4,8	1/4 / 6,4
	Dimensões da Mangueira (Diâmetro Externo), pol. / mm	3/16 & 1/4 / 4,8 & 6,4	1/2 / 13
	Caracteriza-se pelos seus três impulsos de jacto de inversão para propulsão máxima do jacto a uma longa distância. Utilize este bocal na maioria das aplicações.	<b>H-61</b>	<b>H-71</b>
	Utiliza três impulsos de jacto de inversão mais um jacto apontado para a frente para penetrar em gordura sólida ou bloqueios de depósitos. O jacto para a frente abre um pequeno orifício no bloqueio para o bocal passar. É também muito eficaz a projectar jactos contra bloqueios de gelo.	<b>H-62</b>	<b>H-72</b>
	Utilize o bocal de limpeza para ajudá-lo a trabalhar em curvas difíceis. Este bocal tem três impulsos de jacto de inversão.	<b>H-64</b>	
	Utilize o bocal de espiral para limpar gordura e bloqueios semelhantes da tubagem.	<b>H-65</b>	<b>H-75</b>



	Dimensão do fio, pol. / mm	NPT 1/8 / 3,2	NPT 1/4 / 6,4
	<b>Dimensões da Mangueira (Diâmetro Interno), pol. / mm</b>	3/16 / 4,8	3/8 / 9,5
	<b>Dimensões da Mangueira (Diâmetro Externo), pol. / mm</b>	1/4 / 6,4	5/8 / 16
KJ-3100	Caracteriza-se pelos seus quatro (4) cilindros de jacto de inversão para propulsão máxima do jacto a uma longa distância. Utilize este bocal na maioria das aplicações.	<b>H-101</b>	<b>H-111</b>
	Utiliza três cilindros de jacto de inversão mais um jacto apontado para a frente para penetrar em gordura sólida ou bloqueios de depósitos. O jacto para a frente abre um pequeno orifício no bloqueio para o bocal passar. É também muito eficaz a projectar jactos contra bloqueios de gelo.	<b>H-102</b>	<b>H-112</b>
	Utilize o bocal de limpeza para ajudá-lo a trabalhar em curvas difíceis. Este bocal tem quatro (4) cilindros de jacto de inversão.	<b>H-104</b>	
	Utilize o bocal de espiral para ajudar a limpar gordura e bloqueios semelhantes da tubagem.	<b>H-105</b>	<b>H-115</b>
	Utilize para limpar raízes e outros tipos de bloqueios. NOTA! Utilize a extensão para estabilizar o RR3000 quando limpar tubagens com diâmetro de 8" / 200 mm		<b>RR3000</b>

## Instruções de Funcionamento

### ▲ AVISO



Use sempre protecção ocular para proteger os seus olhos contra sujidade e outros objectos estranhos. Use sempre equipamento de protecção pessoal adequado ao ambiente de trabalho.

Nunca trabalhe com a limpadora de jacto com a extremidade da mangueira fora da tubagem. A mangueira pode ficar entrelaçada, causando ferimentos por pancada e o spray pode penetrar na pele e causar ferimentos graves.

A água de alta pressão pode injectar-se para baixo da pele resultando em ferimentos graves, incluindo amputação. Não pulverize directamente para pessoas ou animais.

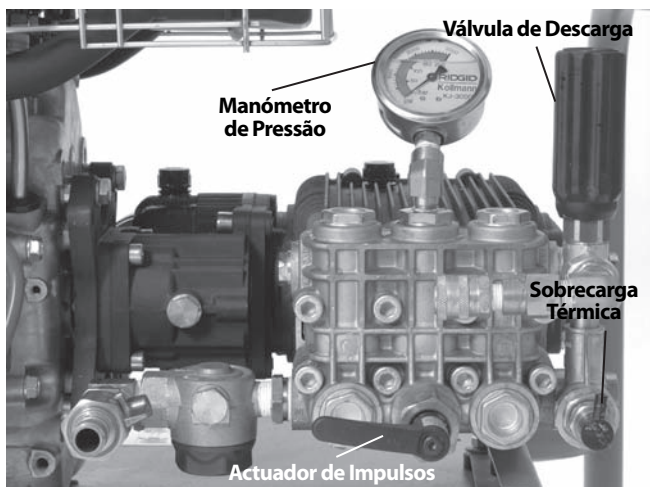
Não trabalhe com a limpadora acima da pressão nominal de 140°F / 60°C (temperatura da água de entrada). Isto aumenta o risco de choque eléctrico, incluindo queimaduras, e de danos na limpadora.

A mesma pessoa tem de controlar o processo de jacto e a válvula de pedal. Utilize sempre a válvula de pedal. Se a mangueira da limpadora sair da tubagem, o operador deve ser capaz de desligar o fluxo de água para reduzir o risco de entrelaçamento da mangueira da limpadora, causando ferimentos por pancada ou injeção de alta pressão.

Utilize sempre equipamento de protecção pessoal adequado enquanto manuseia e utiliza o equipamento de limpeza de tubagens. A tubagem pode conter substâncias químicas, bactérias e outras substâncias que podem ser tóxicas, infecciosas, causar queimaduras e outras lesões. Equipamento de protecção pessoal adequado inclui sempre óculos de protecção e luvas, e pode também incluir equipamento como luvas de látex ou borracha, viseiras protectoras, roupa de protecção, máscaras respiratórias e calçado com biqueira de aço.

Respeite as instruções de operação para reduzir o risco de ferimentos por entrelaçamento de mangueiras, injeção de líquidos, monóxido de carbono e outras causas.

1. Assegure-se de que a máquina e a área de trabalho foram preparadas adequadamente e de que a área de trabalho está livre de pessoas e outras distrações. Se a máquina estiver localizada remotamente em relação ao ponto de utilização, outra pessoa deve estar posicionada na máquina.
2. Insira a mangueira com o bocal fixo na tubagem a, pelo menos, 3' / 90 cm para que a extremidade da mangueira não saia da tubagem e se entrelace quando a máquina é ligada.
3. Confirme que a alavanca do actuador de impulsos é rodado para a esquerda para a posição "Pressure" (Pressão) (Figura 16).
4. Abra a válvula de abastecimento de entrada. Nunca ligue o motor sem o abastecimento de água ligado (ON). Isto pode causar danos na bomba.
5. Pressione a válvula de pedal para reduzir a pressão e permitir que o motor ligue. Confirme que a água corre livremente pelo bocal. Seguindo as instruções de arranque fornecidas no manual do motor, ligue o motor. Deixe o motor aquecer.



**Figura 13 – Controlos**

6. Rode a válvula de descarga enquanto controla o manómetro de pressão para ajustar a pressão conforme desejado (para a direita para aumentar a pressão, para a esquerda para diminuir a pressão). Não ultrapasse a pressão nominal da máquina em utilização. Não force a válvula de descarga nem utilize chaves de fendas ou ferramentas para rodar. Isto danificará a válvula de descarga.

Máquina de Jacto de Água	Pressão nominal, PSI/bar
KJ-2200	2200 / 150
KJ-3100	3000 / 205

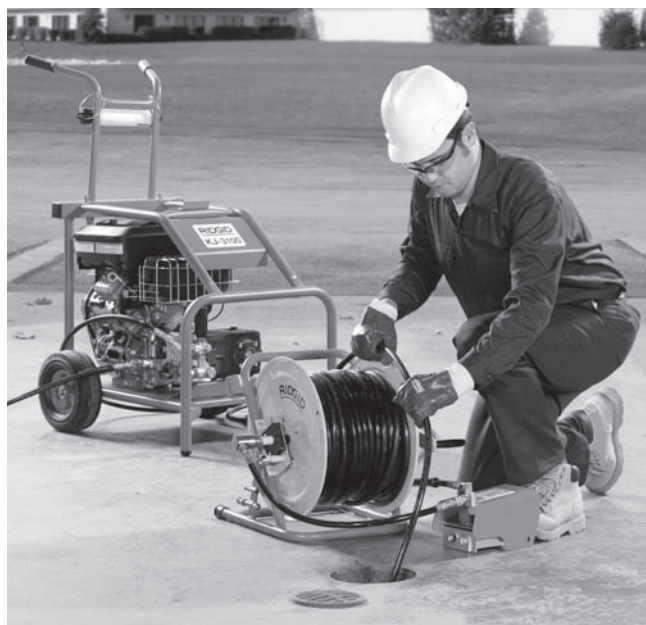
Se a máquina não criar a pressão nominal ou estiver com anomalia:

- Certifique-se de que a borboleta do motor está bem ajustada.
- Certifique-se de que a válvula de abastecimento de entrada está totalmente aberta e que as outras válvulas no sistema de abastecimento estão totalmente abertas.
- Rode a válvula de descarga para a direita para aumentar a pressão. Não force.
- Certifique-se de que o actuador de impulsos está na posição "Pressure" (Pressão).
- Desloque ciclicamente e várias vezes o actuador de impulsos entre a posição "Pressure" (Pressão) e "Pulse" (Impulsos) enquanto a unidade está a trabalhar para limpar qualquer ar preso do sistema.
- Verifique o sistema relativamente a fugas. Tenha cuidado durante a verificação para evitar ferimentos. Se encontrar fugas, desligue a máquina antes de reparar.

- Desligue a máquina de jacto. Verifique o filtro de entrada/a anilha do filtro e certifique-se de que não têm resíduos.
  - Certifique-se de que existe um fluxo de água adequado na máquina.
  - Desligue a máquina e a válvula de abastecimento de entrada. Remova o bocal e limpe os orifícios com a ferramenta de limpeza de bocais.
  - Trabalhe com a máquina sem o bocal na mangueira para remover ar ou resíduos do sistema. Desligue a máquina antes de remover ou encaixar o bocal.
7. Assuma uma posição de operação correcta.

- Certifique-se de que consegue controlar a acção LIGAR/DESLIGAR da válvula de pedal. Não pressione ainda a válvula de pedal.
- Certifique-se de que tem um bom equilíbrio e que não se debruça.
- Deve conseguir sempre colocar uma mão na mangueira da máquina para controlar e apoiar a mangueira.
- Deve conseguir chegar ao carretel para recolher a mangueira.

Esta posição de funcionamento ajudará a manter o controlo da mangueira da máquina.



**Figura 14 – Posição de Funcionamento Adequada**

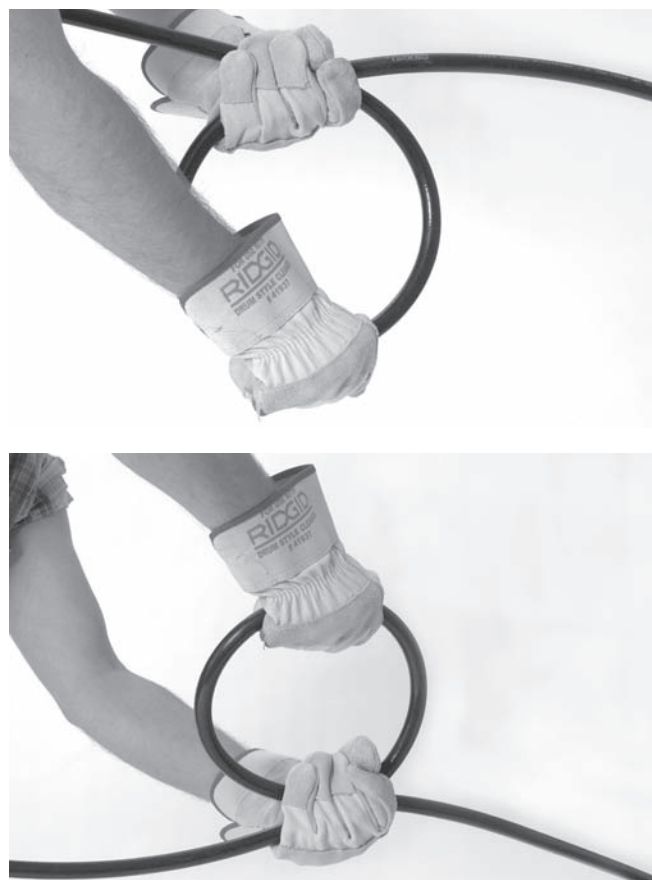
### Limpeza a Jacto da Tubagem

Quando limpar uma tubagem com jacto, normalmente a mangueira é colocada totalmente dentro da tubagem a limpar e retirada lentamente. Isto permite que a água a alta pressão direccionada para as paredes da tubagem remova incrustações.

Liberte o pino de bloqueio do carretel da mangueira. Com, pelo menos, 90 cm na tubagem e uma mão na mangueira para controlar o seu movimento, pressione a válvula de pedal. Os cilindros de jacto de inversão no bocal ajudarão a empurrar a mangueira para a tubagem. Insira a mangueira tanto quanto necessário para limpar. Se a mangueira parar, encontrou algum tipo de obstrução.

Se o bocal não passar por uma obstrução, como uma mudança de direcção (sifão, curva, etc.) ou um bloqueio.

- Utilize cilindros afiados na mangueira.
- Rode a mangueira um quarto de volta para a direita para definir a mangueira para a mudança de direcção (se a mangueira for rodada, quando passar a obstrução, rode novamente a mangueira para ajudar a prevenir dobras) Ver Figura 15.
- Utilize o modo de impulsos. □□□ (consulte a secção seguinte).
- Utilize uma mangueira com sifão ou uma mangueira de diâmetro inferior.



**Figura 15 – Rodar a Mangueira**

Quando passar o bloqueio, leve algum tempo para limpar essa secção da tubagem antes de continuar. Mova alguns centímetros para além da área da obstrução e puxe lentamente o bocal novamente pela área de obstrução. Faça isto várias vezes e, em seguida, continue a avançar pela tubagem.

Verifique o nível de água da tubagem. Se o nível de água estiver demasiado elevado, pode ter de desligar a máquina e deixar a água sair antes de continuar. Limpar quando a linha está cheia de água é menos eficaz do que quando a linha está vazia. Não deixe a máquina a trabalhar durante períodos de tempo muito longos com a válvula de pedal desligada. Quando a válvula de pedal está desligada, a água volta a circular na bomba e faz com que a água aqueça. Isto pode causar uma sobrecarga térmica na bomba, abrindo-a.

Quando o bocal está à distância desejada na tubagem, puxe lentamente (1' / 30 cm por minuto para acumulações grandes na tubagem) o bocal novamente pela tubagem. Utilize uma mão para controlar a mangueira e a outra para enrolar a mangueira no carretel. Verifique se, à medida que o bocal se aproxima da abertura da tubagem, o bocal não sai da tubagem enquanto a água está a correr. Isto pode permitir que a tubagem fique



entrelaçada e causar ferimentos por água a alta pressão e por pancada. Controle sempre a mangueira. Procure a marcação na mangueira próxima do bocal. Liberte a válvula de pedal para desligar o fluxo de água.

Desligue o motor conforme indicado no manual do motor e pressione a válvula de pedal para libertar a pressão do sistema. Nunca deixe o sistema pressurizado. Se for necessário, mude o bocal e continue a limpeza seguindo o processo descrito acima. Recomenda-se efectuar várias passagens pela tubagem para uma limpeza completa.

Quando terminar, com a máquina desligada, remova o bocal e abra a válvula de abastecimento de entrada para retirar a bomba e a mangueira. Se utilizar a máquina em condições ambientais frias, drene imediatamente a água do sistema para ajudar a evitar danos por congelamento. Consulte *Armazenamento da Máquina* para informações sobre protecção contra congelamento.

### Utilizar o modo de impulsos

Quando manusear a mangueira não for o suficiente para passar por uma mudança de direcção ou obstrução, deve usar-se o modo de impulsos. O modo de impulsos inclui uma grande variação na pressão da água que faz com que a mangueira vibre, facilitando o avanço da mangueira.

1. Rode a alavanca do actuador de impulsos para a direita para a posição "Pulse" (Impulsos). No modo de Impulsos, o manómetro de pressão exibirá menos do que a pressão total. Isto é normal.

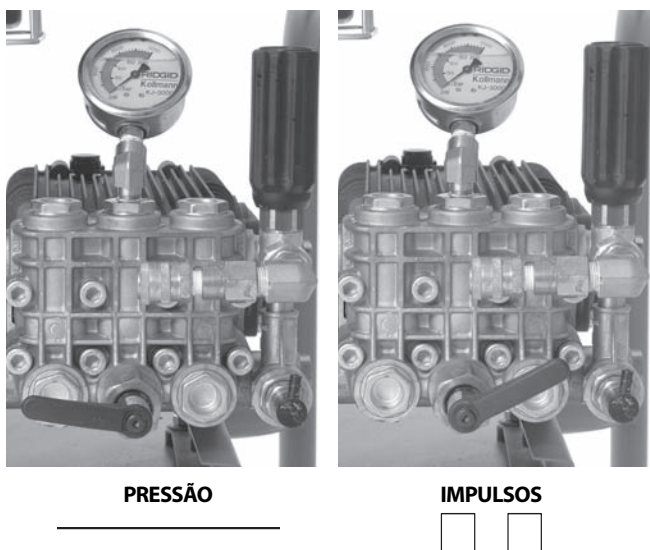


Figura 16 – Posição da Alavanca do Actuador de Impulsos

2. Se necessário, utilize cilindros afiados e a rotação da mangueira para ajudar o bocal a passar pela obstrução.
3. Quando passar a obstrução, rode a alavanca do actuador de impulsos para a esquerda para a posição "Pressure" (Pressão). Não deixe a máquina no modo de im-

pulsos durante mais tempo do que o necessário para passar por uma obstrução. Uma utilização excessiva da opção de impulsos pode causar desgaste prematuro nas mangueiras e no sistema.

### Utilizar a Máquina de Jacto de Água como Limpadora a Pressão

As máquinas de jacto de água da RIDGID também podem ser utilizadas como limpadoras a pressão adicionando o pacote de lavagem a pressão. Utilizar como limpadora a pressão é semelhante a utilizar como jacto de água e essas instruções devem ser utilizadas em conjunto com o que se segue.

1. Escolha uma área de trabalho adequada.
2. Assegure-se de que todo o equipamento foi inspecionado correctamente.
3. Fixe a varinha na mangueira da varinha. Utilize sempre a mangueira com uma pressão nominal pelo menos igual à pressão da máquina. Utilize um vedante roscado para evitar fugas.
4. Fixe a mangueira à saída da máquina. Certifique-se de que as extremidades da mangueira estão bem fixas para evitar que saiam sob pressão.
5. Ligue um abastecimento de água adequado, conforme indicado anteriormente, à máquina.
6. Abra a válvula de abastecimento de água e aperte o gatilho da varinha para permitir um fluxo de água e para purgar qualquer ar do sistema. Nunca ligue o motor sem o abastecimento de água ligado (ON). Isto pode causar danos na bomba.
7. Certifique-se de que a alavanca do actuador de impulsos é rodado para a esquerda para a posição "Pressure" (Pressão).
8. Ajustes no Bocal da Varinha - Rodando o bocal, o padrão de lavagem pode ser ajustado desde um fluxo fino até uma pulverização tipo ventoinha. Puxando o bocal para a frente (baixa pressão) e para trás (alta pressão), pode ajustar-se a pressão. Certifique-se de que o bocal é puxado novamente para a posição de alta pressão para iniciar a utilização.



Figura 17 – Ajustes do Bocal da Varinha

9. Bloqueio da Varinha - a varinha inclui um bloqueio na parte traseira do gatilho. Vire o bloqueio para bai-



xo para evitar o funcionamento do gatilho quando a varinha não está a ser utilizada.

10. Com a varinha apontada para uma direcção segura, aperte o gatilho da varinha para reduzir a pressão e permitir que o motor arranque. Seguindo as instruções de arranque fornecidas no manual do motor, ligue o motor. Deixe o motor aquecer. Liberte o gatilho assim que o motor ligar.
11. Com a varinha apontada para uma direcção segura, aperte o gatilho da varinha. Rode a válvula de descarga enquanto controla o manómetro de pressão para ajustar a pressão conforme desejado. Não ultrapasse a pressão nominal da máquina. Liberte o gatilho da varinha.

### Funcionamento da limpadora a pressão

1. Quando utilizar como limpadora a pressão, use ambas as mãos para segurar e direccionar a varinha para um maior controlo. Nunca direcione a varinha para pessoas. A água a alta pressão pode injectar-se para baixo da pele resultando em ferimentos graves. Nunca direcione a varinha para equipamentos eléctricos ou cabos para reduzir o risco de choque eléctrico.
2. Controle o fluxo de água com o gatilho. Tenha cuidado ao utilizar a limpadora a pressão. Segurar o bocal demasiado perto de uma superfície pode danificá-la. Teste numa área pequena e discreta para confirmar se as definições funcionam como desejado.
3. Não deixe a máquina a trabalhar durante períodos de tempo muito longos com o gatilho desligado. Quando o gatilho está desligado, a água volta a circular na bomba e faz com que a água aqueça. Isto pode causar uma sobrecarga térmica na bomba, abrindo-a.
4. Quando a lavagem a pressão estiver concluída, liberte o gatilho e desligue o motor conforme indicado no manual do motor. Aperte o gatilho para libertar pressão do sistema. Nunca deixe o sistema pressurizado.

### Injector de detergente

1. Se necessário, fixe um injector de detergente na porta de saída. Retire a mangueira de saída e fixe o injector de detergente com a seta da unidade virada para a mesma direcção do fluxo de água. Utilize um vedante roscado para evitar fugas. Volte a fixar a mangueira de saída.
2. Fixe uma mangueira com sifão ao injector de detergente. Coloque a extremidade do filtro da mangueira no recipiente do detergente. Utilize apenas detergentes concebidos para serem utilizados com limpadoras a pressão. Sigas as instruções do detergente. Não pulverize líquidos inflamáveis ou químicos tóxicos. Outros detergentes, solventes, produtos

de limpeza, etc., podem danificar a máquina ou causar ferimentos graves.

3. Quando lavar a pressão, os detergentes são dispensados apenas quando o bocal da varinha está na posição de baixa pressão. Puxe o bocal para a frente para a posição de baixa pressão para dispensar detergente.
4. Durante o funcionamento, a taxa de aplicação do detergente pode ser ajustada rodando a manga no injector de detergente. Para a esquerda aumenta a quantidade de detergente, para a direita diminui.
5. Quando a aplicação do detergente estiver concluída, retire o filtro do detergente, coloque num balde com água limpa e limpe o sistema de todo o detergente.

### Instruções de Manutenção

#### ⚠ AVISO

**Antes de realizar qualquer manutenção, o interruptor do motor deve estar na posição OFF (desligado) e os cabos das velas de ignição devem estar desligados para evitar um funcionamento involuntário. Pressione a válvula de pedal ou o gatilho da varinha para libertar qualquer pressão de água no sistema.**

**Use sempre óculos e luvas de protecção quando realizar a manutenção para ajudar a proteger contra químicos e bactérias da tubagem.**

#### Limpeza

A mangueira deve ser limpa conforme for necessário com água quente com sabão e/ou desinfectantes. Não permita que entre água para o motor ou outros componentes eléctricos. Não limpe com a limpadora a pressão. Limpe a unidade com um pano húmido.

#### Motor

Mantenha o motor conforme indicado no manual do operador do motor fornecido com a unidade.

#### Lubrificação da bomba

Verifique o nível do óleo da bomba antes da utilização. Coloque a máquina numa superfície nivelada. Limpe qualquer sujidade e resíduos da área da vareta e retire-a – verifique o nível do óleo. Se necessário, adicionar óleo não detergente SAE 30W. Não encha demasiado. Volte a colocar a vareta.

Mude o óleo da bomba após as primeiras 50 horas de funcionamento e a cada 500 horas de funcionamento depois disso. Com a bomba morna do funcionamento, retire o bujão no fundo da bomba e drene o óleo para um contentor adequado. Volte a colocar o bujão. Encha com aproximadamente 32 oz / 0,9 kg de óleo não detergente SAE 30W utilizando o procedimento de verificação.

## Lubrificação da caixa de velocidades

Verifique o nível do óleo da caixa de velocidades antes da utilização. Coloque a máquina numa superfície nivelada. Limpe qualquer sujidade e resíduos da área da vareta e retire-a – verifique o nível do óleo. Se necessário, adicione lubrificante não detergente SAE 90W. Não encha demasiado. Volte a colocar a vareta.

Mude o óleo na caixa de velocidades a cada 500 horas de funcionamento. Com a caixa de velocidades morna do funcionamento, retire o bujão no fundo da caixa de velocidades e drene o óleo para um contentor adequado. Volte a colocar o bujão. Encha com aproximadamente 8 oz / 0,2 kg de lubrificante não detergente SAE 90W utilizando o procedimento de verificação.

## Preparar a bomba para armazenamento em tempo frio

**NOTA** Se a máquina for armazenada em condições em que a temperatura esteja próxima dos 32°F / 0°C, a máquina deve ser devidamente preparada. Se a água congelar na bomba, pode danificá-la.

Existem dois métodos para preparar a máquina para armazenamento em tempo frio. O primeiro é abrir todas as válvulas no sistema e utilizar ar comprimido para forçar qualquer água para fora do sistema. Isto pode também ser utilizado para remover água das mangueiras.

O segundo método utiliza anticongelante RV (anticongelante de glicol não etileno). Não utilize anticongelante de glicol com etileno na bomba da máquina. O glicol com etileno não pode ser utilizado em sistemas de tubagens.

1. Fixe uma secção de mangueira com 3' / 90 cm na válvula de abastecimento de entrada e abra a válvula.
2. Coloque a extremidade da mangueira no recipiente do anticongelante RV.
3. Retire o bocal da extremidade da mangueira.
4. Ligue a máquina e deixe-a trabalhar até que o anticongelante comece a sair pela extremidade da mangueira.

## Acessórios

### ⚠ AVISO

**Para reduzir o risco de ferimentos graves, utilize apenas os acessórios concebidos especificamente e recomendados para utilização com as Máquinas de Jacto de Água RIDGID, tais como os indicados em baixo. Outros acessórios adequados para utilização com outras ferramentas podem ser perigosos quando utilizados com as Máquinas de Jacto de Água RIDGID.**

## Mangueiras e Bocais da Máquina de Jacto de Água KJ-2200

N.º Catálogo	Modelo N.º	Descrição	D.I. Mangueira pol. / mm	D.E. Mangueira pol. / mm
64772	H-61	Bocal de propulsão NPT 1/8" / 3,2 mm		
64777	H-62	Bocal de penetração		
64782	H-64	Bocal de limpeza		
82842	H-65	Bocal de Espiral 2200		
64787	H-71	Bocal de propulsão NPT 1/4" / 6,4 mm		
64792	H-72	Bocal de penetração		
82852	H-75	Bocal de Espiral 2200		
47592	H-1425	1/4" x 25' / 6,4 mm x 7,6 m	3/16 / 4,8	1/4 / 6,4
47597	H-1435	1/4" x 35' / 6,4 mm x 10,7 m	3/16 / 4,8	1/4 / 6,4
47602	H-1450	1/4" x 50' / 6,4 mm x 15,2 m	Mangueira de sifão 1/4" / 6,4 mm	3/16 / 4,8
49272	H-1475	1/4" x 75' / 6,4 mm x 22,9 m	Cor de laranja	3/16 / 4,8
49277	H-1400	1/4" x 100' / 6,4 mm x 30,5 m		3/16 / 4,8
64732	H-1415	1/4" x 150' / 6,4 mm x 45,7 m		3/16 / 4,8
50002	HL-1	Cabo Flexível, 1/4" / 6,4 mm	1/8 / 3,2	3/16 / 4,8
50007	HL-2	Cabo Flexível, 1/2" / 13 mm	1/8 / 3,2	3/16 / 4,8
47607	H-1250	1/2" x 50' / 13 mm x 15,2 m	1/4 / 6,4	1/2 / 13
47612	H-1275	1/2" x 75' / 13 mm x 22,9 m	1/4 / 6,4	1/2 / 13
47617	H-1200	1/2" x 100' / 13 mm x 30,5 m	1/4 / 6,4	1/2 / 13
51587	H-1211	1/2" x 110' / 13 mm x 33,5 m	Mangueira de Jacto 1/2" / 13 mm	1/4 / 6,4
49487	H-1215	1/2" x 150' / 13 mm x 45,7 m	Preto	1/4 / 6,4
51597	H-1220	1/2" x 200' / 13 mm x 61 m		1/4 / 6,4

## Acessórios para a Máquina de Jacto de Água KJ-2200

N.º Catálogo	Modelo N.º	Descrição
62882	H-5	Carretel de Mangueira Mini (mangueira não incluída)
64737	H-30	Carrinho com Carretel de Mangueira H-30
62877	H-30 WH	Carrinho com Carretel de Mangueira H-30 e Mangueira de Jacto 110' / 33,5 m x 1/2" / 13 mm
64077	HP-22	Conjunto de limpeza a pressão, KJ-2200
64767	HW-22	Varinha, KJ-2200
51572	H-1235	Mangueira com Varinha 1/2" / 13 mm x 35' / 10,7 m
48157	FV-1	Válvula de pé
66732	HF-4	Mangueira de Ligação Rápida
48367	H-25	Kit de Adaptação ao Inverno
47542	H-21	Ferramenta de limpeza do bocal
67187	H-32	Vac de Jacto

## Mangueiras e Bocais da Máquina de Jacto de Água KJ-3100

N.º Catálogo	Modelo N.º	Descrição	D.I. Mangueira pol. / mm	D.E. Mangueira pol. / mm
38698	H-101	Bocal de propulsão NPT 1/8" / 3,2 mm		
38713	H-102	Bocal de penetração Compatível com mangueira de 1/4" / 6,4 mm		
38703	H-104	Bocal articulado		
38723	H-105	Bocal de Espiral NPT 1/8" / 3,2 mm		
38693	H-111	Bocal de propulsão 1/4" / 6,4 mm NPT		
38708	H-112	Bocal de penetração Compatível com mangueira 3/8" / 9,5 mm		
38718	H-1155	Bocal de Espiral NPT 1/4" / 6,4 mm		
16713	RR3000	Bocal do Desenraizador		
47592	H-1425	Mangueira de Sifão 1/4" / 6,4 mm x 25' / 7,6 m	3/16 / 4,8	1/4 / 6,4
47597	H-1435	Mangueira de Sifão 1/4" / 6,4 mm x 35' / 10,7 m	3/16 / 4,8	1/4 / 6,4
47602	H-1450	Mangueira de Sifão 1/4" / 6,4 mm x 50' / 15,2 m	3/16 / 4,8	1/4 / 6,4
49272	H-1475	Mangueira de Sifão 1/4" / 6,4 mm x 75' / 22,9 m	3/16 / 4,8	1/4 / 6,4
49277	H-1400	Mangueira de Sifão 1/4" / 6,4 mm x 100' / 30,5 m	3/16 / 4,8	1/4 / 6,4
64732	H-1415	Mangueira de Sifão 1/4" / 6,4 mm x 150' / 45,7 m	3/16 / 4,8	1/4 / 6,4
64827	H-3835	Mangueira de Lavagem 3/8" / 9,5 mm x 35' / 10,7 m	3/8 / 9,5	5/8 / 16
64832	H-3850	Mangueira de Lavagem/Jacto 3/8" / 9,5 mm DI x 50' / 15,2 m	3/8 / 9,5	5/8 / 16
64837	H-3810	Mangueira de Jacto 3/8" / 9,5 mm DI x 100' / 30,5 m	3/8 / 9,5	5/8 / 16
64842	H-3815	Mangueira de Jacto 3/8" / 9,5 mm DI x 150' / 45,7 m	3/8 / 9,5	5/8 / 16
64847	H-3820	Mangueira de Jacto 3/8" / 9,5 mm DI x 200' / 61 m	3/8 / 9,5	5/8 / 16
64852	H-3825	Mangueira de Jacto 3/8" / 9,5 mm DI x 250' / 76,2 m	3/8 / 9,5	5/8 / 16
64857	H-3830	Mangueira de Jacto 3/8" / 9,5 mm DI x 300' / 91,4 m	3/8 / 9,5	5/8 / 16

## Acessórios para a Máquina de Jacto de Água KJ-3100

N.º Catálogo	Modelo N.º	Descrição
62882	H-5	Carretel de Mangueira Mini
64862	H-38	Carretel de Mangueira (compatível com KJ-3100)
64902	H-38 WH	Carretel de Mangueira com Mangueira de DI (compatível com KJ-3100) 200' / 61 m x 3/8" / 9,5 mm
64797	HW-30	Varinha, KJ-3100
48367	H-25	Kit de Adaptação ao Inverno
48157	FV-1	Válvula de pé
66732	HF-4	Mangueira de ligação rápida (bobina à válvula de pé)
47542	H-21	Ferramenta de limpeza do bocal
67187	H-32	Jet Vac

## Armazenamento da Máquina

**⚠ AVISO** Guarde a máquina numa área bem ventilada e protegida da chuva e da neve. Guarde a máquina numa área isolada que esteja fora do alcance de crianças e de pessoas não familiarizadas com máquinas de limpeza de tubagens. Esta máquina pode causar graves lesões nas mãos de pessoas sem formação específica. Consulte a secção *Manutenção* para informações sobre armazenamento em tempo frio. Consulte o manual do operador do motor para informações específicas sobre armazenamento de motores.

## Assistência Técnica e Reparação

### ⚠ AVISO

**Serviço ou reparação impróprios podem tornar a máquina insegura de operar.**

As "Instruções de Manutenção" serão suficientes para resolver a maioria das necessidades de manutenção desta máquina. Quaisquer problemas que não sejam abordados nesta secção, apenas devem ser tratados por um técnico autorizado da RIDGID.

A ferramenta deve ser levada a um Centro de Assistência Independente Autorizado da RIDGID, ou devolvida à fábrica.

Para informação sobre o Centro de Assistência Independente da RIDGID mais próximo, ou para questões sobre assistência e reparação:

- Contacte o seu distribuidor local RIDGID.
- Visite os sites [www.RIDGID.com](http://www.RIDGID.com) ou [www.RIDGID.eu](http://www.RIDGID.eu) para encontrar o seu ponto de contacto RIDGID local.
- Contacte o Departamento de Assistência Técnica da RIDGID pelo endereço de correio electrónico [rtctechservices@emerson.com](mailto:rtctechservices@emerson.com), ou no caso dos E.U.A e Canadá, ligue para (800) 519-3456.

## Eliminação

Determinadas partes da máquina de jacto de água contém materiais valiosos e podem ser recicladas. Existem empresas que se especializam na reciclagem que podem ser encontradas localmente. Elimine os componentes em conformidade com todos os regulamentos aplicáveis. Contacte as autoridades locais de gestão dos resíduos para mais informações.



**Nos países da CE:** Não elimine o equipamento eléctrico juntamente com o lixo doméstico!

De acordo com a Directiva Europeia 2002/96/CE relativa aos resíduos de equipamentos eléctricos e electrónicos e as suas transposições para as legislações nacionais, o equipamento eléctrico em final de vida útil deve ser recolhido em separado e eliminado de forma ambientalmente correcta.

## Resolução de problemas

PROBLEMA	CAUSA	CORRECÇÃO
<p><b>A máquina trabalha mas produz pouca ou nenhuma pressão.</b></p>	<p>Fornecimento de água inadequado.</p>	<p>Certifique-se de que a torneira de abastecimento de água está <b>LIGADA</b>.</p> <p>Certifique-se de que a válvula de entrada de abastecimento de água está <b>LIGADA</b>.</p> <p>Certifique-se de que a mangueira de abastecimento de água está livre e sem dobras ou partida.</p>
<p><b>A máquina não fará o ajuste para funcionamento a pressão total no arranque.</b></p>	<p>Está ar preso no sistema.</p> <p>Os impulsos do bocal de jacto estão bloqueados</p>	<p>Retire o bocal da mangueira de jacto e deixe a máquina retirar ar/resíduos do sistema.</p> <p>Remova o bocal e limpe os orifícios dos cilindros com a ferramenta de limpeza de bocais.</p>
<p><b>O calibre de pressão da máquina oscila entre 500 e a pressão total de funcionamento.</b></p>	<p>Os cilindros do bocal de jacto estão bloqueados.</p> <p>Resíduos ou ar presos no sistema.</p>	<p>Retire o bocal. Utilize a ferramenta de limpeza de bocais para limpar os orifícios dos bocais: seleccione o tamanho de fio adequado e empurre totalmente pelo orifício de cada cilindro para retirar resíduos.</p> <p>Retire o bocal e insira a mangueira de jacto na linha da tubagem. Deixe a máquina trabalhar para retirar ar ou resíduos.</p>



# Högtrycksrensare

## KJ-2200/KJ-3100 Högtrycksrensare



KJ-3100



KJ-2200

### **⚠ VARNING!**

Läs den här bruksanvisningen noggrant innan du använder utrustningen. Om du använder utrustningen utan att ha förstått eller följt innehållet i bruksanvisningen finns risk för elchock, brand och/eller personskador.

### KJ-2200/KJ-3100 Högtrycksrensare

Anteckna serienumret nedan, och spara produktens serienummer som sitter på märkskylten.

Serie-  
nr

--

## Innehåll

<b>Registreringsformulär för maskin med serienummer</b> .....	143
<b>Säkerhetssymboler</b> .....	145
<b>Allmänna säkerhetsföreskrifter</b> .....	145
Säkerhet på arbetsområdet.....	145
Elsäkerhet.....	145
Personlig säkerhet.....	145
Användning och skötsel av verktyget .....	146
Service .....	146
<b>Säkerhetsvarningar för högtrycksrensare</b> .....	146
<b>Beskrivning, specifikationer och standardutrustning</b> .....	147
Beskrivning.....	147
Specifikationer .....	148
Symboler .....	148
Standardutrustning.....	148
<b>Montering av maskinen</b> .....	148
Motorolja .....	148
Olja för pump/växellåda.....	148
Transportkärra KJ-2200.....	149
Handtag KJ-3100.....	149
<b>Kontroll före användning</b> .....	149
<b>Inställning av maskin och arbetsområde</b> .....	151
Vattentillförsel .....	152
Förbereda avloppet.....	152
Inställning av slangen.....	153
VALTABELL FÖR SLANGAR.....	154
VALTABELL FÖR MUNSTYCKEN .....	154
<b>Anvisningar för användning</b> .....	155
Spola avloppet.....	156
Använda pulsläget.....	157
Använda högtrycksrensaren som högtryckstvätt.....	158
Använda högtryckstvätten .....	158
Insprutare för rengöringsmedel .....	159
<b>Anvisningar för underhåll</b> .....	159
Rengöring .....	159
Motor.....	159
Pumpsmörjning .....	159
Smörjning av växellådan.....	159
Förbereda pumpen för förvaring vid kallt väder .....	159
<b>Tillbehör</b> .....	160
<b>Förvaring av maskinen</b> .....	161
<b>Service och reparationer</b> .....	161
<b>Bortskaffande</b> .....	161
<b>Felsökning</b> .....	162
<b>Livstidsgaranti</b> .....	Omslagets baksida

\*Översättning av bruksanvisning i original

## Säkerhetssymboler

I den här bruksanvisningen och på produkten används säkerhetssymboler och signalord för att kommunicera viktig säkerhetsinformation. Det här avsnittet syftar till att förbättra förståelsen av dessa signalord och symboler.



Detta är en säkerhetssymbol. Den används för att göra dig uppmärksam på risker för personskador. Rätta dig efter alla säkerhetsföreskrifter som följer efter denna symbol, för att undvika personskador eller dödsfall.



**FARA** FARA betecknar en farlig situation som kommer att orsaka dödsfall eller allvarliga personskador, om situationen inte undviks.



**WARNING** WARNING betecknar en farlig situation som kan orsaka dödsfall eller allvarliga personskador, om situationen inte undviks.



**SE UPP** SE UPP betecknar en farlig situation som kan orsaka lindriga eller medelsvåra personskador, om situationen inte undviks.



**OBS** OBS betecknar information som är avsedd att skydda materiell egendom.



Den här symbolen betyder att bruksanvisningen ska läsas noggrant innan utrustningen används, för att minska risken för personskador. Bruksanvisningen innehåller viktig information om säker och korrekt användning av utrustningen.



Den här symbolen visar att skyddsglasögon med sidoskydd eller goggles alltid ska bäras när utrustningen används, för att minska risken för ögonskador.



Den här symbolen visar att det finns risk för att vatten med högt tryck träffar kroppsdelar och orsakar hudpunktering och injektionsskador.



Den här symbolen visar att det finns risk för att slangen piskar runt och orsakar slag- eller injektionsskador.



Den här symbolen visar att det finns risk för inandning av kolmonoxid vilket kan orsaka illamående, svimning eller dödsfall.



Den här symbolen visar att det finns brandrisk och explosionsrisk från bensin eller andra källor som kan orsaka brännskador eller andra personskador.

## Allmänna säkerhetsföreskrifter

### ⚠ VARNING

**Läs alla anvisningar så att du förstått dem. Om du använder utrustningen utan att förstå eller följa instruktionerna finns risk för elchock, brand och/eller allvarliga personskador.**

### SPARA DESSA ANVISNINGAR!

### Säkerhet på arbetsområdet

- **Håll arbetsområdet städat och väl upplyst.** Stöki-ga arbetsbänkar och mörka områden gör att olyckor inträffar lättare.
- **Använd inte motordrivna verktyg i omgivningar med explosiv atmosfär, till exempel i närheten av brandfarliga vätskor, gaser eller damm.** Motordrivna verktyg kan avge gnistor som kan antända dammet eller ångan.
- **Håll kringstående, barn och besökare på avstånd vid användning av motordrivna verktyg.** Störande moment kan få dig att tappa kontrollen.

### Elsäkerhet

- **Undvik kroppskontakt med jordade ytor såsom rör, element och kylskåp.** Risken för elchock ökar om din kropp är jordad.

### Personlig säkerhet

- **Var uppmärksam, ha uppsikt över det du gör, och använd sunt förnuft när du använder ett motordrivet verktyg. Använd inte verktyg om du är trött eller påverkad av mediciner, alkohol eller annat.** Ett enda ouppmärksamt ögonblick under användning av motordrivna verktyg kan orsaka allvarliga personskador.
- **Använd ordentliga kläder. Använd inte löst sittande kläder eller hängande smycken. Skydda långt hår. Håll hår, kläder och handskar på behörigt avstånd från rörliga delar.** Löst sittande kläder, smycken och långt hår kan fastna i rörliga delar.
- **Sträck dig inte för långt. Stå alltid stabilt och ha god balans.** Om du står stadigt med god balans har du bättre kontroll över det verktyget vid oväntade situationer.

- **Använd skyddsutrustning. Bär alltid ögonskydd.** Ansiktsmasker med stoftskydd, halkfria skyddsskor, hjälm eller hörselskydd måste användas där så är lämpligt, och minskar risken för personskador.

### Användning och skötsel av verktyget

- **Använd inte överdriven kraft när du arbetar med utrustningen. Använd rätt verktyg för uppgiften.** Rätt verktyg utför uppgiften bättre och säkrare vid den hastighet som det är konstruerat för.
- **Använd inte det motordrivna verktyget om omkopplaren inte fungerar (PÅ och AV).** Verktyg där omkopplaren inte fungerar är farliga, och måste repareras.
- **Förvara utrustningen där den inte kan nås av barn eller obehöriga personer.** Dessa verktyg är farliga i händerna på utbildade användare.
- **Underhåll maskinerna noggrant. Håll kapverktygen vassa och rena.** Ordentligt underhållna verktyg med vassa skärande eggar kärvar inte lika lätt och är lättare att kontrollera.
- **Kontrollera att inga rörliga delar är felinställda eller kärvar, att inga delar är trasiga, och var uppmärksam på annat som kan påverka utrustningens funktion. Om verktyget är skadat ska det genomgå service innan det används igen.** Många olyckor orsakas av verktyg som inte underhålls ordentligt.
- **Använd endast tillbehör som tillverkaren rekommenderar för din modell.** Tillbehör som passar ett verktyg kan bli farligt om det används med andra verktyg.

### Service

- **Verktjgsservice får endast utföras av kvalificerad reparationspersonal.** Service eller underhåll som utförs av obehörig reparationspersonal kan innebära risk för personskador.
- **Använd endast identiska reservdelar vid service på ett verktyg. Följ anvisningarna i handbokens underhållsavsnitt.** Användning av otillåtna delar eller underlåtelse att följa anvisningarna för underhåll kan orsaka risk för elchock eller personskador.

## Säkerhetsvarningar för högtrycksrensare

### ▲ VARNING

Det här avsnittet innehåller viktig säkerhetsinformation som gäller specifikt för det här verktyget.

Läs avsnittet om dessa förebyggande åtgärder noggrant innan du använder den här avloppsrensaren, så att du minskar risken för elchock eller andra allvarliga personskador.

### SPARA ALLA VARNINGAR OCH ANVISNINGAR SOM REFERENS I FRAMTIDEN!

Förvara den här bruksanvisningen med maskinen, så att operatören alltid har tillgång till den.

- **Använd aldrig rensmaskinen med slangänden utanför avloppsröret.** Slangen kan piska runt och orsaka allvarliga personskador, och strålen kan penetrera huden och orsaka allvarlig personskada.
- **Vatten under högt tryck kan injekteras under huden och orsaka allvarliga personskador inklusive amputation.** Spruta aldrig på människor eller djur.
- **Använd inte rensmaskinen vid högre tryck än märktrycket och inte över 140°F / 60°C (inloppsvattnets temperatur).** Detta ökar risken för elchock, inklusive brännskador, och skador på rensmaskinen.
- **En person måste styra både rensningsprocessen och fotventilen. Använd alltid fotventilen.** Om rensslangen kommer ut ur avloppsröret måste operatören kunna stänga av vattenflödet för att minska risken för att slangens piskar och orsakar slag och skador på grund av injektering och höga tryck.
- **Använd alltid lämplig personlig skyddsutrustning vid hantering och användning av utrustning för avloppsrensning.** Avloppsrör kan innehålla kemikalier, bakterier eller andra ämnen som kan vara giftiga, smittande, irriterande m.m. Lämplig skyddsutrustning innefattar alltid skyddsglasögon och skyddshandskar, och kan också innefatta utrustning som till exempel latex- eller gummihandskar, ansiktsmasker, skyddsglasögon, skyddskläder, andningsutrustning och skyddsskor med stålhätta.
- **Var noga med hygien.** Använd varmt löddrande vatten för att tvätta händer och andra kroppsdelar som utsatts för avloppsinnehåll efter hantering eller användning av utrustning för avloppsrensning. Ät inte och rök inte under användning/hantering av utrustning för avloppsrensning. Detta förhindrar att giftiga ämnen eller smittbärande ämnen sprids.



- **Spruta inga giftiga eller brandfarliga vätskor.** Detta minskar risken för brännskador, brand, explosioner eller andra personskador.
- **Bensin och bensinångor är mycket brandfarliga och explosiva.** Se motorns bruksanvisning för uppgifter om förebyggande åtgärder för att minska risken för brännskador, explosioner och allvarliga personskador under hantering och användning av bensin.
- **Motorerna genererar kolmonoxid som är en färglös och luktlös gas. Inandning av kolmonoxid kan orsaka illamående, svimning eller dödsfall.** Motorn får aldrig startas eller köras inomhus även om dörrar och fönster är öppna. Utrustningen får bara användas utomhus.
- **Heta ytor kan orsaka brännskador och brand.** Håll kroppsdelar och brandfarligt material på avstånd från heta ytor.
- **Du måste ha läst och förstått den här bruksanvisningen, motorns bruksanvisning samt alla varningar och anvisningar för all utrustning som används med det här verktyget, innan användningen börjar.** Om du inte följer varningar och anvisningar kan detta orsaka allvarliga personskador och/eller skador på egendom.

En EG-försäkran om överensstämmelse (890-011-320.10) medföljer den här bruksanvisningen om så behövs (separat häfte).

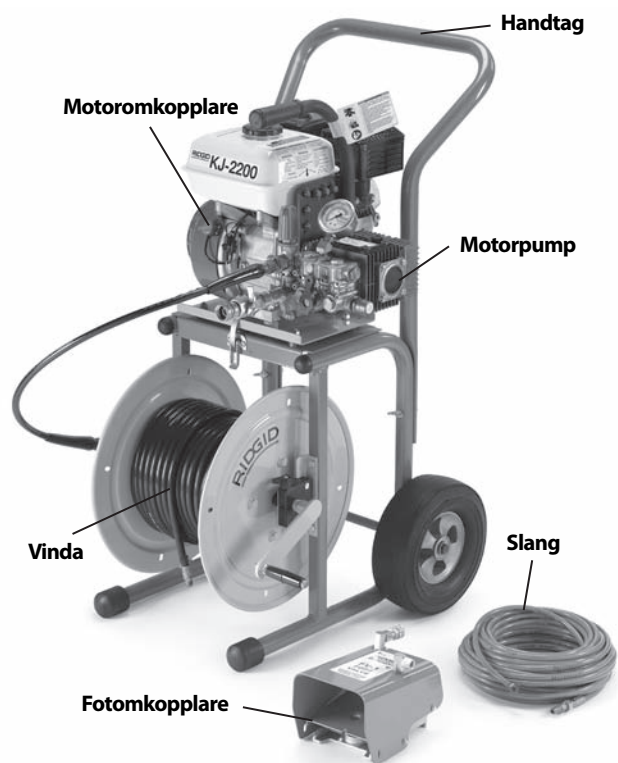
Om du har någon fråga om den här RIDGID®-produkten:

- Kontakta närmaste RIDGID-distributör.
- Besök [www.RIDGID.com](http://www.RIDGID.com) eller [www.RIDGID.eu](http://www.RIDGID.eu) för att lokalisera närmaste RIDGID-representant.
- Kontakta RIDGID Technical Services Department på [rtctechservices@emerson.com](mailto:rtctechservices@emerson.com). Om du befinner dig i USA eller Kanada ringer du (800) 519-3456.

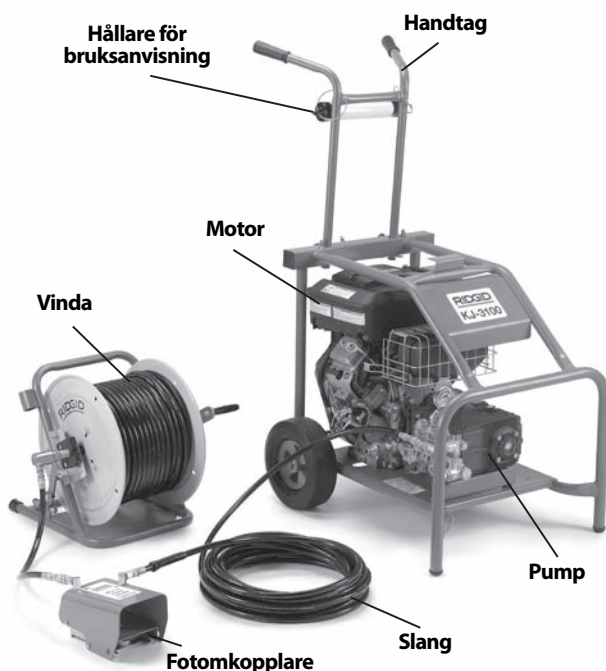
## Beskrivning, specifikationer och standardutrustning

### Beskrivning

RIDGID® motordrivna vattenrensmaskiner är flyttbara högtrycksrensmaskiner som använder en kombination av vattentryck och flöde för att få bort fett, slam, sediment och rötter från avloppsrör. En mycket flexibel och lätt slang skjuts igenom röret med hjälp av bakåtriktade strålar på rensmunstycket, och när slangen dras tillbaka spolas skräpet bort. När pulsfunktionen är aktiverad går det lättare att ta sig förbi svåra böjar och vattenlås. Alla maskiner har bensinmotor som driver den tredubbla kolpumpen.



Figur 1 – KJ-2200 Högtrycksrensare (vatten)



Figur 2 – KJ-3100 Högtrycksrensare (vatten)


**Figur 3 – Maskinens serienummer**

Maskinens serienummer sitter på ramen. De sista fyra siffrorna visar tillverkningsmånad och -år. (08 = månad, 10 = år).

### Specifikationer

Högtrycksrensare Modell	Motor hk	Tryck PSI / bar
KJ-2200	6.5 / 6,5	2200 / 150
KJ-3100	16	3000 / 205
Flödes hastighet GPM / liter	Avloppsledning dimension tum / mm	Vikt (utan slangvinda) lbs / kg
2.4 / 9	1 <sup>1</sup> / <sub>4</sub> - 6 / 32 - 152	65 / 30
5.5 / 20	2 - 10 / 50 - 250	262 / 119

### Symboler



### Standardutrustning

Alla rensmaskiner levereras med

- Passande rensmunstycken
- Rengöringsverktyg för munstycken
- Fotventil V-1
- Bruksanvisningen för motoranvändare

Se RIDGID-katalogen för uppgifter om specifik utrustning samt respektive katalognummer.

**OBS** Den här maskinen är avsedd för rengöring av avloppsledningar. Om den används korrekt kommer den inte att skada en avloppsledning som är i gott skick och ordentligt utformad, konstruerad och underhållen. Om avloppsledningen är i dåligt skick, eller om den inte utformats, konstruerats eller underhållits korrekt kanske avloppsrensningen inte fungerar, och det finns

även risk för skador på avloppet. Det bästa sättet att fastställa skicket på en avloppsledning före rengöring är att göra en visuell inspektion med en kamera. Felaktig användning av rensmaskinen kan skada maskinen och avloppsledningen. Den här maskinen kanske inte kan rensa alla igensättningar.

## Montering av maskinen

### ⚠ VARNING

**Följ dessa rutiner för korrekt montering och för att förhindra allvarliga personskador och maskinskador under användning.**

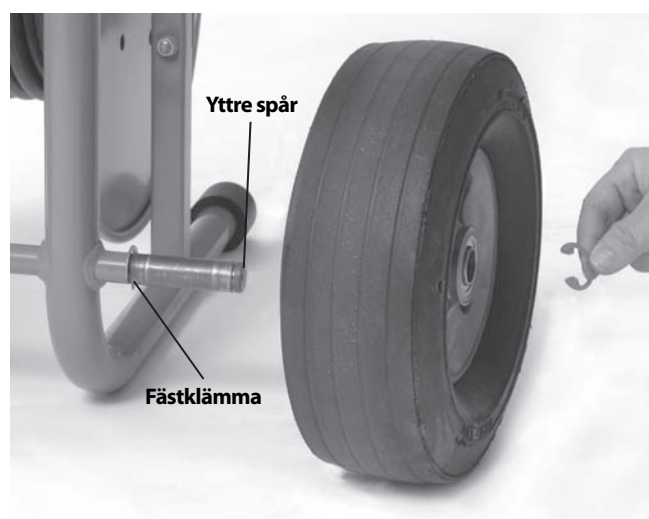
### Motorolja

**OBS** Rensmaskinen levereras utan olja i motorn. Om motorn körs utan olja kommer motorn att skära. Fyll på olja innan den startas. Den medföljande bruksanvisningen innehåller specifik information om val av olja och påfyllning av olja.

### Olja för pump/växellåda

**Pump:** Byt ut pluggen överst på pumpen mot oljestickan/ventilationslocket. Om rensmaskinen körs med pluggen isatt kan pumptätningarna skadas. Kontrollera oljenivån enligt avsnittet *Anvisningar för underhåll*.

**Växellåda (endast KJ-3100):** Ta bort pluggen överst på pumpen och sätt in oljestickan/ventilationslocket i stället. Om rensmaskinen körs med pluggen isatt kan växellådstätningarna skadas. Kontrollera oljenivån enligt avsnittet *Anvisningar för underhåll*.

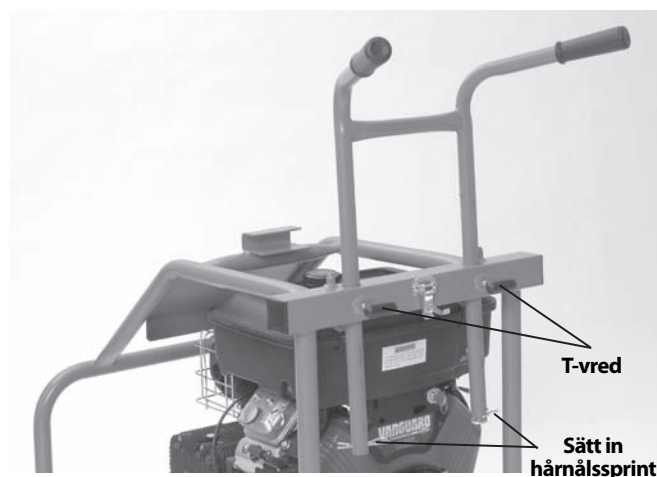

**Figur 4 – Montering av KJ-2200**

### Transportkärra KJ-2200

1. Montera fästklämman i det inre spåret på respektive axelände. (Se figur 4.)
2. Skjut ett hjul över respektive axelände.
3. Fäst fästklämman i det yttre spåret på respektive axelände så att hjulet sitter kvar.
4. Använd de medföljande vagnsskruvarna och vingmuttrarna för att fästa handtaget vid ramen.
5. Lyft motor-/pumpenheten på kärran och rikta in hålen i basplattan med tapparna överst på kärran. Använd spärrarna på vagnen för att hålla fast motorn/pumpen. Kontrollera att hela enheten sitter ordentligt fast.

### Handtag KJ-3100

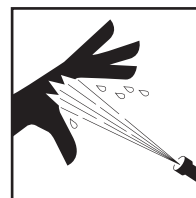
1. Sätt in handtaget genom de två hålen i bakre tvärbalken på ramen. (Se figur 5.)
2. Sätt in en hårnålssprint genom hålen i nedre delen av handtaget så att handtaget inte faller ut.
3. Skruva in T-vreden i den bakre tvärbalken. Justera handtaget enligt önskemål och dra åt vreden för att säkra handtagen.



Figur 5 – KJ-3100 Handtag

### Kontroll före användning

#### ⚠ VARNING



**Kontrollera högtrycksrensaren före varje användningstillfälle och åtgärda eventuella problem för att minska risken för allvarliga personskador eller skador på egendom på grund av höga vattentryck.**

**Bär alltid skyddsglasögon, handskar och annan lämplig skyddsutrustning när du inspekterar högtrycksrensaren, så att du skyddar dig mot kemikalier och bakterier på utrustningen.**

1. Kontrollera att motorns startknapp/startnyckel är i avstängt läge.
2. Rengör alla handtag och reglage, och ta bort all olja, smuts och allt smörjfett från utrustningen. Detta underlättar inspektionen och förhindrar att verktyget glider ur handen vid användningen.
3. Inspektera högtrycksrensaren och alla tillbehör avseende följande:
  - Ordentlig montering och komplett.
  - Trasiga, slitna, saknade, felinställda, kärvande eller lösa delar.
  - Varningsetiketterna finns på plats och är läsliga. (Se figur 6.)
  - Alla andra omständigheter som kan förhindra säker och normal drift.

Om du hittar problem – använd inte högtrycksrensaren förrän problemen åtgärdats.

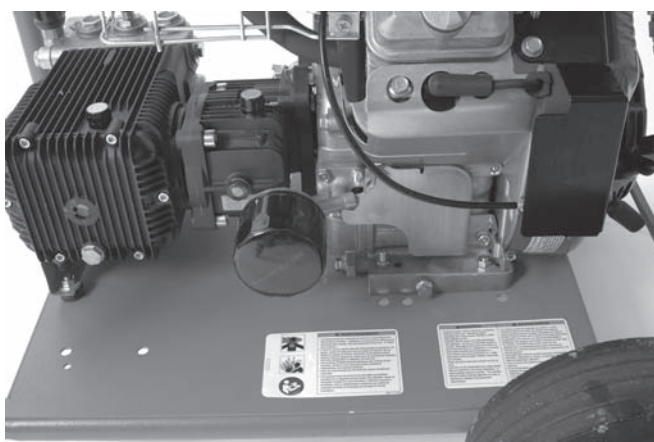


Figur 6A – Varningsetiketter på KJ-2200

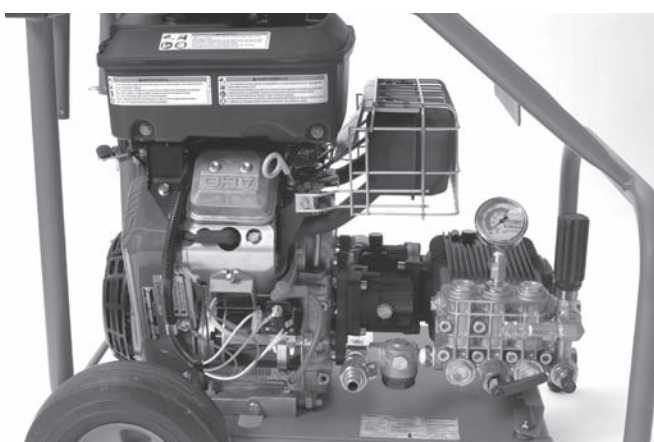




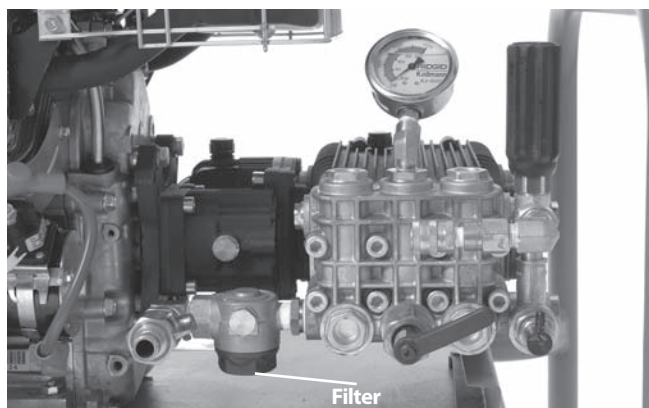
Figur 6B – Varningsetiketter på KJ-2200



Figur 6C – Varningsetiketter på KJ-3100



Figur 6D – Varningsetiketter på KJ-3100



Figur 7 – Inloppsfilter/Filterbricka

4. Rengör vatteninloppsfiltret/filterbrickan. Skruva loss kåpan från nedre delen av inloppsfiltret och rengör den. Smuts och skräp kan hindra vattenflödet till pumpen och försämra prestandan.

5. Kontrollera att högtrycksrensarens munstycken inte är skadade eller blockerade. Blockeringar kan rengöras med ett verktyg för munstycksrengöring. Var försiktig så att munstycksöppningen inte förstoras under rengöringen. Skadade munstycken eller munstycken med förstörade munstycksöppningar kan försämra prestandan hos högtrycksrensaren - sådana munstycken måste bytas ut.
6. Kontrollera slangar och kopplingar avseende slitage och skador. Om det finns skador, sprickor, brott eller slitage som går igenom slangens yttre höjld ska du inte använda slangen. Skadade slangar kan brista och vatten med högt tryck kan spruta ut och orsaka allvarliga personskador. Utbytesslangar och utbyteskopplingar ska vara dimensionerade så att de klarar samma tryck som högtrycksrensaren ger (eller högre tryck).
7. Inspektera och utför service på motorn enligt motorns bruksanvisning.
8. Kontrollera motorns bränslenivå. För KJ-3100: lossa slangvindans spärr och vrid slangvindan framåt tills den vilar på ramen, så att du kommer åt tanklocket. *Figur 8.* Fyll på med blyfri bensin om så behövs. Se bruksanvisningen för motorn. Var försiktig när du hanterar bensin. Tanka på en plats med god ventilation. Överfyll inte tanken och spill inte bränsle. Kontrollera att tanklocket sitter ordentligt fast.





Figur 8 – KJ-3100 Åtkomst till bränsletanken

9. Kontrollera oljenivån i pumpen och växellådan (om utrustningen har växellåda) och fyll på olja vid behov (se Anvisningar för underhåll).

## Inställning av maskin och arbetsområde

### ⚠ VARNING



**Bär alltid skyddsglasögon, handskar och annan lämplig skyddsutrustning när du ställer in högtrycksrensaren, så att du skyddar dig mot kemikalier och bakterier på utrustningen. Skor med halkfria gummisulor kan hjälpa till att skydda mot halka, särskilt på våta underlag.**

**Motorerna genererar kolmonoxid som är en giftig, färglös och luktlös gas. Inandning av kolmonoxid kan orsaka illamående, svimning eller dödsfall. Motorn får aldrig startas eller köras inomhus även om dörrar och fönster är öppna. Utrustningen får bara användas utomhus.**

**Anpassa högtrycksrensaren och arbetsområdet enligt dessa anvisningar för att minska risken för personskador som kan uppstå på grund av vatten med högt tryck, kemiska brännskador, infektioner, kolmonoxid eller andra orsaker, och för att förhindra skador på högtrycksrensaren.**

- Kontrollera att arbetsområdet uppfyller följande:
  - Tillräcklig belysning.
  - Inga brandfarliga vätskor, ångor eller damm som kan antändas. Arbeta inte inom området förrän alla risker identifierats och åtgärdats. Högtrycksrensaren är inte explosionssäker och kan orsaka gnistor.
  - Överskådligt, plant och stabilt underlag för maskinen och operatören. Ta bort vattnet från arbetsområdet vid behov. Trä eller andra täckande ytor kan behöva tas bort.
  - Högtrycksrensaren är placerad utomhus på ett väl ventilerat område. Placera aldrig högtrycksrensaren inomhus, även om dörrar och fönster är öppna. Högtrycksrensaren behöver inte stå i omedelbar närhet till den plats där den används.
  - Lämplig vattentillförsel.
  - Se till att det finns fri väg för att köra fram högtrycksrensaren till arbetsplatsen.
- Inspektera det avlopp som ska rensas. Försök om möjligt att fastställa ingångspunkter till avloppet samt dimensioner och längder på avloppsrören, avstånd till tankar eller huvudledningar, typ av insättning och eventuell förekomst av kemikalier för avloppsrening eller andra kemikalier. Om kemikalier förekommer i avloppet är det viktigt att du känner till och förstår de säkerhetsåtgärder som krävs för att arbeta med kemikalierna. Kontakta kemikalietillverkaren för nödvändig information.
 

Ta bort fixturer (vattenklosetter och liknande) så att du kommer åt avloppet. Dra inte slangen genom en fixtur. Detta kan skada slangen och fixturen.
- Bestäm rätt utrustning för uppgiften. Se avsnittet *Specifikationer* för information om dessa högtrycksrensare. Avloppsrensare och högtrycksrensare för andra användningsområden finns i RIDGID-katalogen, online på [www.RIDGID.com](http://www.RIDGID.com) eller [www.RIDGID.eu](http://www.RIDGID.eu).
- Kontrollera att all utrustning inspekterats ordentligt.
- Kontrollera arbetsområdet och fastställ om det krävs avspärningar för att hålla kringstående på avstånd. Kringstående kan distrahera operatören. Om du arbetar nära trafik ska du sätta upp vägkoner eller andra avspärningar för att informera fordonsförare.

6. Sätt skyddsöverdrag över arbetsområdet om så behövs. Avloppsrensning kan vara ett smutsigt jobb.
7. Ta högtrycksrensaren till ett välventilerat utrymme område utomhus och kontrollera att det finns en öppen väg fram till platsen. Använd rätt lyftteknik om maskinen behöver lyftas. Var försiktig om du flyttar utrustningen uppför och nedför trappor, och se upp med halkrisken. Bär lämpliga skor så att du inte halkar.

### Vattentillförsel

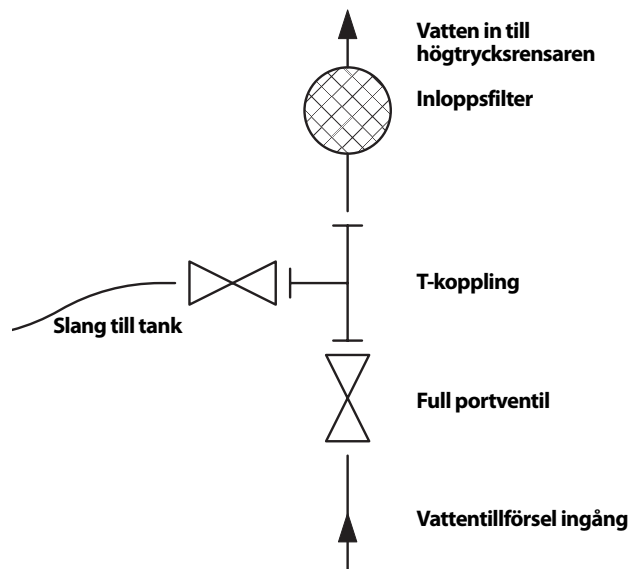
Kontrollera att det finns tillräckligt vattenflöde för högtrycksrensaren. Dra en slang från vattentillförseln till högtrycksrensaren. Använd en slang med så stor diameter som möjligt, och håll slangen så kort som möjligt. En slang med  $\frac{3}{4}$ " / 19 mm innerdiameter rekommenderas. Använd ett lämpligt bakåtlödesskydd för att uppfylla lokala regler och bestämmelser. Skruva på vattnet vid källan och mät hur länge det tar att fylla en 5 gal. / 18,9 liters ren spann. *Se följande tabell för maximala fylltider för varje högtrycksrensare.*

Högtrycksrensare	Märkvärde GPM / liter	Högst 5 Gallon / 18,9 liter fylltid (spann)
KJ-2200	2.4 / 9	125 sekunder
KJ-3100	5.5 / 20	55 sekunder

Om vattenflödet är otillräckligt kommer högtrycksrensaren inte att nå tillräckligt tryck, vilket kan skada pumpen. Kontrollera att vattnet i spannen inte innehåller smuts eller skräp. Smuts och skräp i inkommande vatten kan skada pumpen, proppa igen högtrycksrensarens filtermunstycken och försämra prestandan. Använd inte vatten från dammar, sjöar eller andra källor som kan vara förorenade.

Om vattenflödet är otillräckligt kan detta eventuellt lösas genom att ansluta flera vattentillförselslangor till högtrycksrensaren, eller genom att använda en tank.

Om en tank används ska en T-koppling med fullständiga portventiler anslutas till högtrycksrensaren enligt *Figur 9*. Anslut en slang med dimensionen  $\frac{3}{4}$ " / 19 mm (högst 6' / 1,8 meter lång) till ventilen på T-kopplingens utlopp, och anslut vattentillförseln till T-kopplingens inlopp. Sätt antingen slangens ände i tanken eller anslut till tankens utlopp. Tankslangens hela längd ska vara högst 5" / 12,7 cm ovanför vatteninloppet till rensmaskinen, annars kommer rensmaskinen inte att dra vatten från tanken.



**Figur 9 – Anslutningar för vattentillförsel vid användning av tank**

Fyll tanken innan du startar högtrycksrensaren. När du startar högtrycksrensaren ska tankventilen stängas av. Öppna tankventilen så snart som högtrycksrensaren startats. Övervaka vattennivån i tanken och stoppa eventuellt rensningen så att tanken hinner fyllas. Låt inte vattennivån falla under slangänden.

Hett vatten kan användas för att förbättra rengöringen. Använd inte vatten som är varmare än 140°F / 60°C – detta kan göra att pumpens överhettningsskydd löser ut. När du använder hett vatten ska du även använda personlig skyddsutrustning för att minska risken för brännskador.

Vidta förebyggande åtgärder vid kall väderlek så att vattnet inte fryser i pumpen. Detta kan skada pumpen.

Kontrollera att inloppsventilen på högtrycksrensaren är stängd och fäst tillförselslangan vid högtrycksrensaren.

### Förbereda avloppet

Om du arbetar genom en manhålslucka, stormlucka eller annan större öppning kan du använda rör och kopplingar för att styra upp högtrycksrensarens slang från öppningen till själva arbetsstället. Detta hindrar högtrycksrensarens slang från att piska runt i det större hålet, och skyddar slangen från skador.

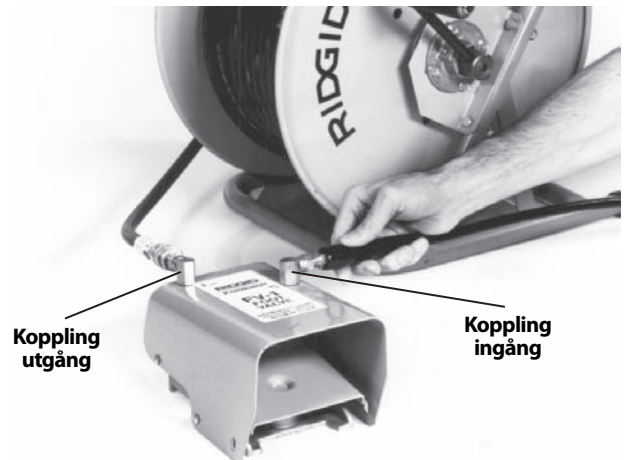


**Figur 10 – Förlängning med rörledning till arbetspunkten**

### Inställning av slang

Var försiktig när du drar fram högtrycksrensarens slangar. Om slangarna dras över ojämna ytor, vassa kanter, korsande slangar eller liknande kan slangens hölje skadas, särskilt om högtrycksrensaren används i pulsläget. Om du låter slangens sitta kvar på vindan undviker du skador på slangens.

1. Välj en slangdimension som passar det rör som ska rengöras. Du bör inte koppla samman två högtrycksrensarslangar för att rengöra avlopp. Kopplingen mellan de två slangarna är mindre flexibel och kan förhindra passage genom kopplingarna. *Se valtabellen över slangar.*
2. Skilj slangvindan från motorn/pumpenheten. Ställ slangvindan högst 3' / 90 cm från avloppsöppningen. Låt inte alltför stora slanglängder ligga utanför avloppskanalen, för att förhindra skador på slangens. Om det inte går att ställa slangvindan inom 3' / 90 cm från avloppsöppningen kan du dra öppningen tillbaka till slangvindan genom att använda rör med lämpliga dimensioner och kopplingar.
3. Dra en slang från högtrycksrensaren till IN-kopplingen på fotventilen. Använd teflontejp för att försegla kopplingen. Placera fotventilen så att du lätt kommer åt den. Du måste kontrollera högtrycksrensarens slang och fotventil.
4. Koppla slangens från slangvindan till UT-kopplingen på fotventilen.



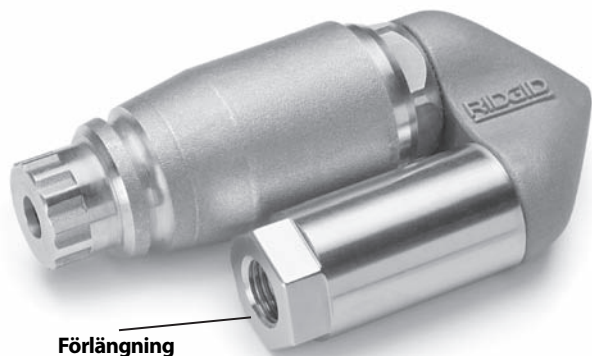
**Figur 11 – Anslutning av fotventil**

5. Gör en markering nära änden på högtrycksrensarens slang för att indikera var munstycket kommer nära avloppsöppningen när det dras ut. Detta hindrar munstycket från att komma ut ur avloppsledningen och piska runt. Sträckan beror på hur avloppet är konstruerat, men den bör vara minst 4' / 1,2 meter.
6. Ta bort munstycket ur änden av högtrycksrensarens slang och placera högtrycksrensarens slangände i avloppsledningen. Öppna inloppsluftventilen för att rensa luften och blåsa ut allt skräp ur högtrycksrensaren och slangarna. Låt vattnet flöda under minst 2 minuter.
7. Stäng inloppsventilen.
8. Välj ett munstycke. Använd munstycken som är exakt specificerade för den högtrycksrensare som används. Användning av felaktiga munstycken kan ge försämrade prestanda (lågt arbetstryck eller lågt flöde) eller skada högtrycksrensaren genom överdrivet höga tryck. Kontrollera att munstycksöppningarna är rena och öppna. *Se valtabellen för munstycken.*

Om RR3000-munstycket används för avlopp med större diameter än 6" / 152 mm och upp till 9" / 229 mm måste förlängning användas. För avloppsledningar med diametern 6" / 152 mm eller mindre behövs ingen förlängning. Dra vid behov åt förlängningen till RR3000 – dra inte åt för hårt. Om RR3000-munstycket används i en ledning som är större än 6" / 152 mm i diameter (och upp till 9" / 229 mm) utan förlängning, eller i ledningar som har större diameter än 9" / 229 mm kan munstycket ändra riktning i avloppsledningen så att det vänder tillbaka i riktning mot användaren och orsakar allvarliga personskador (Figur 12).

9. Dra åt munstycket för hand i änden av slangens – dra inte åt för hårt. Om munstycket dras åt för hårt kan det skadas och prestandan försämras.

10. Sätt in slangen med munstycket i avloppet och öppna inloppsventilen. Kontrollera att vattnet flyter fritt genom munstycket och stäng inloppsventilen.



Figur 12 – RR3000 munstycke med förlängning

## VALTABELL FÖR SLANGAR

Användningsområden		Rördim. tum / mm	Munst. dim. tum / mm	Slangdim (ID) tum / mm	Slangdim (YD) tum / mm
KJ-2200	Handfat, urinoarer och mindre rörledningar i badrum.	1 1/4 - 2 / 32 - 50	1/8 / 3,2 NPT	1/8 / 3,2	3/16 / 4,8
	Diskbänkar, tvättkar, rensluckor, ventilationssystem och liknande.	2 - 3 / 50 - 76	1/8 / 3,2 NPT	3/16 / 4,8	1/4 / 6,4
	Duschavlopp och golvbrunnar, laterala ledningar och fettfällor.	3 - 4 / 76 - 101	1/4 / 6,4 NPT	1/4 / 6,4	1/2 / 13
	Laterala ledningar och huvudledningar.	4 - 6 / 101 - 152	1/4 / 6,4 NPT	1/4 / 6,4	1/2 / 13
KJ-3100	Schakt, rensluckor och ventilation.	2 - 3 / 50 - 76	1/8 / 3,2 NPT	3/16 / 4,8	1/4 / 6,4
	Golvbrunnar, laterala ledningar och fettfällor.	3 - 4 / 76 - 101	1/4 / 6,4 NPT	3/8 / 9,5	5/8 / 16
	Laterala ledningar och huvudledningar.	4 - 10 / 101 - 250	1/4 / 6,4 NPT	3/8 / 9,5	5/8 / 16

## VALTABELL FÖR MUNSTYCKEN

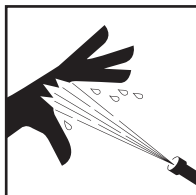
		Gängdim., tum / mm	1/8 / 3,2 NPT	1/4 / 6,4 NPT
		Slangdim. (innerdiameter), tum / mm	1/8 & 3/16 / 3,2 & 4,8	1/4 / 6,4
		Slangdim. (ytterdiameter), tum / mm	3/16 & 1/4 / 4,8 & 6,4	1/2 / 13
KJ-2200	Har tre strålar bakåt för maximal framdrivning vid spolning över långa avstånd. Använd det här munstycket för de flesta uppgifter.		<b>H-61</b>	<b>H-71</b>
	Använder tre strålar bakåt plus en stråle framåt för att penetrera hårt sittande fett- eller slam. Den framåtriktade strålen blåser upp ett litet hål i hindret och munstycket följer efter. Systemet är också mycket effektivt för att få bort isblock.		<b>H-62</b>	<b>H-72</b>
	Använd det ledade huvudet för att gå förbi svåra böjar. Det här munstycket har tre bakåtriktade strålar.		<b>H-64</b>	
	Använd det roterande munstycket för att rensa fett och liknande blockeringar från avloppet.		<b>H-65</b>	<b>H-75</b>



	Gängdim., tum / mm	1/8 / 3,2 NPT	1/4 / 6,4 NPT
	Slangdim. (innerdiameter), tum / mm	3/16 / 4,8	3/8 / 9,5
	Slangdim. (ytterdiameter), tum / mm	1/4 / 6,4	5/8 / 16
KJ-3100	Har fyra (4) strålar bakåt för maximal framdrivning vid spolning över långa avstånd. Använd det här munstycket för de flesta uppgifter.	H-101	H-111
	Använder tre strålar bakåt plus en stråle framåt för att penetrera hårt sittande fett- eller slam. Den framåtriktade strålen blåser upp ett litet hål i hindret och munstycket följer efter. Systemet är också mycket effektivt för att få bort isblock.	H-102	H-112
	Använd det ledade huvudet för att gå förbi svåra böjar. Det här munstycket har fyra (4) bakåtriktade strålar.	H-104	
	Använd det roterande munstycket för att få bort fett och liknande blockeringar från avloppet.	H-105	H-115
	Använd för att rensa bort rötter och andra slags blockeringar. OBS! Använd förlängningen för att stabilisera RR3000 vid rengöring av rör med 8" / 200 mm diameter.		

## Anvisningar för användning

### ⚠ VARNING



**Bär alltid ögonskydd för att skydda ögonen från smuts och andra föremål. Bär alltid lämplig personlig skyddsutrustning som passar arbetsmiljön.**

**Använd aldrig högtrycksrensaren med slangänden utanför avloppsröret. Slangen kan piska runt och orsaka allvarliga personskador, och strålen kan penetrera huden och orsaka allvarlig personskada.**

**Vätska under högt tryck kan injekteras under huden och orsaka allvarliga personskador inklusive amputation. Spruta aldrig på människor eller djur.**

**Använd inte högtrycksrensaren vid högre tryck än märktrycket och inte över 140°F / 60°C (inloppsvattnets temperatur). Detta ökar risken för elchock, inklusive brännskador, och skador på högtrycksrensaren.**

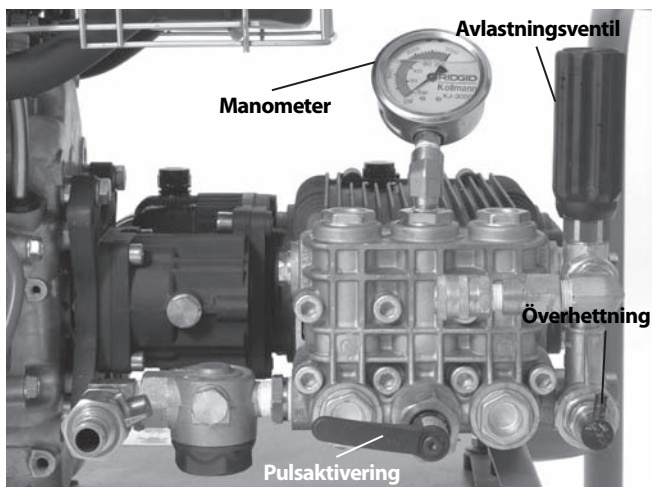
**En person måste styra både rensningsprocessen och fotventilen. Använd alltid fotventilen. Om rens-slangen kommer ut ur avloppsröret måste operatören kunna stänga av vattenflödet för att minska risken för att slangen piskar och orsakar slag och skador på grund av injektering och höga tryck.**

**Använd alltid lämplig personlig skyddsutrustning vid hantering och användning av utrustning för avloppsrensning. Avloppsrör kan innehålla kemikalier, bakterier eller andra ämnen som kan vara giftiga, smittande, irriterande m.m. Lämplig skyddsutrustning innefattar alltid skyddsglasö-**

**gon och skyddshandskar, och kan också innefatta utrustning som till exempel latex- eller gummi-handskar, ansiktsmasker, skyddsglasögon, skyddskläder, andningsutrustning och skyddsskor med stålhatta.**

**Följ anvisningarna för att minska risken för personskador från piskande slangar, injektering med högt tryck, kolmonoxid och andra orsaker.**

1. Kontrollera att maskinen och arbetsområdet är ordentligt förberedda och att arbetsområdet är fritt från kringstående och annat som kan distrahera. Om högtrycksrensaren placeras på avstånd från användningsstället måste ytterligare en person stå kvar vid högtrycksrensaren.
2. Sätt in änden på slangen med munstycket minst 3' / 90 cm så att änden på slangen inte kan komma ut ur avloppshålet och börja piska runt när maskinen startar.
3. Kontrollera att pulsaktiveringsspaken vrids moturs i tryckläget (Figur 16).
4. Öppna inloppsventilen. Starta aldrig motorn utan att vattentillförseln är PÅ. Detta kan skada pumpen.
5. Tryck på fotventilen för att sänka trycket och låta motorn starta. Kontrollera att vattnet flyter fritt genom munstycket. Följ anvisningarna för start i motorns bruksanvisning, och starta motorn. Låt motorn bli varm.



**Figur 13 – Reglage**

6. Vrid avlastningsventilen och övervaka samtidigt manometern medan du justerar trycket efter behov (medurs för att öka trycket, moturs för att minska trycket). Låt inte maskinens arbetstryck överskrida märktrycket. Använd inte överdriven kraft för att vrida avlastningsventilen, och använd inga skruvnycklar. Detta kommer att skada avlastningsventilen.

Högtrycksrensare	Tryck, PSI / bar
KJ-2200	2200 / 150
KJ-3100	3000 / 205

Om högtrycksrensaren inte ger märktrycket eller om den ger otillförlitligt tryck.

- Kontrollera att motorns gasreglage är korrekt justerat.
- Kontrollera att inloppsventilen är helt öppen och att andra ventiler i vattentillförseln är öppna.
- Vrid avlastningsventilen medurs för att öka trycket. Använd inte överdriven kraft.
- Kontrollera att pulsreglaget är inställt på "Pressure" (tryck).
- Ställ om pulsreglaget mellan lägena "Pressure" (tryck) och "Pulse" flera gånger medan enheten körs, för att frigöra all luft som kan finnas kvar i systemet.
- Kontrollera att det inte finns några läckor i systemet. Var försiktig under inspektionen och undvik personskador. Om du hittar läckor ska högtrycksrensaren stängas AV innan läckorna åtgärdas.
- Stäng AV högtrycksrensaren. Kontrollera inloppsfiltret/filterbrickan och se till att de inte är igensatta av skräp.
- Kontrollera att det finns tillräckligt vattenflöde till högtrycksrensaren.

- Stäng av högtrycksrensaren och inloppets ventiler. Flytta munstycket och rengör munstyckena med rengöringsverktyget.
  - Kör högtrycksrensaren utan munstycke på slangens för att ta bort luft eller skräp ur systemet. Stäng AV högtrycksrensaren innan du tar bort eller fäster munstycket.
7. Använd rätt arbetsställning.

- Se till att du kan kontrollera tillslag och frånslag med fotventilen. Tryck inte på fotventilen än.
- Håll god balans och sträck dig inte för långt.
- Du måste kunna hålla ena handen på högtrycksrensaren hela tiden för att styra och stötta slangens.
- Du måste kunna nå slangtrumman för att linda upp slangens.

Den här arbetsställningen hjälper dig hålla kontroll på högtrycksrensarens slang.




**Figur 14 – Rätt driftsställning**

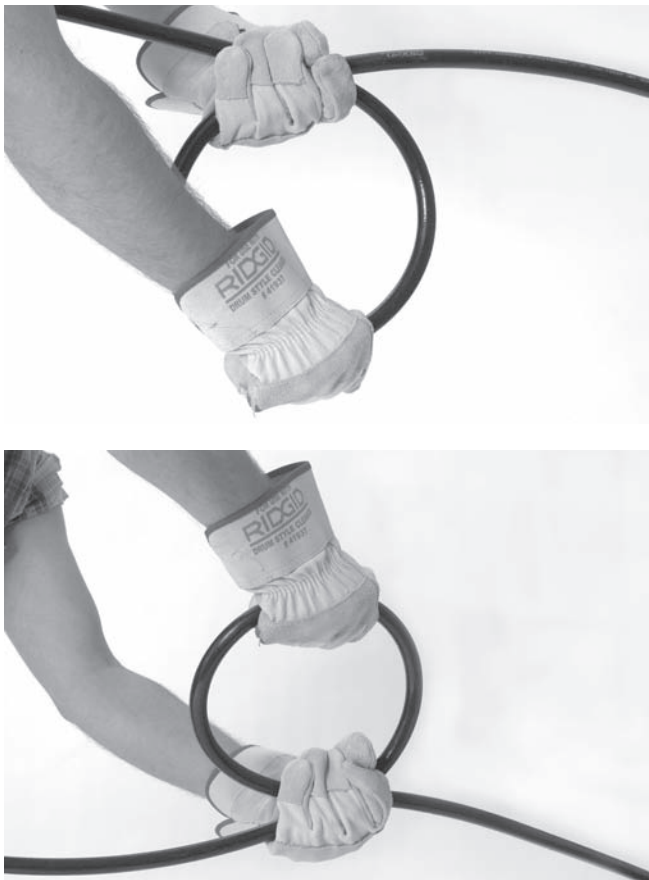
### Spola avloppet

När du spolat ett avloppsrör ska detta i regel göras genom att slangens skjuts in i röret hela vägen varefter den dras tillbaka. Detta gör att vatten under tryck riktas mot rörväggarna och smuts kan tas bort.

Lossa låstappen på slangvindan. När du är säker på att minst 3' / 90 cm slang är inne i röret - och med ena handen på slangens för att styra upp dess rörelse - kan du trycka på fotventilen. De reverserade jetstrålarna på munstycket hjälper till att dra in slangens i röret. Mata in slangens så långt som behövs för rengöringen. Om slangens inte går att mata fram längre så har den gått emot någon typ av hinder.

Om munstycket inte kan komma förbi ett hinder, till exempel en ändring av riktningen (vattenlås, böj osv.) eller en blockering.

- Stöt med slangen för att komma framåt.
- Vrid slangen ett kvarts varv till ett halvt varv för att orientera slangen enligt riktningsändringen (om slangen vridits en gång genom hindret ska du vrida den tillbaka igen så att den inte viker sig. Se figur 15.
- Använd pulsläget.  (se nästa avsnitt).
- Använd en slang för vattenlås eller en slang med mindre diameter.



**Figur 15 – Vrida slangen**

När du kommit förbi blockeringen bör du ta dig tid och låta systemet rengöra den sektionen innan du fortsätter framåt. Flytta dig någon meter förbi hindret och dra sedan tillbaka munstycket långsamt genom hinderområdet. Gör detta flera gånger och gå sedan vidare längre in i avloppsledningen.

Håll koll på vattennivån i avloppsledningen. Om vattennivån blir för hög kan det bli nödvändigt att stänga AV högtrycksrensaren och låta vattnet rinna ut innan

du fortsätter. Det är inte lika effektivt att fortsätta spola medan ledningen är full av vatten. Låt inte högtrycksrensaren gå under någon längre tidsperiod medan fotventilen är AV. När fotventilen är AV kommer vatten att cirkulera i pumpen vilket gör att vattnet värms upp. Detta kan göra att pumpens överhettningsskydd löser ut.

När munstycket befinner sig på önskad plats inne i ledningen kan du långsamt (1' / 30 cm per minut för tyngre ansamlingar) dra tillbaka munstycket genom avloppsledningen. Använd ena handen för att styra slangen och den andra för att linda upp slangen på slangvindan. Var noga med att munstycket inte kommer ut ur avloppsledningen medan vattentrycket är på (särskilt när munstycket befinner sig nära öppningen). I så fall kan slangen börja piska runt och det höga vätsketrycket kan orsaka skador. Du måste alltid kontrollera slangen. Titta efter märket på slangen nära munstycket. Släpp fotventilen för att stänga av vattenflödet.

Stäng AV motorn enligt anvisningarna i motorns bruksanvisning, och tryck på fotventilen för att nollställa systemtrycket. Lämna aldrig ett trycksatt system. Byt munstycke vid behov och fortsätt rengöringen enligt ovan. Flera pass rekommenderas genom en ledning för att rengöringen ska bli komplett.

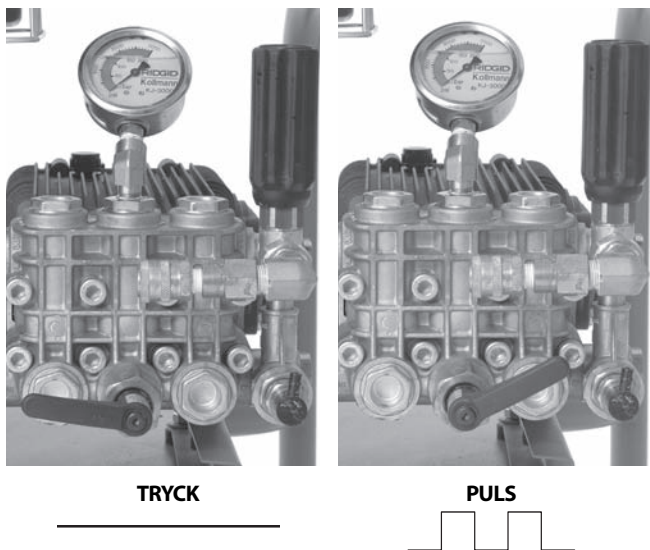
När du är klar och du har stängt av högtrycksrensaren kan du ta bort munstycket och öppna inloppsventilen för att spola ur pumpen och slangen. Om du använder högtrycksrensaren under kallt väder ska du omedelbart pumpa ut vattnet ur systemet så att det inte uppstår några frysskador. Se avsnittet *Förvaring av maskinen* för information om skydd mot kyla och frost.

### Använda pulsläget

När det inte räcker med att lirka fram slangen för att komma förbi en riktningsändring eller ett hinder ska pulsläget användas. Pulsläget ger en stor variation i vattentrycket, något som gör att slangen vibrerar och gör det lättare att mata fram slangen.

1. Vrid pulsmanöverreglaget medurs till läget "Pulse". I pulsläget kommer manometern att visa ett lägre tryck än det totala trycket. Detta är normalt.




**Figur 16 – Pulsaktiveringsspakens läge**

- Vid behov kan du stöta med slangen och även vrida slangen för att hjälpa den igenom hindret.
- När du kommit förbi hindret drar du pulsmanöverreglaget moturs till läget "Pressure" (tryck). Lämna inte högtrycksrensaren i pulsläget längre tid än vad som behövs för att passera förbi ett hinder. Överdriven användning av pulsläget kan göra att slangar och system slits ut i förtid.

### Använda högtrycksrensaren som högtryckstvätt

RIDGID vattenbaserade högtrycksrensare kan också användas som högtryckstvättar, genom en högtryckstvätttillsats. Användning av utrustningen som högtryckstvätt fungerar på liknande sätt som högtrycksrensning av rörledningar, och anvisningarna ska användas tillsammans med denna text.

- Lokalisera ett lämpligt arbetsområde.
- Kontrollera att all utrustning inspekterats ordentligt.
- Montera tvättverktyget vid slangen. Använd alltid en slang med ett märktryck som är minst lika högt som högtrycksrensarens märktryck. Använd gängtätningssmedel för att förhindra läckor.
- Fäst slangen vid högtrycksrensarens utlopp. Kontrollera att slangens ändrar är säkert anslutna så att de inte lossnar under tryck.
- Anslut lämplig vattentillförsel till högtrycksrensaren, enligt tidigare beskrivning.
- Öppna inloppsvattenventilen och tryck på avtryckaren på tvättverktyget så att vattnet börjar spruta och pressar ut all luft från systemet. Starta aldrig motorn utan att vattentillförseln är PÅ. Detta kan skada pumpen.

- Kontrollera att pulsaktiveringsspaken vrids moturs i tryckläget.
- Justering av tvättverktygsmunstycket – Du kan rotera munstycket om du vill ändra tvättmönstret från en smal stråle till en bred solfjäderformad dusch. Trycket kan justeras genom att dra munstycket framåt (lågt tryck) eller bakåt (høgt tryck). Kontrollera att munstycket har dragits tillbaka till högtrycksläget för att starta driften.


**Figur 17 – Justering av tvättverktygets munstycke**

- Låsning av tvättverktyget – tvättverktyget har en låsningsfunktion baktill på avtryckaren. Fäll ut låset för att stoppa avtryckaren från att aktiveras när tvättverktyget inte används.
- Rikta verktyget i en säker riktning och tryck på avtryckaren för att sänka trycket så att motorn kan startas. Följ anvisningarna för start i motorns bruksanvisning, och starta motorn. Låt motorn bli varm. Släpp avtryckaren så snart som motorn startar.
- Håll verktyget i en säker riktning och tryck på avtryckaren. Vrid avlastningsventilen och läs samtidigt av manometern, så att du kan justera trycket efter behov. Överskrid inte maskinens märktryck. Släpp tvättverktygets avtryckare.

### Använda högtryckstvätten

- När du använder en högtryckstvätt ska du hålla med båda händerna och rikta tvättverktyget så att du alltid har god kontroll. Rikta aldrig strålen mot andra personer. Vätska under høgt tryck kan injekteras under huden och orsaka allvarliga personskador. Rikta aldrig tvättverktyget mot elektrisk utrustning eller elektriska kablar - det finns risk för elchock.
- Reglera vattenflödet med avtryckaren. Var försiktig när du använder högtryckstvätten. Om munstycket hålls för nära en yta kan ytan skadas. Testa på en liten och obetydlig yta och kontrollera att inställningarna fungerar.
- Låt inte högtrycksrensaren gå under någon längre tidsperiod medan avtryckaren är AV. När avtryckaren är AV kommer vatten att cirkulera i pumpen vilket gör att vattnet värms upp. Detta kan göra att pumpens överhettningsskydd löser ut.



- När du tvättat klart släpper du avtryckaren och stänger AV motorn enligt beskrivningen i motorns bruksanvisning. Tryck på avtryckaren för att släppa ut systemtrycket. Lämna aldrig ett trycksatt system.

### Inspjutare för rengöringsmedel.

- Fäst insprutaren för rengöringsmedel till utloppsporten. Ta bort utgångsslangen och fäst insprutaren för rengöringsmedel så att pilen på enheten pekar i samma riktning som vattenflödet. Använd gängtättningsmedel för att motverka läckor. Sätt fast utgångsslangen igen.
- Fäst sifonslangen vid insprutaren för rengöringsmedel. Fäst slangänden med silen i tanken för rengöringsmedel. Använd endast de rengöringsmedel som är godkända för användning tillsammans med högtryckstvättar. Följ anvisningarna för rengöringsmedel. Spruta inte brandfarliga vätskor eller giftiga kemikalier. Andra rengöringsmedel, lösningsmedel eller liknande kan skada högtrycksrensaren eller orsaka allvarliga personskador.
- Vid användning av högtryckstvätt matas rengöringsmedlet bara fram när tvättverktygets munstycke är i lågtrycksläget. Skjut munstycket framåt till lågtrycksläget för att mata fram rengöringsmedel.
- Under användning kan du justera frammatningshastigheten för rengöringsmedlet genom att vrida hylsan på insprutaren för rengöringsmedel. Vrid moturs för att öka mängden rengöringsmedel, vrid medurs för att minska mängden.
- När du är klar med appliceringen av rengöringsmedel kan du ta bort silen, lägga den i en spann med rent vatten och spola systemet rent från allt rengöringsmedel.

## Anvisningar för underhåll

### ⚠ VARNING

**Innan du utför något underhåll ska motorn vara avstängd och tändstiftskablarna urkopplade för att förhindra oavsiktlig start. Tryck på fotventilen eller avtryckaren för att sänka allt vätskestryck i systemet.**

**Bär alltid skyddsglasögon och handskar när du utför underhåll, så att du skyddar dig mot kemikalier och bakterier.**

### Rengöring

Slangen ska rengöras vid behov med varmt lödbrande vatten och/eller desinficeringsmedel. Låt inte vatten komma in i motorn eller i elsystemet. Rengör inte med högtryckstvätt. Torka av enheten med en fuktig trasa.

### Motor

Utför underhåll på motorn enligt den bruksanvisning som medföljer motorn.

### Pumpsmörjning

Kontrollera oljenivån i pumparna före användning. Placera högtrycksrensaren på en plan yta. Torka bort smuts och skräp från området runt oljestickan och ta bort oljestickan – kontrollera oljenivån. Fyll på SAE 30W-olja utan rengöringsverkan vid behov. Överfyll inte. Sätt tillbaka oljestickan.

Byt olja i pumpen efter de första 50 timmarnas drift och var 500:e drifttimme därefter. Ta bort pluggen på pumpens botten medan pumpen fortfarande är varm, och töm ut oljan i en lämplig behållare. Sätt tillbaka pluggen. Fyll på med cirka 32 oz / 0,9 kg SAE 30W-olja utan rengöringsverkan, och använd rekommenderad kontrollrutin.

### Smörjning av växellådan

Kontrollera oljenivån i växellådan före användning. Placera högtrycksrensaren på en plan yta. Torka bort smuts och skräp från området runt oljestickan och ta bort oljestickan – kontrollera oljenivån. Fyll på SAE 90W växellådsolja. Överfyll inte. Sätt tillbaka oljestickan.

Byt olja i växellådan med 500 drifttimmars intervall. Ta bort pluggen på växellådans botten medan växellådan fortfarande är varm, och töm ut oljan i en lämplig behållare. Sätt tillbaka pluggen. Fyll på med cirka 8 oz / 0,2 kg SAE 90W växellådsolja och använd rekommenderad kontrollrutin.

### Förbereda pumpen för förvaring vid kallt väder

**OBS** Om högtrycksrensaren ska förvaras vid förhållanden då temperaturen är nära eller under 32°F / 0°C måste högtrycksrensaren vara ordentligt preparerad. Om vatten fryser i pumpen kan pumpen skadas.

Det finns två sätt att förbereda högtrycksrensaren för förvaring vid kallt väder. Det första sättet är att öppna alla ventiler i systemet och använda tryckluft för att forcera ut vatten från systemet. Detta kan också användas för att få bort vatten ur slangarna.

Den andra metoden använder RV-frostskyddsmedel (frostskyddsmedel som inte innehåller etylenglykol). Använd inte frostskyddsmedel som innehåller etylenglykol i högtrycksrensarens pump. Etylenglykol får inte användas i avloppssystem.

- Fäst en 3' / 90 cm-slangsektion vid inloppsventilen och öppna ventilen.

- Placera slangänden i behållaren med RV-frostskyddsmedel.
- Ta bort munstycket från slangens ände.
- Starta högtrycksrensaren och kör den tills frostskyddsmedel kommer ut ur slangens ände.

## Tillbehör

### ⚠ VARNING

För att minska risken för allvarliga personskador ska du bara använda tillbehör som konstruerats och rekommenderats särskilt för användning med RIDGID högtrycksrensare. Tillbehör som passar andra verktyg kan vara farliga om de används med RIDGID högtrycksrensare.

## KJ-2200 Munstycken och slangar för högtrycksrensare

Katalognr.	Modell nr	Beskrivning	Slang in- terdiam. tum / mm	Slang yt- terdiam. tum / mm
64772	H-61	Framdrivningsmunstycke	1/8" / 3,2 mm NPT	
64777	H-62	Rensmunstycke	Passar 1/4" / 6,4 mm slang	
64782	H-64	Ledat munstycke		
82842	H-65	Roterande munstycke 2200		
64787	H-71	Framdrivningsmunstycke	1/4" / 6,4 mm NPT	
64792	H-72	Rensmunstycke	Passar 1/2" / 13 mm slang	
82852	H-75	Roterande munstycke 2200		
47592	H-1425	1/4" x 25' / 6,4 mm x 7,6 m	3/16 / 4,8	1/4 / 6,4
47597	H-1435	1/4" x 35' / 6,4 mm x 10,7 m	3/16 / 4,8	1/4 / 6,4
47602	H-1450	1/4" x 50' / 6,4 mm x 15,2 m	1/4" / 6,4 mm Rensslang	3/16 / 4,8
49272	H-1475	1/4" x 75' / 6,4 mm x 22,9 m	Orange	3/16 / 4,8
49277	H-1400	1/4" x 100' / 6,4 mm x 30,5 m		3/16 / 4,8
64732	H-1415	1/4" x 150' / 6,4 mm x 45,7 m		3/16 / 4,8
50002	HL-1	Flexibel ledare, 1/4" / 6,4 mm	1/8 / 3,2	3/16 / 4,8
50007	HL-2	Flexibel ledare, 1/2" / 13 mm	1/8 / 3,2	3/16 / 4,8
47607	H-1250	1/2" x 50' / 13 mm x 15,2 m	1/4 / 6,4	1/2 / 13
47612	H-1275	1/2" x 75' / 13 mm x 22,9 m	1/4 / 6,4	1/2 / 13
47617	H-1200	1/2" x 100' / 13 mm x 30,5 m	1/4 / 6,4	1/2 / 13
51587	H-1211	1/2" x 110' / 13 mm x 33,5 m	1/2" / 13 mm Tvättslang	1/4 / 6,4
49487	H-1215	1/2" x 150' / 13 mm x 45,7 m	Svart	1/4 / 6,4
51597	H-1220	1/2" x 200' / 13 mm x 61 m	1/4 / 6,4	1/2 / 13

## KJ-2200 Tillbehör för högtrycksrensare

Katalognr.	Modell nr	Beskrivning
62882	H-5	Minislangvinda (slang ingår inte)
64737	H-30	H-30 Vagn med slangvinda
62877	H-30 WH	H-30 Slang med slangvinda och 110' / 33,5 m x 1/2" / 13 mm slang
64077	HP-22	Högtryckstvättpaket, KJ-2200
64767	HW-22	Tvättverktyg, KJ-2200
51572	H-1235	Slang för tvättverktyg 1/2" / 13 mm x 35' / 10,7 m
48157	FV-1	Fotventil
66732	HF-4	Snabbkopplingslang
48367	H-25	Vinteranvändningssats
47542	H-21	Rengöringsverktyg för munstycken
67187	H-32	Jet Vac

## KJ-3100 Munstycken och slangar för högtrycksrensare

Katalognr.	Modell nr	Beskrivning	Slang innerdiam. tum / mm	Slang ytterdiam. tum / mm
38698	H-101	Framdrivningsmunstycke	1/8" / 3,2 mm NPT	
38713	H-102	Rensmunstycke	Passar 1/4" / 6,4 mm slang	
38703	H-104	Ledat munstycke		
38723	H-105	1/8" / 3,2 mm NPT roterande munstycke		
38693	H-111	Framdrivningsmunstycke	1/4" / 6,4 mm NPT	
38708	H-112	Rensmunstycke	Passar 3/8" / 9,5 mm slang	
38718	H-1155	1/4" / 6,4 mm NPT roterande munstycke		
16713	RR3000	Root Ranger-munstycke		
47592	H-1425	1/4" / 6,4 mm x 25' / 7,6 m Rensslang	3/16" / 4,8	1/4" / 6,4
47597	H-1435	1/4" / 6,4 mm x 35' / 10,7 m Rensslang	1/4" / 6,4 mm Rensslang	3/16" / 4,8
47602	H-1450	1/4" / 6,4 mm x 50' / 15,2 m Rensslang	Orange	3/16" / 4,8
49272	H-1475	1/4" / 6,4 mm x 75' / 22,9 m Rensslang		3/16" / 4,8
49277	H-1400	1/4" / 6,4 mm x 100' / 30,5 m Rensslang		3/16" / 4,8
64732	H-1415	1/4" / 6,4 mm x 150' / 45,7 m Rensslang		3/16" / 4,8
64827	H-3835	3/8" / 9,5 mm ID x 35' / 10,7 m Tvättslang	3/8" / 9,5	5/8" / 16
64832	H-3850	3/8" / 9,5 mm ID x 50' / 15,2 m Jet-/Tvättslang	3/8" / 9,5	5/8" / 16
64837	H-3810	3/8" / 9,5 mm ID x 100' / 30,5 m Tvättslang	3/8" / 9,5 mm Tvättslang	3/8" / 9,5
64842	H-3815	3/8" / 9,5 mm ID x 150' / 45,7 m Svart Tvättslang	3/8" / 9,5	5/8" / 16
64847	H-3820	3/8" / 9,5 mm ID x 200' / 61 m Tvättslang	3/8" / 9,5	5/8" / 16
64852	H-3825	3/8" / 9,5 mm ID x 250' / 76,2 m Tvättslang	3/8" / 9,5	5/8" / 16
64857	H-3830	3/8" / 9,5 mm ID x 300' / 91,4 m Tvättslang	3/8" / 9,5	5/8" / 16

## KJ-3100 Tillbehör för högtrycksrensare

Katalognr.	Modell nr	Beskrivning
62882	H-5	Minislangvinda
64862	H-38	Slangvinda (passar KJ-3100)
64902	H-38 WH	Slangvinda med slang 200' / 61 m x 3/8" / 9,5 mm innerdiameter (passar KJ-3100)
64797	HW-30	Tvättverktyg, KJ-3100
48367	H-25	Vinteranvändningssats
48157	FV-1	Fotventil
66732	HF-4	Snabbanslutningsslang (vinda till fotventil)
47542	H-21	Rengöringsverktyg för munstycken
67187	H-32	Jet Vac

## Förvaring av maskinen

**⚠ VARNING** Förvara högtrycksrensaren på ett väl ventilerat utrymme och skydda den från regn och snö. Förvara maskinen i ett låst utrymme på behörigt avstånd från barn och från personer som inte är vana vid högtrycksrensare. Den här maskinen kan orsaka allvarliga personskador i händerna på otränade användare. Se avsnittet *Underhåll* för information om förvaring i kallt väder. Se motorns bruksanvisning för specifik information om förvaring av motorn.

## Service och reparationer

### ⚠ VARNING

**Felaktigt utförd service eller reparation kan göra maskinen osäker att använda.**

Se avsnittet "Anvisningar för underhåll" för uppgifter om service. Problem som inte beskrivs där måste hanteras av behörig RIDGID-tekniker.

Utrustningen ska tas till ett oberoende auktoriserat RIDGID-servicecenter eller återsändas till fabriken.

För information om ditt närmaste RIDGID Independent Service Center, eller andra frågor om service och reparation:

- Kontakta närmaste RIDGID-distributör.
- Besök [www.RIDGID.com](http://www.RIDGID.com) eller [www.RIDGID.eu](http://www.RIDGID.eu) för att lokalisera närmaste RIDGID-representant.
- Kontakta RIDGID Technical Services Department på [rtctechservices@emerson.com](mailto:rtctechservices@emerson.com). Om du befinner dig i USA eller Kanada ringer du (800) 519-3456.

## Bortskaffande

Delar av högtrycksrensaren innehåller värdefulla material och kan återvinnas. Det finns företag som specialiserar sig på återvinning. Bortskaffa komponenterna i överensstämmelse med alla gällande bestämmelser. Kontakta återvinningsmyndigheten i din kommun för mer information.



**För EG-länder:** Elektrisk utrustning får inte kastas i hushållssoporna!

Enligt EU-direktivet 2002/96/EG om avfall som utgörs av eller innehåller elektriska eller elektroniska produkter måste elektrisk utrustning som inte längre kan användas samlas in separat och bortskaffas på ett miljömässigt korrekt sätt.

## Felsökning

PROBLEM	ORSAK	ÅTGÄRD
Högtrycksrensaren är igång men ger bara lågt eller inget tryck.	Otillräcklig vattentillförsel.	Kontrollera att vattentillförselkranen är <b>PÅ</b> . Kontrollera att högtrycksrensarens vatteninloppsventil är <b>PÅ</b> . Kontrollera att vattentillförselslangen inte är igensatt eller vikt, och att det inte står något tungt föremål på den och hindrar flödet.
Högtrycksrensaren går inte till fullt arbetstryck vid start.	Det finns luft kvar i systemet. Strålarna från munstyckena är blockerade.	Ta bort munstycket från slangen och kör högtrycksrensaren för att spola bort luft/skräp ur systemet. Ta bort munstycket och rengör munstycksöppningarna med rengöringsverktyget.
Högtrycksrensarens manometer varierar från 500 till fullt arbetstryck.	Strålarna från munstyckena är blockerade. Skräp eller luft har fastnat i systemet.	Demontera munstycket. Använd rengöringsverktyget för att rengöra munstycksöppningarna. Välj rätt trådstorlek och dra igenom respektive munstycksöppning för att ta bort skräp som kan ha fastnat. Demontera munstycket och sätt in slangen i avloppsledningen. Kör högtrycksrensaren för att få bort luft eller skräp som finns kvar.



# Højtryksrensemaskine

## KJ-2200/KJ-3100- højtryksrensemaskiner



KJ-3100



KJ-2200

### **⚠ ADVARSEL!**

Læs denne brugervejledning grundigt igennem, inden værktøjet tages i brug. Det kan medføre elektrisk stød, brand og/eller alvorlige kvæstelser, hvis indholdet i denne håndbog ikke læses og følges.

#### **KJ-2200/KJ-3100-højtryksrensemaskiner**

Notér serienummeret nedenfor, og opbevar produktserienummeret, som du finder på navneskiltet.

Serienr.

--

## Indhold

<b>Registreringsformular til maskinserienummer</b> .....	163
<b>Sikkerhedssymboler</b> .....	165
<b>Generelle sikkerhedsoplysninger</b> .....	165
Sikkerhed på arbejdsområdet.....	165
Elektrisk sikkerhed.....	165
Personlig sikkerhed .....	165
Værktøjets brug og vedligeholdelse .....	165
Service .....	166
<b>Sikkerhedsadvarsler knyttet til højtryksrensemaskinen</b> .....	166
<b>Beskrivelse, specifikationer og standardudstyr</b> .....	167
Beskrivelse .....	167
Standardudstyr.....	168
<b>Maskinsamling</b> .....	168
Motorolie.....	168
Pumpe-/gearolie.....	168
KJ-2200-transportvogn .....	169
KJ-3100-håndtagssamling .....	169
<b>Eftersyn før brug</b> .....	169
<b>Forberedelse af maskine og arbejdsområde</b> .....	171
Vandforsyning .....	172
Klargøring af afløbet .....	172
Slangeopsætning .....	173
SKEMA OVER SLANGEVALG TIL HØJTRYKSRENSEMASKINE .....	174
SKEMA OVER DYSEVALG TIL HØJTRYKSRENSEMASKINE.....	174
<b>Betjeningsvejledning</b> .....	175
Højtryksrensning af afløbet .....	176
Brug af pulseringstilstanden .....	177
Brug af højtryksrensemaskinen som trykreenser .....	178
Betjening af trykreenser.....	178
Rensemiddelinjektor.....	179
<b>Vedligeholdelsesvejledning</b> .....	179
Rengøring .....	179
Motor.....	179
Pumpesmøring.....	179
Gearolie .....	179
Klargøring af pumpen til opbevaring i koldt vejr.....	179
<b>Tilbehør</b> .....	180
<b>Maskinens opbevaring</b> .....	181
<b>Service og reparation</b> .....	181
<b>Bortskaffelse</b> .....	181
<b>Fejlfinding</b> .....	182
<b>Livstidsgaranti</b> .....	Bagside

\* Oversættelse af den originale brugsanvisning

## Sikkerhedssymboler

I denne brugervejledning og på selve produktet anvendes sikkerhedssymboler og -ord til at formidle vigtige sikkerhedsoplysninger. Dette afsnit indeholder yderligere oplysninger om disse ord og symboler.



Dette er symbolet for en sikkerhedsmeddelelse. Symbolet bruges til at gøre dig opmærksom på eventuel fare for kvæstelser. Følg alle sikkerhedsmeddelelser, der efterfølger dette symbol, for at undgå eventuel kvæstelse eller dødsfald.



**FARE** FARE angiver en farlig situation, som vil resultere i død eller alvorlige kvæstelser, hvis den ikke undgås.



**ADVARSEL** ADVARSEL angiver en farlig situation, som kan resultere i død eller alvorlige kvæstelser, hvis den ikke undgås.



**FORSIGTIG** FORSIGTIG angiver en farlig situation, som kan resultere i mindre eller moderate kvæstelser, hvis den ikke undgås.



**BEMÆRK** BEMÆRK angiver oplysninger, der vedrører beskyttelse af ejendom.



Dette symbol betyder, at du bør læse brugervejledningen grundigt, før du anvender udstyret, for at mindske risikoen for kvæstelser. Brugervejledningen indeholder vigtige oplysninger om sikker og korrekt brug af udstyret.



Dette symbol betyder, at du altid skal bære sikkerhedsbriller med sideværn eller beskyttelsesbriller, når du håndterer eller anvender dette udstyr, for at mindske risikoen for øjenskader.



Dette symbol advarer om risikoen ved at rette vand under højtryk mod kropsdele, hvilket kan forårsage hudgennemtrængning og injiceringskader.



Dette symbol advarer om, at højtryksrensere maskinens slange kan piske rundt og forårsage slag- eller injiceringskader.



Dette symbol advarer om risikoen for at indånde kulilte, hvilket kan fremkalde kvalme, besvimelse eller dødsfald.



Dette symbol advarer om brand- og eksplosionsfare fra benzin eller andre kilder, der kan forårsage forbrændinger og anden personskade.

## Generelle sikkerhedsoplysninger

### ADVARSEL

Læs og forstå alle vejledninger. Det kan medføre elektrisk stød, brand og/eller alvorlig personskade, hvis anvisningerne ikke følges.

### GEM DENNE VEJLEDNING!

### Sikkerhed på arbejdsområdet

- **Hold arbejdsområdet rent, og sørg for god belysning.** Rodede arbejdsbænke eller mørke områder øger risikoen for ulykker.
- **Brug ikke maskinværktøj i eksplosive atmosfærer, f.eks. i nærheden af brændbare væsker, gasser eller støv.** Maskinværktøj danner gnister, som kan antænde støv eller dampe.
- **Hold uvedkommende, børn og besøgende væk, mens maskinværktøjet bruges.** Du kan miste kontrollen over værktøjet, hvis du bliver distraheret.

### Elektrisk sikkerhed

- **Undgå kropskontakt med jordede overflader, f.eks. rør, radiatorer, komfurer og køleskabe.** Der er en øget risiko for elektrisk stød, hvis din krop har jordforbindelse.

### Personlig sikkerhed

- **Vær opmærksom, pas på med, hvad du foretager dig, og brug almindelig sund fornuft ved brug af et maskinværktøj. Brug ikke et værktøj, når du er træt eller påvirket af stoffer, alkohol eller medicin.** Et øjeblik uopmærksomhed, mens du bruger maskinværktøjet, kan medføre alvorlige kvæstelser.
- **Brug fornuftigt arbejdstøj. Bær ikke løstsiddende tøj eller smykker. Bind langt hår op. Hold hår, tøj og handsker væk fra bevægelige dele.** Løst tøj, smykker eller langt hår kan blive fanget i bevægelige dele.
- **Brug ikke værktøjet i uhensigtsmæssige arbejdsstillinger. Hav altid ordentligt fodfæste og god balance.** Et godt fodfæste og en god balance giver bedre kontrol over værktøjet i uventede situationer.
- **Brug sikkerhedsudstyr. Brug altid beskyttelsesbriller.** Støvmaske, skridsikkert sikkerhedsfodtøj, hjelm eller høreværn skal benyttes under de relevante forhold for at undgå personskade.

### Værktøjets brug og vedligeholdelse

- **Forsøg ikke at forcere værktøjet. Brug det korrekte værktøj til formålet.** Det korrekte værktøj udfører opgaven bedre og mere sikkert i den hastighed, som det er blevet konstrueret til.

- **Brug ikke maskinværktøjet, hvis kontakten ikke slår værktøjet TIL og FRA.** Ethvert maskinværktøj, som ikke kan styres med kontakten, er farligt og skal repareres.
- **Opbevar værktøj, der ikke er i brug, utilgængeligt for børn og andre uerfarne personer.** Værktøjer er farlige i hænderne på uerfarne brugere.
- **Vær omhyggelig med vedligeholdelse af værktøjer. Hold skæreværktøjer skarpe og rene.** Det er mindre sandsynligt, at værktøjer med skarpe skær binder, når de er korrekt vedligeholdt, og de er nemmere at kontrollere.
- **Kontrollér, om bevægelige dele er fejljusteret eller binder, om der er ødelagte dele og andre forhold, som kan påvirke værktøjets drift. Hvis værktøjet er beskadiget, skal det repareres inden brug.** Mange ulykker skyldes dårligt vedligeholdt værktøj.
- **Brug kun tilbehør, der anbefales af producenten, til din model.** Tilbehør, der passer til én type værktøj, kan være farligt at bruge sammen med en anden type værktøj.

## Service

- **Eftersyn af værktøjet må kun udføres af kvalificerede reparatører.** Eftersyn og vedligeholdelse, der udføres af ukvalificeret personale, kan resultere i personskade.
- **Når der udføres eftersyn af værktøjet, må der kun bruges identiske reservedele. Følg anvisningen i afsnittet om vedligeholdelse i denne vejledning.** Brug af uautoriserede reservedele eller manglende overholdelse af vedligeholdelsesvejledningen kan medføre risiko for elektrisk stød eller personskade.

## Sikkerhedsadvarsler knyttet til højtryksrensere

### ⚠ ADVARSEL

Dette afsnit indeholder vigtige sikkerhedsoplysninger, der gælder specielt for dette værktøj.

Læs disse forholdsregler nøje, før du bruger denne afløbsrensere, for at mindske risikoen for elektrisk stød eller andre alvorlige kvæstelser.

### GEM ALLE ADVARSLER OG ANVISNINGER TIL SENERE BRUG!

Opbevar denne håndbog ved maskinen til operatørens brug.

- **Højtryksrensere må ikke betjenes med slangeenden uden for afløbet.** Slangen kan piske

rundt og forårsage alvorlig personskader fra slag eller ved at vandstrålen trænger gennem huden.

- **Vand under højtryk kan injiceres ind under huden og medføre alvorlig personskade, herunder amputation.** Ret ikke strålen mod andre mennesker eller dyr.
- **Højtryksrensere må ikke betjenes over det maksimale tryk eller 140°F / 60°C (tilgående vandtemperatur).** Dette øger risikoen for personskade herunder forbrændinger og beskadigelse af højtryksrensere.
- **En person skal kunne kontrollere både højtryksrensningen og fodventilen. Fodventilen skal altid bruges.** Hvis højtryksrensens slange kommer ud af afløbet, skal operatøren kunne afbryde vandforsyningen for at mindske risikoen for, at slangen pisker rundt og forårsager personskader fra slag eller højtryksinjicering.
- **Brug altid passende personligt beskyttelsesudstyr, når du håndterer eller bruger afløbsrensere.** Afløb kan indeholde kemikalier, bakterier og andre stoffer, der kan være giftige, smitsomme, forårsage forbrændinger eller andre problemer. Passende personligt beskyttelsesudstyr omfatter altid sikkerhedsbriller og handsker, og kan desuden omfatte udstyr som f.eks. latex- eller gummihandsker, ansigtsværn, beskyttelsesbriller, beskyttelsesbeklædning, gasmasker og fodtøj med stålarmring.
- **Udvis god hygiejne. Brug varmt sæbevand til at vaske hænder og andre kropsdele, der kommer i kontakt med afløbets indhold efter håndtering eller brug af udstyr til afløbsrensning.** Undlad at spise eller ryge, når du bruger eller håndterer udstyr til afløbsrensning. Dette forhindrer kontaminering med giftige eller smitsomme stoffer.
- **Udstyret må ikke bruges til at sprøjte med giftige eller brandfarlige væsker.** Derved mindskes risikoen for forbrænding og personskader forårsaget af brand, eksplosion m.m.
- **Benzin og benzengasser er ekstremt brandfarlige og eksplosive.** I motorvejledningen findes der oplysninger om, hvordan man mindsker risikoen for forbrændinger, eksplosioner og alvorlig personskade under håndtering og brug af benzin.
- **Motorer udsender kulilte, der hverken kan ses eller lugtes. Indånding af kulilte kan forårsage kvalme, besvimelse eller dødsfald.** Motoren må ikke startes og bruges i indelukkede rum, heller ikke med åbne døre og vinduer. Den må kun idriftsættes udendørs.



- **Varme overflader kan forårsage forbrændinger og brand.** Hold kropsdele og brandfarligt materiale væk fra varme overflader.
- **Denne vejledning, motorvejledningen samt advarslerne og anvisningerne knyttet til alt udstyret, der bruges sammen med denne enhed, skal læses og forstås før arbejdet påbegyndes.** Hvis du ikke følger samtlige advarsler og instruktioner, kan det medføre skader på ejendom og/eller alvorlig personskade.

EF-overensstemmelseserklæringen (890-011-320.10) er vedlagt denne vejledning i en særskilt brochure, når det er påkrævet.

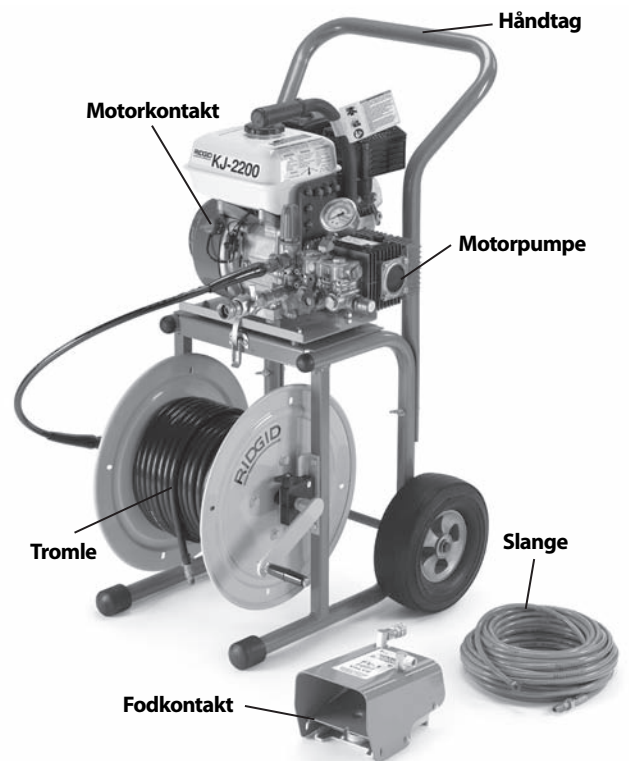
Hvis du har spørgsmål angående dette RIDGID®-produkt:

- Kontakt din lokale RIDGID-forhandler.
- Besøg [www.RIDGID.com](http://www.RIDGID.com) eller [www.RIDGID.eu](http://www.RIDGID.eu) for at finde dit lokale RIDGID-kontaktpunkt
- Kontakt RIDGIDs tekniske serviceafdeling på [rtctechservices@emerson.com](mailto:rtctechservices@emerson.com), eller ring på (800) 519-3456 i USA og Canada.

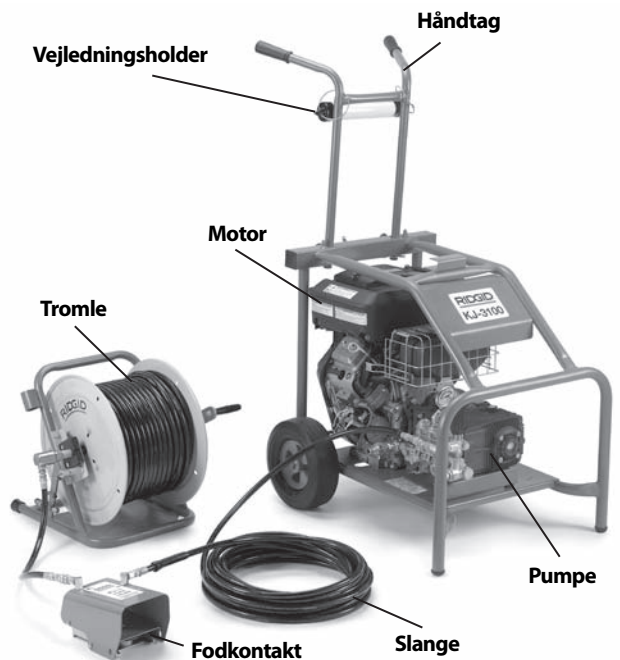
## Beskrivelse, specifikationer og standardudstyr

### Beskrivelse

De maskindrevne højtryksrensere fremstillet af RIDGID® er bærbare højtryksrensere, der bruger en kombination af vandtryk og -strømning til at fjerne fedt, slam, aflejringer og rødder fra afløb. En fleksibel og let slange drives gennem afløbet med hullerne bagtil på højtryksrensersens maskinens dyse. Den skyller materiale væk, når den trækkes ind. Når den pulserende funktion aktiveres, kan slangen lettere passere gennem vanskelige bøjninger og vandlåse. Alle maskiner er udstyret med en benzinator, der driver tripleks-stempelpumpen.



Figur 1 – KJ-2200-højtryksrensere



Figur 2 – KJ-3100-højtryksrenser



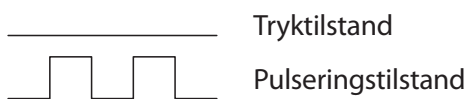
Figur 3 – Maskinserienummer

Maskinserienummeret er placeret på stellet. De sidste fire cifre angiver produktionsmåned og -år. (08 = måned, 10 = år.)

### Specifikationer

Højtryksrensemaskine Model	Motor HT	Tryk PSI / bar
KJ-2200	6.5 / 6,5	2200 / 150
KJ-3100	16	3000 / 205
Strømningskapacitet GPM / liter	Afløbsledningskapacitet tom. / mm	Vægt (med/uden slangetromle) pund / kg
2.4 / 9	1 1/4 - 6 / 32 - 152	65 / 30
5.5 / 20	2 - 10 / 50 - 250	262 / 119

### Ikoner



### Standardudstyr

Alle højtryksrensemaskiner fås med

- Passende dyser til højtryksrensning
- Dysersere
- FV-1-fodventil
- Motorvejledning

Se RIDGID-kataloget for oplysninger om det specifikke udstyr, der fås med hvert katalognummer.

**BEMÆRK** Denne maskine er fremstillet til rensning af afløb. Hvis den benyttes korrekt, beskadiger den ikke afløb, der er i god stand og udformet, konstrueret og vedligeholdt korrekt. Hvis afløbet er i dårlig stand, eller det ikke er udformet, konstrueret eller vedligeholdt kor-

rekt, vil afløbsrensningsprocessen eventuelt ikke være effektiv, eller den kan beskadige afløbet. Den bedste måde at fastlægge et afløbs tilstand på før rensning er ved en visuel inspektion med et kamera. U hensigtsmæssig brug af denne højtryksrensemaskine kan beskadige højtryksrensemaskinen og afløbet. Denne maskine vil eventuelt ikke kunne fjerne alle blokeringer.

## Maskinsamling

### ⚠ ADVARSEL

**For at forebygge mod risikoen for alvorlig personskade og maskinskade under brug, skal de følgende fremgangsmåder følges for korrekt samling.**

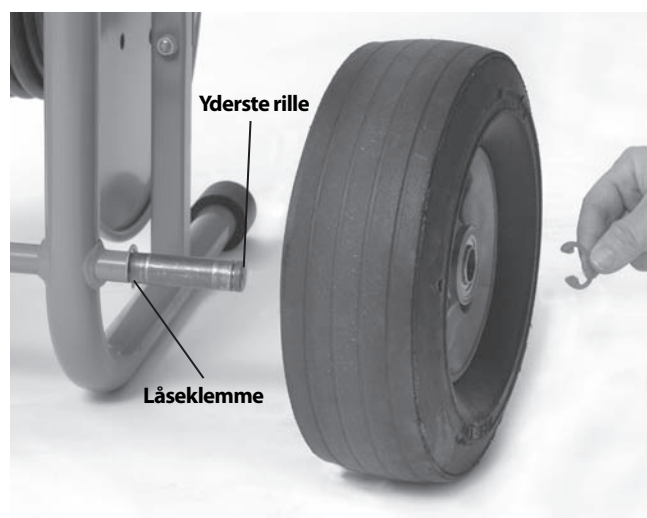
### Motorolie

**BEMÆRK** Højtryksrensemaskinen leveres uden olie i motoren. Hvis motoren bruges uden olie, vil det forårsage motorfejl. Fyld olie på motoren inden den tages i brug. Følg de specifikke oplysninger i den leverede motors betjeningsvejledning om påfyldning af olie og olievalg.

### Pumpe-/gearolie

**Pumpe:** Fjern proppen øverst på pumpen og erstat den med en målepind/åndelåg. Hvis højtryksrensemaskinen tages i brug med proppen indsat, kan pumpens pakninger tage skade. Kontroller oliestanden iht. *afsnittet Vedligeholdelsesvejledning*.

**Gearkasse (kun KJ3100):** Erstat proppen øverst på pumpen med en målepind/åndelåg. Hvis højtryksrensemaskinen tages i brug med proppen indsat, kan gearkassens pakninger tage skade. Kontroller smøremiddelstanden iht. *afsnittet Vedligeholdelsesvejledning*.



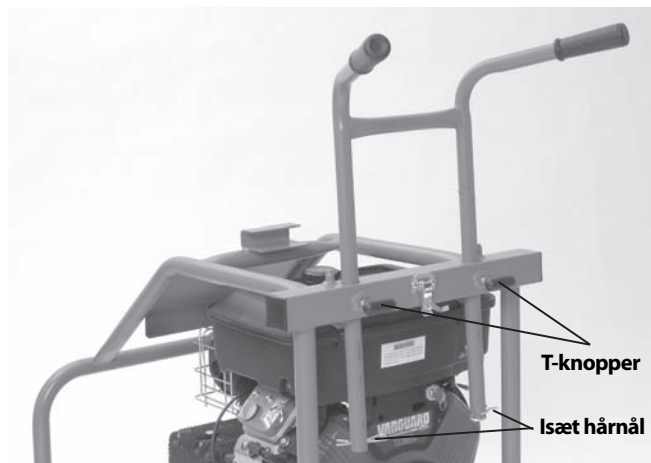
Figur 4 – Samling af KJ-2200

### KJ-2200-transportvogn

1. Fastgør låseklemmen i den inderste rille på hver akselende (Se figur 4).
2. Skyd et hjul hen over hver akselende.
3. Fastgør låseklemmen i den yderste rille på hver akselende for at fastholde hjulet.
4. Brug de medfølgende bærebolte og vingemøtrikker til at fastgøre håndtaget til stellet.
5. Løft motoren/pumpeenheten op på vognen, således at hullerne i bundpladen flugter med tapperne øverst på vognen. Brug låsene på vognen til at fastholde motoren/pumpen. Sørg for, at enheden sidder forsvarligt fast.

### KJ-3100-håndtagssamling

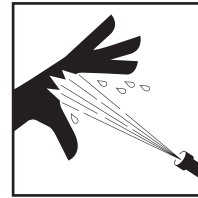
1. Indsæt håndtaget gennem de to huller i det bageste tværstykke på stellet. (Se figur 5).
2. Indsæt en hårnål gennem hullerne i bunden af håndtaget, således at håndtaget ikke kan trækkes af.
3. Skru T-knopperne ind i det bageste tværstykke. Juster håndtagene som ønsket og stram knopperne, indtil håndtaget sidder fast.



Figur 5 – KJ-3100-håndtagssamling

### Eftersyn før brug

#### ⚠ ADVARSEL



**Før du tager højtryksrensemaskinen i brug, skal du altid efterse den og afhjælpe eventuelle problemer for at reducere risikoen for alvorlig personskade forårsaget af vandet under højtryk m.m. samt for at reducere risikoen for at beskadige højtryksrensemaskinen.**

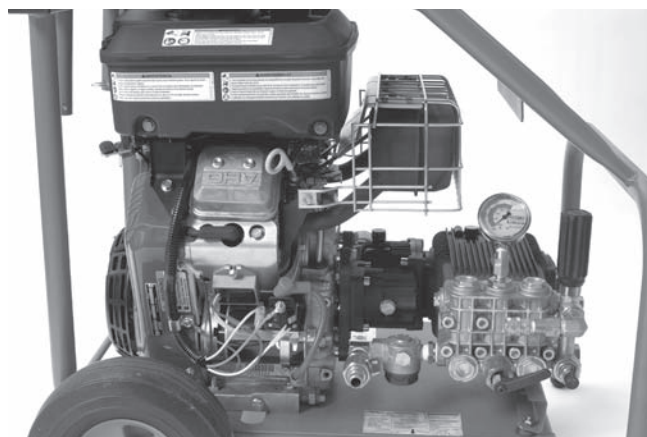
**Du skal altid bære sikkerhedsbriller, handsker og andet relevant beskyttelsesudstyr under eftersynet af din højtryksrensemaskine, så du er beskyttet mod kemikalier og bakterier på udstyret.**

1. Sørg for, at motorkontakten/nøglen er placeret i positionen OFF (FRA).
2. Rengør værktøjet for olie, fedt eller snavs – også på håndtag og kontroltaster. Dette hjælper ved eftersyn af maskinen og forhindrer, at den glider ud af hånden på dig.
3. Kontroller højtryksrensemaskinen og tilbehøret for følgende:
  - Korrekt samling, og at alle dele forefindes.
  - Dele, der er i stykker, slide, mangler, er forkert rettet ind, binder eller sidder løst.
  - At advarselsmærkater sidder på udstyret og kan læses. (Se figur 6).
  - Eventuelt andre forhold, der kan forhindre en sikker og normal funktion.

Observeres der problemer, må højtryksrensemaskinen ikke tages i brug, før problemerne er blevet løst.



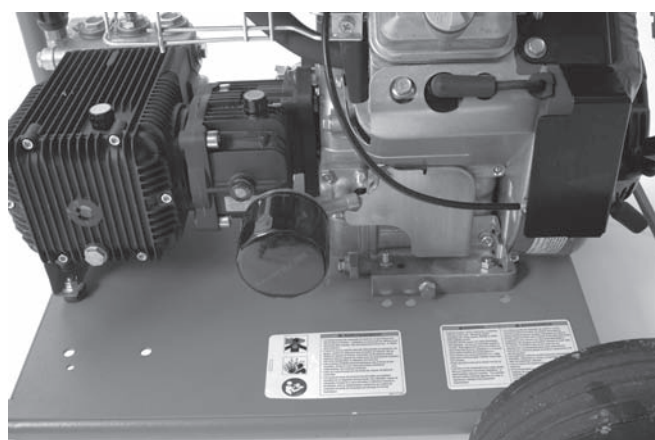
**Figur 6A – KJ-2200-advarselsmærkater**



**Figur 6D – KJ-3100-advarselsmærkater**

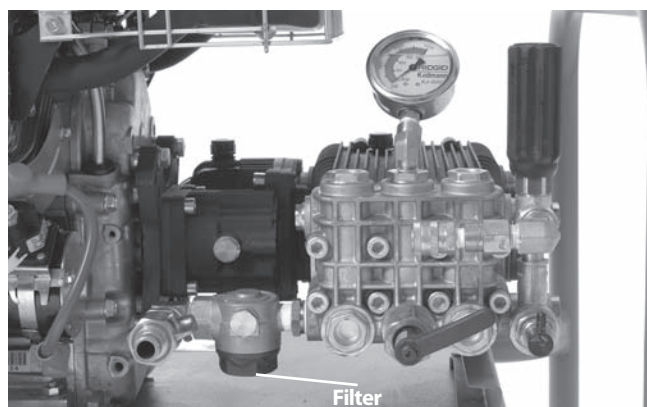


**Figur 6B – KJ-2200-advarselsmærkater**



**Figur 6C – KJ-3100-advarselsmærkater**

4. Rens vandindløbsfilteret/filterrenseren. Skru bunddækslet af indløbsfilteret og rens det. Snavs og materialer kan hæmme vandtilstrømningen til pumpen og forringe funktionen.

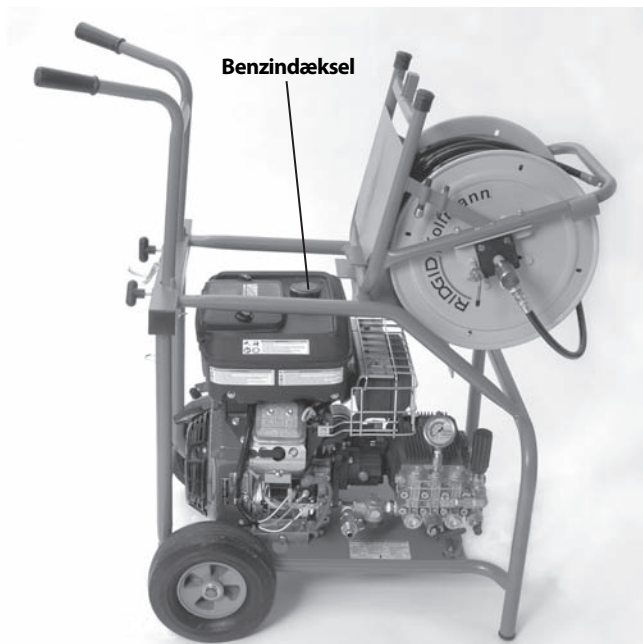


**Figur 7 – Indløbsfilter/filterrenser**

5. Efterse højtryksrensemaskinens dyseåbninger for skader eller blokering. Blokeringer kan fjernes med en dyserenser. Sørg nøje for, at du ikke udvider dyseåbningerne under rengøringen. Beskadede dyser eller dyser med udvidede åbninger kan forringe højtryksrensemaskinens funktion og bør udskiftes.
6. Efterse slanger, stik og samlinger for slid og skader. Hvis der findes bugtninger, revner, brud eller tegn på slid på slangens ydre kappe eller andre skader, må du ikke bruge slangen. Defekte slanger kan bryde eller lække vand under højtryk med alvorlig personskade til følge. Nye slanger og samlinger bør have en kapacitet svarende til eller højere end højtryksrensemaskinens tryk.
7. Efterse og vedligehold motoren som beskrevet i motorvejledningen.



8. Kontroller motorens brændstofstand. På KJ-3100-enheden skal slangetromlens låseanordning frakobles, og slangetromlen skal roteres fremad, indtil den hviler på stellet, således at der skabes adgang til motorens benzindæksel *figur 8*. Fyld blyfri benzin på efter behov. Nærmere oplysninger findes i motorvejledningen. Vær forsigtig under håndteringen af benzin. Fyld benzin på i et område med god udluftning. Fyld ikke for meget på tanken og spild ikke brændstof. Sørg for, at benzindækslet er forsvarligt lukket.



Figur 8 – KJ-3100 adgang til benzintank

9. Kontroller oliestanden i pumpen og gearkassen (hvis monteret) og fyld evt. mere olie på (se afsnittet *Vedligeholdelsesvejledning*).

## Forberedelse af maskine og arbejdsområde

### ▲ ADVARSEL



**Du skal altid bære sikkerhedsbriller, handsker og andet relevant beskyttelsesudstyr under opsætningen af din højtryksrensemaskine, så du er beskyttet mod kemikalier og bakterier på udstyret. Skridsikkert fodtøj med gummisåler kan forhindre, at man glider på våde underlag.**

**Motorer udsender giftgassen kulilte, der hverken kan ses eller lugtes. Indånding af kulilte kan forårsage kvalme, besvimelse eller dødsfald. Motoren må ikke startes og bruges i indelukkede rum, heller ikke med åbne døre og vinduer. Den må kun idriftsættes udendørs.**

**Indret højtryksrensemaskinen og arbejdsområdet iht. disse procedurer for at mindske risikoen for personskade som følge af vand under højtryk, kemiske forbrændinger, infektioner, kulilte m.m. og for at forebygge mod beskadigelse af højtryksrensemaskinen.**

1. Kontroller arbejdsområdet for:

- Tilstrækkelig belysning.
- Brændbare væsker, dampe eller antændeligt støv. Hvis sådanne antændelseskilder findes, skal du undlade at arbejde i området, indtil de er identificeret og fjernet. Højtryksrensemaskinen er ikke eksplosions sikker og kan fremkalde gnister.
- Et frit, plant, stabilt, tørt sted til maskine og bruger. Fjern om nødvendigt vandet fra arbejdsområdet. Området må ikke dækkes med træplader eller anden belægning.
- Højtryksrensemaskinen skal være placeret uden dørs i et område med god udluftning. Højtryksrensemaskinen må ikke placeres indendørs heller ikke med åbne døre og vinduer. Højtryksrensemaskinen skal kunne placeres på afstand af arbejdsstedet.
- Passende vandtilførsel.
- En ryddet sti til at transportere højtryksrensemaskinen til opsætningsstedet.

2. Inspicer det afløb, der skal renses. Fastlæg om muligt afløbets adgangspunkt(er), størrelse(r) og længde(r), afstanden til tanke eller hovedkloakrør, blokeringens art, tilstedeværelse af afløbsrensere eller andre kemikalier osv. Hvis der er kemikalier i afløbet, er det vigtigt at være bekendt med de særlige sikkerhedsforanstaltninger, der skal tages for arbejde i nærheden af disse kemikalier. Kontakt kemikalieproducenten for at få den nødvendige information.

Fjern efter behov inventar (toilet osv.) for at få adgang til afløbet. Før ikke slangen gennem fast inventar. Slangen eller det faste inventar kan tage skade.

3. Vælg det korrekte udstyr til opgaven. I *afsnittet Specifikationer* findes der oplysninger om disse højtryksrensemaskiner. Afløbsrensere og højtryksrensemaskiner til andre arbejdsopgaver kan ses i RIDGID-kataloget eller ved at gå ind på [www.RIDGID.com](http://www.RIDGID.com) eller [www.RIDGID.eu](http://www.RIDGID.eu).

- Sørg for, at alt udstyr har været til grundigt eftersyn.
- Vurder arbejdsområdet og afgør, om det er nødvendigt at sætte afspærring op for at holde uvedkommende ude. Uvedkommende kan distrahere brugeren. Hvis arbejdet udføres i nærheden af trafik, skal der opstilles kegler eller anden afspærring for at varsko trafikanterne.
- Opstil beskyttelseskærme i arbejdsområdet efter behov. Rensning af et afløb kan svine.
- Anbring højtryksrensemaskinen udendørs i området med god udluftning langs med den ryddede sti. Hvis maskinen skal løftes, skal du benytte de korrekte løfteteknikker. Vær meget forsigtig når udstyr flyttes op og ned ad trapper, hvor der er risiko for at glide. Benyt skridsikre sko.

## Vandforsyning

Kontroller, at vandtilstrømningen er stor nok til højtryksrensemaskinens drift. Før en slange fra vandforsyningen til højtryksrensemaskinen. Brug den største diameter, kortest mulige slange. En slange på  $\frac{3}{4}$ " / 19 mm I.D. er den mindste tilrådelige størrelse. En passende anordning til forebyggelse mod tilbageløb skal benyttes for at overholde alle lokale bestemmelser og vedtægter. Tænd for vandet ved forsyningen og tag tid på, hvor længe det tager at fylde en ren spand på 5 gal. / 18,9 liter. *I den følgende tabel vises hvor længe det maksimalt må tage at fylde spanden for hver højtryksrensemaskine*

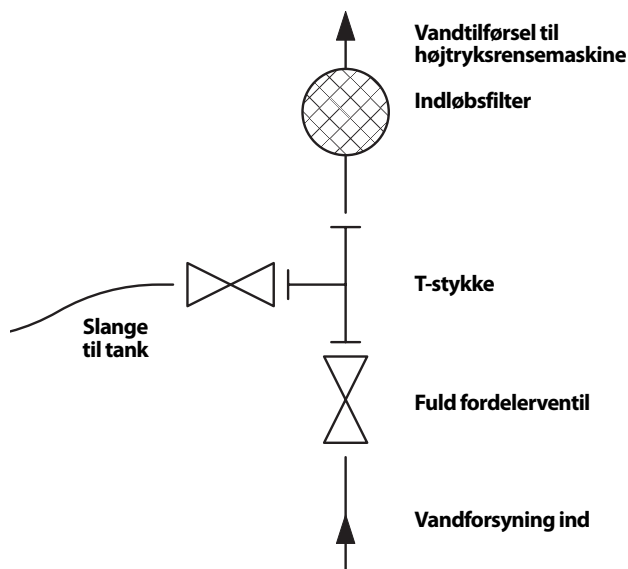
Højtryksrensemaskine	Maksimalt tryk GPM / liter	Maksimum 5 Gallon / 18,9 liter til at fylde spand
KJ-2200	2.4 / 9	125 sekunder
KJ-3100	5.5 / 20	55 sekunder

En utilstrækkelig vandstrømning vil forhindre højtryksrensemaskinen i at nå det nødvendige tryk, hvilket kan beskadige pumpen. Kontroller vandet i spanden for snavs og materiale. Snavs og materialer i vandforsyningen kan forårsage forøget pumpe slid, blokere højtryksrensemaskinens filtre, dyser og forringe funktionen. Brug ikke vand fra damme, søer eller fra andre steder, der kan være kontaminerede.

En utilstrækkelig vandstrømning kan afhjælpes ved f.eks. at bruge samlinger, hvor flere forsyningslanger kan tilsluttes højtryksrensemaskinen eller ved at gøre brug af en tank.

Hvis der bruges en tank, skal der bruges et t-stykke med fulde fordelerventiler til højtryksrensemaskinens vandindløb som vist på figur 9. Tilslut en slange på  $\frac{3}{4}$ " / 19 mm i en afstand på højst 6' / 1,8 m til ventilen på t-stykkets udløb og slut vandforsyningen til t-stykkets rør. Anbring enten slangeenden i tanken eller slut den

til tankens udløb. Tankslangens totale længde bør ikke overstige 5" / 12,7 cm over højtryksrensemaskinens vandindløb, for ellers kan højtryksrensemaskinen ikke trække vand fra tanken.



Figur 9 – Vandtilførelsestilslutninger ved brug af tank

Fyld tanken før du starter højtryksrensemaskinen. Når du starter højtryksrensemaskinen, skal du lukke for tankventilen. Så snart du starter højtryksrensemaskinen, skal du åbne for tankventilen. Hold øje med vandstanden i tanken og afbryd evt. højtrykrengningen, indtil tanken er fyldt op igen. Sørg for at vandstanden ikke falder under slangeenden.

Varmt vand kan bruges til at forbedre rensningen. Brug ikke vand, der er over 140°F / 60°C varmt – ellers åbnes pumpens overophedningsanordning. Når der bruges varmt vand, skal der benyttes passende beskyttelsesudstyr for at mindske risikoen for forbrændinger.

Når udstyret bruges i koldt vejr, skal der tages foranstaltninger for at undgå, at vandet fryser i pumpen. Dette kan beskadige pumpen.

Sørg for, at indløbsventilen på højtryksrensemaskinen er lukket og tilslut forsyningslangeren til højtryksrensemaskinen.

## Klargøring af afløbet

Hvis du arbejder i et mandehul, stormafløb eller en anden stor indgangsåbning, skal du bruge rør og samlinger til at lave et styr til højtryksrensemaskinen fra afløbets åbning til arbejdsstedet. Dette vil forebygge mod at højtryksrensemaskinens slange pisker rundt i indgangsåbningen og medvirke til, at slangen ikke beskadiges.



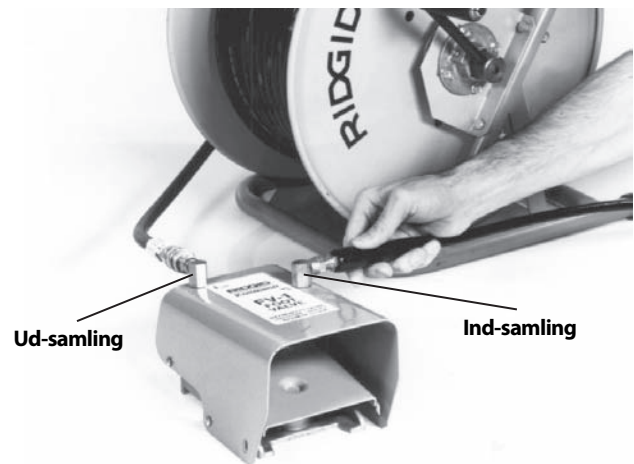
**Figur 10 – Forlængelse af afløbsåbningen til arbejdsstedet**

### Slangeopsætning

Vær forsigtig under slangeføringen af højtryksrensemaskinens slanger. Hvis slanger føres over ru overflader, skarpe kanter, tværgående slanger osv. kan det beskadige slangekappen, især når højtryksrensemaskinen bruges i pulserende tilstand. Skader på slangen kan begrænses ved at lade højtryksrensemaskinens slange sidde på tromlen.

1. Højtryksrensemaskinens slange skal have en passende størrelse i forhold til afløbet, der skal renses. Generelt frarådes man at sammenkoble to højtryksrensemaskineslanger ved rensningen af afløb. Sammenkoblingen af to slanger er mindre fleksibel og kan hæmme gennembløbet gennem samlinger. Se skemaet over slangevalg til højtryksrensemaskine.
2. Om nødvendigt kan du adskille slangetromlen fra motoren/pumpeenheten. Anbring slangetromlen inden for 3' / 90 cm fra afløbsåbningen. Sørg for at der ikke ligger for meget slange uden for afløbet for at forhindre, at slangen påføres skade. Hvis slangetromlen ikke kan placeres inden for 3' / 90 cm fra afløbsåbningen, skal afløbsåbningen forlænges tilbage til slangetromlen med rør og samlinger af samme størrelse.
3. Før en slange fra højtryksrensemaskinen til IN- (IND) samlingen på fodventilen. Brug teflontape til at forsegle tilslutningen. Anbring fodventilen, så den er helt tilgængelig. Du skal kunne styre højtryksrensemaskinens slange og fodventil.

4. Kobl slangen fra højtryksrensemaskinen til OUT- (UD) samlingen på fodventilen.

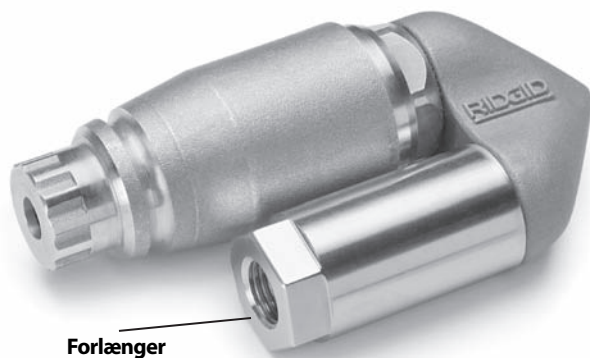


**Figur 11 – Fodventiltilslutning**

5. Sæt et mærke i enden af højtryksrensemaskinens slange, der angiver, hvornår dysen kommer for tæt på afløbets åbning under tilbagetrækningen. Dette vil modvirke, at dysen kommer op af afløbet og pisker rundt. Afstanden afhænger af afløbets konfiguration, men den bør være på mindst 4' / 1,2 m.
6. Fjern dysen fra enden af højtryksrensemaskinens slange og anbring enden af højtryksrensemaskinens slange i afløbet. Åbn indløbsventilen for at tømme højtryksrensemaskinen og slangerne for luft og materiale. Åbn for vandtilstrømningen i mindst 2 minutter.
7. Luk indgangsventilen.
8. Vælg en dyse. Brug dyser, hvis størrelse passer præcist til den brugte højtryksrensemaskine. Hvis der bruges forkerte dyser, kan det forringe funktionen (lavt driftstryk eller lav tilstrømning), eller højtryksrensemaskinen kan tage skade af for høje tryk. Sørg for, at dyseåbningerne er rensede og åbne. Se skemaet over dysevalg til højtryksrensemaskine.

Hvis RR3000-dysen bruges til afløb, der er større end 6" / 152 mm og op til 9" / 229 mm, skal forlænger bruges. Til afløb på 6" / 152 mm og mindre skal der ikke bruges forlænger. Om nødvendigt skal forlænger håndstrammes på RR3000 – uden at stramme for meget. Hvis RR3000-dysen bruges i et rør, der er større end 6" / 152 mm og op til 9" / 229 mm uden en forlænger, eller i rør, der er større end 9" / 229 mm, kan dysen ændre retning i afløbet, ramme brugeren og forårsage alvorlig personskade (figur 12).

9. Stram dysen godt til med hånden på slangens ende – den må ikke strammes for meget. Hvis dysen strammes for meget kan dysen tage skade, og funktionen kan forringes.
10. Indsæt slangen med dysen monteret i afløbet og åbn indløbsventilen. Kontroller, at vand strømmer uhæmmet gennem dysen og luk indløbsventilen.


**Figur 12 – RR3000-dyse med forlænger**
**SKEMA OVER SLANGEVALG TIL HØJTRYKSRENSEMASKINE**

Anvendelse		Rørstørrelse tom. / mm	Dysetørrelse tom. / mm	Slangestørrelse (ID) tom. / mm	Slangestørrelse (UD) tom. / mm
KJ-2200	Badeværelsesvaske, urinaler og smårør.	1 1/4 - 2 / 32 - 50	1/8 / 3,2 NPT	1/8 / 3,2	3/16 / 4,8
	Køkkenvaske, vaskekar og skakte, renseåbninger og luftkanaler.	2 - 3 / 50 - 76	1/8 / 3,2 NPT	3/16 / 4,8	1/4 / 6,4
	Brusekabine- og gulv afløb, grenrør og fedtsamlere.	3 - 4 / 76 - 101	1/4 / 6,4 NPT	1/4 / 6,4	1/2 / 13
	Grenrør og hovedrørledninger.	4 - 6 / 101 - 152	1/4 / 6,4 NPT	1/4 / 6,4	1/2 / 13
KJ-3100	Skakte, renseåbninger og luftkanaler.	2 - 3 / 50 - 76	1/8 / 3,2 NPT	3/16 / 4,8	1/4 / 6,4
	Gulv afløb, grenrør og fedtsamlere.	3 - 4 / 76 - 101	1/4 / 6,4 NPT	3/8 / 9,5	5/8 / 16
	Grenrør og hovedrørledninger.	4 - 10 / 101 - 250	1/4 / 6,4 NPT	3/8 / 9,5	5/8 / 16

**SKEMA OVER DYSEVALG TIL HØJTRYKSRENSEMASKINE**

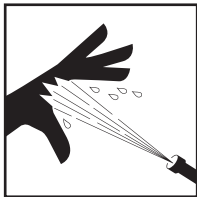
KJ-2200	<b>Gevindstørrelse, tom. / mm</b>	1/8 / 3,2 NPT	1/4 / 6,4 NPT
	<b>Slangestørrelse (indvendig diameter), tom. / mm</b>	1/8 og 3/16 / 3,2 og 4,8	1/4 / 6,4
	<b>Slangestørrelse (udvendig diameter), tom. / mm</b>	3/16 og 1/4 / 4,8 og 6,4	1/2 / 13
	Med 3 huller bagtil for maksimal fremdrift. Brug denne dyse til de fleste anvendelsesformål.	<b>H-61</b>	<b>H-71</b>
	Bruger tre huller bagtil samt et fremadrettet hul til at gennemtrænge fedt i fast form eller slam-blokeringer. De fremadrettede huller blæser et lille hul i blokeringen, som dysen kan følge efter. Den er også yderst effektiv til spuling af isblokeringer.	<b>H-62</b>	<b>H-72</b>
	Brug det leddelede hoved til at passere gennem vanskelige bøjninger. Denne dyse har tre huller bagtil.	<b>H-64</b>	
	Brug spindedysen til at fjerne fedt og tilsvarende blokeringer fra afløb.	<b>H-65</b>	<b>H-75</b>



KJ-3100	<b>Gevindstørrelse, tom. / mm</b>	1/8 / 3,2 NPT	1/4 / 6,4 NPT
	<b>Slangestørrelse (indvendig diameter), tom. / mm</b>	3/16 / 4,8	3/8 / 9,5
	<b>Slangestørrelse (udvendig diameter), tom. / mm</b>	1/4 / 6,4	5/8 / 16
	Med fire (4) huller bagtil for maksimal fremdrift. Brug denne dyse til de fleste anvendelsesformål.	<b>H-101</b>	<b>H-111</b>
	Bruger tre huller bagtil samt et fremadrettet hul til at gennemtrænge fedt i fast form eller slam-blokeringer. De fremadrettede huller blæser et lille hul i blokeringen, som dysen kan følge efter. Den er også yderst effektiv til spuling af isblokeringer.	<b>H-102</b>	<b>H-112</b>
	Brug det leddelte hoved til at passere gennem vanskelige bøjninger. Denne dyse har fire (4) huller bagtil.	<b>H-104</b>	
	Brug spindedysen som supplement til at fjerne fedt og tilsvarende blokeringer fra afløb.	<b>H-105</b>	<b>H-115</b>
Brug til rydning af rødder og andre typer blokeringer. BEMÆRK! Brug forlængerer til at stabilisere RR3000 under rensning af afløb på 8" / 200 mm i diameter.		<b>RR3000</b>	

## Betjeningsvejledning

### ▲ ADVARSEL



Bær altid beskyttelsesbriller for at beskytte dine øjne mod snavs og andre fremmedlegemer. Benyt altid personligt beskyttelsesudstyr, som arbejdsmiljøet fordrer.

Højtryksrensere maskinen må ikke betjenes med slangeenden uden for afløbet. Slangen kan piske rundt og forårsage alvorlige personskader fra slag eller ved at vandstrålen trænger gennem huden.

Væske under højtryk kan injiceres ind under huden og medføre alvorlig personskade, herunder amputation. Ret ikke strålen mod andre mennesker eller dyr.

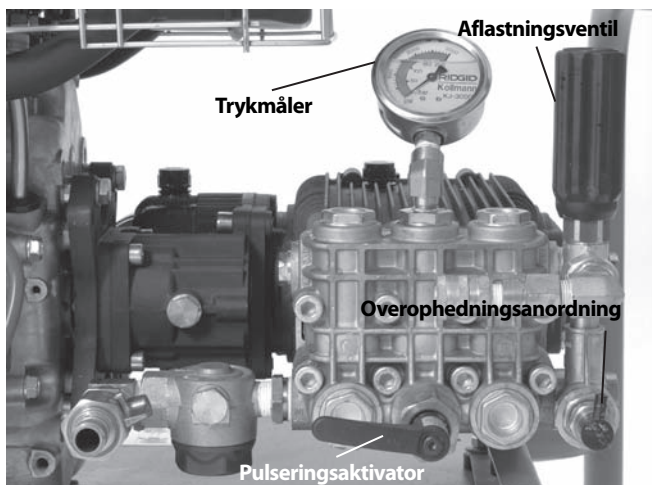
Højtryksrensere maskinen må ikke betjenes over det maksimale tryk eller 140°F / 60°C (tilgående vandtemperatur). Dette øger risikoen for personskade herunder forbrændinger og beskadigelse af højtryksrensere maskinen.

En person skal regulere både højtryksrensningen og fodventilen. Fodventilen skal altid bruges. Hvis højtryksrensere maskinens slange kommer ud af afløbet, skal operatøren kunne afbryde vandforsyningen for at mindske risikoen for, at slangen pisker rundt og forårsager personskader fra slag eller højtryksinjicering.

**Brug altid passende personligt beskyttelsesudstyr, når du håndterer eller bruger afløbsrensere. Afløb kan indeholde kemikalier, bakterier og andre stoffer, der kan være giftige, smitsomme, forårsage forbrændinger eller andre problemer. Passende personligt beskyttelsesudstyr omfatter altid sikkerhedsbriller og handsker, og kan desuden omfatte udstyr som f.eks. latex- eller gummihandsker, ansigtsskjerm, beskyttelsesbriller, beskyttelsesbeklædning, gasmasker og fodtøj med stålarmring.**

**Følg brugervejledningen for at reducere risikoen for personskader forårsaget af piskende slanger, højtryksinjicering af væsker, kulilteforgiftning m.m.**

1. Sørg for, at maskinen og arbejdsområdet er korrekt forberedt, og at der ikke findes uvedkommende personer eller andet, der virker distraherende, i arbejdsområdet. Hvis højtryksrensere maskinen er placeret på afstand af brugsstedet, skal en anden person være placeret ved højtryksrensere maskinen.
2. Før slangen med dysen monteret mindst 90 cm ned i afløbet, så slangeenden ikke kan komme op af afløbet og piske rundt, når maskinen startes.
3. Kontroller, at grebet til pulseringsaktivatoren er drejet mod uret til positionen "Pressure" (Tryk) (figur 16)
4. Åbn indgangsventilen. Du må aldrig starte motoren, uden at vandforsyningen er slået TIL. Dette kan beskadige pumpen.
5. Tryk på fodventilen for at mindske trykket og for at starte motoren. Kontroller, at vand strømmer uhæmmet gennem dysen. Start motoren som beskrevet i startanvisningerne i motorvejledningen. Lad motoren varme op.



**Figur 13 – Kontroltaster**

6. Drej på aflastningsventilen, imens du iagttager trykmåleren for at justere trykket efter behov (med uret for at øge trykket, mod uret for at sænke trykket). Trykket på maskinen må ikke overstige det maksimale. Du må ikke tvinge aflastningsventilen rundt eller bruge en rørtang til at dreje den rundt. Aflastningsventilen tager skade af det.

Højtryksrensemaskine	Trykkapacitet, PSI / bar
KJ-2200	2200 / 150
KJ-3100	3000 / 205

Hvis højtryksrensemaskinen ikke kan generere driftstrykket, eller det er uregelmæssigt:

- Sørg for, at motorens gasspjæld er korrekt justeret.
- Sørg for, at indgangsventilen er helt åben, og at andre ventiler i forsyningen er helt åbne.
- Drej aflastningsventilen mod uret for at øge trykket. Brug ikke unødigt kraft.
- Sørg for, at pulseringsaktivatoren er sat i positionen "Pressure" (Tryk).
- Sæt pulseringsaktivatoren i positionen "Pressure" (Tryk) og "Pulse" (Pulser) flere gange, mens enheden er aktiveret, for at fjerne evt. resterende luft i systemet.
- Eftersøg systemet for lækager. Vær forsigtig under eftersynet for at mindske risikoen for personskade. Hvis der findes lækager, skal du slå højtryksrensemaskinen FRA, før de udbedres.
- Slå højtryksrensemaskinen FRA. Kontroller indløbsfilteret/filterrenseren og sørg for, at de er renset for materialer.

- Sørg for, at der er tilstrækkelig vandtilstrømning til højtryksrensemaskinen.
- Slå højtryksrensemaskinen og indgangsventilen FRA. Fjern dysen og rens åbningerne med dyseren.
- Kør højtryksrensemaskinen uden dysen på slangen for at fjerne luft eller materiale fra systemet. Slå højtryksrensemaskinen FRA, før du fjerner eller monterer dysen.

7. Indtag en passende betjeningsstilling.

- Kontroller, at du kan slå udstyret TIL/FRA på fodventilen. Du må ikke trykke på fodventilen endnu.
- Sørg for, at du har en god balance og kan indtage en passende betjeningsstilling.
- Du skal til enhver tid kunne placere en hånd på højtryksrensemaskinens slange for at kunne styre og støtte slangen.
- Du skal kunne nå tromlen for at kunne oprulle slangen.

Med denne betjeningsstilling vil du kunne opretholde kontrollen med højtryksrensemaskinens slange.



**Figur 14 – Passende betjeningsstilling**


### Højtryksrensning af afløbet

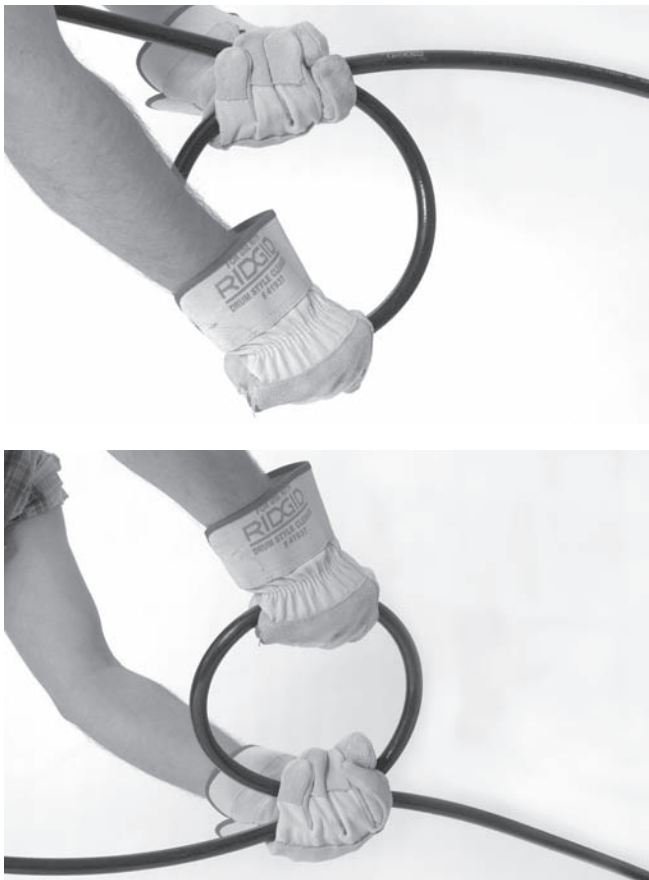
Under højtryksrensningen af et afløb, føres slangen normalt ned i afløbet i den fulde længde, der skal renses, og trækkes langsomt tilbage. Derved fjernes opboblinger, når vandstrålen rettes mod afløbets sider.

Løsn låsestiften på slangetromlen. Med mindst 3' / 90 cm af slangen ført ned i afløbet og en hånd på slangen for at styre dens bevægelse, kan du træde fodventilen ned.

Dysens huller bagtil vil medvirke til at trække slangen ned i afløbet. Før slangen så langt ned, som der skal renses. Hvis slangen stopper, er den stødt på en eller anden blokering.

Hvis dysen ikke kan passere igennem en blokering, såsom en retningsændring (lås, bøjning m.m.) eller en blokering.

- Brug slangens kraftige drivtryk.
- Drej slangen en kvart til en halv omgang for at rette slangens retning ind efter retningsændringen (Hvis slangen drejes en gang gennem blokeringen, skal du dreje slangen tilbage, så der ikke skabes bugtninger) *Se figur 15.*
- Brug pulseringstilstanden.  (se næste afsnit).
- Brug en vandlås-slange eller en slange med en mindre diameter.



**Figur 15 – Drejning af slangen**

Når blokeringen er forceret, skal du først rense det pågældende afsnit af afløbet, før du fortsætter. Fortsæt cirka én meter forbi det blokerede område og træk

langsomt slangen tilbage gennem det blokerede område. Gentag flere gange og fortsæt derefter længere ned i afløbet.

lagttag vandstanden i afløbet. Hvis vandstanden bliver for høj, kan det være nødvendigt at slå højtryksrensemaskinen FRA for at dræne afløbet for vand, før du fortsætter. Højtryksrensning i et rør fyldt med vand er mindre effektivt end i et tomt rør. Du må ikke lade højtryksrensemaskinen køre i længere tid med fodventilen slået FRA. Når fodventilen er slået FRA, recirkuleres vandet i pumpen, så vandet varmes op. Dette kan åbne får pumpens overophedningsanordning.

Når dysen er ført den ønskede længde ned i røret (1 ft / 30 cm i minuttet ved kraftige ophobninger i afløb), skal dysen trækkes tilbage gennem afløbet. Brug den ene hånd til at styre slangen og den anden til at vikle slange op på tromlen. Kontroller at dysen ikke kommer op af afløbet, mens der er vandtilstrømning, idet den nærmer sig afløbets åbning. Dette kan føre til, at slangen pisker rundt og forårsager personskade fra slag eller væsker under højtryk. Du skal altid have slangen under kontrol. Læg mærke til markeringen på slangen ved dysen. Slå fodventilen fra for at afbryde vandtilstrømningen.

Slå motoren FRA som beskrevet i motorvejledningen og tryk fodventilen ned for at udløse systemtrykket. Systemet må aldrig efterlades under tryk. Skift dysen om nødvendigt, og fortsæt rensning i henhold til ovenstående fremgangsmåde. Det anbefales at føre slangen gennem røret flere gange for at rense et afløb fuldstændigt.

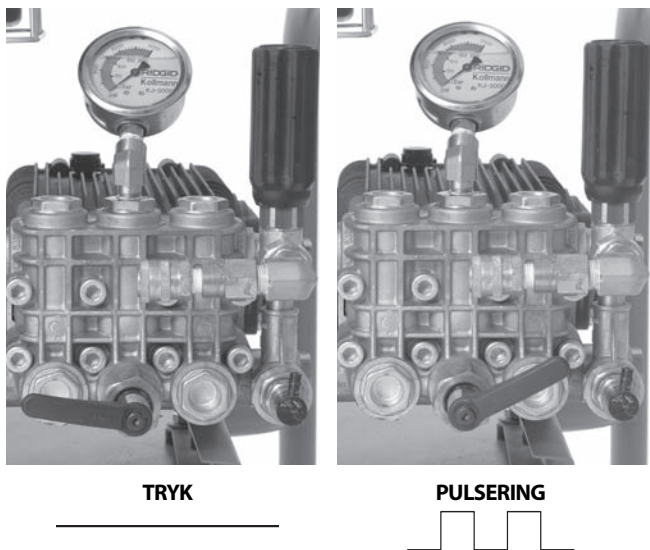
Når arbejdet er færdiggjort, og højtryksrensemaskinen er slået fra, skal dysen fjernes, og indgangsventilen skal åbnes for at skylle pumpen og slangen. Hvis højtryksrensemaskinen bruges i koldt vejr, skal vandet straks drænes fra systemet, så der ikke opstår fryseskader. Se afsnittet *Maskinens opbevaring* for at få oplysninger om, hvordan fryseskader undgås.

### **Brug af pulseringstilstanden**

Når slangen ikke kan styres gennem en retningsændring eller blokering, skal pulseringstilstanden bruges. Pulseringstilstanden fremkalder stor variation i vandtrykket, hvilket får slangen til at vibrere, så den kan føres videre.

1. Drej pulseringsaktivatorens greb med uret til positionen "Pulse" (Pulser). I pulseringstilstanden vil trykmåleren angive, at trykket er under maksimum. Dette er normalt.





**Figur 16 – Pulseringsaktivatorens grebposition**

2. Om nødvendigt kan slangens kraftige drivtryk og drejning af slangen bruges til at få dysen gennem blokeringen.
3. Når blokeringen er forceret, skal pulseringsaktivatorens greb drejes mod uret til positionen "Pressure" (Tryk). Efterlad ikke højtryksrensemaskinen i pulseringstilstanden i længere tid end det er nødvendigt for at passere gennem blokeringen. Hvis pulseringsfunktionen bruges for længe, kan slangerne og systemet påføres et for stort slid.

### Brug af højtryksrensemaskinen som trykrenser

RIDGID's højtryksrensemaskiner kan også bruges som trykrenser med den supplerende trykrensningspakke. Brugen som trykrenser svarer til brugen som højtryksrensemaskine, og disse anvisninger bør bruges i supplement til det følgende.

1. Find et passende arbejdsområde.
2. Sørg for, at alt udstyr har været til grundigt eftersyn.
3. Monter rensstangen på rensstangens slange. Brug altid slangen med en trykkapacitet, der svarer til højtryksrensemaskinens trykkapacitet. Brug en gevindtætning for at forhindre lækage.
4. Kobl slangen til højtryksrensemaskinens udløb. Sørg for, at slangens ender er forsvarligt tilkoblet, så de ikke ryger af under tryk.
5. Tilslut en passende vandtilførsel, som omtalt tidligere, til højtryksrensemaskinen.
6. Åbn indgangsventilen og tryk på rensstangens udløser for at åbne for vandtilstrømningen og for at

fjerne luft fra systemet. Du må aldrig starte motoren, uden at vandforsyningen er slået TIL. Dette kan beskadige pumpen.

7. Kontroller, at grebet til pulseringsaktivatoren er drejet mod uret til positionen "Pressure" (Tryk).
8. Justering af rensstangens dyse – Vaskemønstret kan justeres fra en fin stråle til en bred bruseragtig forstøver ved at dreje på dysen. Ved at hive ud i dysen (lavt tryk) og trykke den ind (højt tryk) kan trykket justeres. Sørg for, at dysen er trykket ind til højtrykspositionen, før arbejdet påbegyndes.



**Figur 17 – Justering af rensstangens dyse**

9. Rensstangens spærring – rensstangen er udstyret med en spærring bag på udløseren. Vip spærringen ned, så udløseren ikke kan betjenes, når rensstangen ikke er i brug.
10. Når stangen er rettet i en sikker retning, skal du trykke på rensstangens udløser for at fjerne trykket og tillade, at motoren kan startes. Start motoren som beskrevet i startanvisningerne i motorvejledningen. Lad motoren varme op. Slip udløseren når motoren starter.
11. Når stangen er rettet i en sikker retning, skal du trykke på rensstangens udløser. Drej på aflastningsventilen, mens du iagttager trykmåleren for at justere trykket efter behov. Trykket på maskinen må ikke overstige det maksimale. Slip rensstangens udløser.

### Betjening af trykrenser

1. Når udstyret bruges som trykrenser, øges kontrollen med det ved at bruge begge hænder til at holde og betjene rensstangen. Du må aldrig rette rensstangen mod mennesker. Væske under højtryk kan injiceres ind under huden og medføre alvorlig personskade. Rensstangen må aldrig rettes mod elektrisk udstyr eller el-ledninger for at mindske risikoen for elektrisk stød.
2. Regulér vandstrømningen med udløseren. Vær forsigtig når du bruger trykrenseren. Hvis du holder dysen for tæt på overflader, kan de tage skade. Kontroller at indstillingerne fungerer som ønsket ved at afprøve på et begrænset område, der ikke falder i øjnene.



3. Du må ikke lade højtryksrensemaskinen køre i længere tid med udløseren slået FRA. Når udløseren er slået FRA, recirkuleres vandet i pumpen, så vandet varmes op. Dette kan åbne for pumpens overophedningsanordning.
4. Når trykrensningen er gennemført, skal du slippe udløseren og slå motoren FRA som beskrevet i motorvejledningen. Tryk på udløseren for at udløse systemtryk. Systemet må aldrig efterlades under tryk.

### Rensemiddelinjektor

1. Tilslut om nødvendigt resemiddelinjektoren til udløbet Fjern udløbsslangen og tilslut resemiddelinjektoren med pilen på enheden pegende i samme retning som vandstrømningen. Brug gevindtætning for at forhindre lækage. Tilslut udløbsslangen igen.
2. Tilslut hævertslangen til resemiddelinjektoren Anbring slangens ende med sikurven i resemiddelbeholderen. Brug kun resemidler, der er beregnet til trykrensere. Følg alle resemidlets anvisninger. Sprøjt ikke med brandbare væsker eller giftige kemikalier. Andre resemidler, opløsningsmidler osv. kan ødelægge højtryksrensemaskinen eller forårsage alvorlig personskade.
3. Under trykrensning spredes resemidler kun, når resemidlets dyse er i lavtrykspositionen. Træk ud i dysen til lavtrykspositionen for at sprede resemiddel.
4. Under betjeningen kan mængden af resemiddel justeres ved at dreje på resemiddelinjektorens krave. Drej den mod uret for at øge mængden af resemiddel, og med uret for at formindske den.
5. Når anvendelsen af resemiddel er afsluttet, skal sikurven fjernes fra resemidlet og anbringes i en spand med rent vand. Skyl alt resemiddel ud af systemet.

## Vedligeholdelsesvejledning

### ▲ ADVARSEL

**Før der udføres vedligeholdelse skal motorkontakten være i positionen OFF, og tændrørsledningerne skal være frakoblet for at forhindre utilsigtet idriftsættelse. Tryk på fodventilen eller stangudløseren for at fjerne væsketrykket i systemet.**

**Du skal altid benytte sikkerhedsbriller og -handsker, når du udfører vedligeholdelse, så du er beskyttet mod kemikalier og bakterier fra afløbet.**

### Rengøring

Slangen skal rengøres efter behov med varmt sæbevand og/eller desinficerende midler. Lad ikke vand trænge ind i motoren eller det elektriske system. Rengøringen må ikke udføres med en trykrenser. Tør enheden af med en fugtig klud.

### Motor

Motoren skal holdes i stand som beskrevet i motorvejledningen, der blev leveret med enheden.

### Pumpesmøring

Kontroller pumpens oliestand før idriftsættelse. Anbring højtryksrensemaskinen på en jævn overflade. Tør snavs og materiale af ved målepinden og fjern målepinden – kontroller oliestanden. Fyld SAE 30W olie (ikke renseolie) på efter behov. Fyld ikke for meget på. Sæt målepinden i igen.

Skift olien i pumpen efter de første 50 driftstimer og efterfølgende hver 500 driftstimer. Mens pumpen stadig er varm efter brug, skal du fjerne pumpens bundprop og tømme olie ned i en passende beholder. Sæt proppen i igen. Fyld cirka 32 oz / 0,9 kg SAE 30W olie (ikke renseolie) på iht. kontrolproceduren.

### Gearolie

Kontroller gearkassens oliestand før idriftsættelse. Anbring højtryksrensemaskinen på en jævn overflade. Tør snavs og materiale af ved målepinden og fjern målepinden – kontroller oliestanden. Fyld SAE 90W gearolie på efter behov. Fyld ikke for meget på. Sæt målepinden i igen.

Skift gearolie efter hver 500 driftstime. Mens gearkassen stadig er varm efter brug, skal du fjerne gearkassens bundprop og tømme olie ned i en passende beholder. Sæt proppen i igen. Fyld cirka 8 oz / 0,2 kg SAE 90W gearolie på iht. kontrolproceduren.

### Klargøring af pumpen til opbevaring i koldt vejr

**BEMÆRK** Hvis højtryksrensemaskinen skal stilles til opbevaring, hvor temperaturen er i nærheden af eller under 32°F / 0°C, skal højtryksrensemaskinen klargøres på ordentlig vis. Hvis vand fryser i pumpen, kan den tage skade.

Højtryksrensemaskinen kan klargøres til opbevaring i koldt vejr på to måder. Den første er at åbne alle ventiler i systemet og bruge trykluft til at tvinge vand ud af systemet. Denne metode kan også bruges til at tømme slangerne for vand.

Den anden metode involverer brugen af RV frostvæske (frostvæske uden ethylenglycol). Fyld ikke frostvæske med ethylenglycol i højtryksrensemaskinens pumpe. Ethylenglycol må ikke bruges i afløbssystemer.

1. Kobl et slangeafsnit på 3' / 90 cm på indgangsventilen og åbn ventilen.
2. Anbring slangens ende i beholderen med RV frostvæske.

3. Tag dysen af slangens ende.
4. Start højtryksrensere og lad den køre indtil frostvæske kommer ud af slangens ende.

## Tilbehør

### ⚠ ADVARSEL

For at reducere risikoen for alvorlig personskade må du kun bruge det tilbehør, der er specielt designet og anbefalet til brug med RIDGID-højtryksrensere, som vist nedenfor. Andet tilbehør, der er egnet til brug med andre enheder, kan være farligt, når det bruges med RIDGIDs højtryksrensere.

## Dyser og slanger til KJ-2200-højtryksrensere

Katalog Nr.	Model Nr.	Beskrivelse	Slange I.D.	Slange U.D.
			tom. / mm	tom. / mm
64772	H-61	Fremadrettet dyse	$\frac{1}{8}$ " / 3,2 mm NPT	
64777	H-62	Gennemtrængningsdyse	Passer til slange på $\frac{1}{4}$ " / 6,4 mm	
64782	H-64	Leddelt dyse		
82842	H-65	Drejedyse 2200		
64787	H-71	Fremadrettet dyse	$\frac{1}{4}$ " / 6,4 mm NPT	
64792	H-72	Gennemtrængningsdyse	Passer til slange på $\frac{1}{2}$ " / 13 mm	
82852	H-75	Drejedyse 2200		
47592	H-1425	$\frac{1}{4}$ " x 25' / 6,4 mm x 7,6 m	$\frac{3}{16}$ / 4,8	$\frac{1}{4}$ / 6,4
47597	H-1435	$\frac{1}{4}$ " x 35' / 6,4 mm x 10,7 m	$\frac{3}{16}$ / 4,8	$\frac{1}{4}$ / 6,4
47602	H-1450	$\frac{1}{4}$ " x 50' / 6,4 mm x 15,2 m	$\frac{1}{4}$ " / 6,4 mm Vandlæsslange	$\frac{1}{4}$ / 6,4
49272	H-1475	$\frac{1}{4}$ " x 75' / 6,4 mm x 22,9 m	Orange	$\frac{3}{16}$ / 4,8
49277	H-1400	$\frac{1}{4}$ " x 100' / 6,4 mm x 30,5 m		$\frac{3}{16}$ / 4,8
64732	H-1415	$\frac{1}{4}$ " x 150' / 6,4 mm x 45,7 m		$\frac{3}{16}$ / 4,8
50002	HL-1	Fleksibel føring, $\frac{1}{4}$ " / 6,4 mm	$\frac{1}{8}$ / 3,2	$\frac{3}{16}$ / 4,8
50007	HL-2	Fleksibel føring, $\frac{1}{2}$ " / 13 mm	$\frac{1}{8}$ / 3,2	$\frac{3}{16}$ / 4,8
47607	H-1250	$\frac{1}{2}$ " x 50' / 13 mm x 15,2 m	$\frac{1}{4}$ / 6,4	$\frac{1}{2}$ / 13
47612	H-1275	$\frac{1}{2}$ " x 75' / 13 mm x 22,9 m	$\frac{1}{4}$ / 6,4	$\frac{1}{2}$ / 13
47617	H-1200	$\frac{1}{2}$ " x 100' / 13 mm x 30,5 m	$\frac{1}{4}$ / 6,4	$\frac{1}{2}$ / 13
51587	H-1211	$\frac{1}{2}$ " x 110' / 13 mm x 33,5 m	$\frac{1}{2}$ " / 13 mm Spuleslange	$\frac{1}{4}$ / 6,4
49487	H-1215	$\frac{1}{2}$ " x 150' / 13 mm x 45,7 m	Sort	$\frac{1}{4}$ / 6,4
51597	H-1220	$\frac{1}{2}$ " x 200' / 13 mm x 61 m	$\frac{1}{4}$ / 6,4	$\frac{1}{2}$ / 13

## Tilbehør til KJ-2200-højtryksrensere

Katalog Nr.	Model Nr.	Beskrivelse
62882	H-5	Mini slangetromle (uden slange)
64737	H-30	H-30-vogn med slangetromle
62877	H-30 WH	H-30-vogn med slangetromle og 110' / 33,5 m x $\frac{1}{2}$ " / 13 mm spuleslange
64077	HP-22	Højtryksrensepakke, KJ-2200
64767	HW-22	Rensetang, KJ-2200
51572	H-1235	Rensetangslange $\frac{1}{2}$ " / 13 mm x 35' / 10,7 m
48157	FV-1	Fodventil
66732	HF-4	Lynkoblingsslange
48367	H-25	Vinterklargøringsæt
47542	H-21	Dyserenser
67187	H-32	Jet Vac

## Dyser og slanger til KJ-3100-højtryksrensere

Katalog Nr.	Model Nr.	Beskrivelse	Slange I.D.	Slange U.D.
			tom. / mm	tom. / mm
38698	H-101	Fremadrettet dyse	1/8" / 3,2 mm NPT	
38713	H-102	Gennemtrængningsdyse	Passer til slange på 1/4" / 6,4 mm	
38703	H-104	Leddelt dyse		
38723	H-105	1/8" / 3,2 mm NPT drejedyse		
38693	H-111	Fremadrettet dyse	1/4" / 6,4 mm NPT	
38708	H-112	Gennemtrængningsdyse	Passer til slange på 3/8" / 9,5 mm	
38718	H-1155	1/4" / 6,4 mm NPT drejedyse		
16713	RR3000	Rodskæredyse		
47592	H-1425	1/4" / 6,4 mm x 25' / 7,6 m vandlåssslange	3/16" / 4,8	1/4" / 6,4
47597	H-1435	1/4" / 6,4 mm x 35' / 10,7 m vandlåssslange	3/16" / 4,8	1/4" / 6,4
47602	H-1450	1/4" / 6,4 mm x 50' / 15,2 m Orange vandlåssslange	3/16" / 4,8	1/4" / 6,4
49272	H-1475	1/4" / 6,4 mm x 75' / 22,9 m vandlåssslange	3/16" / 4,8	1/4" / 6,4
49277	H-1400	1/4" / 6,4 mm x 100' / 30,5 m vandlåssslange	3/16" / 4,8	1/4" / 6,4
64732	H-1415	1/4" / 6,4 mm x 150' / 45,7 m vandlåssslange	3/16" / 4,8	1/4" / 6,4
64827	H-3835	3/8" / 9,5 mm ID x 35' / 10,7 m renseslange	3/8" / 9,5	5/8" / 16
64832	H-3850	3/8" / 9,5 mm ID x 50' / 15,2 m Spule-/renseslange	3/8" / 9,5	5/8" / 16
64837	H-3810	3/8" / 9,5 mm ID x 100' / 30,5 m spuleslange	3/8" / 9,5	5/8" / 16
64842	H-3815	3/8" / 9,5 mm ID x 150' / 45,7 m Sort spuleslange	3/8" / 9,5	5/8" / 16
64847	H-3820	3/8" / 9,5 mm ID x 200' / 61 m spuleslange	3/8" / 9,5	5/8" / 16
64852	H-3825	3/8" / 9,5 mm ID x 250' / 76,2 m spuleslange	3/8" / 9,5	5/8" / 16
64857	H-3830	3/8" / 9,5 mm ID x 300' / 91,4 m spuleslange	3/8" / 9,5	5/8" / 16

## Tilbehør til KJ-3100-højtryksrensere

Katalog Nr.	Model Nr.	Beskrivelse
62882	H-5	Mini slangetromle
64862	H-38	Slangetromle (passer til KJ-3100)
64902	H-38 WH	Slangetromle med slange på 200' / 61 m x 3/8" / 9,5 mm ID (passer til KJ-3100)
64797	HW-30	Rensstang, KJ-3100
48367	H-25	Vinterklargøringsæt
48157	FV-1	Fodventil
66732	HF-4	Lynkoblingslange (tromle til fodventil)
47542	H-21	Dyserenser
67187	H-32	Jet Vac

## Maskinens opbevaring

**⚠ ADVARSEL** Højtryksrensere skal opbevares i et område med god udluftning og beskyttet mod regn og sne. Opbevar maskinen i et aflåst område og uden for børns og uvedkommende personers rækkevidde. Denne maskine kan forårsage alvorlige kvæstelser i hænderne på uerfarne brugere. Se afsnittet *Vedligeholdelse* for at få flere oplysninger om opbevaring i koldt vejr. Se motorvejledningen for specifikke oplysninger om motoropbevaring.

## Service og reparation

**⚠ ADVARSEL**

**Fejlbehæftet eftersyn eller reparation kan bevirke, at maskinen bliver farlig at bruge.**

I afsnittet *Vedligeholdelsesvejledning* findes oplysninger om de fleste af denne maskines servicebehov. Problemer, der ikke behandles i dette afsnit, bør kun løses af en autoriseret servicetekniker fra RIDGID.

Værktøjet bør undersøges på et uafhængigt autoriseret RIDGID-servicecenter eller sendes tilbage til fabrikken.

Hvis du ønsker oplysninger om det nærmeste uafhængige RIDGID-servicecenter, eller du har spørgsmål angående reparation og eftersyn:

- Kan du kontakte din lokale RIDGID-forhandler.
- Besøge [www.RIDGID.com](http://www.RIDGID.com) eller [www.RIDGID.eu](http://www.RIDGID.eu) for at finde dit lokale RIDGID-kontaktpunkt.
- Kontakte RIDGIDs tekniske serviceafdeling på [rtctechservices@emerson.com](mailto:rtctechservices@emerson.com), eller ringe til (800) 519-3456 i USA og Canada.

## Bortskaffelse

Dele af højtryksrensere indeholder værdifulde materialer og kan genbruges. I lokalområdet findes der evt. virksomheder, som specialiserer sig i genbrug. Bortskaf komponenter i overensstemmelse med alle gældende regler. Kontakt det lokale renovationsvæsen for yderligere oplysninger.



**For EU-lande:** Bortskaf ikke elektrisk udstyr sammen med husholdningsaffaldet!

I overensstemmelse med det europæiske direktiv 2002/96/EF om affald fra elektrisk og elektronisk udstyr og dets implementering i national lovgivning, skal udtjent elektrisk udstyr indsamles særskilt og bortskaffes på en miljømæssig korrekt måde.

## Fejlfinding

PROBLEM	ÅRSAG	AFHJÆLPNING
Højtryksrensemaskinen kører, men leverer begrænset eller intet tryk.	Utilstrækkelig vandforsyning.	Sørg for, at vandforsyningens vandhane er <b>TÆNDT</b> . Sørg for, at højtryksrensemaskinens indgangsventil er <b>ÅBEN</b> . Sørg for, at vandforsyningens slange er ryddet for blokeringer, ikke er buftet eller brudt sammen.
Højtryksrensemaskinen justeres ikke til fuldt driftstryk ved opstart.	Luft er fanget i systemet. Højtryksrensemaskinens dysehuller er blokeret.	Fjern dysen fra spuleslangen og start højtryksrensemaskinen for at skylle luft/materiale ud af systemet. Fjern dysen og rens hullernes åbninger med dyseren.
Højtryksrensemaskinens trykmåler svinger fra 500 til fuldt driftstryk.	Højtryksrensemaskinens dysehuller er blokeret. Materiale eller luft er fanget i systemet.	Fjern dysen. Brug dyseren til at rense dyseåbningerne; vælg den korrekte trådstørrelse og skub den helt gennem hver åbning for at fjerne materiale. Fjern dysen og indsæt spuleslangen i afløbet. Start højtryksrensemaskinen for at skylle fanget luft eller materiale ud.



# Høytrykksspyler

## KJ-2200/3100 høytrykksspylere



KJ-3100



KJ-2200

### **⚠ ADVARSEL!**

Les og forstå brukerhåndboken før du tar i bruk verktøyet. Hvis innholdet i brukerhåndboken ikke overholdes, kan det resultere i elektrisk støt, brann og/eller alvorlig personskade.

### **KJ-2200/3100 høytrykksspylere**

Skriv ned serienummeret nedenfor, og ta vare på produktets serienummer som du finner på navneskiltet.

Serie-  
nr.

--

## Innhold

<b>Registreringsskjema for maskinens serienummer</b> .....	183
<b>Sikkerhetssymboler</b> .....	185
<b>Generelle sikkerhetsregler</b> .....	185
Sikkerhet på arbeidsstedet .....	185
Elektrisk sikkerhet .....	185
Personlig sikkerhet .....	185
Bruk og vedlikehold av verktøyet .....	186
Service .....	186
<b>Sikkerhetsadvarsler for høytrykksspyleren</b> .....	186
<b>Beskrivelse, spesifikasjoner og standardutstyr</b> .....	187
Beskrivelse .....	187
Spesifikasjoner .....	188
Ikoner .....	188
Standardutstyr .....	188
<b>Montere maskinen</b> .....	188
Motorolje .....	188
Olje for pumpe/girkasse .....	188
KJ-2200 transportvogn .....	189
Montere KJ-3100 håndtak .....	189
<b>Inspeksjon før bruk</b> .....	189
<b>Klargjøring av maskin og arbeidsstedet</b> .....	191
Vannforsyning .....	192
Forberede avløpet .....	192
Slangeoppsett .....	193
TABELL FOR VALG AV HØYTRYKKSSLANGE .....	194
TABELL FOR VALG AV HØYTRYKKSDYSE .....	194
<b>Bruksanvisning</b> .....	195
Spyle avløpet med høytrykksvann .....	196
Bruke pulsmodus .....	197
Bruke høytrykksspyleren som en høytrykksvasker .....	198
Bruke høytrykksvasker .....	198
Rensemiddelinjektor .....	198
<b>Instruksjoner for vedlikehold</b> .....	199
Rengjøring .....	199
Motor .....	199
Smøre pumpen .....	199
Smøre girkasse .....	199
Forberede pumpen for kald oppbevaring .....	199
<b>Tilbehør</b> .....	199
<b>Oppbevare maskinen</b> .....	201
<b>Service og reparasjon</b> .....	201
<b>Avhending</b> .....	201
<b>Feilsøking</b> .....	201
<b>Livslang garanti</b> .....	Bakside

\* Oversettelse av den originale veiledningen

## Sikkerhetssymboler

I denne brukerhåndboken og på produktet formidles viktig sikkerhetsinformasjon gjennom symboler og signalord. Denne delen er utarbeidet for å bedre forståelsen av disse signalordene og symbolene.



Dette er et sikkerhetsadvarselssymbol. Det brukes for å advare om potensiell fare for personskade. Følg alle sikkerhetsadvarselser med dette symbolet for å unngå personskade eller dødsfall.

### FARE

FARE indikerer en farlig situasjon som vil føre til dødsfall eller alvorlig personskade hvis den ikke unngås.

### ADVARSEL

ADVARSEL indikerer en farlig situasjon som kan føre til dødsfall eller alvorlig personskade hvis den ikke unngås.

### FORSIKTIG

FORSIKTIG indikerer en farlig situasjon som kan føre til en mindre eller moderat personskade hvis den ikke unngås.

### MERK

MERK indikerer informasjon knyttet til beskyttelse av eiendom.



Dette symbolet betyr at du må lese brukerhåndboken nøye før du bruker utstyret for å redusere faren for skade. Brukerhåndboken inneholder viktig informasjon om trygg og riktig bruk av utstyret.



Dette symbolet betyr at man alltid må bruke briller med bred innfatning eller vernebriller ved bruk av utstyret for å redusere risikoen for øyeskade.



Dette symbolet indikerer risiko for at høytrykksvann kan trenge gjennom huden og føre til injeksjonsskader hvis det rettes mot kroppsdeler.



Dette symbolet indikerer risiko for at avløpsrenseslangen kan piske ukontrollert og forårsake støt- eller injeksjonsskader.



Dette symbolet indikerer risiko for innånding av karbonmonoksid, som kan forårsake kvalme, besvimelse eller dødsfall.



Dette symbolet indikerer risiko for brann og eksplosjon fra bensin eller andre kilder, som kan forårsake brannskader og annen personskade.

## Generelle sikkerhetsregler

### ADVARSEL

**Les og gjør forstå alle instruksjoner. Unnlattelse av å følge alle instruksjonene som er oppført nedenfor kan føre til elektrisk støt, brann og/eller alvorlig personskade.**

### TA VARE PÅ DISSE INSTRUKSJONENE.

#### Sikkerhet på arbeidsstedet

**Hold arbeidsstedet rent og godt belyst.** Uhell er mer sannsynlig på rotete benker eller mørke arbeidsområder.

- **Ikke bruk el-verktøy i eksplosive atmosfærer, som for eksempel i nærheten av brennbare væsker, gasser eller støv.** El-verktøy danner gnister som kan antenne støv eller damp.
- **Hold barn og andre personer på avstand mens el-verktøy brukes.** Forstyrrelser kan føre til at du mister kontrollen.

#### Elektrisk sikkerhet

- **Unngå kroppskontakt med jordede overflater, for eksempel rør, radiatorer, komfyrer og kjøleskap.** Det er økt fare for elektrisk støt hvis kroppen din er jordet.

#### Personlig sikkerhet

- **Vær årvåken og oppmerksom på det du gjør, og bruk sunn fornuft når du bruker el-verktøy. Ikke bruk verktøy hvis du er trett eller påvirket av narkotika, alkohol eller medisiner.** Et øyeblikks uoppmerksomhet når du bruker el-verktøy kan føre til alvorlig personskade.
- **Kle deg riktig. Unngå løstsittende klær eller smykker. Hold langt hår på plass. Hold hår, klær og hender unna bevegelige deler.** Løse klær, smykker eller langt hår kan sette seg fast i bevegelige deler.
- **Ikke strekk deg for langt. Sørg for å ha sikkert fotfeste og god balanse hele tiden.** Dette gir bedre kontroll over verktøyet i uforutsette situasjoner.

- **Bruk verneutstyr. Bruk alltid øyebeskyttelse/vernebriller.** Støvmaske, sklisikre vernesko, hjelm eller hørselsvern må brukes når forholdene tilsier det, for å redusere faren for personskade.

### Bruk og vedlikehold av verktøyet

- **Ikke bruk makt på el-verktøyet. Bruk riktig verktøy for j obben som skal gjøres.** Bruk av riktig el-verktøy sikrer at jobben utføres bedre, sikrere og i samsvar med utstyrets bruksområde.
- **Ikke bruk el-verktøyet hvis bryteren ikke slår verktøyet på og av.** Verktøy som ikke kan kontrolleres med bryteren er farlig, og må repareres.
- **Utstyr som ikke brukes må oppbevares utenfor rekkevidde av barn og andre personer som ikke har fått opplæring.** Verktøy er farlige i hendene på brukere som ikke har fått opplæring.
- **Vær nøye med vedlikehold av verktøy. Skjæreverktøy må holdes skarpe og rene.** Riktig vedlikeholdt skjæreverktøy med skarpe skjærekanten vil redusere risikoen for kiling og er lettere å kontrollere.
- **Kontroller for skjevinnstillinger eller fastkiling i bevegelige deler, at det ikke er brudd på deler eller andre forhold som kan redusere verktøyets ytelse. Hvis verktøyet er skadet, må det repareres før bruk.** Mange ulykker skyldes dårlig vedlikeholdt verktøy.
- **Bruk kun tilbehør som er anbefalt av produsenten for din modell.** Tilbehør som kan passe for ett verktøy, kan være farlig hvis det benyttes med et annet.

### Service

- **Service på verktøy må kun utføres av kvalifisert servicepersonell.** Service eller vedlikehold utført av ukvalifisert servicepersonell kan føre til personskade.
- **Bruk kun identiske reservedeler ved service på et verktøy. Følg instruksjonene i delen Vedlikehold i denne brukerhåndboken.** Bruk av uoriginale deler eller unnlattelse av å følge instruksjoner for vedlikehold kan medføre risiko for elektrisk støt eller skade.

## Sikkerhetsadvarsler for høytrykksspyleren

### ▲ ADVARSEL

Denne delen inneholder viktig sikkerhetsinformasjon som gjelder spesielt for dette verktøyet.

Les disse forholdsreglene nøye før du begynner å bruke denne avløpsrensingemaskinen for å redusere faren for elektrisk støt eller alvorlig personskade.

### TA VARE PÅ ALLE ADVARSLER OG INSTRUKSJONER FOR FREMTIDIG REFERANSE.

Oppbevar brukerhåndboken sammen med maskinen slik at den er lett tilgjengelig.

- **Bruk aldri høytrykksspyleren med slangeenden utenfor avløpet.** Slangen kan piske ukontrollert, forårsake støtskader og spruten kan gjennomtrengte hud og forårsake alvorlig personskade.
- **Høytrykksvann kan bli sprøytet inn under huden og resultere i alvorlig personskade inkludert amputasjon.** Ikke rett spruten mot mennesker eller dyr.
- **Ikke bruk høytrykksspyleren over driftstrykket eller 140°F / 60°C (inntaksvanntemperatur).** Dette øker risikoen for personskade, inkludert brannskader og skade på høytrykksspyleren.
- **Samme person må kontrollere både høytrykksspylingen og fotventilen. Bruk alltid fotventilen.** Hvis høytrykksslangen kommer ut av avløpet, må brukeren kunne stenge av vannstrømmen for å redusere faren for at høytrykksslangen pisker ukontrollert og forårsaker støt- og høytrykksskader.
- **Bruk alltid passende personlig verneutstyr ved håndtering og bruk av utstyr for avløpsrensing.** Avløp kan inneholde kjemikalier, bakterier og andre stoffer som kan være giftige, smittsomme, etsende eller forårsake andre problemer. Riktig verneutstyr inkluderer alltid sikkerhetsbriller og hansker, og kan inkludere slikt utstyr som lateks- eller gummihansker, ansiktsskjerm, heldekkende briller, beskyttende klær, pusteutstyr og vernesko med ståttupp.
- **Vær nøye med hygien.** Bruk varmt såpevann når du vasker hendene og andre eksponerte kroppsdeler som har vært i kontakt med avløpsinnhold etter håndtering eller bruk av avløpsrensing. Ikke spis eller røyk mens du bruker eller håndterer utstyr for rensing av avløp. Dette vil forhindre at du blir utsatt for giftig og smittomt materiale.
- **Ikke sprøyt giftige eller brennbare væsker.** Dette reduserer faren for brannskader, brann, eksplosjon eller annen personskade.



- **Bensin og bensindamp er svært brennbar og eksplosiv.** Se motorhåndboken for forholdsregler for å redusere faren for brannskår, eksplosjoner og alvorlig personskade ved håndtering og bruk av bensin.
- **Motorer produserer karbonmonoksid, en fargeløs og luktfri giftig gass.** Innånding av karbonmonoksid kan forårsake kvalme, besvimelse eller dødsfall. Ikke start og kjør motoren i et innelukket område, selv om dører og vinduer er åpne. Bruk kun utendørs.
- **Varme overflater kan forårsake brannskår og brann.** Hold kroppsdeler og brennbart materiale unna varme overflater.
- **Les og forstå denne brukerhåndboken, motorhåndboken og advarslene og instruksjonene for alt utstyr som brukes med dette verktøyet før bruk.** Hvis disse advarslene og instruksjonene ikke følges, kan det føre til skade på eiendom og/eller alvorlig personskade.

CE-samsvarserklæringen (890-011-320.10) vil følge med denne håndboken som en separat brosjyre der det er påkrevet.

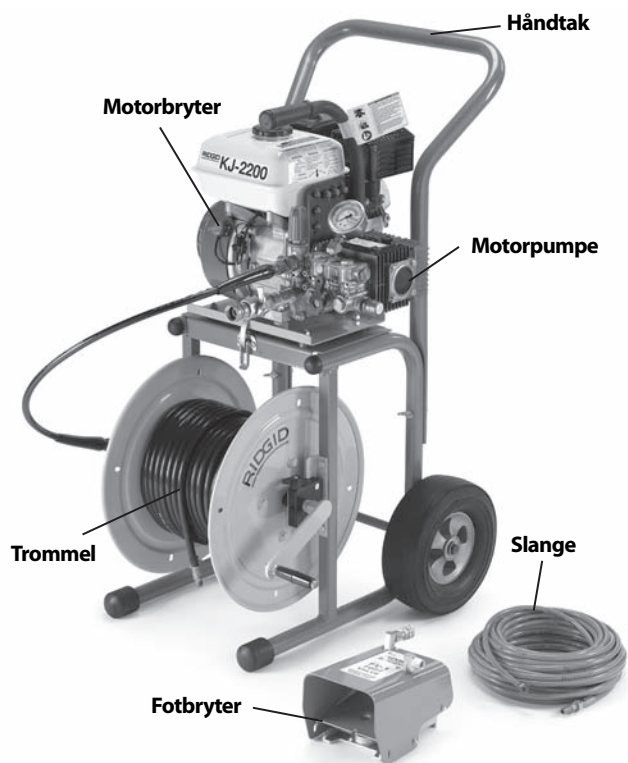
Hvis du har spørsmål angående dette RIDGID®-produktet:

- Kontakt din lokale RIDGID®-forhandler.
- Gå til [www.RIDGID.com](http://www.RIDGID.com) eller [www.RIDGID.eu](http://www.RIDGID.eu) for å finne ditt lokale RIDGID-kontakt.
- Kontakt RIDGIDs tekniske serviceavdeling på e-postadressen [rttechservices@emerson.com](mailto:rttechservices@emerson.com), eller ring (800) 519-3456 i USA og Canada.

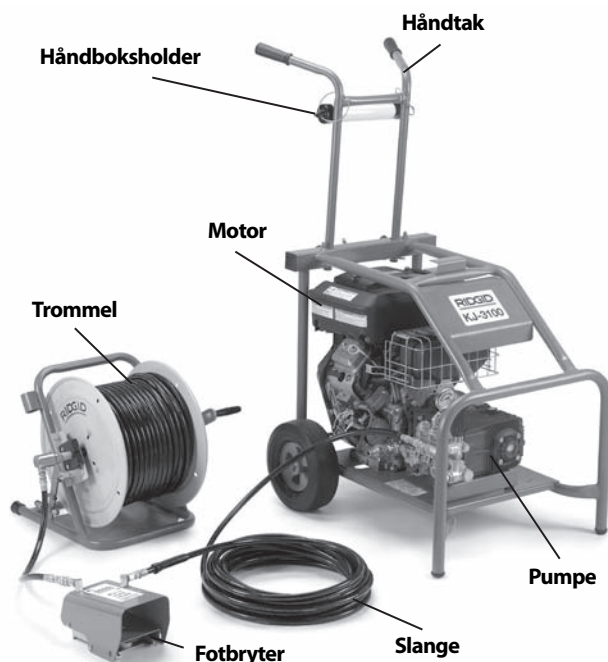
## Beskrivelse, spesifikasjoner og standardutstyr

### Beskrivelse

De motordrevne RIDGID®-høytrykksspylerne er mobile høytrykksspylere som er laget for å bruke en kombinasjon av vanntrykk og -strøm for å fjerne fett, slam, sediment og røtter ut av avløp. En svært fleksibel og lett slange drives gjennom avløpet ved revershøytrykksspylere på høytrykksdysen, og når den trekkes tilbake spyler den bort rusk i rørledningen. Med pulsaktivert aktivert er det enklere å manøvrere gjennom vanskelige vinkler og vannlåser. Alle maskiner er utstyrt med en bensinmotor som driver triplex-stempelpumpen.



Figur 1 – KJ-2200 høytrykksspyler



Figur 2 – KJ-3100 høytrykksspyler



Figur 3 – Maskinens serienummer

Maskinens serienummer står på rammen. De siste fire tallene angir produksjonsmåned og -år. (08 = måned, 10 = år).

### Spesifikasjoner

Høytrykksspyler-modell	Motor HT	Trykk PSI / bar
KJ-2200	6.5 / 6,5	2200 / 150
KJ-3100	16	3000 / 205

Strømningshastighet GPM / liter	Dreneringsslangens kapasitet tomme / mm	Vekt (uten slangetrommel) pund / kg
2.4 / 9	1 1/4 - 6 / 32 - 152	65 / 30
5.5 / 20	2 - 10 / 50 - 250	262 / 119

### Ikoner



### Standardutstyr

Alle høytrykksspylere kommer med

- passende høytrykksspylerdyser
- dyserenseverktøy
- FV-1 fotventil
- motorhåndbok

Se RIDGID-katalogen for spesifikt utstyr og tilhørende katalognummer.

**MERK** Denne maskinen er laget for å rense avløp. Hvis den brukes riktig, vil den ikke skade et avløp som er i god stand og korrekt utformet, konstruert og vedlikeholdt. Hvis avløpet er i dårlig stand eller ikke er blitt korrekt utformet, konstruert og vedlikeholdt, blir kanskje ikke avløpsrensingen effektiv, eller kan forårsake

skade på avløpet. Den beste måten å fastsette avløpets tilstand på før rensing, er visuell inspeksjon med et kamera. Feil bruk av maskinen kan skade høytrykksspyleren og avløpet. Det er mulig denne maskinen ikke kan fjerne alle hindringer.

## Montere maskinen

### ⚠ ADVARSEL

**For å hindre alvorlig personskade ved bruk og maskinskade, følg disse prosedyrene for korrekt montering.**

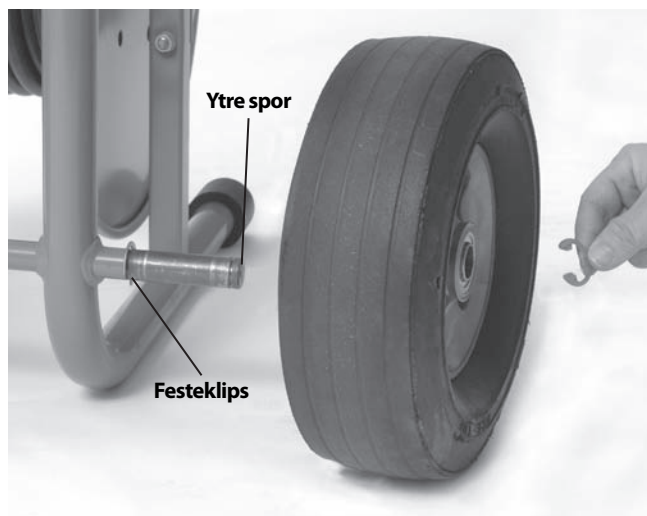
### Motorolje

**MERK** Høytrykksspyleren sendes uten olje i motoren. Bruk av motoren uten olje fører til motorfeil. Fyll på olje før bruk. Se medfølgende motorhåndbok for spesiell informasjon om påfylling av og valg av olje.

### Olje for pumpe/girkasse

**Pumpe:** Ta ut pluggen øverst på pumpen og sett i et peilepinne-/ventilatorlokk. Å bruke høytrykksspyleren med pluggen i kan forårsake skade på pumpeforseglingene. Kontroller oljenivået ifølge delen *Instruksjoner for vedlikehold*.

**Girkasse (kun KJ-3000):** Erstatt pluggen øverst på pumpen med et peilepinne-/ventilatorlokk. Bruk av høytrykksspyleren med pluggen i kan forårsake skade på girkasseforseglingene. Kontroller oljenivået ifølge delen *Instruksjoner for vedlikehold*.



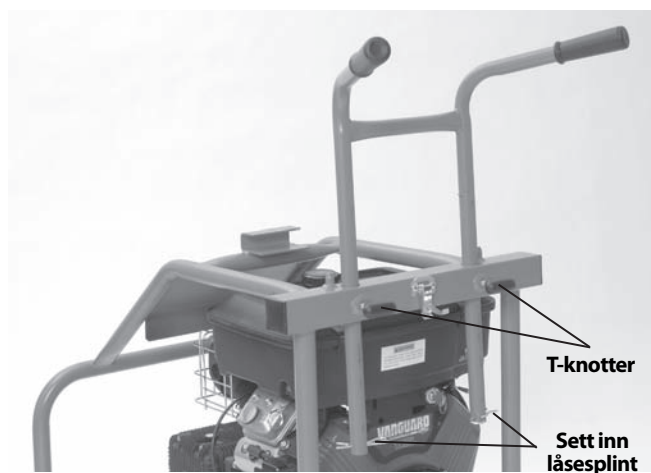
Figur 4 – Montere KJ-2200

**KJ-2200 transportvogn**

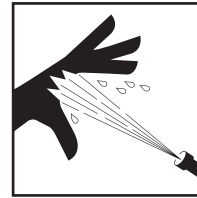
- 1 Monter festeklips på indre spor for hver akselende. (Se figur 4.)
- 2 Skyv et hjul inn på hver akselende.
- 3 Monter festeklips på ytre spor for hver akselende for å holde hjulet på plass.
- 4 Monter håndtaket til rammen med medfølgende låsebolter og vingemuttre.
- 5 Løft motoren/pumpen på vognen, og innrett hullene i baseplaten med boltene på toppen av vognen. Bruk låsene på vognen for holde motoren/pumpen på plass. Påse at enheten er sikkert festet.

**Montere KJ-3100 håndtak**

- 1 Sett inn håndtaket gjennom de to hullene bak på rammens tverrstang. (Se figur 5.)
- 2 Sett inn låsesplinter gjennom hullene i bunnen av håndtaket for å feste håndtaket.
- 3 Skru inn T-knottene i bakre tverrstang. Juster håndtaket etter behov og stram knottene for å feste det.



Figur 5 – Montere KJ-3100 håndtak

**Inspeksjon før bruk****⚠ ADVARSEL**

**Undersøk høytrykksspyleren daglig før bruk, og korreger eventuelle problemer for å redusere risikoen for alvorlige skader grunnet høytrykkssvann og andre årsaker samt for å forebygge skade på utstyret.**

**Bruk alltid sikkerhetsbriller, hansker og annet egnet verneutstyr ved undersøkelse av høytrykksspyleren for å beskytte mot kjemikalier og bakterier på utstyret.**

- 1 Påse at motorbryteren/-nøkkelen er i av-stilling.
- 2 Fjern olje, fett eller smuss fra utstyret, inkludert håndtak og kontroller. Dette gjør inspeksjonen enklere og bidrar til å hindre at du mister taket på maskinen eller betjeningsselementet.
- 3 Inspiser høytrykksspyleren og tilbehøret for følgende:
  - Sjekk at maskinen er helhetlig sammensatt på riktig måte.
  - Se etter ødelagte, slitte, manglende, feilinnrettede, fastkilte eller løse deler.
  - Varselmerkens tilstedeværelse og leselighet. (Se figur 6.)
  - Eventuelle andre tilstander som kan hindre trygg og normal bruk.

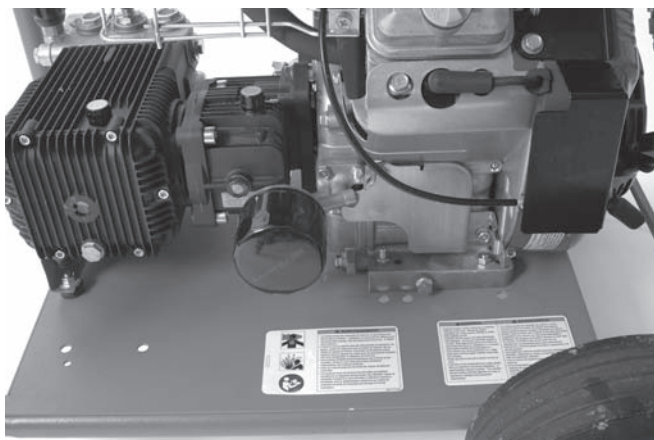
Hvis du finner noe som ikke er i orden, ikke bruk høytrykksspyleren før problemet er løst.



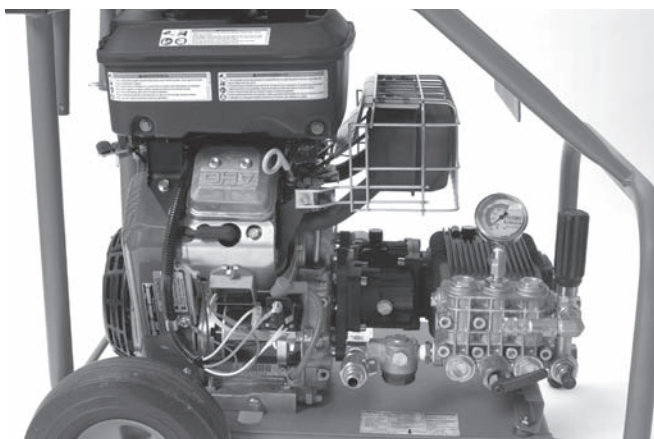
Figur 6A – Varselsmerker for KJ-2200



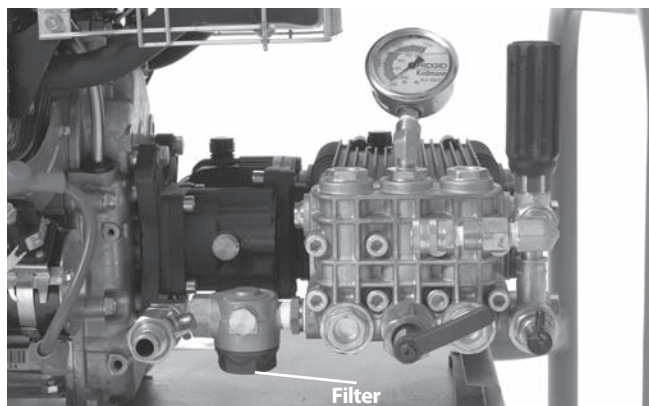
**Figur 6B – Varselsmerker for KJ-2200**



**Figur 6C – Varselsmerker for KJ-3100**



**Figur 6D – Varselsmerker for KJ-3100**

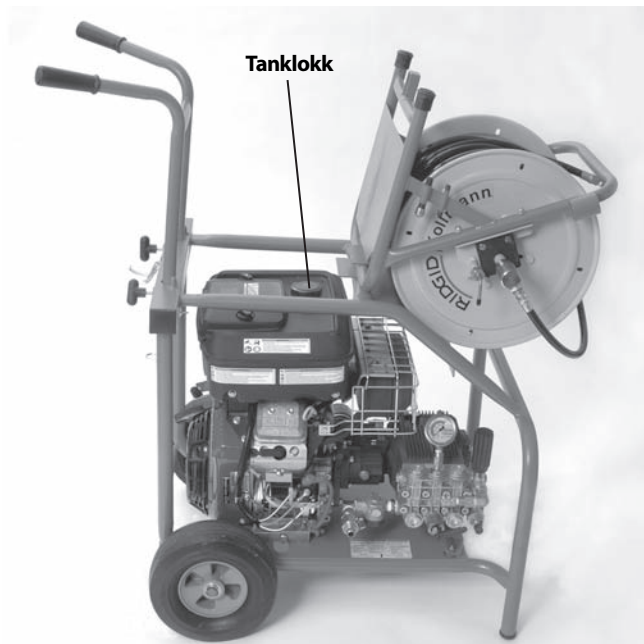


**Figur 7 – Inntaksfilter/filterskive**

4 Rens vanninntaksfilteret/filterskiven. Skru av dekslet fra bunnen av inntaksfilteret for rensing. Smuss og rusk kan begrense vannstrømmen til pumpen og forårsake ytelsesproblemer.

- 5 Inspiser avløpsrensedysens åpninger for eventuell skade eller blokkering. Blokkeringer kan renses med et dyserenseverktøy. Vær forsiktig for ikke å utvide dyseåpninger ved rensing. Skadde dyser eller dyser med utvidede åpninger kan redusere høytrykksspylerens ytelse og skal erstattes.
- 6 Inspiser slangene, tilkoblingene og slangekoblingene for slitasje og skade. Hvis det finnes knekk, sprekker, brudd eller slitasje gjennom slangens ytre lag eller annen skade, ikke bruk slangen. Skadde slanger kan sprekke eller lekke høytrykksvann og forårsake alvorlig personskade. Erstatningsslanger og -slangekoblinger skal ha samme eller høyere driftstrykk enn høytrykksspylerens driftstrykk.
- 7 Inspiser og vedlikehold motoren ifølge motorhåndboken.
- 8 Kontroller motorens drivstoffnivå. For KJ-3100, koble fra slangetrommelen og roter slangetrommelen fremover til den hviler mot rammen for tilgang til motorens drivstofflokk *figur 8*. Fyll på blyfri bensin ved behov. Se motorhåndboken for informasjon. Vær forsiktig ved håndtering av bensin. Fyll på i et godt ventilert område. Ikke fyll på for mye, og ikke søl drivstoff. Påse at tanklokket er godt lukket.





Figur 8 – Tilgang til drivstofftanken til KJ-3100

- 9 Kontroller oljenivået i pumpen og girkassen (hvis utstyrt) og fyll på olje ved behov (se delen Instruksjoner for vedlikehold).

## Klargjøring av maskin og arbeidsstedet

### ⚠ ADVARSEL



**Bruk alltid sikkerhetsbriller, hansker og annet egnet verneutstyr når klargjør høytrykksspyleren for beskyttelse mot kjemikalier og bakterier på utstyret. Antiskliske med gummisåle kan bidra til å hindre at du sklir på våte overflater.**

**Motorer produserer karbonmonoksid, en fargeløs og luktfri giftig gass. Innånding av karbonmonoksid kan forårsake kvalme, besvimelse eller dødsfall. Ikke start og kjør motoren i et innelukket område, selv om dører og vinduer er åpne. Bruk kun utendørs.**

**Sett opp høytrykksspyleren og arbeidsområdet i henhold til disse prosedyrene for å redusere risikoen for personskade fra høytrykksvann, kjemiske brannsåre, infeksjoner, karbonmonoksid og andre årsaker samt hindre skade på høytrykksspyleren.**

- Kontroller om arbeidsstedet har:
  - tilstrekkelig lys.
  - brennbare væsker, damper eller støv som kan antennes. Om dette finnes, må du ikke arbeide på stedet før kildene er identifisert og problemet løst. Høytrykksspyleren er ikke eksplosjonssikker og kan forårsake gnister.
  - ryddig, plant, stabilt og tørt arbeidssted for maskinen og brukeren. Om nødvendig, fjern vannet fra arbeidsstedet. Tre eller andre dekker må kanskje legges ned.
  - høytrykksspyleren skal plasseres i et godt ventilert område utendørs. Ikke plasser høytrykksspyleren innendørs, selv om dører og vinduer er åpne. Høytrykksspyleren kan plasseres på avstand fra bruksområdet.
  - egnet vannforsyning
  - klar bane for å transportere høytrykksspyleren til arbeidsstedet.
- Inspiser avløpet som skal renses. Hvis mulig må du bestemme tilgangspunkt(ene) til avløpet, størrelsen(e) og lengden(e) på avløpet, avstanden til tanker eller hovedrørledninger, blokkeringens art, tilstedeværelsen av kjemikalier for avløpsrensing eller andre kjemikalier osv. Hvis det er kjemikalier i avløpet, er det viktig å forstå de spesifikke sikkerhetstiltakene som kreves for å arbeide på steder med slike kjemikalier. Kontakt produsenten av kjemikaliene for nødvendig informasjon.
 

Om nødvendig må du fjerne armatur (toaletter osv.) for å få tilgang til avløpet. Ikke mat slangen gjennom armatur. Dette kan skade slangen og armaturen.
- Velg korrekt utstyr for oppgaven som skal utføres. Se delen Spesifikasjoner for informasjon om disse høytrykksspylerne. Avløpsrensere og høytrykksspylere for andre bruksområder finnes i RIDGID-katalogen og på nettsidene [www.RIDGID.com](http://www.RIDGID.com) og [www.RIDGID.eu](http://www.RIDGID.eu).
- Forsikre deg om at alt utstyr har blitt undersøkt grundig.
- Vurder om det er nødvendig å sette opp barrierer på arbeidsstedet for å holde andre personer på avstand. Tilskuere kan distrahere brukeren under arbeidet. Ved arbeid i trafikkerte områder må du sette ut trafikkjegler eller andre barrierer for å varsle bilførere.
- Hvis nødvendig, plasserer du beskyttende dekker på arbeidsområdet. Avløpsrensing kan være en skitten jobb.
- Ta høytrykksspyleren til det godt ventilerte arbeidsområdet utendørs langs den klare banen. Hvis maskinen må løftes, bruk riktig løfteteknikk. Vær forsiktig ved flytting av utstyr opp og ned trapper, og vær

oppmerksom på mulige sklifarer. Bruk riktig fottøy for å hindre skliuhell.

## Vannforsyning

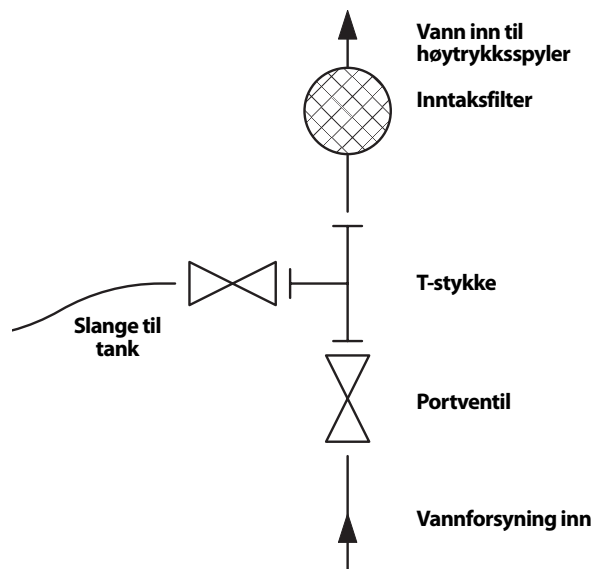
Kontroller at det er tilstrekkelig vannstrøm til høytrykksspyleren. Legg en slange fra vannkilden til høytrykksspyleren. Bruk slange med størst mulig diameter og kortest mulig lengde. Anbefalt minimumsstørrelse for slange er  $\frac{3}{4}$ " / 19 mm ID. En passende enhet for å hindre tilbakestrømning skal brukes for samsvar med alle lokale lover og forordninger. Skru på vannet ved kilden og mål hvor lang tid det tar å fylle en ren bønne på 5 gal. / 18,9 l. Se følgende tabell for maksimal fylletid for bønne for hver enkelt høytrykksspyler.

Høytrykksspyler	Hastighet GPM / liter	Maks fylletid for bønne 5 gallon / 18,9 l
KJ-2200	2.4 / 9	125 sekunder
KJ-3100	5.5 / 20	55 sekunder

Utilstrekkelig vannstrøm hindrer høytrykksspyleren i å nå driftstrykket og kan forårsake skade på pumpen. Innpiser vannet i bønnet for smuss og rusk. Smuss og rusk i vannforsyningen kan forårsake overdreven pumpe-slitasje, blokkere filterdysene og redusere ytelsen. Ikke bruk vann fra dammer, innsjøer eller andre kilder som kan være kontaminert.

Ved utilstrekkelig vannstrøm inkluderer mulige løsninger å bruke slangekoblinger for tilkobling av flere forsyningslanger til høytrykksspyleren eller bruk av en tank.

Ved bruk av tank, sett inn et T-stykke med portventiler til høytrykksspylerens vanninntak som vist i figur 9. Koble til en slange på  $\frac{3}{4}$ " / 19 mm til ventilen på T-stykkets uttak, og koble vannforsyningen til T-stykkets horisontalrør. Plasser enten slangeenden i tanken eller koble til tankuttaket. Hele lengden til tankslangen skal ikke være mer enn 5" / 12,7 cm over høytrykksspylerens inntak, ellers vil ikke høytrykksspyleren dra vann fra tanken.



Figur 9 – Vannforsyningstilkoblinger ved bruk av tank

Fyll tanken før du starter høytrykksspyleren. Når du starter høytrykksspyleren, skru av tankventilen. Åpne tankventilen med en gang når høytrykksspyleren starter. Følg med på vannnivået i tanken, og stopp høytrykksspylingen for å la tanken fylle seg opp igjen. Ikke la vannnivået synke under slangeenden.

Varmt vann kan brukes for mer effektiv rensing. Ikke bruk vann som er varmere enn 140°F / 60°C – det kan føre til at pumpens termiske overlast åpner seg. Ved bruk av varmt vann, bruk egnet personlig verneutstyr for å redusere faren for brannskade.

Ved bruk i kaldt vær, ta forholdsregler for å hindre at vannet fryser i pumpen. Frossent vann i pumpen kan skade den.

Påse at inntaksforsyningsventilen på høytrykksspyleren er stengt, og fest forsyningslangen til høytrykksspyleren.

## Forberede avløpet

Hvis du arbeider gjennom et mannhull, gitter eller annen stor tilgang, bruk rør og rørkoblinger for å veilede høytrykksslangen fra avløpsåpningen til brukspunktet. Dette hindrer at høytrykksslangen pisker ukontrollert i åpningen og beskytter slangen mot skade.

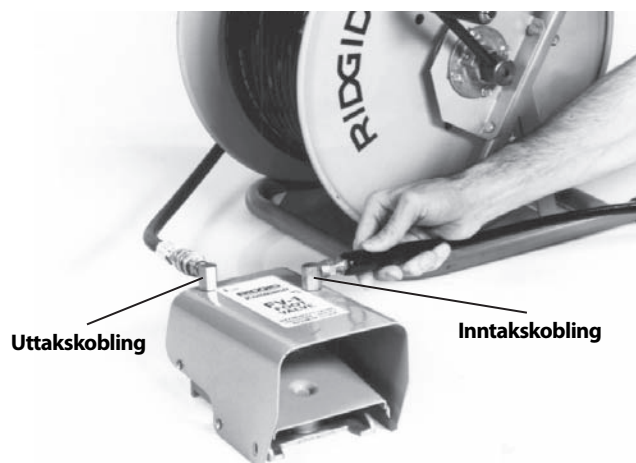


**Figur 10 – Utvide avløpsåpningen til brukspunktet**

### Slangeoppsett

Vær forsiktig ved føring av høytrykksslanger. Å føre slanger over ru overflater, skarpe kanter, kryssende slanger osv. kan skade slangens ytre lag, spesielt når høytrykksspyleren brukes i pulsmodus. Desto mer høytrykksslange på trommelen, desto mindre slangeskade.

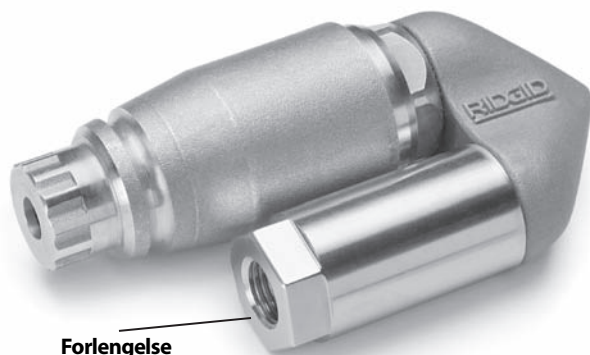
- 1 Velg en høytrykksslangestørrelse som passer avløpet som skal renses. Det anbefales generelt ikke å koble to høytrykksslanger sammen for å renses avløp. Tilkoblingen mellom de to slangene er mindre fleksibel og kan hindre gjennomstrømning gjennom slangekoblingene. Se tabell for valg av høytrykksslange.
- 2 Ta av slangetrommelen fra motoren/pumpen. Plasser slangetrommelen maks. tre fot / 90 cm fra avløpsåpningen. Ikke la overskytende slangelengde ligge utenfor avløpet for å hindre skade på slangen. Hvis slangetrommelen ikke kan plasseres nærmere enn tre fot / 90 cm fra avløpsåpningen, forleng avløpsåpningen mot slangetrommelen med rør og rørkoblinger av lignende størrelse.
- 3 Før slangen fra høytrykksspyleren til inntakskoblingen på fotventilen. Bruk teflontape for å forsegle tilkoblingen. Posisjoner fotventilen for tilgjengelighet. Du må kunne kontrollere høytrykksslangen og fotventilen.
- 4 Koble slangen fra høytrykksspyleren til uttakskoblingen på fotventilen.



**Figur 11 – Tilkobling av fotventil**

- 5 Merk høytrykksslangen nær enden for å indikere når dysen nærmer seg avløpet når den trekkes tilbake. Dette vil bidra til å hindre at dysen kommer ut av avløpet og pisker ukontrollert. Avstanden avhenger av avløpets konfigurasjon, men skal være minst fire fot / 1,2 m.
  - 6 Fjern dysen fra enden av høytrykksslangen, og plasser enden av høytrykksslangen i avløpet. Åpne inntaksforsyningsventilen for å rense ut luft og eventuelt rusk fra høytrykksspyleren og slangene. La vannet strømme i minst to minutter.
  - 7 Steng inntaksforsyningsventilen.
  - 8 Velg en dyse. Bruk dyser som passer spesifikt til høytrykksspyleren som brukes. Bruk av feil dyse kan forårsake dårlig ytelse (lavt driftstrykk eller lav vannstrøm) eller kan skade høytrykksspyleren med for høye trykk. Påse at dyseåpningene er rene og åpne. Se tabellen for valg av høytrykkssdyse.
- Ved bruk av RR3000-dyse for avløp som er større enn 6" / 152 mm og opptil 9" / 229 mm, må forlengelsen brukes. For avløp på 6" / 152 mm og mindre er det ikke nødvendig med forlengelse. Stram forlengelsen til RR3000 for hånd ved behov, men stram ikke for mye. Bruk av RR3000-dysen i en rørledning som er større enn 6" / 152 mm og opptil 9" / 229 mm uten en forlengelse, eller i rørledninger større enn 9" / 229 mm kan være store nok til at dysen endrer retning i avløpet og kommer ut ved brukeren, hvor den kan forårsake alvorlig personskade (figur 12).
- 9 Stram dysen godt til slangeenden for hånd, men ikke stram for mye. Hvis dysen strammes for mye, kan dysen bli skadet og forårsake dårlig ytelse.

- 10 Før slangen med dysen påfestet inn i avløpet og åpne inntaksforsyningsventilen. Kontroller at vannet strømmer fritt gjennom dysen, og steng inntaksforsyningsventilen.



Figur 12 – RR3000 dyse med forlengelse

### TABELL FOR VALG AV HØYTRYKSSLANGE

	Anvendelser	Gjengestørrelse tommer / mm	Dysetørrelse tommer / mm	Slangestørrelse (ID) tommer / mm	Slangestørrelse (YD) tommer / mm
KJ-2200	Avløp i bad, urinaler og små rørledninger.	1 1/4 - 2 / 32 - 50	1/8 / 3,2 NPT	1/8 / 3,2	3/16 / 4,8
	Sluker i kjøkken, vaskekummer og gulvsluker, renseåpninger og ventiler.	2 - 3 / 50 - 76	1/8 / 3,2 NPT	3/16 / 4,8	1/4 / 6,4
	Avløp i dusj og gulv, siderørledninger og fettutskillere.	3 - 4 / 76 - 101	1/4 / 6,4 NPT	1/4 / 6,4	1/2 / 13
	Side- og hovedrørledninger.	4 - 6 / 101 - 152	1/4 / 6,4 NPT	1/4 / 6,4	1/2 / 13
KJ-3100	Vaskekummer, renseåpninger og ventiler.	2 - 3 / 50 - 76	1/8 / 3,2 NPT	3/16 / 4,8	1/4 / 6,4
	Avløp i dusj og gulv, siderørledninger og fettutskillere.	3 - 4 / 76 - 101	1/4 / 6,4 NPT	3/8 / 9,5	5/8 / 16
	Side- og hovedrørledninger.	4 - 10 / 101 - 250	1/4 / 6,4 NPT	3/8 / 9,5	5/8 / 16

### TABELL FOR VALG AV HØYTRYKSDYSE

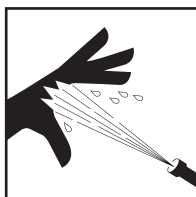
KJ-2200	Gjengestørrelse, tommer / mm	1/8 / 3,2 NPT	1/4 / 6,4 NPT
	Slangestørrelse (indre diameter), tommer / mm	1/8 og 3/16 / 3,2 til 4,8	1/4 / 6,4
	Slangestørrelse (ytre diameter), tommer / mm	3/16 og 1/4 / 4,8 til 6,4	1/2 / 13
Med tre revershøytrykksspylere som gir maksimal fremdrift for å spyle over lange avstander. Bruk denne dysen for de fleste bruksområder.	<b>H-61</b>	<b>H-71</b>	
Bruker tre revershøytrykksspylere samt én spylere rettet fremover for å trenge gjennom solide fett- eller slamblokkeringer. Fremoverhøytrykksspyleren spylere et lite hull i blokkeringen som dysen kan komme gjennom. Den er også svært effektiv ved spyling av isblokkeringer.	<b>H-62</b>	<b>H-72</b>	
Bruk det stillbare boret for vanskelige rørvinkler. Denne dysen har tre revershøytrykksspylere.	<b>H-64</b>		
Bruk den roterende dysen til å rense fett og lignende blokkering fra avløp.	<b>H-65</b>	<b>H-75</b>	



KJ-3100	<b>Gjengestørrelse, tommer / mm</b>	1/8 / 3,2 NPT	1/4 / 6,4 NPT
	<b>Slangestørrelse (indre diameter), tommer / mm</b>	3/16 / 4,8	3/8 / 9,5
	<b>Slangestørrelse (ytre diameter), tommer / mm</b>	1/4 / 6,4	5/8 / 16
	Har fire (4) revershøytrykksspylere som gir maksimal fremdrift for å spyle over lange avstander. Bruk denne dysen for de fleste bruksområder.	<b>H-101</b>	<b>H-111</b>
	Bruker tre revershøytrykksspylere samt én spylere rettet fremover for å trenge gjennom solide fett- eller slamblokkeringer. Fremoverhøytrykksspyleren spylere et lite hull i blokkeringen som dysen kan komme gjennom. Den er også svært effektiv ved spyling av isblokkeringer.	<b>H-102</b>	<b>H-112</b>
	Bruk det stillbare boret for vanskelige rørvinkler. Denne dysen har fire (4) revershøytrykksspylere.	<b>H-104</b>	
	Bruk den roterende dysen til å rense fett- og lignende blokkering fra avløp.	<b>H-105</b>	<b>H-115</b>
Bruk til å fjerne røtter og andre blokkeringer.		<b>RR3000</b>	
MERK: Bruk forlengelsen til å stabilisere RR3000 ved rensing av avløp på 8" / 200 mm.			

## Bruksanvisning

### ⚠ ADVARSEL



**Bruk alltid øyebeskyttelse til å beskytte øynene dine mot smuss og fremmedelemerter. Bruk alltid personlig verneutstyr som passer for arbeidsmiljøet.**

**Bruk aldri høytrykksspyleren med slangeenden utenfor avløpet. Slangen kan piske ukontrollert, forårsake støtskader og spruten kan gjennomtrenge hud og forårsake alvorlig personskade.**

**Vann under høyt trykk kan bli sprøytet inn under huden og resultere i alvorlig personskade, inkludert amputasjon. Ikke rett spruten mot mennesker eller dyr.**

**Ikke bruk høytrykksspyleren over driftstrykket eller 140°F / 60°C (inntaksvanntemperatur). Dette øker risikoen for personskade, inkludert brannskader og skade på høytrykksspyleren.**

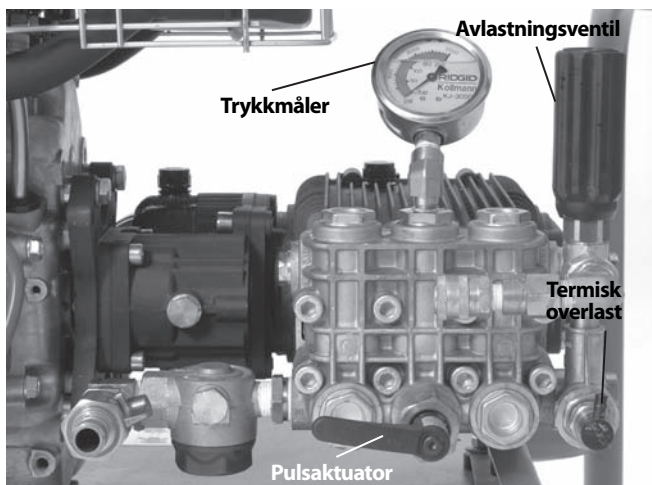
**Samme person må kontrollere både høytrykksspylingen og fotventilen. Bruk alltid fotventilen. Hvis høytrykksslangen kommer ut av avløpet, må brukeren kunne stenge av vannstrømmen for å redusere faren for at høytrykksslangen pisker ukontrollert og forårsaker støt- og høytrykksskader.**

**Bruk alltid riktig personlig verneutstyr ved håndtering og bruk av utstyr for rensing av avløp. Avløp kan inneholde kjemikalier, bakterier og andre stoffer som kan være giftige, smittsomme, etsende**

**eller forårsake andre problemer. Riktig personlig verneutstyr inkluderer alltid sikkerhetsbriller og hansker, og kan inkludere utstyr som lateks- eller gummihandsker, ansiktsskjerm, heldekkende briller, beskyttende klær, pusteutstyr og vernesko med ståttupp.**

**Følg brukerhåndboken for å redusere risikoen for skade pga. slange som pisker ukontrollert, injeksjon av høytrykksvann, karbonmonoksid og andre årsaker.**

- 1 Pass på at maskinen og arbeidsområdet er riktig klargjort og at arbeidsområdet er fritt for tilskuere og andre forstyrrelser. Hvis høytrykksspyleren plasseres på avstand til bruksstedet, skal en annen person stå ved høytrykksspyleren.
- 2 Før slangen med dysen påfestet inn i avløpet på maks. én meters avstand, slik at slangeenden ikke kommer ut av avløpet og pisker ukontrollert når maskinen startes.
- 3 Kontroller at pulsaktuatorspaken er rotert mot urviseren i "Trykk"-stilling (*figur 16*).
- 4 Åpne inntaksforsyningsventilen. Ikke start motoren uten at vannforsyningen er skrudd på. Det kan skade pumpen.
- 5 Trykk ned fotventilen for å redusere trykket og la motoren starte. Kontroller at vannet strømmer fritt gjennom dysen. Følg startinstruksjonene i motorhåndboken for å starte motoren. La motoren få varme seg opp.



**Figur 13 – Kontroller**

- 6 Skru avlastningsventilen mens du overvåker trykkmåleren for å justere trykket etter behov (med urviseren for å øke trykket, mot urviseren for å redusere det). Ikke overskrid maskinens driftstrykk. Ikke bruk makt på, skrunøkler eller verktøy til å skru avlastningsventilen. Dette vil skade avlastningsventilen.

Høytrykksspyler	Driftstrykk, PSI / bar
KJ-2200	2200 / 150
KJ-3100	3000 / 205

Hvis høytrykksspyleren ikke genererer driftstrykket eller er uberegnelig:

- Påse at motorspjeldet er korrekt justert.
- Påse at inntaksforsyningsventilen er helt åpen, og at andre ventiler i forsyningssystemet er helt åpne.
- Skru avlastningsventilen med urviseren for å øke trykket. Ikke bruk makt.
- Påse at pulsaktuatoren er i "Trykk"-stilling.
- Veksle pulsaktuatoren mellom stillingene "Trykk" og "Puls" flere ganger mens enheten kjører for å rense ut eventuell innesperret luft fra systemet.
- Inspiser systemet for lekkasjer. Vær forsiktig ved inspeksjon for å unngå personskade. Hvis du oppdager lekkasje, steng av høytrykksspyleren før du reparerer lekkasjen.
- Skru av høytrykksspyleren. Kontroller at inntaksfilteret/filterskiven er fri for rusk.
- Påse at det er tilstrekkelig vannstrøm til høytrykksspyleren.
- Skru av høytrykksspyleren og forsyningsventilen. Fjern dysen og rens åpningene med dyserenserverktøyet.

- Kjør høytrykksspyleren uten dyse for å fjerne luft eller rusk fra systemet. Skru av høytrykksspyleren før du fjerner eller fester dysen.

**7 Innta korrekt arbeidsstilling.**

- Påse at fotventilen er innenfor rekkevidde og at du kan styre den. Ikke trykk på fotventilen enda.
- Påse at du har god balanse og ikke må strekke deg for mye.
- Du må kunne ha en hånd på avløpsrenseslangen hele tiden for å kontrollere og støtte slangen.
- Du må kunne nå trommelen for å kveile slangen ut og inn.

Denne brukerstillingen vil bidra til at du kan styre avløpsrenseslangen.




**Figur 14 – Korrekt bruksstilling**

**Spyle avløpet med høytrykksvann**

Når du spyle et avløp med høytrykksvann mates vanligvis slangen inn i avløpet så langt som det skal renses, og trekkes deretter sakte tilbake. Dette gjør at høytrykksvann kan rettes mot avløpsveggene for å fjerne oppbygning.

Utløs låsebolten på slangetrommelen. Når det er minst én meter slange i avløpet og du har en hånd på slangen for å styre den, trykk på fotventilen. Revershøytrykksspylerne på dysen bidrar til å dra slangen inn i avløpet. Mat slangen inn så langt som det skal renses. Hvis slangen stopper, har den møtt på en hindring.

Hvis dysen ikke kan passere gjennom en hindring, som en retningsendring (vannlås, vinkelrør osv.) eller en blokkering.

- Bruk flere skarpe støt med slangen.
- Roter slangen en kvart til en halv omdreining for å rette slangen mot retningsendringen (hvis slangen roteres en gang gjennom hindringen, dreier slangen tilbake for å unngå knekk) (figur 15).
- Bruk pulsmodus.  (se neste del).
- Bruk en vannlås-slange eller slange med mindre diameter.



**Figur 15 – Rotere slangen**

Når du har kommet forbi en blokkering, ta deg tid til å rense den rørdelen før du fortsetter videre. Før dysen omtrent én meter lenger frem fra hindringen, og dra dysen sakte tilbake gjennom blokkeringsområdet. Gjenta dette flere ganger og før deretter dysen videre inn i avløpet.

Følg med på vannivået i avløpet. Hvis vannivået blir for høyt, må du kanskje skru av høytrykksspyleren og la vannet dreneres bort før du fortsetter. Høytrykksspyling er mindre effektiv når rørdelingen er full av vann enn når den er tom. Ikke kjør høytrykksspyleren i en lengre periode med fotventilen i av-stilling. Vannet resirkuleres i pumpen når fotventilen er i av-stilling og forårsaker oppvarming av vannet. Dette kan føre til at pumpens termiske overlast åpner seg.

Når dysen har nådd ønsket distanse i avløpet, dra dysen sakte (én fot / 30 cm per minutt for avløp med mye oppsamling) tilbake gjennom avløpet. Bruk en hånd til å styre slangen og den andre til å kveile slangen på trommelen. Følg med når dysen kommer nærmere avløpsåpningen slik at dysen ikke kommer ut av avløpet mens vannet strømmer gjennom dysen. Dette kan føre til at slangen pisker ukontrollert og forårsaker støtskader og alvorlige personskader i forbindelse med høytrykksvann. Styr alltid slangen. Se etter merket på slangen nær dysen. Utløs fotventilen for å stenge av vannstrømmen.

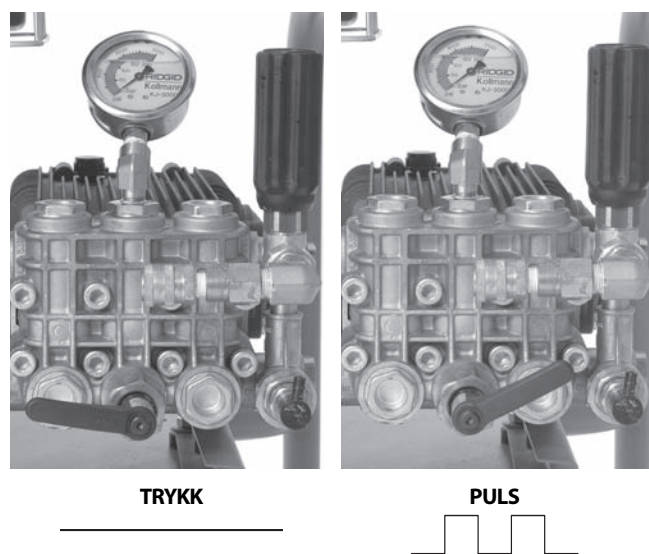
Skru av motoren som anvist i motorhåndboken, og trykk på fotventilen for å slippe ut systemtrykket. Ikke forlat systemet når det er under trykk. Ved behov, skift dysen og fortsett rensingen som beskrevet ovenfor. Det anbefales at du går gjennom et rør flere ganger for å rense det fullstendig.

Når du er ferdig, skru av høytrykksspyleren, fjern dysen og åpne inntaksforsyningsventilen for å skylle pumpen og slangen. Ved bruk av høytrykksspyleren i kaldt vær, drener vannet fra systemet umiddelbart for å unngå frostskaade. Se *Oppbevaring av maskinen* for informasjon om frostbeskyttelse.

### Bruke pulsmodus

Det er ikke tilstrekkelig å styre slangen gjennom en retningsendring, pulsmodus må brukes. Pulsmodusen inducerer store variasjoner i vanntrykket. Dette får slangen til å vibrere og gjør det dermed lettere å føre den fremover.

- 1 Roter pulsaktuatorspaken med urviseren til "Puls"-stilling. I pulsmodus vil trykkmåleren vise mindre enn fullt trykk. Dette er normalt.



**Figur 16 – Stilling for pulsaktuatorspak**



- 2 Bruk skarpe støt med slangen ved behov, og roter slangen for å hjelpe dysen gjennom hindringen.
- 3 Når dysen har passert gjennom hindringen, roter pulsaktuatorspaken mot urviseren til "Trykk"-stilling. Ikke bruk høytrykksspyleren i pulsmodus lengre enn nødvendig for å passere gjennom en hindring. For mye bruk av pulsfunksjonen kan forårsake for tidlig slitasje på slanger og system.

### Bruke høytrykksspyleren som en høytrykksvasker

RIDGID-høytrykksspyleren kan også brukes som høytrykksvasker sammen med tilbehøret i høytrykkvaskpakken. Bruken som høytrykksvasker ligner på bruken som høytrykksspyler, og de instruksjonene skal brukes i sammenheng med de følgende:

- 1 Finn et passende arbeidssted.
- 2 Forsikre deg om at alt utstyr har blitt undersøkt grundig.
- 3 Fest høytrykksvaskeren til høytrykksslangen. Bruk alltid slange med et driftstrykk som er minst like høyt som høytrykksspylerens driftstrykk. Bruk en gjenneforsegling for å hindre lekkasjer.
- 4 Sett slangen på uttaket til høytrykksspyleren. Påse at slangeendene er korrekt tilkoblet for å hindre at de løsner under trykk.
- 5 Koble en egnet vannforsyning, som nevnt tidligere, til høytrykksspyleren.
- 6 Åpne inntaksforsyningsventilen og klem høytrykksvaskeren for å la vannet strømme og rense systemet for eventuell luft. Ikke start motoren uten at vannforsyningen er skrudd på. Det kan skade pumpen.
- 7 Påse at pulsaktuatorspaken er rotert mot urviseren i "Trykk"-stilling.
- 8 Justering av høytrykksvaskerdyse – Ved å rotere dysen, kan vannspruten justeres fra en fin strøm til en bred vifteformet sprut. Trykket kan justeres ved å dra dysen fremover (lavt trykk) og bakover (høyt trykk) Påse at dysen dras tilbake til høytrykksstilling før bruk.



Figur 17 – Justering av høytrykksvaskerdyse

- 9 Høytrykksvaskersperre – Høytrykksvaskeren har en sperre bak på utløseren. Aktiver sperren for å hindre at utløseren aktiveres når høytrykksvaskeren ikke er i bruk.
- 10 Pek høytrykksvaskeren i en trygg retning, trykk inn utløseren for å redusere trykk og starte motoren. Følg startinstruksjonene i motorhåndboken for å starte motoren. La motoren få varme seg opp. Slipp opp utløseren så snart motoren starter.
- 11 Pek høytrykksvaskeren i en trygg retning, og trykk inn utløseren. Skru avlastningsventilen mens du overvåker trykkmåleren for å justere trykket etter behov. Ikke overskrid maskinens driftstrykk. Slipp opp høytrykksvaskerens utløser.

### Bruke høytrykksvasker

- 1 Bruk begge hendene til å holde og rette høytrykksvaskeren for bedre styring. Ikke rett høytrykksvaskeren mot personer. Væske under høyt trykk kan bli sprøytet inn under huden og resultere i alvorlig personskade. Ikke rett høytrykksvaskeren mot elektrisk utstyr eller ledninger for å redusere risiko for elektrisk støt.
- 2 Kontroller vannstrømmen med utløseren. Vær forsiktig ved bruk av høytrykksvasker. Å holde dysen for nær en overflate kan skade dysen. Prøv på et lite, diskret område for å kontrollere at innstillingene virker etter behov.
- 3 Ikke kjør høytrykksspyleren i en lengre periode med utløseren i av-stilling. Når utløseren er i av-stilling resirkuleres vannet i pumpen og forårsaker oppvarming av vannet. Dette kan føre til at pumpens termiske overlast åpner seg.
- 4 Når du er ferdig med høytrykksvaskingen, slipp opp utløseren og skru av motoren som anvist i motorhåndboken. Trykk inn utløseren for å slippe ut systemtrykk. Ikke forlat systemet når det er under trykk.

### Rensemiddelinjektør

- 1 Ved behov, sett resemiddelinjektoren på uttaksporten. Fjern uttaksslangen og sett på resemiddelinjektoren slik at pilen på enheten peker i samme retning som vannstrømmen. Bruk en gjengetetning for å hindre lekkasjer. Sett på uttaksslangen igjen.
- 2 Sett hevertslangen på resemiddelinjektoren. Plasser slangens silende i resemiddelbeholderen. Bruk kun resemidler som er laget for bruk med høytrykksvaskere. Følg alle resemiddelinstruksjoner. Ikke spray brennbare væsker eller giftige kjemikalier. Andre resemidler, løsemidler, rengjøringsmidler o.l. kan skade høytrykksspyleren eller forårsake alvorlig personsskade.



- 3 Ved høytrykksvask dispenseres rensedmidler kun når dysen til høytrykksvaskeren er i lavtrykkstilling. Dra dysen fremover til lavtrykkstilling for å dispensere rensedmiddel.
- 4 Ved bruk kan rensedmiddelmengden justeres ved å vri rensedmidelinjektorens hylse: mot urviseren for å øke den, med urviseren for å redusere den.
- 5 Når du er ferdig med å påføre rensedmiddel, fjern silen fra rensedmiddelet, legg den i en bøtte med rent vann og skylle rensedmiddelet ut av systemet.

## Instruksjoner for vedlikehold

### ⚠ ADVARSEL

**Før du utfører vedlikehold skal motorbryteren være i av-stilling og tennpluggledninger frakoblet for å hindre utilsiktet start. Trykk inn fotventilen eller høytrykksvaskerutløseren for å slippe ut eventuelt trykk i systemet.**

**Bruk alltid sikkerhetsbriller og hansker ved utføring av vedlikehold for beskyttelse mot avløpskjemikalier og bakterier.**

### Rengjøring

Slangen skal rengjøres etter behov med varmt såpevann og/eller desinfiserende midler. Ikke la vann komme inn i motoren eller det elektriske systemet. Ikke rengjør med høytrykksvasker. Tørk av enheten med en fuktig klut.

### Motor

Vedlikehold motoren som anvist i den medfølgende motorhåndboken.

### Smøre pumpen

Kontroller pumpens oljenivå før bruk. Plasser høytrykksspyleren på et plant underlag. Tørk av eventuelt smuss fra peilepinneområdet, og ta ut peilepinnen for å kontrollere oljenivået. Ved behov, fyll på SEA 30W ikke-rensende olje. Ikke fyll på for mye. Sett peilepinnen inn igjen.

Skift oljen i pumpen etter de første 50 driftstimene, og etter hver 500. driftstime deretter. Når pumpen er varm fra drift, fjern pluggen i bunnen av pumpen og tapp oljen i en passende beholder. Sett pluggen inn igjen. Fyll på med omtrent 32 unser / 0,9 l med SAE 30W ikke-rensende olje ifølge kontrollprosedyren.

### Smøre girkasse

Kontroller girkassens oljenivå før bruk. Plasser høytrykksspyleren på et plant underlag. Tørk av eventuelt smuss fra peilepinneområdet, og ta ut peilepinnen for å kontrollere oljenivået. Ved behov, fyll på SEA 90W gir-olje. Ikke fyll på for mye. Sett peilepinnen inn igjen.

Skift olje i girkassen hver 500. driftstime. Når girkassen er varm fra drift, fjern pluggen i bunnen av girkassen og tapp oljen i en passende beholder. Sett pluggen inn igjen. Fyll på med omtrent 8 unser / 0,2 l med SAE 90W gir-olje ifølge kontrollprosedyren.

### Forberede pumpen for kald oppbevaring

**MERK** Hvis høytrykksspyleren skal oppbevares i temperaturer som er nær eller lavere enn 32°F / 0°C, må den forberedes på korrekt måte. Hvis vannet fryser i pumpen, kan det skade den.

Det finnes to metoder for å forberede høytrykksspyleren på kald oppbevaring. Den første er å åpne alle ventiler i systemet og bruke trykkluft for å tvinge eventuelt vann ut av systemet. Dette kan også gjøres for å fjerne vann fra slangene.

Den andre metoden er å bruke frostvæske (frostvæske uten etylenglykol). Ikke bruk frostvæske med etylenglykol i høytrykkspumpen. Etylenglykol kan ikke brukes i dreneringssystemer.

- 1 Sett en 3' / 90 cm slangedel på inntaksforsyningsventilen og åpne ventilen.
- 2 Sett slangeenden i beholderen med RV-frostvæske.
- 3 Fjern dysen fra slangeenden.
- 4 Start høytrykksspyleren og kjør til frostvæsken kommer ut av slangeenden.

## Tilbehør

### ⚠ ADVARSEL

**For å redusere risikoen for alvorlig personskade er det viktig at du kun bruker tilbehør som er spesielt designet og anbefalt for bruk med RIDGID-høytrykksspylere, som de som er oppført nedenfor. Annet tilbehør som passer sammen med andre verktøy kan være farlig hvis det benyttes sammen med RIDGID-høytrykksspylere.**

**KJ-2200 høytrykksdyser og -slanger**

Katalognr.	Modell-nr.	Beskrivelse	Slange ID tomme / mm	Slange YD tomme / mm
64772	H-61	Fremdriftsdyse $\frac{1}{8}$ " / 3,2 mm NPT		
64777	H-62	Gjennomtrengende dyse Passer til $\frac{1}{4}$ " / 6,4 mm slange		
64782	H-64	Dyse med stillbart bor		
82842	H-65	Roterende dyse 2200		
64787	H-71	Fremdriftsdyse $\frac{1}{4}$ " / 6,4 mm NPT		
64792	H-72	Gjennomtrengende dyse Passer til $\frac{1}{2}$ " / 13 mm slange		
82852	H-75	Roterende dyse 2200		
47592	H-1425	$\frac{1}{4}$ " x 25' / 6,4 mm x 7,6 m	$\frac{3}{16}$ / 4,8	$\frac{1}{4}$ / 6,4
47597	H-1435	$\frac{1}{4}$ " x 35' / 6,4 mm x 10,7 m	$\frac{3}{16}$ / 4,8	$\frac{1}{4}$ / 6,4
47602	H-1450	$\frac{1}{4}$ " x 50' / 6,4 mm x 15,2 m $\frac{1}{4}$ " / 6,4 mm vannlås-slange	$\frac{3}{16}$ / 4,8	$\frac{1}{4}$ / 6,4
49272	H-1475	$\frac{1}{4}$ " x 75' / 6,4 mm x 22,9 m Oransje	$\frac{3}{16}$ / 4,8	$\frac{1}{4}$ / 6,4
49277	H-1400	$\frac{1}{4}$ " x 100' / 6,4 mm x 30,5 m	$\frac{3}{16}$ / 4,8	$\frac{1}{4}$ / 6,4
64732	H-1415	$\frac{1}{4}$ " x 150' / 6,4 mm x 45,7 m	$\frac{3}{16}$ / 4,8	$\frac{1}{4}$ / 6,4
50002	HL-1	Fleksibel leder $\frac{1}{4}$ " / 6,4 mm	$\frac{1}{8}$ / 3,2	$\frac{3}{16}$ / 4,8
50007	HL-2	Fleksibel leder $\frac{1}{2}$ " / 13 mm	$\frac{1}{8}$ / 3,2	$\frac{3}{16}$ / 4,8
47607	H-1250	$\frac{1}{2}$ " x 50' / 13 mm x 15,2 m	$\frac{1}{4}$ / 6,4	$\frac{1}{2}$ / 13
47612	H-1275	$\frac{1}{2}$ " x 75' / 13 mm x 22,9 m	$\frac{1}{4}$ / 6,4	$\frac{1}{2}$ / 13
47617	H-1200	$\frac{1}{2}$ " x 100' / 13 mm x 30,5 m	$\frac{1}{4}$ / 6,4	$\frac{1}{2}$ / 13
51587	H-1211	$\frac{1}{2}$ " x 110' / 13 mm x 33,5 m $\frac{1}{2}$ " / 13 mm høytrykkslange	$\frac{1}{4}$ / 6,4	$\frac{1}{2}$ / 13
49487	H-1215	$\frac{1}{2}$ " x 150' / 13 mm x 45,7 m Svart	$\frac{1}{4}$ / 6,4	$\frac{1}{2}$ / 13
51597	H-1220	$\frac{1}{2}$ " x 200' / 13 mm x 61 m	$\frac{1}{4}$ / 6,4	$\frac{1}{2}$ / 13

**Tilbehør for KJ-2200 høytrykksspyler**

Katalognr.	Modell-nr.	Beskrivelse
62882	H-5	Minislangetrommel (slange ikke inkludert)
64737	H-30	H-30 vogn med slangetrommel
62877	H-30 WH	H-30 vogn med slangetrommel og 110' / 33,5 m x $\frac{1}{2}$ " / 13 mm høytrykkslange
64077	HP-22	Trykkvaskpakke KJ-2200
64767	HW-22	Høytrykksvasker KJ-2200
51572	H-1235	Høytrykksvaskeslange $\frac{1}{2}$ " / 13 mm x 35' / 10,7 m
48157	FV-1	Fotventil
66732	HF-4	Hurtigkoblingslange
48367	H-25	Vinterforberedelsessett
47542	H-21	Dyserenseverktøy
67187	H-32	Jet Vac

**KJ-3100 avløpsrensedyser og -slanger**

Katalognr.	Modell-nr.	Beskrivelse	Slange ID tomme / mm	Slange YD tomme / mm
38698	H-101	Fremdriftsdyse $\frac{1}{8}$ " / 3,2 mm NPT		
38713	H-102	Gjennomtrengende dyse Passer til $\frac{1}{4}$ " / 6,4 mm slange		
38703	H-104	Dyse med stillbart bor		
38723	H-105	$\frac{1}{8}$ " / 3,2 mm roterende dyse		
38693	H-111	Fremdriftsdyse $\frac{1}{4}$ " / 6,4 mm NPT		
38708	H-112	Gjennomtrengende dyse Passer til $\frac{3}{8}$ " / 9,5 mm slange		
38718	H-1155	$\frac{1}{4}$ " / 6,4 mm NPT roterende dyse		
16713	RR3000	Rotkutterdyse 3000		
47592	H-1425	$\frac{1}{4}$ " / 6,4 mm x 25' / 7,6 m vannlås-slange	$\frac{3}{16}$ / 4,8	$\frac{1}{4}$ / 6,4
47597	H-1435	$\frac{1}{4}$ " / 6,4 mm x 35' / 10,7 m vannlås-slange	$\frac{3}{16}$ / 4,8	$\frac{1}{4}$ / 6,4
47602	H-1450	$\frac{1}{4}$ " / 6,4 mm x 50' / 15,2 m Oransje	$\frac{3}{16}$ / 4,8	$\frac{1}{4}$ / 6,4
49272	H-1475	$\frac{1}{4}$ " / 6,4 mm x 75' / 22,9 m vannlås-slange	$\frac{3}{16}$ / 4,8	$\frac{1}{4}$ / 6,4
49277	H-1400	$\frac{1}{4}$ " / 6,4 mm x 100' / 30,5 m vannlås-slange	$\frac{3}{16}$ / 4,8	$\frac{1}{4}$ / 6,4
64732	H-1415	$\frac{1}{4}$ " / 6,4 mm x 150' / 45,7 m vannlås-slange	$\frac{3}{16}$ / 4,8	$\frac{1}{4}$ / 6,4
64827	H-3835	$\frac{3}{8}$ " / 9,5 mm x 35' / 10,7 m vannlås-slange	$\frac{3}{8}$ / 9,5	$\frac{5}{8}$ / 16
64832	H-3850	$\frac{3}{8}$ " / 9,5 mm x 50' / 15,2 m høytrykks-/vaskeslange	$\frac{3}{8}$ / 9,5	$\frac{5}{8}$ / 16
64837	H-3810	$\frac{3}{8}$ " / 9,5 mm ID x 100' / 30,5 m høytrykkslange	$\frac{3}{8}$ / 9,5	$\frac{5}{8}$ / 16
64842	H-3815	$\frac{3}{8}$ " / 9,5 mm ID x 150' / 45,7 m Svart høytrykkslange	$\frac{3}{8}$ / 9,5	$\frac{5}{8}$ / 16
64847	H-3820	$\frac{3}{8}$ " / 9,5 mm ID x 200' / 61 m høytrykkslange	$\frac{3}{8}$ / 9,5	$\frac{5}{8}$ / 16
64852	H-3825	$\frac{3}{8}$ " / 9,5 mm ID x 250' / 76,2 m høytrykkslange	$\frac{3}{8}$ / 9,5	$\frac{5}{8}$ / 16
64857	H-3830	$\frac{3}{8}$ " / 9,5 mm ID x 300' / 91,4 m høytrykkslange	$\frac{3}{8}$ / 9,5	$\frac{5}{8}$ / 16

**Tilbehør for KJ-3100 høytrykksspyler**

Katalognr.	Modell-nr.	Beskrivelse
62882	H-5	Minislangetrommel
64862	H-38	Slangetrommel (passer KJ-3100)
64902	H-38 WH	Slangetrommel med 200' / 61 m x $\frac{3}{8}$ " / 9,5 mm ID slange (passer til KJ-3100)
64797	HW-30	Høytrykksvasker KJ-3100
48367	H-25	Vinterforberedelsessett
48157	FV-1	Fotventil
66732	HF-4	Hurtigkoblingslange (trommel til fotventil)
47542	H-21	Dyserenseverktøy
67187	H-32	Jet Vac

## Oppbevare maskinen

**⚠ ADVARSEL** Oppbevar høytrykksspyleren i et godt ventilert område som er beskyttet mot regn og snø. Oppbevar maskinen på et låst område som er utenfor rekkevidde for barn og personer som ikke er kjent med høytrykksspylere. Denne maskinen kan forårsake alvorlig personskade i hendene på brukere som ikke har fått opplæring. Se *delen Vedlikehold* for informasjon om kald oppbevaring. Se motorhåndboken for spesifikk informasjon om oppbevaring av motoren.

## Service og reparasjon

### ⚠ ADVARSEL

**Feilaktig service eller reparasjon kan gjøre maskinen utrygg å bruke.**

Instruksjoner for vedlikehold tar for seg de fleste servicebehovene for denne maskinen. Eventuelle problemer som ikke er dekket av denne delen, bør kun håndteres av en autorisert RIDGID-tekniker.

Verktøyet skal tas med til et uavhengig RIDGID-autorisert servicesenter, eller returneres til fabrikken.

For informasjon om RIDGIDs nærmeste uavhengige servicesenter eller eventuelle service- eller reparasjonsspørsmål:

- Kontakt din lokale RIDGID-distributør.
- Gå til [www.RIDGID.com](http://www.RIDGID.com) eller [www.RIDGID.eu](http://www.RIDGID.eu) for å finne din lokale RIDGID-kontakt.
- Kontakt RIDGIDs tekniske serviceavdeling på e-postadressen [rtctechservices@emerson.com](mailto:rtctechservices@emerson.com), eller ring (800) 519-3456 i USA og Canada.

## Avhending

Deler av høytrykksspyleren inneholder nyttige materialer som kan resirkuleres. Det kan finnes lokale selskaper som spesialiserer seg på resirkulering. Kasser komponentene i samsvar med alle gjeldende bestemmelser. Kontakt dine lokale myndigheter for mer informasjon om avfallshåndtering.



**For land i EU:** Ikke avhend elektrisk utstyr sammen med husholdningsavfall.

I henhold til europeiske retningslinjer 2002/96/EF for elektrisk- og elektronisk avfall og iverksettning i nasjonal lovgivning, må elektrisk utstyr som ikke lenger er brukbart samles separat, og avhendes på en miljømessig korrekt måte.

## Feilsøking

PROBLEM	ÅRSAK	KORRIGERING
Høytrykksspyleren kjører, men produserer lavt eller ikke noe trykk.	Utilstrekkelig vannforsyning.	Påse at vannforsyningskranen er <b>på</b> . ..... Påse at høytrykksspylerens vanninntaksventil er <b>på</b> . ..... Påse at vannforsyningsslangen har fri bane og ikke er knekt eller sammentrykt.
Høytrykksspyleren justerer ikke til fullt driftstrykk ved oppstart.	Luft er innestengt i systemet. ..... Høytrykksspylerne på dysen er blokkert	Fjern dysen fra avløpsrenseslangen, og kjør høytrykksspyleren for å rense systemet for luft/rusk. ..... Fjern dysen og rens høytrykksspyleråpningene med dyserenseverktøyet.
Høytrykksspylerens trykkmåler oscillerer fra 500 til fullt driftstrykk.	Høytrykksspylerne på dysen er blokkert. ..... Rusk eller luft er innestengt i systemet.	Fjern dysen. Bruk dyserenseverktøyet til å rense dyseåpningene: Velg korrekt ledningsstørrelse og dytt den helt gjennom hver enkelt høytrykksspyleråpning for å fjerne rusk. ..... Fjern dysen og sett høytrykksslangen inn i dreneringsslangen. Kjør høytrykksspyleren for å rense systemet for luft eller rusk.





# Painehuuhtelulaite

## KJ-2200/3100 Painehuuhtelulaitteet



KJ-3100



KJ-2200

### ⚠ VAROITUS!

Lue tämä käyttöohje huolellisesti ennen tämän työkalun käyttöä. Jos käyttöohjeen sisältö ymmärretään väärin tai sitä ei noudateta, seurauksena voi olla sähköisku, tulipalo ja/tai vakava loukkaantuminen.

### KJ-2200/3100 Painehuuhtelulaitteet

Merkitse sarjanumero alla olevaan tilaan ja säilytä tyyppikilvessä näkyvä tuotteen sarjanumero.

Sarjanro

--

## Sisältö

<b>Tallennuslomake koneen sarjanumerolle</b> .....	203
<b>Turvallisuussymbolit</b> .....	205
<b>Yleisiä turvallisuusohjeita</b> .....	205
Työalueen turvallisuus.....	205
Sähköturvallisuus.....	205
Henkilökohtainen turvallisuus.....	205
Työkalun käyttö ja huolto.....	206
Huolto.....	206
<b>Painehuuhtelulaitetta koskevat varoitukset</b> .....	206
<b>Kuvaus, tekniset tiedot ja vakiovarusteet</b> .....	207
Kuvaus.....	207
Tekniset tiedot.....	208
Symbolit.....	208
Vakiovarusteet.....	208
<b>Koneen asennus</b> .....	208
Moottoriöljy.....	208
Pumppu/vaihteistoöljy.....	208
KJ-2200 Kuljetusrattaat.....	209
KJ-3100 Kahvayksikkö.....	209
<b>Käyttöä edeltävä tarkastus</b> .....	209
<b>Laitteen ja työalueen valmistelu</b> .....	211
Vedensyöttö.....	212
Viemärin valmistelu.....	212
Ltkun asentaminen.....	213
PAINEHUUHTELULAITTEEN LETKUN VALINTATAULUKKO.....	214
PAINEHUUHTELULAITTEEN SUUTTIMEN VALINTATAULUKKO.....	214
<b>Käyttöohjeet</b> .....	215
Viemärin painehuuhtelu.....	216
Sykäystoiminnon käyttäminen.....	217
Painehuuhtelulaitteen käyttö painepesurina.....	218
Painepesurin käyttö.....	218
Pesuainesuutin.....	219
<b>Huolto-ohjeet</b> .....	219
Puhdistus.....	219
Moottori.....	219
Pumpun voitelu.....	219
Vaihteiston voitelu.....	219
Pumpun valmistelu kylmän sään säilytykseen.....	219
<b>Lisävarusteet</b> .....	220
<b>Laitteen varastointi</b> .....	221
<b>Huolto ja korjaus</b> .....	221
<b>Hävittäminen</b> .....	221
<b>Vianmääritys</b> .....	222
<b>Elinikäinen takuu</b> .....	Takakansi

\* Alkuperäisten ohjeiden käännös

## Turvallisuussymbolit

Tässä käyttöohjeessa ja tuotteessa annetaan tärkeitä turvallisuustietoja käyttämällä turvallisuussymboleja ja signaalisanoja. Tässä osiossa kuvataan nämä signaalisanat ja symbolit.



Tämä on turvallisuusasiasta varoittava symboli. Sitä käytetään varoittamaan vaaroista, joista voi olla seurauksena henkilövahinko. Noudata symbolin perässä annettuja turvallisuusohjeita, jotta vältät mahdollisen loukkaantumisen tai kuoleman.

### VAARA

VAARA tarkoittaa vaarallista tilannetta, josta on seurauksena kuolema tai vakava loukkaantuminen, ellei sitä vältetä.

### VAROITUS

VAROITUS tarkoittaa vaarallista tilannetta, josta voi olla seurauksena kuolema tai vakava loukkaantuminen, ellei sitä vältetä.

### VARO

VARO tarkoittaa vaarallista tilannetta, josta voi olla seurauksena lievä tai kohtuullinen loukkaantuminen, ellei sitä vältetä.

### HUOMAUTUS

HUOMAUTUS tarkoittaa tietoja, jotka koskevat omaisuusvahinkojen välttämistä.



Tämä symboli tarkoittaa, että käyttöohje on luettava huolellisesti ennen laitteen käyttämistä, jotta tapaturmariski vältetään. Käyttöohje sisältää tärkeitä tietoja laitteen turvallisesta ja oikeaoppisesta käytöstä.



Tämä symboli tarkoittaa, että tätä laitetta käytettäessä on aina käytettävä sivusuojuksilla varustettuja turvalaseja tai suojalaseja silmävaurioiden välttämiseksi.



Tämä symboli tarkoittaa korkeapaineisen veden kehonosiin suunnattaessa aiheuttamaa ihon lävistymisvaaraa.



Tämä symboli tarkoittaa painehuuhtelulaitteen letkun heittelehtemisvaaraa, joka aiheuttaa isku- tai ihon lävistymisvammoja.



Tämä symboli tarkoittaa hiilimonoksidin (häkä) hengitysvaaraa, josta voi seurata pahoinvointia, tajuttomuus tai kuolema.



Tämä symboli tarkoittaa bensiinistä ja muista lähteistä joutuvaa tulipalo- ja räjähdysvaaraa, joka voi aiheuttaa palovammoja ja muita henkilövahinkoja.

## Yleisiä turvallisuusohjeita

### VAROITUS

**Lue kaikki ohjeet huolellisesti. Jos kaikkia seuraavassa lueteltuja ohjeita ei noudateta, seurauksena saattaa olla sähköisku, tulipalo ja/tai vakava henkilövahinko.**

### SÄILYTÄ NÄMÄ OHJEET!

#### Työalueen turvallisuus

- Pidä työalue siistinä ja hyvin valaistuna. Epäsiistit penkit ja pimeät työalueet altistavat onnettomuudelle.
- Älä käytä sähkötyökaluja räjähdysriskissä ympäristöissä, kuten syttyvien nesteiden, kaasujen tai pölyn läheisyydessä. Sähkötyökaluista syntyy kipinöitä, jotka saattavat sytyttää pölyn tai höyryt.
- Älä käytä sähkötyökalua sivullisten, lasten tai vieraiden läheisyydessä. Häiriötekijät saattavat johtaa hallinnan menettämiseen.

#### Sähköturvallisuus

- Vältä koskemasta maadoitettuihin pintoihin, kuten putkiin, lämpöpattereihin, liesiin ja jääkaap-

peihin. Sähköiskun vaara kasvaa, jos vartalosi on maadoitettu.

#### Henkilökohtainen turvallisuus

- Ole valppaana, keskity tekemiseesi ja käytä maalaisjärkeä käyttäessäsi sähkötyökalua. Älä käytä työkalua väsyneenä tai huumeiden, alkoholin tai lääkkeiden vaikutuksen alaisena. Hetkellinen valppauden menettäminen sähkötyökaluja käytettäessä voi johtaa vakaviin henkilövahinkoihin.
- Pukeudu asianmukaisesti. Älä käytä löysiä vaatteita tai koruja. Peitä pitkät hiukset. Pidä hiukset, vaatteet ja käsineet erossa liikkuvista osista. Löysät vaatteet, korut tai pitkät hiukset voivat takertua liikkuviin osiin.
- Älä kurottele. Pidä jalkasi tukevalla alustalla ja säilytä tasapainosi. Tukevan asennon ja tasapainon avulla voit hallita työkalua paremmin yllättävissä tilanteissa.
- Käytä turvavarusteita. Käytä aina silmiensuojaimia. Hengityssuojainta, liukumattomilla pohjilla varustettuja turvakengkiä, suojakypärää tai kuulosuojaimia on käytettävä sellaisten olosuhteiden saavuttamiseksi, joissa loukkaantumisen riski on pienempi.

## Työkalun käyttö ja huolto

- **Älä pakota työkalua.** Käytä käyttötarkoitukseen soveltuvaa sähkötyökalua. Oikea työkalu suoriutuu tehtävästä paremmin ja turvallisesti.
- **Älä käytä sähkötyökalua, jos virtakytkin ei kytke sitä päälle ja pois.** Jos työkalua ei voi hallita kytkimellä, se on vaarallinen ja se on korjattava.
- **Säilytä työkalut lasten ja kouluttamattomien henkilöiden ulottumattomissa.** Työkalut ovat vaarallisia tottumattomien käyttäjien käsissä.
- **Pidä hyvää huolta työkaluista. Pidä leikkaustyökalut terävinä ja puhtaina.** Hyvin hoidetut ja terävät leikkaustyökalut takertelevat vähemmän ja ovat helpompia hallita.
- **Tarkasta kulmavirheet ja liikkuvien osien kiinnitys, osien eheys ja muut työkalun käyttöön vaikuttavat seikat. Korjauta vaurioitunut työkalu ennen käyttöä.** Monet onnettomuudet johtuvat huonosti huolletuista työkaluista.
- **Käytä vain lisävarusteita, joita valmistaja suosittelee käytettäväksi laitemallisi kanssa.** Yhteen työkaluun sopivat lisävarusteet voivat olla toisessa työkalussa vaarallisia.

## Huolto

- **Työkalun huolto on aina annettava pätevän huoltohenkilöstön tehtäväksi.** Epäpätevän henkilökunnan suorittama huolto tai kunnossapito voi johtaa loukkaantumisvaaraan.
- **Kun huollat työkalua, käytä aina alkuperäisten kanssa identtisiä varaosia. Noudata tämän käyttöohjeen Kunnossapito-jakson ohjeita.** Hyväksymättömien osien käyttö tai huolto-ohjeiden laiminlyöntistä voi aiheutua sähköisku- tai loukkaantumisvaara.

## Painehuuhtelulaitetta koskevat varoitukset

### ▲ VAROITUS

Tämä kohta sisältää nimenomaan tähän työkaluun liittyviä tärkeitä turvallisuusohjeita.

Lue nämä turvallisuustiedot huolellisesti ennen viemärinavauslaitteen käyttöä, jotta pienennät sähköiskun tai muun vakavan loukkaantumisen vaaraa.

### SÄILYTÄ KAIKKI VAROITUKSET JA OHJEET MYÖHEMPÄÄ KÄYTTÖÄ VARTEN!

Säilytä tämä käyttöohje laitteen läheisyydessä, jotta se on käyttäjän käytettävissä.

- **Älä koskaan käytä painehuuhtelulaitetta, kun sen letkun pää on ulkona viemäristä.** Letku voi heilahtaa ja aiheuttaa iskuvammoja tai suihku voi lävistää ihon ja aiheuttaa henkilövahingon.
- **Korkeapaineinen vesi voi läpäistä ihon ja aiheuttaa vakavan henkilövahingon, jopa amputaation.** Älä suuntaa suihkua ihmisiin tai eläimiin.
- **Älä käytä painehuuhtelulaitetta ilmoitettua suuremmalla paineella tai jos tuloveden lämpötila on yli 140°F / 60°C.** Tämä lisää henkilövahinkojen ja palovammojen vaaraa ja saattaa vaurioittaa painehuuhtelulaitetta.
- **Saman henkilön on ohjattava sekä suihkutusprosessia että jalkaventtiiliä. Käytä aina jalkaventtiiliä.** Jos painehuuhtelulaitteen letku tulee ulos viemäristä, käyttäjän on pystyttävä katkaisemaan vedensyöttö letkun heilahtusvaaran estämiseksi, joka voi aiheuttaa iskuvammoja ja korkeapaineisen veden aiheuttamia ihonläpäisyvammoja.
- **Käytä aina asianmukaisia turvavarusteita käsitellessäsi ja käyttäessäsi viemärinavauslaitteita.** Viemäreissä voi olla kemikaaleja, bakteereja ja muita aineita, jotka voivat olla myrkyllisiä tai aiheuttaa infektioita, palovammoja tai muita ongelmia. Asianmukaisiin henkilökohtaisiin suojarusteisiin sisältyvät aina suojalasit ja käsineet, sekä mahdollisesti lateksi- tai kumikäsineet, kasvonsuojaimet, suojalasit, suojavaatteet, hengityksensuojaimet ja turvajalkineet.
- **Noudata hyvää hygieniää. Pese kädet ja muut viemärin sisällölle altistuneet kehonosat kuumalla saippuavedellä viemärinavauslaitteiden käsittelyn tai käytön jälkeen.** Älä syö tai tupakoi käyttäessäsi tai käsitellessäsi viemärinavauslaitteita. Tämä ehkäisee myrkyllisistä tai tulehduksia aiheuttavista aineista johtuvaa saastumista.
- **Älä suihkuta myrkyllisiä tai syttyviä nesteitä.** Tämä vähentää tulipalon, räjähdysten, palovammojen ja muiden henkilövahinkojen vaaraa.
- **Bensiini ja sen höyryt ovat erittäin herkästi syttyviä ja räjähdysvaarallisia.** Katso moottorin käsikirjasta varoimenpiteet räjähdysten, palovammojen ja vakavien henkilövahinkojen välttämiseksi bensiiniä käsiteltäessä ja käytettäessä.
- **Moottorit muodostavat häkää, joka on väritön ja hajuton myrkyllinen kaasu. Hiilimonoksidin (häkä) hengittäminen voi aiheuttaa pahoinvointia, tajuttomuuden tai kuoleman.** Älä käynnistä ja käytä moottoria suljetussa tilassa, vaikka ovet ja ikkunat ovat auki. Käytä vain ulkona.



- **Kuumat pinnat voivat aiheuttaa palovammoja ja tulipalon.** Pidä kehosi ja syttyvät materiaalit kaukana kuumista pinnoista.
- **Lue ja ymmärrä tämä käyttöohje, moottorin käsikirja sekä kaikkien tämän työkalun kanssa käytettävien laitteiden varoitukset ja ohjeet ennen käyttöä.** Jos kaikkia varoituksia ja ohjeita ei noudateta, seurauksena voi olla omaisuusvahinkoja tai vakava henkilövahinko.

EY-vaatimustenmukaisuusvakuutus (890-011-320.10) toimitetaan pyydetessä käyttöohjeen mukana erillisenä vihkosena.

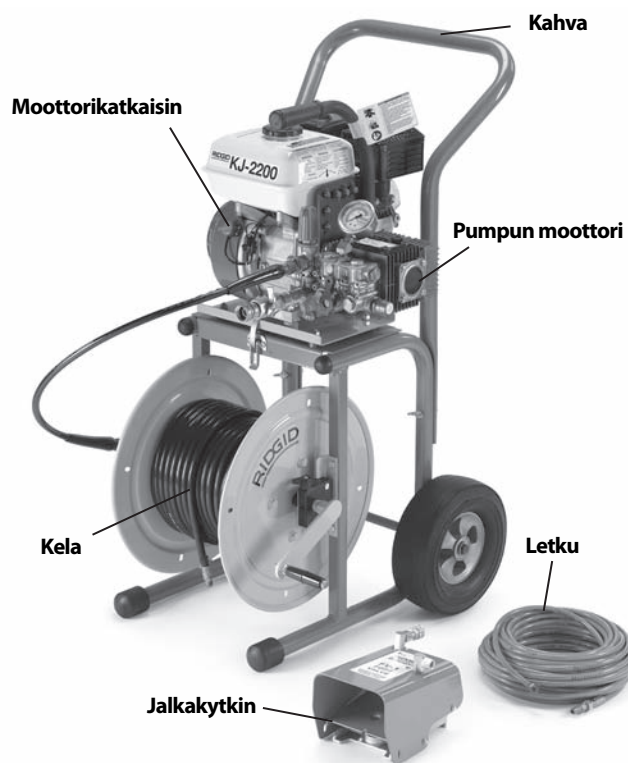
Jos sinulla on kysyttävää tästä RIDGID®-tuotteesta:

- Ota yhteys paikalliseen RIDGID-jälleenmyyjään.
- Lähimmän RIDGID-edustajan löydät osoitteesta [www.RIDGID.com](http://www.RIDGID.com) tai [www.RIDGID.eu](http://www.RIDGID.eu).
- RIDGIDin tekniseen palveluasastoon saa yhteyden lähettämällä sähköpostia osoitteeseen [rtctechservices@emerson.com](mailto:rtctechservices@emerson.com) tai soittamalla Yhdysvalloissa ja Kanadassa numeroon (800) 519-3456.

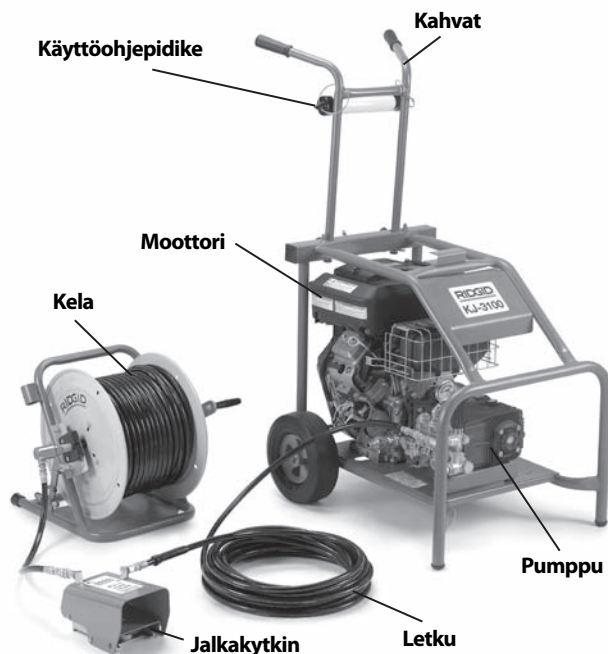
## Kuvaus, tekniset tiedot ja vakiovarusteet

### Kuvaus

RIDGIDin® moottorikäyttöiset painehuuhtelulaitteet ovat siirrettäviä korkeapainehuuhtelijoita, joiden vedenpaine ja vesivirtaus yhdessä puhdistavat rasvan, liejun, lietteen ja juuret viemäreistä. Erittäin taipuisa ja kevyt letku työnnetään viemäriin suuttimen taaksepäin suunnattujen suihkureikien avulla ja takaisin vedettäessä se hankaa ja huuhtelee roskat pois putkilinjasta. Sykäystoiminto helpottaa hankalien mutkien ja loukkujen avaamista. Kaikissa koneissa on bensiinimoottori kolmimäntäpumpun käyttämiseksi.



Kuva 1 – KJ-2200 Painehuuhtelulaite



Kuva 2 – KJ-3100 Painehuuhtelulaite



Kuva 3 – Koneen sarjanumero

Koneen sarjanumero on merkitty sen runkoon. 4 viimeistä numeroa ilmoittavat valmistuskuukauden ja -vuoden. (08 = kuukausi, 10 = vuosi).

### Tekniset tiedot

Painehuuhtelulaite Malli	Moottori HV	Paine PSI / bar
KJ-2200	6.5 / 6,5	2200 / 150
KJ-3100	16	3000 / 205

Virtaus GPM / litraa	Viemärilinjän kapasiteetti tuumaa / mm	Paino (ilman letkukelaa) lbs / kg
2.4 / 9	1 1/4 - 6 / 32 - 152	65 / 30
5.5 / 20	2 - 10 / 50 - 250	262 / 119

### Symbolit



### Vakiovarusteet

Kaikkien painehuuhtelulaitteiden mukana toimitetaan

- Painehuuhtelusuuttimet
- Suuttimen puhdistustyökalu
- FV-1-jalkaventtiili
- Moottorin käyttöohje

Katso kunkin laitteen mukana toimitettavat erikoisvarusteet RIDGID-luettelosta.

**HUOMAUTUS** Kone on tarkoitettu viemärien puhdistukseen. Oikein käytettynä se ei vahingoita hyväkuntoisia ja oikein suunniteltuja, rakennettuja ja huollettuja viemäreitä. Jos viemäri on huonokuntoinen tai sitä ei ole suunniteltu, rakennettu ja huollettu oikein, viemärinpuhdistus ei välttämättä ole tehokasta tai saattaa vahingoittaa viemäriä. Paras tapa määrittää viemärin

kunto ennen puhdistusta on silmämääräinen tarkastus kameran avulla. Painehuuhtelulaitteen virheellinen käyttö voi vahingoittaa sekä laitetta että viemäriä. Laitte ei välttämättä avaa kaikkia tukoksia.

### Koneen asennus

#### ⚠ VAROITUS

**Noudata näitä asennusohjeita vakavien henkilövahinkojen välttämiseksi käytön aikana ja koneen vaurioitumisen estämiseksi.**

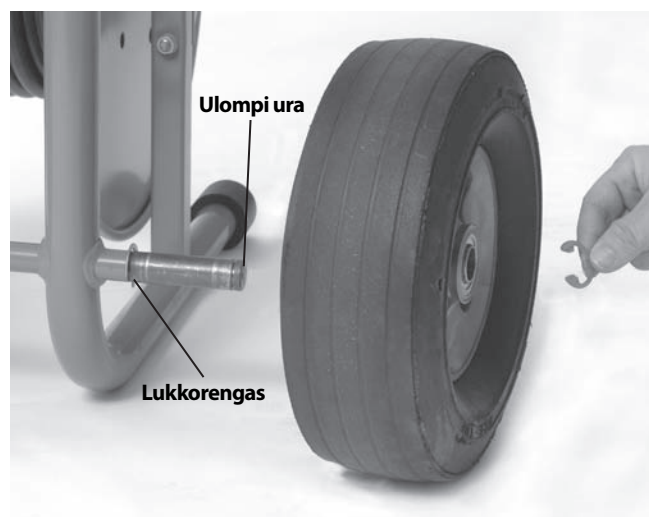
### Moottoriöljy

**HUOMAUTUS** Painehuuhtelulaite toimitetaan ilman moottoriöljyä. Moottorin käyttäminen ilman öljyä aiheuttaa moottorivaurion. Täytä öljyä ennen käyttöä. Katso lisätiedot öljyn lisäämisestä ja öljyalaadun valinnasta toimitetusta moottorin käyttöohjeesta.

### Pumppu/vaihteistoöljy

**Pumppu:** Irrota tulppa pumpun päältä ja korvaa se mittapuikolla/huohotinkorkilla. Painehuuhtelulaitteen käyttäminen tulpan ollessa paikallaan voi vahingoittaa pumpun tiivisteitä. Tarkasta öljytaso *Huolto-ohjeiden mukaisesti*.

**Vaihteisto (vain KJ-3100):** Vaihda pumpun päällä olevan tulpan tilalle mittapuikko/huohotinkorkki. Painehuuhtelulaitteen käyttäminen tulpan ollessa paikallaan voi vahingoittaa vaihteiston tiivisteitä. Tarkasta voiteluöljytaso *Huolto-ohjeiden mukaisesti*.



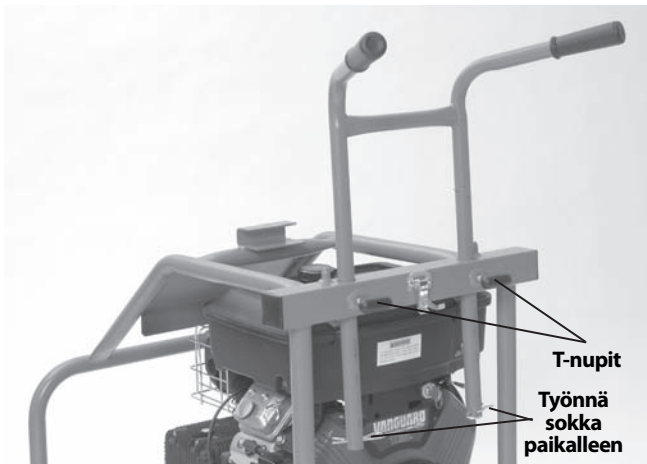
Kuva 4 – KJ-2200:n asennus

### KJ-2200 Kuljetusrattaat

1. Asenna lukkorengas akselin kummankin pään sisempään uraan. (Katso kuva 4.)
2. Työnnä pyörä akselin kumpaankin päähän.
3. Kiinnitä pyörä asentamalla lukkorengas akselin kummankin pään ulompaan uraan.
4. Kiinnitä kahva runkoon toimitetuilla pulteilla ja siipimuttereilla.
5. Nosta moottori/pumppu kärryyn ja kohdista pohjalevyn reiät kärryjen yläosassa oleviin tappeihin. Kiinnitä moottori/pumppu kärryissä olevilla salvoilla. Varmista, että asennus on kunnolla kiinni.

### KJ-3100 Kahvayksikkö

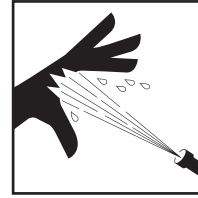
1. Työnnä kahva rungon takimmaisessa poikittaistangossa olevan kahden reiän läpi. (Katso kuva 5.)
2. Työnnä sokat kahvan alaosan reikien läpi kahvan ulosvetämisen estämiseksi.
3. Kierrä T-nupit takimmaiseen poikittaistankoon. Säädä kahvat ja lukitse ne kiristämällä T-nupit.



Kuva 5 – KJ-3100 Kahva-asennus

### Käyttöä edeltävä tarkastus

#### VAROITUS



**Tarkista painehuuhtelulaite ennen jokaista käyttökertaa ja korjaa mahdolliset ongelmat korkeapainaisen veden ja muiden syiden aiheuttamien vakavien henkilövahinkojen ja laitteen vaurioitumisen estämiseksi.**

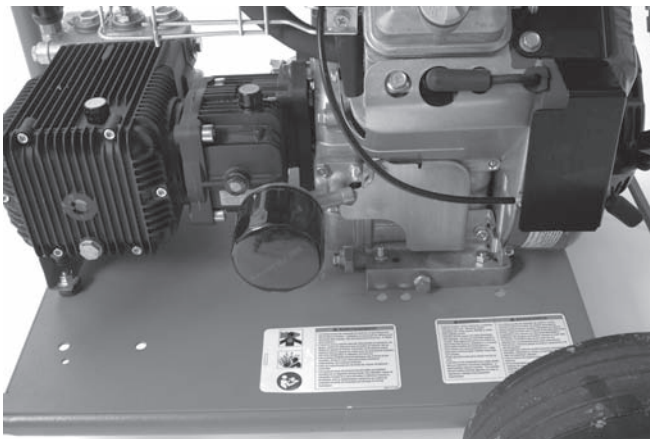
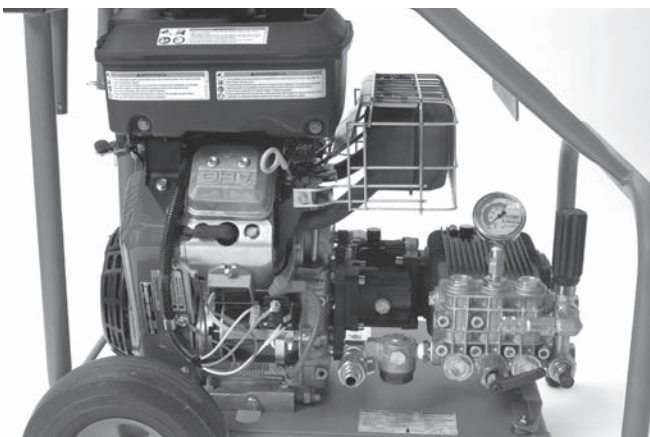
**Suojaudu viemärikemikaaleilta ja bakteereilta painehuuhtelulaitetta tarkastettaessa käyttämällä aina suojalaseja, käsineitä ja sopivia suojaruusteita.**

1. Varmista, että moottorin katkaisin/avain on OFF-asennossa.
2. Puhdista työkalu, etenkin kahvat ja säätimet, öljystä, rasvasta ja liasta. Tämä helpottaa laitteen tarkastusta ja estää laitteen tai sen ohjaimen irtoamisen otteestasi.
3. Tarkasta painehuuhtelulaite ja lisävarusteet seuraavilta kohdilta:
  - Oikea asennus ja täydellisyys.
  - Rikkoutuneet, kuluneet, puuttuvat, väärin kohdistetut, juuttuneet tai löystyneet osat.
  - Laitteen varoitustarrat ja niiden luettavuus. (Katso kuva 6.)
  - Mahdolliset muut seikat, jotka voivat estää turvallisen ja normaalin käytön.

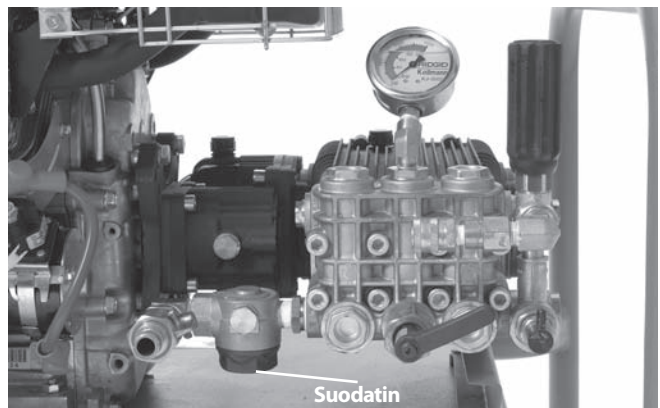
Jos havaitset ongelmia, korjaa ne ennen painehuuhtelulaitteen käyttöä.



Kuva 6A – KJ-2200:n varoitustarrat


**Kuva 6B – KJ-2200:n varoitustarrat**

**Kuva 6C – KJ-3100:n varoitustarrat**

**Kuva 6D – KJ-3100:n varoitustarrat**

4. Puhdista tulovesisuodatin/suodattimen pesin. Avaa tulovesisuodattimen pohjassa oleva kansi puhdistusta varten. Lika ja roskat voivat rajoittaa veden virtausta pumppuun ja aiheuttaa teho-ongelmia.


**Kuva 7 – Tulovesisuodatin/Suodattimen pesin**

5. Tarkasta suuttimen aukot vikojen ja tukosten varalta. Tukokset voidaan puhdistaa suuttimen puhdistustyökälulla. Varo, etteivät suuttimen aukot laajene puhdistuksen aikana. Vialliset suuttimet tai suuttimet, joiden aukot ovat suurentuneet, voivat heikentää painehuhtelulaitteen tehoa ja ne on vaihdettava.
6. Tarkasta letkut ja liittimet kulumisen ja vaurioiden varalta. Jos letkussa on sykkyyriä, murtumia, halkeamia tai sen ulkovaippa on kulunut puhki tai letkussa on jokin muu vaurio, älä käytä sitä. Vialliset letkut voivat haljeta ja vuotaa korkeapaineista vettä aiheuttaen vakavan henkilövahingon. Vaihtoletkujen ja -liittimien nimellisarvojen on vastattava vähintään painehuhtelulaitteen painetta.
7. Tarkasta ja huolla moottori moottorin käyttöohjeen mukaisesti.
8. Tarkasta moottorin polttoainetaso. Irrota KJ-3100:ssa letkukelan salpa ja pyöritä letkukelaa eteenpäin, kunnes se on runkoa vasten niin, että moottorin bensiinikorkki tulee näkyviin *kuva 8*. Lisää tarvittaessa lyijytöntä bensiiniä. Katso tarkemmat tiedot moottorin käyttöohjeesta. Ole varovainen bensiiniä käsitellessä. Tankkaa hyvin ilmastoidulla alueella. Älä tankkaa liian täyteen äläkä roiskuta polttoainetta. Varmista, että polttoainesäiliön korkki on kunnolla kiinni.





Kuva 8 – KJ-3100 Polttoainesäiliö

9. Tarkasta pumpun ja vaihteiston (jos varusteena) öljytaso ja lisää tarvittaessa öljyä (ks. *Huolto-ohjeet*).

## Laitteen ja työalueen valmistelu

### ▲ VAROITUS



**Suojaudu viemärikemikaaleilta ja bakteereilta painehuuhtelulaitetta valmisteltaessa käyttämällä aina suojalaseja, käsineitä ja sopivia suojavarusteita. Kumipohjaiset ja luistamattomat kengät voivat estää liukastumisia märillä pinnoilla.**

**Moottorit muodostavat häkää, joka on väritön ja hajuton myrkyllinen kaasu. Hiilimonoksidin (häkä) hengittäminen voi aiheuttaa pahoinvointia, tajuttomuuden tai kuoleman. Älä käynnistä ja käytä moottoria suljetussa tilassa, vaikka ovet ja ikkunat ovat auki. Käytä vain ulkona.**

**Vähennä korkeapaineisesta vedestä, kemikaalien aiheuttamista palovammoista, infektiosta, hiilimonoksidista ja muista syistä johtuvien henkilövähinköiden vaaraa ja estä painehuuhtelulaitteen vaurioituminen valmistelemalla painehuuhtelulaitte ja työalue näiden ohjeiden mukaan.**

1. Tarkasta, onko työalueella:
  - Kunnollinen valaistus.
  - Syttyviä nesteitä, höyryjä tai pölyä. Älä työskentele alueella, ennen kuin ongelmat on tunnistettu ja korjattu. Painehuuhtelulaite ei ole räjähdyksenkestävä, ja se voi kipinöidä.
  - Siisti, tasainen, tukeva ja kuiva paikka koneelle ja käyttäjälle. Poista vesi tarvittaessa työskentelyalueelta. Puu- ja muut peitteet voidaan joutua poistamaan.
  - Hyvin ilmastoitu ulkoalue painehuuhtelulaitteelle. Älä sijoita painehuuhtelulaitetta sisälle, vaikka ovet ja ikkunat ovat auki. Painehuuhtelulaite voidaan sijoittaa etäälle käyttöpaikasta.
  - Sopiva vedensyöttö.
  - Esteetön reitti painehuuhtelulaitteen kuljettamiseksi käyttöpaikalle.
2. Tarkasta puhdistettava viemäri. Selvitä mahdollisuuksien mukaan pääsyreitit viemäriin, viemäriin koko ja pituus, etäisyys säiliöihin tai pääviemäriin, tukoksen luonne, viemäriin puhdistuskemikaalien ja muiden kemikaalien esiintyminen jne. Jos viemäriin on kemikaaleja, on tärkeää ymmärtää näiden kemikaalien lähistöllä suoritettaviin töihin liittyvät turvallisuustienpiteet. Pyydä tarvittavat tiedot kemikaalin valmistajalta.

Irrota tarpeen mukaan kalusteet (WC-istuin jne.), jotta pääset käsiksi viemäriin. Älä syötä letkua kalusteen kautta. Tämä voi vahingoittaa letkua ja kalustetta.

3. Määritä käyttökohteeseen soveltuvat laitteet. Katso näiden painehuuhtelulaitteiden tiedot kohdasta *Tekniset tiedot*. Muihin käyttökohteisiin sopivia viemäriinpuhdistus- ja painehuuhtelulaitteita on RIDGID-luettelossa netissä osoitteessa [www.RIDGID.com](http://www.RIDGID.com) tai [www.RIDGID.eu](http://www.RIDGID.eu).
4. Varmista, että kaikki laitteet on asianmukaisesti tarkastettu.
5. Arvioi työskentelyalue ja määritä, tarvitaanko sulkaitoja ulkopuolisten pitämiseen poissa tieltä. Sivulliset voivat häiritä käyttäjää. Jos työskentelet liikenteen lähellä, varoita autoilijoita liikennekeiloilla tai muilla esteillä.
6. Aseta työalueelle suojakannet tarpeen mukaan. Viemäriinpuhdistuksesta voi kertyä likaa.
7. Vie painehuuhtelulaite esteetöntä reittiä pitkin hyvin ilmastoidulle, ulkona olevalle työalueelle. Jos konetta joudutaan nostamaan, käytä oikein nostotekniikoita. Kuljeta laitetta varovasti portaissa ja varo liukastumasta. Käytä sopivia jalkineita liukastumisten estämiseksi.

### Vedensyöttö

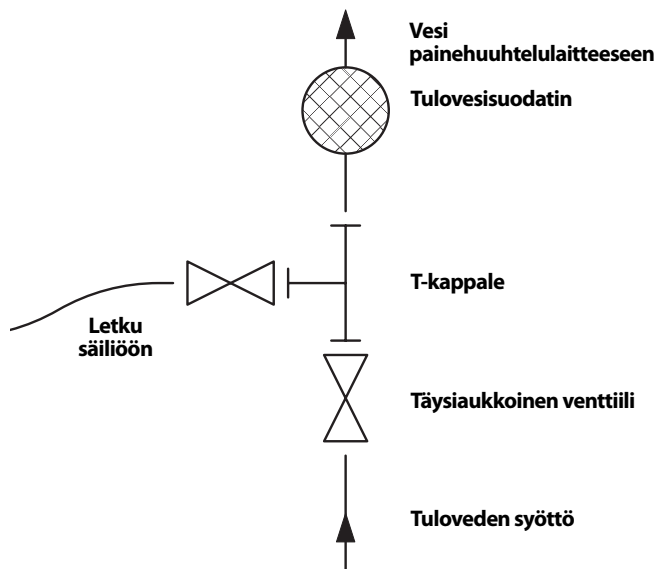
Varmista, että painehuuhtelulaitteelle on riittävä vesivirtaus. Vedä letku vesilähteestä painehuuhtelulaitteeseen. Käytä sisähalkaisijaltaan mahdollisimman isoa ja mahdollisimman lyhyttä letkua. Letkun pienin suositeltu sisähalkaisija on 3/4" / 19 mm. Kaikkien paikallisten lakien ja määräysten täyttämiseksi on käytettävä sopivaa takaisinvirtauksen estolaitetta. Kytke vedensyöttö päälle ja mittaa aika, joka kuluu viiden gallonan astian täyttämiseen. *Katso astian maksimitäyttöajat kullekin painehuuhtelulaitteella alla olevasta taulukosta.*

Painehuuhtelulaite	Virtaus GPM / litraa	Maks. 5 gallonaa / 18,9 litraa Astian täyttöaika
KJ-2200	2.4 / 9	125 sekuntia
KJ-3100	5.5 / 20	55 sekuntia

Riittämätön vesivirtaus estää painehuuhtelulaitetta saavuttamasta nimellispainetta ja seurauksena voi olla pumpun vahingoittuminen. Tarkasta, onko astiassa olevassa vedessä likaa ja roskia. Syöttöveden lika ja roskat voivat aiheuttaa pumpun voimakasta kulumista, tukkia suodatimet ja suuttimet ja alentaa laitteen tehoa. Älä käytä vettä lammikoista, järvistä tai muista lähteistä, joissa vesi voi olla likaista.

Jos vesivirtaus on riittämätön, mahdollisena ratkaisuna on käyttää liittimiä useampia syöttöletkujen yhdistämiseksi tai käyttää säiliötä.

Jos käytetään säiliötä, asenna T-kappale ja täysiaukkoinen venttiili painehuuhtelulaitteen tulovesiliitäntään kuvan 9 mukaisesti. Yhdistä 3/4" / 19 mm ja enintään 6' / 1,8 metrin letku T-kappaleen lähdössä olevaan venttiiliin, ja yhdistä vedensyöttö T-kappaleen käyttöön. Aseta letkun pää säiliöön tai yhdistä se säiliön lähtöliitäntään. Säiliöletku saa olla koko pituudeltaan enintään 5" / 12,7 cm painehuuhtelulaitteen tuloliitäntään yläpuolella. Muussa tapauksessa painehuuhtelulaite ei ime vettä säiliöstä.



**Kuva 9 – Vedensyöttöliitännät säiliötä käytettäessä**

Täytä säiliö ennen painehuuhtelulaitteen käynnistämistä. Sulje säiliöventtiili, kun käynnistät painehuuhtelulaitteen. Avaa venttiili heti, kun painehuuhtelulaite käynnistyy. Tarkkaile säiliön vesitasoa ja pysytä tarvittaessa veden suihkuttaminen säiliön täyttämiseksi. Älä anna vedentason laskea letkun pään alapuolelle.

Puhdistustehoa voidaan parantaa käyttämällä kuumaa vettä. Käytä korkeintaan 140°F / 60°C-asteista vettä – muussa tapauksessa pumpun lämpösuoja saattaa avautua. Käytä palovammavaaran vähentämiseksi sopivia henkilökohtaisia suojavarusteita kuumaa vettä käytettäessä.

Ryhdy kylmällä säällä tarvittaviin toimenpiteisiin estääksesi veden jäätyminen pumpussa. Tämä saattaa vahingoittaa pumpua.

Varmista, että painehuuhtelulaitteen syöttöventtiili on kiinni ja kiinnitä syöttöletku painehuuhtelulaitteeseen.

### Viemärin valmistelu

Jos työ tehdään viemäriaukon, myrskysäleikön tai muun ison aukon kautta, tee putkesta ja liittimistä ohjain painehuuhtelulaitteen letkulle viemäriaukosta käyttöpisteeseen. Tämä estää painehuuhtelulaitteen letkua heilumasta ympäriinsä sisäänmenokohdassa ja letkun vahingoittumisen.

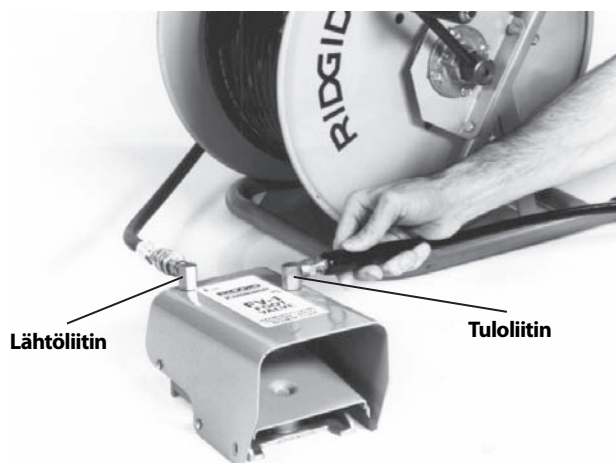


**Kuva 10 – Viemäriaukon jatkaminen käyttöpisteeseen**

### Letkun asentaminen

Ole huolellinen painehuuhtelulaitteen letkua reititettäessä. Letkujen vetäminen karheiden pintojen, terävien reunojen, risteävien letkujen jne. yli saattaa vahingoittaa letkun vaippaa erityisesti silloin, kun painehuuhtelulaitetta käytetään sykäyskäytöllä. Painehuuhtelulaitteen letkun pitäminen kelalla auttaa minimoimaan letkuvaurioita.

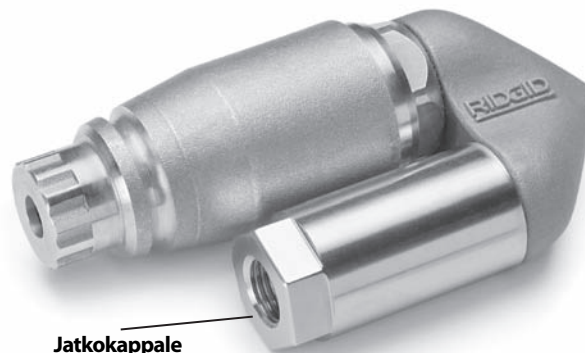
1. Valitse puhdistettavalle viemäriille sopiva letkukoko. Viemäreiden puhdistamiseen ei yleensä suositella kahden painehuuhtelulaitteen letkun liittämistä yhteen. Kahden letkun välinen liitos on joustava ja se voi estää virtauksen liittimien läpi ks. *Painehuuhtelulaitteen letkun valintataulukko*.
2. Irrota letkukela tarvittaessa moottori/pumppuasenuksesta. Aseta letkukela enintään 3' / 90 cm päähän viemäriaukosta. Älä päästä letkua liikaa viemäriin ulkopuolelle letkuvaurioiden välttämiseksi. Jos letkukelaa ei voida sijoittaa 3' / 90 cm sisälle viemäriaukosta, jatka viemäriaukkoa letkukelalle asti samankokoisella putkella ja liittimillä.
3. Vedä letku painehuuhtelulaitteesta jalkaventtiilin IN-liittimeen. Tiivistä liittäntä teflonteipillä. Aseta jalkaventtiili niin, että se on helposti käsillä. Sinun on pystyttävä hallitsemaan painehuuhtelulaitteen letkua ja jalkaventtiiliä.
4. Yhdistä letku kelasta jalkaventtiilin OUT-liittimeen.



**Kuva 11 – Jalkaventtiilin liittäminen**

5. Tee merkki lähelle painehuuhtelulaitteen letkun päätä, jolloin tiedetään, milloin suutin on lähellä viemäriaukkoa letkua takaisinvedettäessä. Tämä estää suutinta tulemasta ulos viemäristä ja heilumasta ympäriinsä. Etäisyys riippuu viemäriin rakenteesta, mutta sen pitäisi olla vähintään 4' / 1,2 m.
6. Irrota suutin painehuuhtelulaitteen letkun päästä ja aseta letkunpää viemäriin. Avaa syöttöventtiili ilman ja mahdollisten roskien tyhjentämiseksi painehuuhtelulaitteesta ja letkuista. Anna veden virrata vähintään 2 minuuttia.
7. Sulje tuloveden syöttöventtiili.
8. Valitse suutin. Käytä erityisesti käytettävälle painehuuhtelulaitteelle tarkoitettuja suuttimia. Väärien suuttimien käyttö saattaa heikentää suorituskykyä (alhainen käyttöpaine ja virtaus) tai liian korkeat paineet voivat vahingoittaa painehuuhtelulaitetta. Varmista, että suuttimen aukot ovat puhtaat ja auki. *Katso Painehuuhtelulaitteen suuttimen valintataulukko*.  
  
Jos käytetään RR3000-suutinta yli 6" / 152 mm:n ja enintään 9" / 229 mm:n viemäreille, on käytettävä jatkokappaletta. Jos viemäri on enintään 6" / 152 mm, ei jatkokappaletta tarvita. Kiristä tarvittaessa käsin jatkokappale tiukasti kiinni RR3000:een – älä kiristä liian tiukalle. Jos RR3000-suutinta käytetään yli 6" / 152 mm:n ja enintään 9" / 229 mm:n putkilinjassa ilman jatkokappaletta, tai yli 9" / 229 mm:n putkilinjassa, suutin voi muuttaa suuntaa viemäriin, tulla ulos käyttäjän päästä ja aiheuttaa vakavan henkilövahingon (kuva 12).
9. Kiristä suutin käsin tiukasti letkun päähän – älä kiristä liian tiukalle. Jos suutin kiristetään liian tiukalle, se voi vahingoittaa ja suorituskyky heikentyä.

10. Työnnä letku suutin kiinnitettynä viemäriin ja avaa tuloveden syöttöventtiili. Varmista, että vesi virtaa esteettä suuttimen läpi, ja sulje tuloveden syöttöventtiili.


**Jatkokappale**
**Kuva 12 – RR3000 Suutin ja jatkokappale**
**PAINEHUUHTELULAITTEEN LETKUN VALINTATAULUKKO**

Käyttötarkoitukset		Putkikoko tuumaa / mm	Suutinkoko tuumaa / mm	Letkukoko (SH) tuumaa / mm	Letkukoko (UH) tuumaa / mm
KJ-2200	Kylpyhuonealtaat, pisaarit ja pienet putkilinjat.	1 <sup>1</sup> / <sub>4</sub> - 2 / 32 - 50	1 <sup>1</sup> / <sub>8</sub> / 3,2 NPT	1 <sup>1</sup> / <sub>8</sub> / 3,2	3 <sup>3</sup> / <sub>16</sub> / 4,8
	Keittiöaltaat, pyykinpesualtaat ja poistoputket, puhdistusaukot ja tuuletusaukot.	2 - 3 / 50 - 76	1 <sup>1</sup> / <sub>8</sub> / 3,2 NPT	3 <sup>3</sup> / <sub>16</sub> / 4,8	1 <sup>1</sup> / <sub>4</sub> / 6,4
	Suihku- ja lattiakaivot, vaakasuorat putkilinjat ja rasvaloukut.	3 - 4 / 76 - 101	1 <sup>1</sup> / <sub>4</sub> / 6,4 NPT	1 <sup>1</sup> / <sub>4</sub> / 6,4	1 <sup>1</sup> / <sub>2</sub> / 13
	Vaakasuuntaiset putkilinjat ja pääjohdot.	4 - 6 / 101 - 152	1 <sup>1</sup> / <sub>4</sub> / 6,4 NPT	1 <sup>1</sup> / <sub>4</sub> / 6,4	1 <sup>1</sup> / <sub>2</sub> / 13
KJ-3100	Poistoputket, puhdistusaukot ja tuuletusaukot.	2 - 3 / 50 - 76	1 <sup>1</sup> / <sub>8</sub> / 3,2 NPT	3 <sup>3</sup> / <sub>16</sub> / 4,8	1 <sup>1</sup> / <sub>4</sub> / 6,4
	Lattiakaivot, vaakasuuntaiset putkilinjat ja rasvaloukut.	3 - 4 / 76 - 101	1 <sup>1</sup> / <sub>4</sub> / 6,4 NPT	3 <sup>3</sup> / <sub>8</sub> / 9,5	5 <sup>5</sup> / <sub>8</sub> / 16
	Vaakasuuntaiset putkilinjat ja pääjohdot.	4 - 10 / 101 - 250	1 <sup>1</sup> / <sub>4</sub> / 6,4 NPT	3 <sup>3</sup> / <sub>8</sub> / 9,5	5 <sup>5</sup> / <sub>8</sub> / 16

**PAINEHUUHTELULAITTEEN SUUTTIMEN VALINTATAULUKKO.**

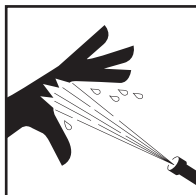
KJ-2200	<b>Kierrekoko, tuumaa / mm</b>	1 <sup>1</sup> / <sub>8</sub> / 3,2 NPT	1 <sup>1</sup> / <sub>4</sub> / 6,4 NPT
	<b>Letkukoko (sisähalkaisija), tuumaa / mm</b>	1 <sup>1</sup> / <sub>8</sub> & 3 <sup>3</sup> / <sub>16</sub> / 3,2 & 4,8	1 <sup>1</sup> / <sub>4</sub> / 6,4
	<b>Letkukoko (ulkohalkaisija), tuumaa / mm</b>	3 <sup>3</sup> / <sub>16</sub> & 1 <sup>1</sup> / <sub>4</sub> / 4,8 & 6,4	1 <sup>1</sup> / <sub>2</sub> / 13
	Kolme taaksepäin suunnattua reikää, joiden avulla saadaan maksimaalinen työntövoima pitkällekin putkilinjalle. Käytä tätä suutinta useimmissa käyttökohteissa.	<b>H-61</b>	<b>H-71</b>
	Kolme reikää taaksepäin ja yksi eteenpäin kiinteiden rasva- ja lietetukosten avaamiseksi. Eteenpäin suunnattu suihku puhkaisee suuttimelle pienen reiän tukokseen. Se on myös erittäin tehokas jäätulppien avaamiseen.	<b>H-62</b>	<b>H-72</b>
	Käytä kääntyväkärkistä suutinta vaikeiden mutkien avaamiseen. Tässä suuttimessa on kolme reikää taaksepäin.	<b>H-64</b>	
	Käytä pyörivää suutinta rasva- ja vastaavien tukosten puhdistamiseen viemäristä.	<b>H-65</b>	<b>H-75</b>



	Kierrekoko, tuumaa / mm	1/8 / 3,2 NPT	1/4 / 6,4 NPT
	Letkukoko (sisähalkaisija), tuumaa / mm	3/16 / 4,8	3/8 / 9,5
	Letkukoko (ulkohalkaisija), tuumaa / mm	1/4 / 6,4	5/8 / 16
KJ-3100	Neljä (4) taaksepäin suunnattua reikää, joiden avulla saadaan maksimaalinen työntövoima pitkällekin putkilinjalle. Käytä tätä suutinta useimmissa käyttökohteissa.	H-101	H-111
	Kolme reikää taaksepäin ja yksi eteenpäin kiinteiden rasva- ja lietetukosten avaamiseksi. Eteenpäin suunnattu suihku puhkaisee suuttimelle pienen reiän tukokseen. Se on myös erittäin tehokas jäätulppien avaamiseen.	H-102	H-112
	Käytä kääntyväkärkistä suutinta vaikeiden mutkien avaamiseen. Tässä suuttimessa on neljä (4) reikää taaksepäin.	H-104	
	Käytä pyörivää suutinta rasva- ja vastaavien tukosten puhdistamiseen viemäristä.	H-105	H-115
	Käytä juurten ja muuntuyppisten tukosten avaamiseen. HUOMAA! Käytä jatkokappaletta RR3000:n vakauttamiseen halkaisijaltaan 8" / 200 mm viemäreiden puhdistuksessa.		RR3000

## Käyttöohjeet

### VAROITUS



Käytä aina silmiensuojaimia silmien suojaamiseksi lialta ja vierailta esineiltä. Käytä aina työympäristölle oikeita henkilökohtaisia suojavarusteita.

Älä koskaan käytä painehuuhtelulaitetta, kun sen letkun pää on ulkona viemäristä. Letku voi heilahdattaa ja aiheuttaa iskuvammoja tai suihku voi lävistää ihon ja aiheuttaa henkilövahingon.

Korkeapaineinen vesi voi läpäistä ihon ja aiheuttaa vakavan henkilövahingon, jopa amputaation. Älä suuntaa suihkua ihmisiin tai eläimiin.

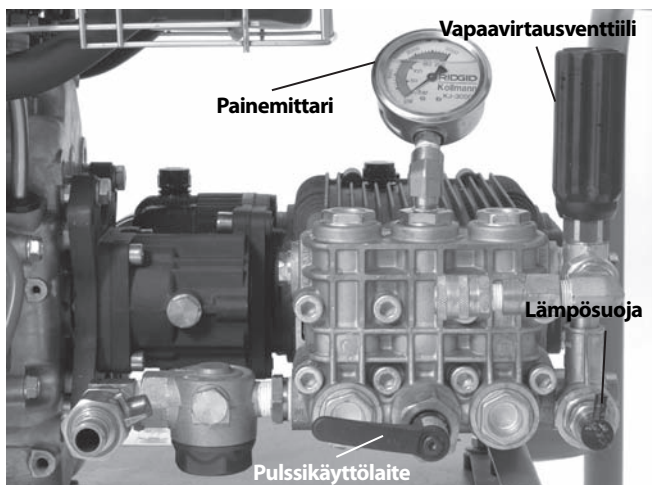
Älä käytä painehuuhtelulaitetta ilmoitettua suurimmalla paineella tai jos tuloveden lämpötila on yli 140°F / 60°C. Tämä lisää henkilövahinkojen ja palovammojen vaaraa ja saattaa vaurioittaa painehuuhtelulaitetta.

Samana henkilön on ohjattava sekä suihkutussuuntaa että jalkaventtiiliä. Käytä aina jalkaventtiiliä. Jos painehuuhtelulaitteen letku tulee ulos viemäristä, käyttäjän on pystyttävä katkaisemaan vedensyöttö letkun heilahdusvaaran estämiseksi, joka voi aiheuttaa iskuvammoja ja korkeapaineisen veden aiheuttamia ihonläpäisyvammoja.

Käytä aina asianmukaisia turvavarusteita käsitellessäsi ja käyttäessäsi viemärinavauslaitteita. Viemäreissä voi olla kemikaaleja, bakteereja ja muita aineita, jotka voivat olla myrkyllisiä tai aiheuttaa infektioita, palovammoja tai muita ongelmia. Asianmukaisiin henkilökohtaisiin suojavarusteisiin sisältyvät aina suojalasit ja käsineet, sekä mahdollisesti lateksi- tai kumikäsineet, kasvonsuojaimet, suojalasit, suojavaatteet, hengityksensuojaimet ja turvajalkineet.

Pienennä heittelehtivistä letkuista, korkeapaineisen nesteen lävistämisestä, hiilimonoksidista ja muista syistä johtuvaa tapaturmavaaraa noudattamalla käyttöohjeita.

1. Varmista, että laite ja työalue on valmisteltu oikein eikä alueella ole sivullisia tai muita häiriötekijöitä. Jos painehuuhtelulaite on kaukana käyttöpisteestä, toisen henkilön on oltava painehuuhtelulaitteen luona.
2. Työnnä letkua suutin kiinnitettynä viemäriin vähintään kolme metriä niin, että letkun pää ei pääse ulos viemäristä ja heilumaan ympäriinsä, kun kone käynnistetään.
3. Varmista, että sykäskäyttölaitteen vipu on käännetty vastapäivään "Paine"-asentoon (kuva 16).
4. Avaa tuloveden syöttöventtiili. Älä koskaan käynnistä konetta, ellei vedensyöttöä ole kytketty päälle. Tämä saattaa vahingoittaa pumppua.
5. Alenna painetta painamalla jalkaventtiiliä ja anna moottorin käynnistyä. Varmista, että vesi virtaa esteettä suuttimen läpi. Noudata moottorin käyttöohjeessa annettuja käynnistysohjeita ja käynnistä moottori. Anna moottorin lämmetä.


**Kuva 13 - Säätimet**

6. Käännä vapaavirtausventtiiliä ja säädä painemittaria tarkkailemalla halutuksi (myötäpäivään kääntäminen lisää ja vastapäivään kääntäminen alentaa painetta). Älä ylitä koneelle ilmoitettua nimellispainetta. Älä käännä vapaavirtausventtiiliä väkisin äläkä käytä avaimia tai työkaluja sen kääntämiseen. Tämä vahingoittaa vapaavirtausventtiiliä.

Painehuhtelulaite	Paine, PSI / bar
KJ-2200	2200 / 150
KJ-3100	3000 / 205

Jos painehuhtelulaite ei muodosta nimellispainetta tai se on väärä:

- Varmista, että moottorin kaasu on säädetty oikein.
- Varmista, että tuloveden syöttöventtiili ja syöttöjärjestelmän muut venttiilit ovat täysin auki.
- Nosta painetta kääntämällä vapaavirtausventtiiliä myötäpäivään. Älä pakota.
- Varmista, että sykäyskäyttölaite on "Paine"-asennossa.
- Käytä sykäyskäyttölaitetta "Paine"- ja "Sykäys"-asentojen välillä useita kertoja yksikön ollessa käynnissä järjestelmään mahdollisesti jääneen ilman poistamiseksi.
- Tarkasta järjestelmä vuotojen varalta. Ole varovainen tarkastuksen aikana henkilövahinkojen välttämiseksi. Jos vuotoja löytyy, sammuta painehuhtelulaite ennen korjaamista.
- Sammuta painehuhtelulaite. Tarkasta tulosuodatin/suodattimen pesin ja varmista, ettei niissä ole roskia.
- Varmista, että vesivirtaus painehuhtelulaitteeseen on riittävä.

- Kytke painehuhtelulaite ja tuloveden syöttöventtiili päälle. Irrota suutin ja puhdistusaukot suuttimen puhdistustyökalulla.
- Käytä painehuhtelulaitetta ilman letkussa olevaa suutinta ilman tai roskien poistamiseksi järjestelmästä. Sammuta painehuhtelulaite ennen suuttimen irrotusta tai kiinnitystä.

#### 7. Asetu oikeaan työskentelyasentoon.

- Varmista, että pystyt ohjaamaan ON/OFF-toimintoa jalkaventtiilillä. Älä vielä paina jalkaventtiiliä.
- Varmista, että tasapainosi on hyvä eikä sinun tarvitse kurotella.
- Sinun on pystyttävä pitämään toista kättä painehuhtelulaitteen letkulla koko ajan letkun ohjauksiksi ja tukemiseksi.
- Sinun on yllättävä kelaan letkun kelaamiseksi.

Tämä työskentelyasento auttaa hallitsemaan painehuhtelulaitteen letkua.



**Kuva 14 – Oikea työskentelyasento**

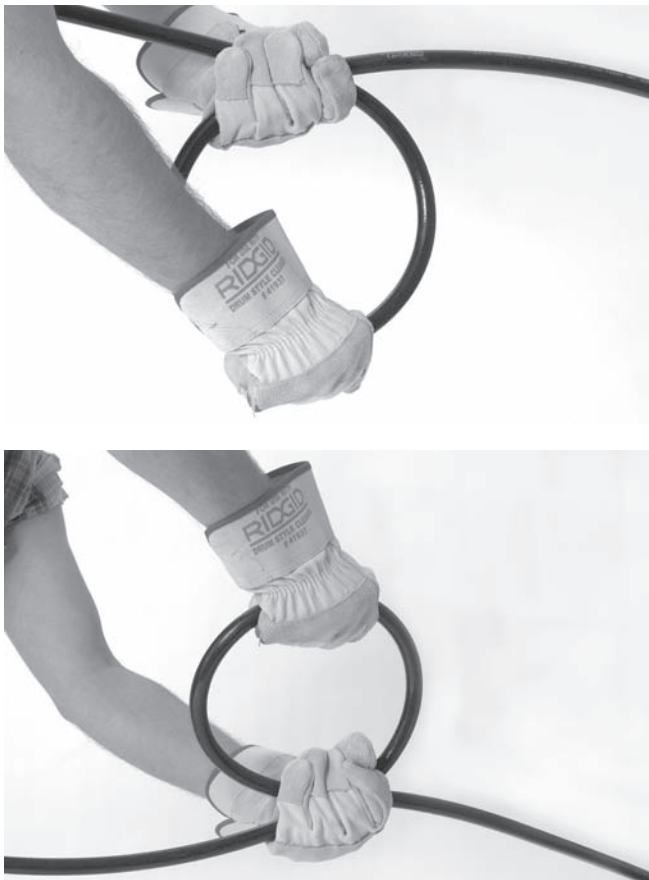
### Viemäriin painehuhtelu

Viemäriä painehuhteltaessa letkua syötetään viemäriin yleensä koko puhdistettava matka, minkä jälkeen se vedetään hitaasti takaisin. Näin korkeapaineinen vesi pystytään suuntaamaan viemäriin seiniin kerrostumien poistamiseksi.

Vapauta letkukelan lukitustappi. Paina jalkaventtiiliä, kun vähintään kolme metriä letkua on viemäriin ja toinen käsi on letkulla sen liikkumisen ohjaamiseksi. Suuttimen taaksepäin suunnatut reiät auttavat vetämään letkua viemäriin. Syötä letkua niin pitkälle kuin puhdistus vaatii. Jos letku pysähtyy, se on törmännyt jonkintyyppiseen esteeseen.

Jos suutin ei pääse esteen läpi, esim. suunnan vaihtuessa (loukku, mutka yms.) tai esteen vuoksi.

- Tee nopeita työntöjä letkulla.
- Käännä letkua neljänneskierrroksesta puoleen kierrokseen letkun asettamiseksi suunnanvaihtoa varten (jos letkua käännetään, käännä se takaisin esteen ohittamisen jälkeen, ettei letku mene sykkyrälle) ks. kuva 15.
- Käytä sykäystoimintoa.  (ks. seuraava kappale)
- Käytä hajulukkoletkua tai ohuempaa letkua.



**Kuva 15 – Letkun kääntäminen**

Kun este on ohitettu, puhdista kyseinen viemärin osa ennen eteenpäin jatkamista. Siirry useita metrejä estekohdan ohi ja vedä suutin hitaasti takaisin estekohdan läpi. Tee tämä useita kertoja ja siirry sitten eteenpäin viemärissä.

Tarkkaile vedentaso. Jos vedentaso nousee liian korkealle, painehuuhtelulaite voidaan joutua sammuttamaan ja vesi tyhjentämään ennen jatkamista. Suihkuttaminen putkilinjan ollessa täynnä vettä ei ole niin tehokasta kuin putken ollessa tyhjä. Älä anna paine-

huuhtelulaitteen olla käynnissä pitkiä aikoja, jos jalkaventtiili on OFF-asennossa. Kun jalkaventtiili on OFF-asennossa, vesi kiertää pumpussa ja lämpenee. Tämä voi saada pumpun lämpösuojan aukeamaan.

Kun suutin on halutun matkan päässä viemärissä, vedä se hitaasti (1 ft / 30 cm minuutissa erittäin likaisessa viemärissä) ulos viemäristä. Ohjaa toisella kädellä letkua ja kelaat sitä toisella kädellä kelalle. Ole tarkkana suuttimen lähestyessä viemäriaukkoa, ettei se tulo ulos viemäristä veden virratessa. Tämä voi saada letkun heittelemään, josta voi seurata iskuvammoja ja korkeapaineisen neste aiheuttamia vammoja. Ohjaa aina letkua. Etsi letkussa lähellä suutinta olevaa merkkiä. Vapauta jalkaventtiili vesivirtauksen katkaisemiseksi.

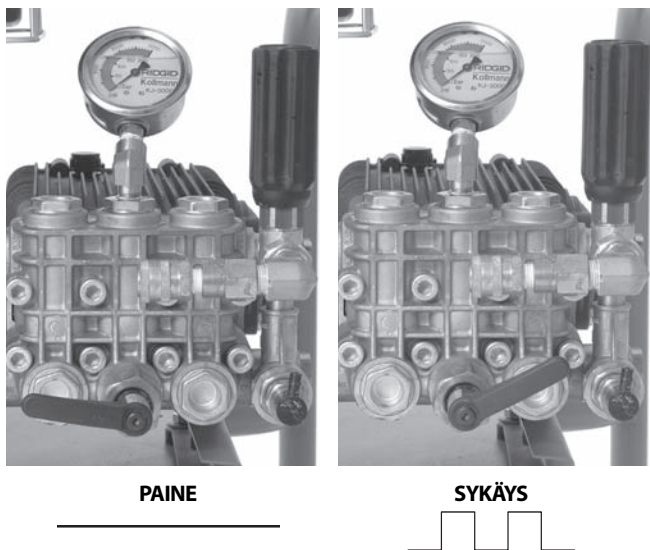
Pysäytä moottori moottorin käyttöohjeessa annettujen ohjeiden mukaisesti, ja vapauta järjestelmäpainemittaria jalkaventtiiliä. Älä koskaan jätä järjestelmää paineistetuksi. Vaihda suutinta tarpeen mukaan ja jatka viemärin puhdistusta yllä kuvatun prosessin mukaisesti. Täydelliseen puhdistukseen suositellaan useita puhdistuskertoja.

Lopuksi, kun painehuuhtelulaite on sammutettu, irrota suutin ja huuhtele pumpu ja letku avaamalla tuloveden syöttöventtiili. Jos painehuuhtelulaitetta käytetään kylmällä säällä, tyhjennä vesi heti järjestelmästä jäätymisvaurioiden estämiseksi. Katso tietoja jäätymissuojauksesta kohdasta *Koneen varastointi*.

### **Sykäystoiminnon käyttäminen**

Kun letkun ohjailu ei riitä mutkan tai esteen ohittamiseen, on käytettävä sykäystoimintoa. Sykäystoiminto vaihtelee vedenpainetta niin, että letku alkaa täristä helpottaen sen etenemistä.

1. Käännä sykäyskäyttölaitteen vipu myötäpäivään "Sykäys"-asentoon. Sykäystilassa painemittari näyttää täyttä painetta alemmaa painetta. Tämä on normaalia.


**Kuva 16 – Sykäyskäyttölaitteen vivun asento**

2. Työntelet letkua tarvittaessa nopeassa tahdissa ja käännä sitä helpottaaksesi suuttimen pääsyä esteen läpi.
3. Kun este on ohitettu, käännä sykäyskäyttölaitteen vipu vastapäivään "Paine"-asentoon. Pidä painehuuhtelulaitetta sykäystilassa vain sen aikaa, joka tarvitaan esteen läpäisemiseen. Liiallinen sykäystoiminnon käyttö voi aiheuttaa letkujen ja järjestelmän ennenaikaista kulumista.

### Painehuuhtelulaitteen käyttö painepesurina

RIDGID-painehuuhtelulaitteita voidaan käyttää myös painepesureina lisäämällä niihin painepesupaketti. Painepesurina käyttö on vastaavaa kuin painehuuhtelulaitteena käyttö, ja niitä ohjeita on käytettävä seuraavien kanssa.

1. Etsi sopiva käyttöalue.
2. Varmista, että kaikki laitteet on asianmukaisesti tarkastettu.
3. Kiinnitä pesuvarsi pesuvarsiletkuun. Käytä aina letkua, jonka nimellispaine on vähintään sama kuin painehuuhtelulaitteen nimellispaine. Käytä kierretivistysainetta vuotojen estämiseksi.
4. Kiinnitä letku painehuuhtelulaitteen lähtöliitäntään. Varmista, että letkun päät on liitetty kunnolla, etteivät ne pääse irtoamaan paineenalaisina.
5. Yhdistä vedensyöttö aiemmin kuvatulla tavalla painehuuhtelulaitteeseen.
6. Avaa tuloveden syöttöventtiili ja paina pesuvarren liipaisinta niin, että vesi pääsee virtaamaan ja mahdollinen ilma tyhjenee järjestelmästä. Älä koskaan käynnistä konetta, ellei vedensyöttöä ole kytketty päälle. Tämä saattaa vahingoittaa pumpua.

7. Varmista, että pulssikäyttölaitteen vipu on käännetty vastapäivään "Paine"-asentoon.
8. Pesuvarren suuttimen säädöt – Pesukuviota voidaan säätää suutinta kääntämällä hienosta laajaksi suihkuksi. Paineita voidaan säätää vetämällä suutinta eteenpäin (alhainen paine) ja taaksepäin (korkea paine). Varmista, että suutin on vedetty taakse korkean paineen asentoon käytön aloittamiseksi.


**Kuva 17 – Pesuvarren suuttimen säädöt**

9. Pesuvarren lukitus – pesuvarressa on lukitus liipaisimen takana. Käännä lukitus alas liipaisimen käytön estämiseksi, kun pesuvarsta ei käytetä.
10. Pidä pesuvarsta turvalliseen suuntaan ja paina pesuvarren liipaisinta paineen alentamiseksi ja moottorin käynnistämiseksi. Noudata moottorin käyttöohjeessa annettuja käynnistysohjeita ja käynnistä moottori. Anna moottorin lämmetä. Paina liipaisinta heti, kun moottori käynnistyy.
11. Pidä pesuvarsta turvalliseen suuntaan ja paina pesuvarren liipaisinta. Käännä vapaavirtausventtiiliä ja säädä paine halutuksi painemittaria tarkkailemalla. Älä ylitä koneelle ilmoitettua nimellispainetta. Vapauta pesuvarren liipaisin.

### Painepesurin käyttö

1. Käytä painepesurina käytettäessä molempia käsiä pesuvarren kiinnittämiseen ja suuntaamiseen, jolloin sitä on parempi hallita. Älä koskaan suuntaa pesuvarsta ihmisiin. Korkeapaineinen vesi voi läpäistä ihon ja aiheuttaa vakavan henkilövahingon. Älä koskaan suuntaa pesuvarsta sähkölaitteisiin tai sähköjohtoihin sähköiskuvaaran välttämiseksi.
2. Säädä vesivirtausta liipaisimella. Ole varovainen painepesuria käytettäessä. Suuttimen pitäminen liian lähellä pintaa voi vahingoittaa sitä. Kokeile pienellä, huomaamattomalla alueella, että asetukset toimivat halutulla tavalla.
3. Älä anna painehuuhtelulaitteen olla käynnissä pitkiä aikoja, jos liipaisin on OFF-asennossa. Kun liipaisin on OFF-asennossa, vesi kiertää pumpussa ja lämpenee. Tämä voi saada pumpun lämpösuojaan aukeamaan.
4. Kun painepesu on suoritettu, vapauta liipaisin ja pysäytä moottori moottorin käyttöohjeen mukaisesti.



Paina liipaisinta järjestelmän paineen vapauttamiseksi. Älä koskaan jätä järjestelmää paineistetuksi.

### Pesuainesuutin

1. Kiinnitä tarvittaessa pesuainesuutin lähtöaukkoon. Irrota lähtöletku ja kiinnitä pesuainesuutin niin, että nuoli osoittaa veden virtaussuuntaan. Käytä kierrettiivistysainetta vuotojen estämiseksi. Kiinnitä lähtöletku takaisin paikalleen.
2. Kiinnitä lappoletku pesuainesuuttimeen. Aseta letkun siiviläpää pesuainesäiliöön. Käytä ainoastaan painepesureille tarkoitettuja pesuaineita. Noudata kaikkia pesuainehjeita. Älä suihkuta syttyviä nesteitä tai myrkyllisiä kemikaaleja. Muut pesuaineet, liuotteet, puhdistusaineet jne. voivat vahingoittaa painehuuhtelulaitetta tai aiheuttaa vakavan henkilövahingon.
3. Painepesun aikana pesuainetta annostellaan vain silloin, kun pesuvarren suutin on alhaisen paineen asennossa. Vedä suutin eteenpäin alhaisen paineen asentoon pesuaineen annostelemiseksi.
4. Käytön aikana pesuaineen annostelunopeutta voidaan säätää kääntämällä pesuainesuuttimen holkkia. Vastapäivään kääntäminen lisää ja myötäpäivään kääntäminen vähentää pesuaineen määrää.
5. Kun pesuaine on annosteltu, poista siivilä pesuainesta, aseta puhtaalla vedellä täytettyyn astiaan ja huuhtele mahdollinen pesuaine järjestelmästä.

## Huolto-ohjeet

### ▲ VAROITUS

**Ennen huoltotöiden suorittamista moottorikatkaisin on käännettävä OFF-asentoon ja sytytystulpan johdot on irrotettava tahattoman käynnistymisen estämiseksi. Vapauta järjestelmän mahdollinen nestepaine painamalla jalkaventtiiliä tai pesuvarren liipaisinta.**

**Suojaudu viemärikemikaaleilta ja bakteereilta käyttämällä huoltotöiden aikana aina suojalaseja ja käsineitä.**

### Puhdistus

Letku on puhdistettava tarpeen mukaan kuumalla saippuavedellä ja/tai desinfiointiaineella. Älä päästä vettä moottoriin tai sähköjärjestelmään. Älä puhdista painepesurilla. Pyyhi laite puhtaaksi kostealla liinalla.

### Moottori

Huolla moottori laitteen mukana toimitetun moottorin käyttöohjeen mukaisesti.

### Pumpun voitelu

Tarkasta pumpun öljytaso ennen käyttöä. Aseta painehuuhtelulaite tasaiselle alustalle. Puhdista lika ja roskat mittapuikon ympäriltä ja irrota mittapuikko – tarkasta öljytaso. Lisää tarvittaessa SAE 30W -öljyä. Älä täytä liian täyteen. Asenna mittapuikko takaisin.

Vaihda pumpun öljy ensimmäisen 50 käyttötunnin jälkeen ja sen jälkeen 500 käyttötunnin välein. Kun pumpu on käyttölämpötilassaan, avaa pumpun pohjassa oleva tulppa ja valuta öljy sopivaan astiaan. Asenna tulppa takaisin. Täytä noin 32 oz / 0,9 kg SAE 30W -öljyä tarkastusmenetelmän mukaisesti.

### Vaihteiston voitelu

Tarkasta vaihteiston öljytaso ennen käyttöä. Aseta painehuuhtelulaite tasaiselle alustalle. Puhdista lika ja roskat mittapuikon ympäriltä ja irrota mittapuikko – tarkasta öljytaso. Lisää tarvittaessa SAE 90W -öljyä. Älä täytä liian täyteen. Asenna mittapuikko takaisin.

Vaihda vaihteistoöljy 500 käyttötunnin välein. Kun vaihteisto on käyttölämpötilassaan, avaa vaihteiston pohjassa oleva tulppa ja valuta öljy sopivaan astiaan. Asenna tulppa takaisin. Täytä noin 8 oz / 0,2 kg SAE 90W -vaihteistovoiteluöljyä tarkastusmenetelmän mukaisesti.

### Pumpun valmistelu kylmän sään säilytykseen

**HUOMAUTUS** Jos painehuuhtelulaite varastoidaan olosuhteissa, joissa lämpötila on lähellä 32°F / 0°C tai sen alle, painehuuhtelulaite on valmistettava oikein säilytystä varten. Pumppuun jäänyt vesi voi vahingoittaa pumppua.

Painehuuhtelulaite voidaan valmistella kylmän sään säilytykseen kahdella eri tavalla. Ensimmäinen on avata järjestelmän kaikki venttiilit ja pakottaa mahdollinen vesi ulos järjestelmästä paineilmalla. Tätä voidaan käyttää myös veden poistamiseen letkuista.

Toisessa tavassa käytetään pakkasnestettä (eteenitöntä glykolipakkasnestettä). Älä käytä painehuuhtelulaitteen pumpussa eteeniglykolipakkasnestettä. Eteeniglykolia ei voi käyttää viemärijärjestelmissä.

1. Kiinnitä 3' / 90 cm osa letkua tuloveden syöttöventtiiliin ja avaa venttiili.
2. Aseta letkun pää pakkasnesteastiaan.
3. Irrota suutin letkun päästä.
4. Käynnistä painehuuhtelulaite ja käytä sitä, kunnes letkun päästä tulee pakkasnestettä.

## Lisävarusteet

### ▲ VAROITUS

Pienennä vakavan loukkaantumisen vaaraa käyttämällä ainoastaan lisävarusteita, jotka on suunniteltu ja joita nimen omaan suositellaan käytettäväksi RIDGID-painehuuhtelulaitteiden kanssa. Näitä ovat esimerkiksi seuraavat. Muiden työkalujen kanssa käytettäväksi tarkoitetut lisävarusteet voivat olla vaarallisia RIDGID-painehuuhtelulaitteiden kanssa käytettäessä.

## KJ-2200 Suuttimet ja letkut

Kuvasto nro	Malli nro	Kuvaus	Letkun sisähalk. tuumaa / mm	Letkun ulkohalk. tuumaa / mm
64772	H-61	Umpinainen suutin $\frac{1}{8}$ " / 3,2 mm NPT		
64777	H-62	Avonainen suutin Sopii $\frac{1}{4}$ " / 6,4 mm letkuun		
64782	H-64	Suutin kääntyvällä kärjellä		
82842	H-65	Pyörivä suutin 2200		
64787	H-71	Umpinainen suutin $\frac{1}{4}$ " / 6,4 mm NPT		
64792	H-72	Avonainen suutin Sopii $\frac{1}{2}$ " / 13 mm letkuun		
82852	H-75	Pyörivä suutin 2200		
47592	H-1425	$\frac{1}{4}$ " x 25' / 6,4 mm x 7,6 m	$\frac{3}{16}$ / 4,8	$\frac{1}{4}$ / 6,4
47597	H-1435	$\frac{1}{4}$ " x 35' / 6,4 mm x 10,7 m	$\frac{3}{16}$ / 4,8	$\frac{1}{4}$ / 6,4
47602	H-1450	$\frac{1}{4}$ " x 50' / 6,4 mm x 15,2 m $\frac{1}{4}$ " / 6,4 mm letku	$\frac{3}{16}$ / 4,8	$\frac{1}{4}$ / 6,4
49272	H-1475	$\frac{1}{4}$ " x 75' / 6,4 mm x 22,9 m Oranssi	$\frac{3}{16}$ / 4,8	$\frac{1}{4}$ / 6,4
49277	H-1400	$\frac{1}{4}$ " x 100' / 6,4 mm x 30,5 m	$\frac{3}{16}$ / 4,8	$\frac{1}{4}$ / 6,4
64732	H-1415	$\frac{1}{4}$ " x 150' / 6,4 mm x 45,7 m	$\frac{3}{16}$ / 4,8	$\frac{1}{4}$ / 6,4
50002	HL-1	Letkun syöksytörvi, $\frac{1}{4}$ " / 6,4 mm	$\frac{1}{8}$ / 3,2	$\frac{3}{16}$ / 4,8
50007	HL-2	Letkun syöksytörvi, $\frac{1}{2}$ " / 13 mm	$\frac{1}{8}$ / 3,2	$\frac{3}{16}$ / 4,8
47607	H-1250	$\frac{1}{2}$ " x 50' / 13 mm x 15,2 m	$\frac{1}{4}$ / 6,4	$\frac{1}{2}$ / 13
47612	H-1275	$\frac{1}{2}$ " x 75' / 13 mm x 22,9 m	$\frac{1}{4}$ / 6,4	$\frac{1}{2}$ / 13
47617	H-1200	$\frac{1}{2}$ " x 100' / 13 mm x 30,5 m	$\frac{1}{4}$ / 6,4	$\frac{1}{2}$ / 13
51587	H-1211	$\frac{1}{2}$ " x 110' / 13 mm x 33,5 m $\frac{1}{2}$ " / 13 mm painepesuletku	$\frac{1}{4}$ / 6,4	$\frac{1}{2}$ / 13
49487	H-1215	$\frac{1}{2}$ " x 150' / 13 mm x 45,7 m Musta	$\frac{1}{4}$ / 6,4	$\frac{1}{2}$ / 13
51597	H-1220	$\frac{1}{2}$ " x 200' / 13 mm x 61 m	$\frac{1}{4}$ / 6,4	$\frac{1}{2}$ / 13

## KJ-2200 Painehuuhtelulaitteen lisävarusteet

Luettelo nro	Malli nro	Kuvaus
62882	H-5	Mini-letkukela (ei sis. letkua)
64737	H-30	H-30 Kärryt ja letkukela
62877	H-30 WH	H-30 Kärryt ja letkukela ja 110' / 33,5 m x $\frac{1}{2}$ " / 13 mm painepesuletku
64077	HP-22	Painepesupaketti, KJ-2200
64767	HW-22	Pesuvarsi, KJ-2200
51572	H-1235	Pesuvarren letku $\frac{1}{2}$ " / 13 mm x 35' / 10,7 m
48157	FV-1	Jalkakytkin
66732	HF-4	Pikaliitäntäletku
48367	H-25	Talvisarja
47542	H-21	Suuttimen puhdistustyökalu
67187	H-32	Pesuri

**KJ-3100 Suuttimet ja letkut**

Kuvasto nro	Malli nro	Kuvaus	Letkun sisähalk. tuumaa / mm	Letkun ulkohalk. tuumaa / mm
38698	H-101	Umpinainen suutin	1/8" / 3,2 mm NPT	
38713	H-102	Avonainen suutin	1/4" / 6,4 mm letkuun	
38703	H-104	Suutin kääntyvällä kärjellä		
38723	H-105	1/8" / 3,2 mm NPT Pyörivä suutin		
38693	H-111	Umpinainen suutin	1/4" / 6,4 mm NPT	
38708	H-112	Avonainen suutin	3/8" / 9,5 mm letkuun	
38718	H-1155	1/4" / 6,4 mm NPT Pyörivä suutin		
16713	RR3000	Juurileikkuri		
47592	H-1425	1/4" / 6,4 mm x 25' / 7,6 m letku	3/16 / 4,8	1/4 / 6,4
47597	H-1435	1/4" / 6,4 mm x 35' / 10,7 m letku	3/16 / 4,8	1/4 / 6,4
47602	H-1450	1/4" / 6,4 mm x 50' / 15,2 m letku Oranssi	3/16 / 4,8	1/4 / 6,4
49272	H-1475	1/4" / 6,4 mm x 75' / 22,9 m letku	3/16 / 4,8	1/4 / 6,4
49277	H-1400	1/4" / 6,4 mm x 100' / 30,5 m letku	3/16 / 4,8	1/4 / 6,4
64732	H-1415	1/4" / 6,4 mm x 150' / 45,7 m letku	3/16 / 4,8	1/4 / 6,4
64827	H-3835	3/8" / 9,5 mm SH x 35' / 10,7 m pesuletku	3/8 / 9,5	5/8" / 16
64832	H-3850	3/8" / 9,5 mm SH x 50' / 15,2 m painepesuletku	3/8 / 9,5	5/8" / 16
64837	H-3810	3/8" / 9,5 mm SH x 100' / 30,5 m painepesuletku	3/8 / 9,5	5/8" / 16
64842	H-3815	3/8" / 9,5 mm SH x 150' / 45,7 m painepesuletku Musta	3/8 / 9,5	5/8" / 16
64847	H-3820	3/8" / 9,5 mm SH x 200' / 61 m painepesuletku	3/8 / 9,5	5/8" / 16
64852	H-3825	3/8" / 9,5 mm SH x 250' / 76,2 m painepesuletku	3/8 / 9,5	5/8" / 16
64857	H-3830	3/8" / 9,5 mm SH x 300' / 91,4 m painepesuletku	3/8 / 9,5	5/8" / 16

**KJ-3100 Painehuuhtelulaitteen lisävarusteet**

Luettelo nro	Malli nro	Kuvaus
62882	H-5	Mini-letkukela
64862	H-38	Letkukela (sopii KJ-3100)
64902	H-38 WH	Letkukela 200' / 61 m x 3/8" / 9,5 mm SH letku (sopii KJ-3100)
64797	HW-30	Pesuvarsi, KJ-3100
48367	H-25	Talvisarja
48157	FV-1	Jalkakytin
66732	HF-4	Letkun pikaliitin (kela jalkaventtiilille)
47542	H-21	Suuttimen puhdistustyökalu
67187	H-32	Pesuri

**Laitteen varastointi**

**VAROITUS** Säilytä painehuuhtelulaitetta hyvin ilmastoidussa paikassa suojassa sateelta ja lumelta. Laite on säilytettävä lukitussa paikassa lasten ja painehuuhtelulaitteisiin tottumattomien henkilöiden ulottumattomissa. Laite voi aiheuttaa vakavia henkilövahinkoja kouluttamattomien käyttäjien käsissä. Katso tarkemmat tiedot kylmässä säilytyksestä *Huolto-osiosta*. Katso moottorin säilytystä koskevat tiedot moottorin käyttöohjeesta.

**Huolto ja korjaus****VAROITUS**

**Epätäydellisen huollon tai korjauksen jälkeen laitteen käyttö ei välttämättä ole enää turvallista.**

Huolto-ohjeet kattavat useimmat tämän laitteen huoltotarpeista. Jos laitteessa esiintyy ongelma, jota ei mainita tässä kohdassa, vain valtuutettu RIDGID-huolto-tekniikko voi korjata sen.

Työkalu tulee viedä RIDGIDin valtuutettuun huoltoliikkeeseen tai palauttaa tehtaalle.

Lisätietoja lähimmistä itsenäisistä valtuutetuista RIDGID-huoltoliikkeistä tai huollosta ja huoltoon liittyvistä kysymyksistä:

- Ota yhteys paikalliseen RIDGID-jälleenmyyjään.
- Lähimmän RIDGID-edustajan löydät osoitteesta [www.RIDGID.com](http://www.RIDGID.com) tai [www.RIDGID.eu](http://www.RIDGID.eu).
- RIDGIDin tekniseen palveluosastoon saa yhteyden lähettämällä sähköpostia osoitteeseen [rtctechservices@emerson.com](mailto:rtctechservices@emerson.com) tai soittamalla Yhdysvalloissa ja Kanadassa numeroon (800) 519-3456.

**Hävittäminen**

Painehuuhtelulaitteen osat sisältävät arvokkaita materiaaleja, ja ne voidaan kierrättää. Tällaisesta kierrätyksestä huolehtivat paikalliset erikoisyrietykset. Komponentit on hävitettävä kaikkien soveltuvien määräysten mukaisesti. Pyydä lisätietoja paikallisilta jätehuoltoviranomaisilta.



**EY-maat:** Älä hävitä sähkölaitteita kotitalousjätteen mukana!

EU:n sähkö- ja elektroniikkalaiteromudirektiivin 2002/96/EY ja sen kansallisen lainsäädännön täytäntöönpanon mukaan käytöstä poistetut sähkölaitteet on kerättävä erikseen ja hävitettävä tavalla, joka ei vahingoita ympäristöä.

## Vianmääritys

ONGELMA	SYY	TOIMENPIDE
<p>Painehuuhtelulaitte käy, mutta tuottaa vain vähän tai ei lainkaan painetta.</p>	<p>Riittämätön vedensyöttö.</p>	<p>Varmista, että vesihana on <b>auki</b>.</p> <p>Varmista, että painehuuhtelulaitteen tuloveden syöttöventtiili on <b>auki</b>.</p> <p>Varmista, että vedensyöttöletku on auki eikä se ole sykkyrällä tai litistynyt.</p>
<p>Painehuuhtelulaitetta ei säädy täydelle käyttöpaineelle käynnistyksen yhteydessä.</p>	<p>Järjestelmään on jäänyt ilmaa.</p> <p>Painepesulaitteen suuttimen reiät ovat tukossa.</p>	<p>Irrota suutin letkusta ja käytä painehuuhtelulaitetta ilman/roskien huuhtelemiseksi järjestelmästä.</p> <p>Irrota suutin ja puhdista suihkureiät suuttimen puhdistustyökalulla.</p>
<p>Painehuuhtelulaitteen painemittarin lukema vaihtelee 500:sta täydelle käyttöpaineelle.</p>	<p>Painepesulaitteen suuttimen reiät ovat tukossa.</p> <p>Järjestelmään on jäänyt roskia tai ilmaan.</p>	<p>Irrota suutin. Puhdista suuttimen reiät suuttimen puhdistustyökalulla: valitse oikean kokoinen metallilanka ja työnnä se jokaisen reiän läpi roskien poistamiseksi.</p> <p>Irrota suutin ja työnnä letku viemärilinjaan. Käytä painehuuhtelulaitetta ilman tai roskien huuhtelemiseksi.</p>



# Przepychacz ciśnieniowy

## Przepychacze ciśnieniowe KJ-2200/KJ-3100



KJ-3100



KJ-2200

### **⚠ OSTRZEŻENIE!**

Przed przystąpieniem do użytkowania narzędzia prosimy dokładnie przeczytać ten podręcznik obsługi. Niedopełnienie obowiązku przyswojenia i stosowania się do treści niniejszego podręcznika obsługi może spowodować porażenie prądem, pożar i/lub poważne obrażenia.

### Wodne przepychacze ciśnieniowe KJ-2200/KJ-3100

Zapisz poniżej numer seryjny i numer seryjny produktu umieszczony na etykiecie z nazwą.

Nr seryjny

--

## Spis treści

<b>Formularz zapisu numeru seryjnego urządzenia</b> .....	223
<b>Symbole ostrzegawcze</b> .....	225
<b>Ogólne zasady bezpieczeństwa</b> .....	225
Bezpieczeństwo w miejscu pracy .....	225
Bezpieczeństwo związane z elektrycznością.....	225
Bezpieczeństwo osobiste .....	225
Użytkowanie i konserwacja narzędzia.....	226
Serwis.....	226
<b>Ostrzeżenia dotyczące bezpieczeństwa przepychacza ciśnieniowego</b> .....	226
<b>Opis, dane techniczne i standardowe wyposażenie</b> .....	227
Opis .....	227
Dane techniczne .....	228
Ikony .....	228
Wyposażenie standardowe .....	228
<b>Montaż urządzenia</b> .....	229
Olej silnikowy .....	229
Olej przekładniowy/pompy.....	229
Wózek transportowy KJ-2200.....	229
Montaż uchwyty KJ-3100.....	229
<b>Przegląd przed rozpoczęciem pracy</b> .....	230
<b>Przygotowanie maszyny i obszaru roboczego</b> .....	231
Źródło wody .....	232
Przygotowanie odpływu.....	233
Przygotowanie węża.....	233
TABELA WYBORU WĘŻA PRZEPYCHACZA.....	235
TABELA WYBORU DYSZY PRZEPYCHACZA .....	235
<b>Instrukcje obsługi</b> .....	236
Przepychanie odpływu .....	237
Korzystanie z trybu pulsacyjnego.....	238
Używanie przepychacza wodnego jako myjki wysokociśnieniowej.....	239
Obsługa myjki wysokociśnieniowej.....	239
Wtryskiwacz detergentu .....	240
<b>Instrukcje konserwacji</b> .....	240
Czyszczenie .....	240
Silnik .....	240
Smarowanie pompy.....	240
Smarowanie skrzyni przekładniowej .....	240
Przygotowanie pompy do przechowywania w niskich temperaturach .....	240
<b>Wyposażenie pomocnicze</b> .....	241
<b>Przechowywanie urządzenia</b> .....	242
<b>Serwis i naprawa</b> .....	242
<b>Utylizacja</b> .....	242
<b>Rozwiązywanie problemów</b> .....	243
<b>Dożywotnia gwarancja</b> .....	Tylna okładka

\* Tłumaczenie instrukcji oryginalnej

## Symbole ostrzegawcze

W tym podręczniku obsługi oraz na produkcie użyto znaków i słów ostrzegawczych, które służą do podkreślania ważnych informacji dotyczących bezpieczeństwa. W tym rozdziale objaśniono znaczenie słów i znaków ostrzegawczych.



To jest symbol alerty bezpieczeństwa. Służy do ostrzegania przed potencjalnym ryzykiem obrażeń ciała. Przestrzeganie wszystkich zasad bezpieczeństwa, które występują po tym symbolu, zapewnia uniknięcie obrażeń lub śmierci.

### ⚠ NIEBEZPIECZEŃSTWO

NIEBEZPIECZEŃSTWO oznacza ryzyko wystąpienia sytuacji, która grozi śmiercią lub poważnymi obrażeniami, jeśli jej się nie zapobiegnie.

### ⚠ OSTRZEŻENIE

OSTRZEŻENIE oznacza ryzyko wystąpienia sytuacji, która może spowodować śmierć lub poważne obrażenia, jeśli jej się nie zapobiegnie.

### ⚠ UWAGA

UWAGA oznacza ryzyko wystąpienia sytuacji, która może spowodować małe lub średnie obrażenia, jeśli jej się nie zapobiegnie.

### NOTATKA

NOTATKA oznacza informację dotyczącą ochrony własności.



Ten symbol oznacza, że należy dokładnie przeczytać podręcznik obsługi przed użytkowaniem urządzenia w celu zmniejszenia ryzyka obrażeń. Podręcznik zawiera ważne informacje dotyczące bezpieczeństwa i prawidłowej obsługi sprzętu.



Ten symbol oznacza, że należy założyć okulary ochronne z bocznymi osłonami lub gogle podczas obsługi tego urządzenia, aby zmniejszyć ryzyko obrażeń oczu.



Ten symbol wskazuje ryzyko skierowania strumienia wody pod wysokim ciśnieniem na części ciała, a w konsekwencji obrażeń przecięcia i penetracji skóry.



Ten symbol wskazuje ryzyko skoków węża przepychacza, a w konsekwencji uderzeń i obrażeń penetracji skóry.



Ten symbol wskazuje ryzyko wdychania tlenku węgla, a w konsekwencji wystąpienia nudności, omdleń lub zgonu.



Ten symbol wskazuje ryzyko pożaru i wybuchu benzyny lub innych źródeł zapłonu, a w konsekwencji oparzeń i innych obrażeń.

## Ogólne zasady bezpieczeństwa

### ⚠ OSTRZEŻENIE

**Prosimy przeczytać i zrozumieć wszystkie instrukcje. Niestosowanie się do poniższych instrukcji może spowodować porażenie prądem, pożar i/lub poważne obrażenia.**

#### ZACHOWAJ TE INSTRUKCJE!

### Bezpieczeństwo w miejscu pracy

- Należy utrzymywać miejsce pracy czyste i dobrze oświetlone. Nieuporządkowane stoły i ciemne miejsce pracy zwiększa ryzyko wypadku.
- Nie używać narzędzi elektrycznych w środowisku wybuchowym, czyli w pobliżu łatwopalnych cieczy, gazów lub pyłów. Narzędzia elektryczne tworzą iskry, które mogą spowodować zapłon pyłu lub oparów.
- Podczas pracy narzędziem elektrycznym należy trzymać z dala dzieci i inne osoby. Odwrócenie uwagi może doprowadzić do utraty kontroli.

### Bezpieczeństwo związane z elektrycznością

- Unikać kontaktu ciała z powierzchniami uziemionymi, takimi jak rury, grzejniki, piekarniki i lodówki. Ryzyko porażenia prądem wzrasta, gdy ciało ma styczność z uziemieniem.

### Bezpieczeństwo osobiste

- Podczas pracy narzędziem elektrycznym należy kierować się zdrowym rozsądkiem i zachować ostrożność. Nie wolno używać narzędzia w stanie zmęczenia lub pod wpływem narkotyków, alkoholu lub leków. Chwila nieuwagi podczas pracy narzędziem elektrycznym może doprowadzić do poważnych obrażeń.
- Należy nosić odpowiednią odzież. Nie nosić luźnej odzieży ani biżuterii. Spinać długie włosy. Włosy, ubrania i rękawiczki trzymać z dala od elementów ruchomych. Luźna odzież, biżuteria lub długie włosy mogą zostać pochwycone przez ruchome elementy.
- Nie sięgać za daleko. Przez cały czas utrzymywać odpowiednie oparcie dla stóp i równowagę. Zapewni to lepszą kontrolę nad narzędziem w niespodziewanych sytuacjach.

- **Używać wyposażenia ochronnego.** Zawsze należy stosować ochronę oczu. Maska przeciwpływowa, bezpieczne obuwie antypoślizgowe, kask lub środki ochrony słuchu muszą być stosowane w odpowiednich warunkach, aby obniżyć ryzyko obrażeń ciała.

### Użytkowanie i konserwacja narzędzia

- **Nie przeciążać narzędzia. Użyć właściwego narzędzia dla danego zastosowania.** Właściwe narzędzie elektryczne zostało zaprojektowane tak, by wykonać prace lepiej i bezpieczniej.
- **Nie używać narzędzia elektrycznego z uszkodzonym przełącznikiem.** Każde narzędzie nie dające się kontrolować za pomocą przełącznika jest niebezpieczne i musi zostać naprawione.
- **Nie używane urządzenie przechowywać poza zasięgiem dzieci i osób nieprzeszkolonych.** Narzędzia są niebezpieczne w rękach niewykształconych użytkowników.
- **Starannie konserwować narzędzia. Narzędzia do cięcia powinny być przez cały czas ostre i czyste.** Właściwie konserwowane narzędzia do cięcia z ostrą krawędzią tnącą są łatwiejsze w obsłudze i nie blokują się tak często.
- **Sprawdzić części ruchome pod kątem niesio-wości lub ocierania bądź pęknięcia części oraz wszystkie inne warunki mające wpływ na pracę narzędzia. W przypadku uszkodzenia zlecić serwisowanie przyrządu przed jego użyciem.** Wiele wypadków powodowanych jest przez niewłaściwie konserwowane narzędzia.
- **Stosować wyłącznie akcesoria zalecane przez producenta dla używanego modelu.** Akcesoria, które są odpowiednie do jednego narzędzia, przy użyciu z innym mogą okazać się niebezpieczne.

### Serwis

- **Czynności serwisowe narzędzia mogą być przeprowadzane wyłącznie przez wykwalifikowany personel.** Serwisowanie i konserwacja przeprowadzone przez niewykwalifikowany personel mogą spowodować ryzyko obrażeń.
- **Do serwisowania narzędzia należy używać wyłącznie identycznych części zamiennych. Należy postępować zgodnie z instrukcjami zawartymi w rozdziale Konserwacja w tym podręczniku.** Używanie nieoryginalnych lub zepsutych części w trakcie czynności konserwacyjnych może spowodować ryzyko porażenia prądem i innych obrażeń.

## Ostrzeżenia dotyczące bezpieczeństwa przepychacza ciśnieniowego

### ▲ OSTRZEŻENIE

Ten rozdział zawiera ważne informacje dotyczące bezpieczeństwa użytkowania tego narzędzia.

**Przed rozpoczęciem użytkowania maszyny do czyszczenia odpływów należy dokładnie przeczytać te ostrzeżenia, aby zmniejszyć ryzyko porażenia prądem elektrycznym, pożaru lub poważnych obrażeń ciała.**

### ZACHOWAĆ WSZYSTKIE OSTRZEŻENIA I INSTRUKCJE NA PRZYSZŁOŚĆ!

Przechowywać ten podręcznik wraz z urządzeniem do użytku przez operatora.

- **Nie wolno obsługiwać przepychacza z końcówką węża wyciągniętą z odpływu.** Wąż może odskoczyć i uderzyć, a ciecz pod ciśnieniem może dostać się pod skórę i spowodować ciężkie obrażenia.
- **Woda pod wysokim ciśnieniem może dostać się pod skórę, prowadząc do ciężkich obrażeń, w tym amputacji.** Nie kierować strumienia pod ciśnieniem na ludzi lub zwierzęta.
- **Nie wolno używać przepychacza przy ciśnieniu wyższym niż znamionowe lub przy temperaturze 140°F / 60°C (temperaturze wody wlotowej).** Zwiększa to ryzyko obrażeń, w tym oparzeń, oraz uszkodzenie przepychacza.
- **Jedna osoba musi kontrolować zarówno proces przepychania, jak i zawór nożny. Zawsze używać zaworu nożnego.** Jeśli wąż przepychacza wyjdzie z odpływu, operator musi mieć możliwość zamknięcia przepływu wody, aby zmniejszyć ryzyko skoków węża przepychacza, powodujących uderzenia i obrażenia penetracji skóry pod wysokim ciśnieniem.
- **Podczas obsługi i użytkowania urządzenia w odpływach należy zawsze używać odpowiedniego sprzętu ochrony osobistej.** Odpływy i inne obszary mogą zawierać chemikalia, bakterie i inne substancje, które mogą być toksyczne, zakaźne i powodować oparzenia lub inne problemy. Odpowiedni sprzęt ochrony osobistej zawsze obejmuje rękawice i okulary ochronne oraz może obejmować wyposażenie takie jak rękawiczki gumowe lub lateksowe, osłony twarzy, gogle, odzież ochronną, maski oddechowate i buty z metalowymi noskami.



- **Należy postępować zgodnie z zasadami higieny. Po obsłudze lub użyciu urządzeń do czyszczenia ręce i inne części ciała wystawione na kontakt z zawartością odpływu należy umyć gorącą wodą z mydłem.** Podczas obsługi i przenoszenia urządzenia do czyszczenia odpływów nie wolno jeść ani palić. Zapobiegnie to zanieczyszczeniu toksyczną lub zakaźną substancją.
- **Nie wolno rozpylać toksycznych lub łatwopalnych cieczy.** Zmniejszy to ryzyko oparzeń, pożaru, wybuchu lub odniesienia innych obrażeń.
- **Benzyna i jej opary są szczególnie łatwopalne i wybuchowe.** Środki ostrożności mające na celu zmniejszenie ryzyka oparzeń, wybuchu lub odniesienia ciężkich obrażeń podczas obchodzenia się z benzyną podano w podręczniku obsługi silnika.
- **Silniki wydzielają tlenek węgla, bezbarwny i bezwonny trujący gaz. Wdychanie tlenku węgla może spowodować nudności, omdlenie lub zgon.** Nie wolno uruchamiać i używać silnika w pomieszczeniu, nawet przy otwartych oknach i drzwiach. Silnik uruchamiać tylko na zewnątrz pomieszczeń.
- **Gorące powierzchnie mogą spowodować oparzenia i pożar.** Części ciała i materiały łatwopalne utrzymywać z dala od gorących powierzchni.
- **Przed przystąpieniem do obsługi urządzenia należy zapoznać się i zrozumieć niniejszy podręcznik, podręcznik obsługi silnika oraz ostrzeżenia i instrukcje całego wyposażenia używanego wraz z tym narzędziem.** Niestosowanie do wszystkich ostrzeżeń i instrukcji może być przyczyną szkód materialnych lub poważnych obrażeń.

Deklaracja zgodności WE (890-011-320.10) jest dołączana w razie potrzeby do niniejszej instrukcji w formie oddzielnej broszury.

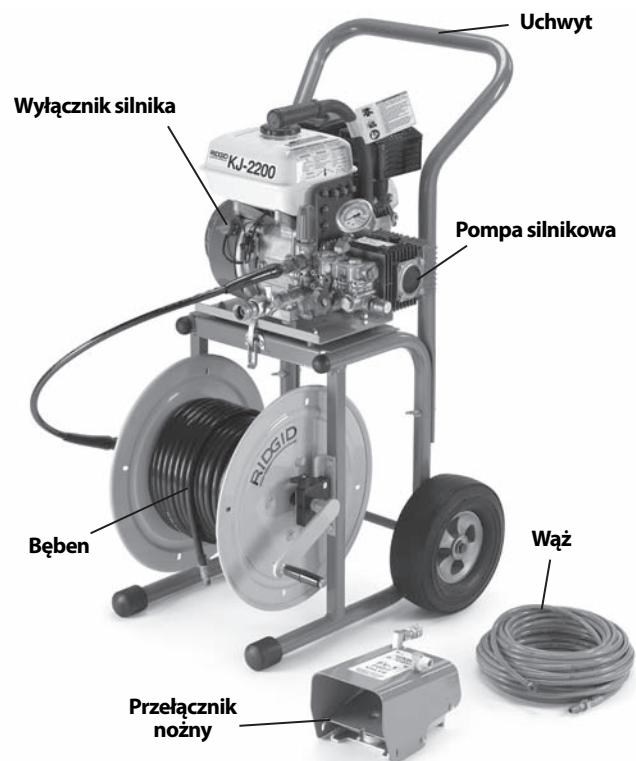
W razie jakichkolwiek pytań dotyczących tego produktu RIDGID® należy:

- skontaktować się z lokalnym dystrybutorem firmy RIDGID.
- odwiedzić stronę [www.RIDGID.com](http://www.RIDGID.com) lub [www.RIDGID.eu](http://www.RIDGID.eu) w celu znalezienia lokalnego punktu kontaktowego RIDGID.
- skontaktować się z Działem serwisowym RIDGID pod adresem [rtctechservices@emerson.com](mailto:rtctechservices@emerson.com) lub w USA i Kanadzie zadzwonić na numer (800) 519-3456.

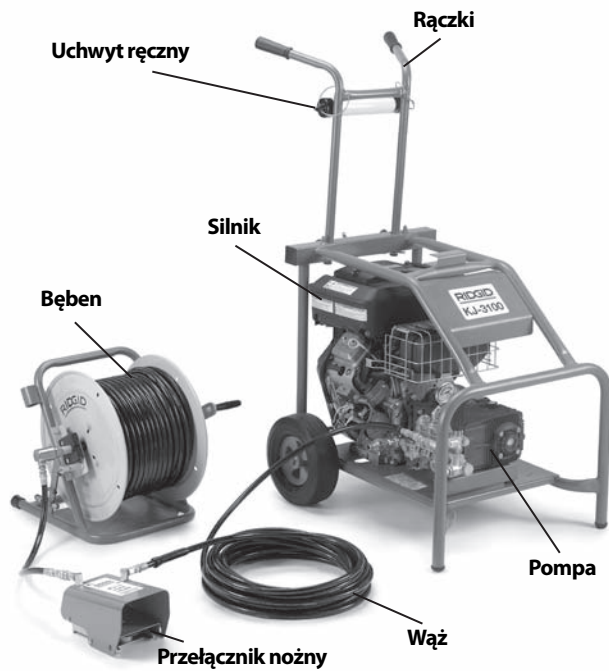
## Opis, dane techniczne i standardowe wyposażenie

### Opis

Silnikowe wodne przepychacze ciśnieniowe RIDGID® są przenośnymi wodnymi przepychaczami wysokociśnieniowymi przeznaczonymi do usuwania za pomocą strumienia wody pod ciśnieniem smaru, szlamu, osadów i korzeni z odpływów. Bardzo elastyczny i lekki wąż jest przepychany przez odpływ strumieniami wstecznymi z dyszy przepychacza, a przy wycofywaniu czyszczy zanieczyszczenia, spłukuje je. Aktywowanie trybu pulsacyjnego ułatwia przechodzenie przez kłopotliwe zakręty i pułapki. Wszystkie maszyny są wyposażone w silniki benzynowe napędzające pompę z trzema tłokami.



Rysunek 1 - Przepychacz wodny KJ-2200



Rysunek 2 - Przepychacz wodny KJ-3100



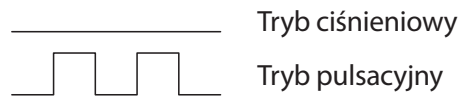
Rysunek 3 – Numer seryjny maszyny

Numer seryjny maszyny umieszczony jest na ramie. Ostatnie 4 cyfry określają miesiąc i rok produkcji. (08 = miesiąc, 10 = rok).

**Dane techniczne**

Model przepychacza	Silnik KM	Ciśnienie PSI / bar
KJ-2200	6.5 / 6,5	2200 / 150
KJ-3100	16	3000 / 205
Prędkość przepływu GPM / l	Pojemność linii odpływowej cal / mm	Masa (bez bębna węża) funt / . kg
2.4 / 9	1 1/4 - 6 / 32 - 152	65 / 30
5.5 / 20	2 - 10 / 50 - 250	262 / 119

**Ikony**



**Wyposażenie standardowe**

Wyposażenie wszystkich przepychaczy obejmuje:

- odpowiednie dysze przepychacza,
- przyrząd do czyszczenia dysz,
- zawór nożny FV-1,
- podręcznik obsługi silnika.

W katalogu RIDGID podano elementy dostarczanego wyposażenia wraz z numerami katalogowymi.

**NOTATKA** Maszyna ta służy do czyszczenia odpływów. Jeśli używa się jej we właściwy sposób, nie uszkodzi ona odpływu będącego w dobrym stanie, prawidłowo zaprojektowanego, zbudowanego i konserwowanego. Jeśli odpływ jest w złym stanie lub został niewłaściwie zaprojektowany, zbudowany lub konserwowany, czyszczenie może okazać się nieskuteczne lub uszkodzić odpływ. Najlepszym sposobem określenia stanu odpływu przed czyszczeniem jest dokładny przegląd wizualny za pomocą kamery. Niezgodne z przeznaczeniem użycie tego przepychacza może prowadzić do uszkodzenia samego urządzenia i odpływu. Ta maszyna może nie zlikwidować wszystkich zatorów.

## Montaż urządzenia

### ⚠ OSTRZEŻENIE

**Aby zapobiec poważnym obrażeniom podczas eksploatacji urządzenia i jego uszkodzeniu, należy przestrzegać poniższych procedur właściwego montażu.**

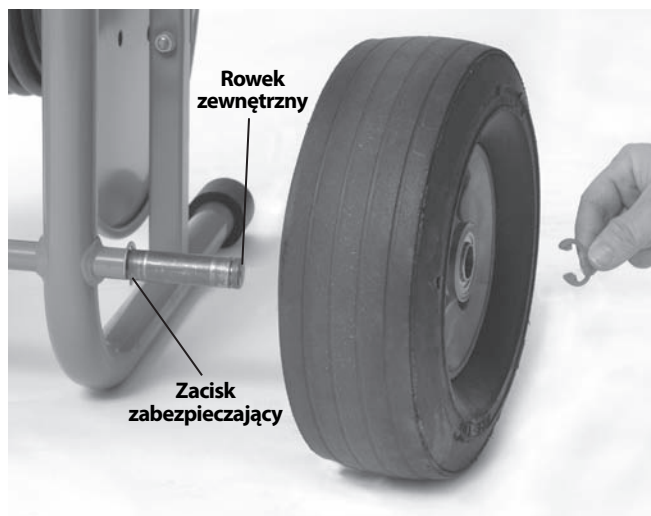
### Olej silnikowy

**NOTATKA** W silniku dostarczanego przepychacza nie ma oleju. Użytkowanie silnika bez oleju doprowadzi do jego awarii. Przed użytkowaniem urządzenia należy dodać olej. W dołączonym podręczniku obsługi silnika podano szczegółowe informacje dotyczące dodawania i wyboru oleju.

### Olej przekładniowy/pompy

**Pompa:** Wyjąć korek w górnej części pompy i założyć prętowy wskaźnik poziomu lub korek odpowietrzający. Użytkowanie przepychacza z założonym korkiem może prowadzić do uszkodzenia uszczelek pompy. Sprawdzanie poziomu oleju należy przeprowadzać według wytycznych rozdziału *Instrukcje konserwacji*.

**Skrzynia przekładniowa (tylko KJ-3100):** Zamiast korka w górnej części pompy założyć prętowy wskaźnik poziomu lub korek odpowietrzający. Użytkowanie przepychacza z założonym korkiem może prowadzić do uszkodzenia uszczelek przekładni. Sprawdzanie poziomu smaru należy przeprowadzać według wytycznych rozdziału *Instrukcje konserwacji*.



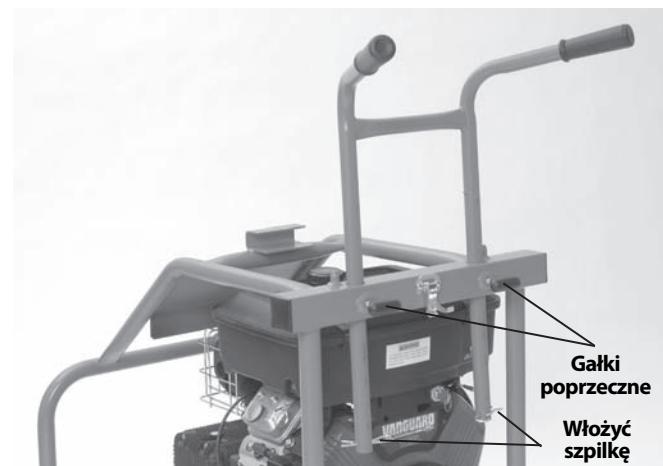
Rysunek 4 – Montaż urządzenia KJ-2200

### Wózek transportowy KJ-2200

1. Zamontować zacisk zabezpieczający w wewnętrznym rowku na obu końcach osi. (Patrz Rysunek 4.)
2. Wsunąć kółka na oba końce osi.
3. Zamontować zacisk zabezpieczający w zewnętrznym rowku na obu końcach osi, aby zablokować koła.
4. Zamocować uchwyt na ramie za pomocą dołączonych śrub i nakrętek motylkowych.
5. Nałożyć silnik/pompę na wózek, dopasowując otwory na płycie podstawy do trzpieni w górnej części wózka. Zablokować silnik/pompę za pomocą zatrzasków na wózku. Sprawdzić prawidłowe zamocowanie zespołu.

### Montaż uchwytu KJ-3100

1. Przełożyć uchwyt przez dwa otwory w tylnej belce poprzecznej ramy. (Patrz Rysunek 5.)
2. Przełożyć szpilkę przez otwory w dolnej części uchwytu, aby zabezpieczyć go przed wysunięciem.
3. Przykręcić gałki poprzeczne do tylnej belki poprzecznej. Ustawić gałki we właściwym położeniu i dokręcić je w celu zabezpieczenia uchwytu.

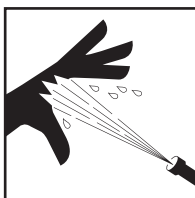


Rysunek 5 – Montaż uchwytu KJ-3100



## Przegląd przed rozpoczęciem pracy

### ⚠ OSTRZEŻENIE



Przed każdym użyciem należy sprawdzić przepychacz wodny i usunąć wszelkie problemy, aby zmniejszyć ryzyko poważnych obrażeń na skutek działania wody pod wysokim ciśnieniem i innych przyczyn oraz zapobiec uszkodzeniu przepychacza.

Przeprowadzając przegląd przepychacza, należy zawsze zakładać okulary i rękawice ochronne oraz inny odpowiedni sprzęt ochrony osobistej chroniący przed środkami chemicznymi i bakteriami na sprężcie.

1. Upewnić się, że wyłącznik/kluczyk silnika jest w pozycji wyłączenia.
2. Oczyszczyć urządzenie z oleju, smaru lub innego brudu, szczególnie uchwyty i elementy sterowania. Ułatwi to przegląd i sprawi, że maszyna lub element sterowania nie wysłizgnie się z ręki operatora.
3. Dokonać przeglądu przepychacza wodnego i wyposażenia dodatkowego pod kątem aspektów takich jak:
  - Właściwy montaż i kompletność.
  - Uszkodzone, zużyte, brakujące, niedopasowane, ocierające się lub obluzowane części.
  - Obecność i czytelność etykiet ostrzegawczych. (Patrz Rysunek 6.)
  - Wszelkie inne stany, które mogą negatywnie wpłynąć na bezpieczne, normalne działanie.

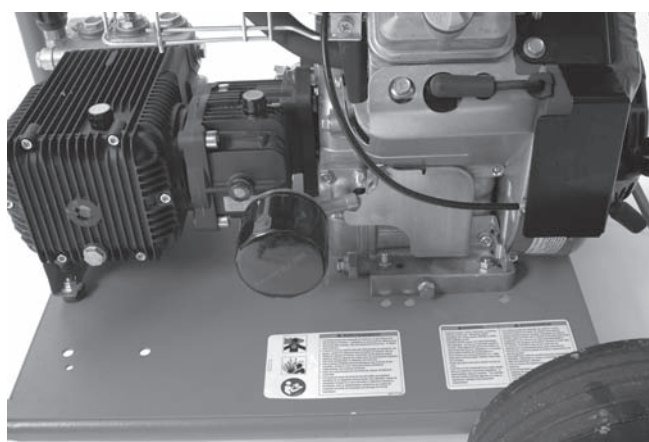
W przypadku wykrycia jakichkolwiek problemów przepychacza nie należy używać go do czasu ich usunięcia.



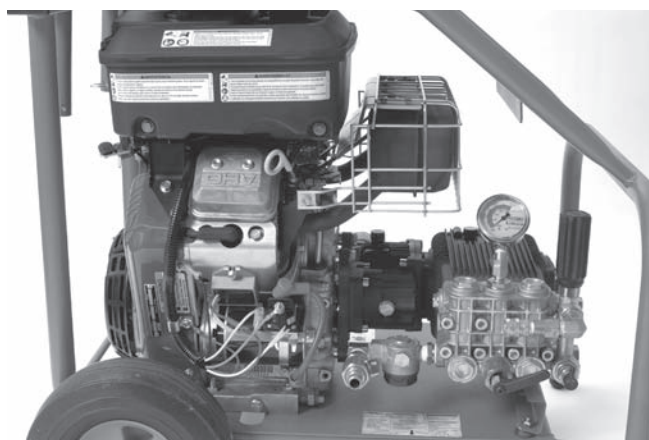
Rysunek 6A – Etykiety ostrzegawcze KJ-2200



Rysunek 6B – Etykiety ostrzegawcze KJ-2200



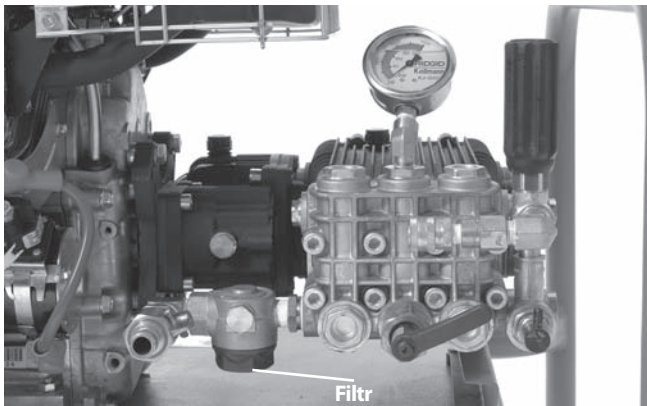
Rysunek 6C – Etykiety ostrzegawcze KJ-3100



Rysunek 6D – Etykiety ostrzegawcze KJ-3100

4. Oczyszczyć filtr wlotu wody/podkładkę filtra. Odkręcić pokrywę z dolnej części filtra wlotowego do czyszczenia. Zabrudzenia i pozostałości mogą ograniczać przepływ wody i ograniczać wydajność.





Rysunek 7 - Filtr wlotowy/Podkładka filtra

5. Sprawdzić otwory dyszy przepychacza pod kątem uszkodzeń lub zatorów. Zatory można przeczyszczyć przyrządem do czyszczenia dyszy. Podczas czyszczenia należy zachować ostrożność, aby nie poszerzyć otworów dysz. Uszkodzone dysze lub dysze z poszerzonymi otworami mogą obniżyć wydajność przepychacza i należy je naprawić.
6. Sprawdzić węże, przyłącza i złączki pod kątem zużycia i uszkodzeń. W razie stwierdzenia jakichkolwiek załamań, pęknięć, przecięć lub zużycia na zewnętrznej osłonie węża lub innych uszkodzeń nie używać takiego węża. Uszkodzone węże mogą pęknąć lub przepuszczać wodę pod wysokim ciśnieniem i spowodować poważne obrażenia. Węże i łączniki zamienne powinny mieć parametry znamionowe równe i wyższe niż ciśnienie przepychacza.
7. Przeglądu i konserwacji silnika dokonywać według podręcznika obsługi silnika.
8. Sprawdzić poziom paliwa silnika. W przypadku urządzenia KJ-3100 odłączyć zatrask bębna węża i obrócić bęben węża do przodu, aż spocznie na ramie w celu uzyskania dostępu do korka zbiornika benzyny Rysunek 8. W razie potrzeby uzupełnić benzyną bezołowiową. Informacje szczegółowe podano w instrukcji obsługi silnika. Przy obchodzeniu się z benzyną zachować ostrożność. Paliwo uzupełniać na dobrze wietrzonym obszarze. Nie przepelniać zbiornika i nie rozlewać paliwa. Sprawdzić prawidłowo zamknięcie korka zbiornika.



Rysunek 8 - Dostęp do zbiornika paliwa KJ-3100

9. Sprawdzać poziom oleju w pompie i skrzyni przekładni (jeśli wyposażono) i uzupełnić olej w razie potrzeby (patrz rozdział Instrukcje konserwacji).

## Przygotowanie maszyny i obszaru roboczego

### ⚠ OSTRZEŻENIE



**Przygotowując przepychacz, należy zawsze zakładać okulary i rękawice ochronne oraz inny odpowiedni sprzęt ochrony osobistej zabezpieczający przed środkami chemicznymi i bakteriami na sprzęcie. Antypoślizgowe buty na gumowych podszewkach mogą uchronić przed poślizgnięciem na mokrych powierzchniach.**

**Silniki wydzielają tlenek węgla, bezbarwny i bezwonny trujący gaz. Wdychanie tlenu węgla może spowodować nudności, omdlenie lub zgon. Nie wolno uruchamiać i używać silnika w pomieszczeniu, nawet przy otwartych oknach i drzwiach. Silnik uruchamiać tylko na zewnątrz pomieszczeń.**

**Przygotować przepychacz i obszar roboczy zgodnie z poniższymi procedurami, aby zmniejszyć ryzyko**

### obrażeń na skutek działania wody pod wysokim ciśnieniem, oparzeń chemicznych, zakażeń, tlenku węgla i innych przyczyn oraz uszkodzenia przepychacza.

1. Sprawdzić obszar roboczy pod kątem warunków takich jak:
  - Odpowiednie oświetlenie.
  - Występowanie łatwopalnych cieczy, oparów lub kurzu mogących spowodować zapłon. Jeśli one występują, nie pracować na tym obszarze, dopóki źródła tych zanieczyszczeń nie zostaną rozpoznane i usunięte. Przepychacz nie jest odporny na wybuchy i może powodować iskrzenie.
  - Czyste, równe, stabilne i suche miejsce dla urządzenia i operatora. W razie potrzeby usunąć wodę z obszaru roboczego. Może okazać się rozłożenie desek lub innych płyt.
  - Umieszczenie przepychacza - dobrze wietrzony obszar na zewnątrz. Nie ustawiać przepychacza w pomieszczeniach, nawet przy otwartych drzwiach i oknach. Przepychacz można ustawić z dala od miejsca użycia.
  - Odpowiednie źródło wody.
  - Droga bez przeszkód do przemieszczenia przepychacza na miejsce przygotowania.
2. Sprawdzić odpływ do oczyszczenia. Jeśli to możliwe, określić miejsca dostępu do odpływu, jego rozmiary i długości, odległość do kanalizacji, naturę zatoru, obecność chemikaliów do czyszczenia odpływów lub innych środków chemicznych itp. Jeśli chemikalia są obecne w odpływie, ważne jest przyswojenie właściwych dla nich środków bezpieczeństwa wymaganych podczas pracy w ich obecności. Koniecznych informacji udziela producent substancji chemicznej.
 

W razie potrzeby zdemontować instalację (klozet itp.) w celu uzyskania dostępu do odpływu. Nie wprowadzać węża przez instalację. Może to uszkodzić wąż i instalację.
3. Określić właściwe urządzenie dla danego zastosowania. Informacje dotyczące modeli przepychaczy *podano w Danych technicznych*. Maszyny do czyszczenia odpływów i przepychacze dla innych zastosowań można znaleźć w katalogu online RIDGID na stronie [www.RIDGID.com](http://www.RIDGID.com) lub [www.RIDGID.eu](http://www.RIDGID.eu).
4. Upewnić się, że przegląd urządzenia został prawidłowo przeprowadzony.
5. Ocenić obszar roboczy i określić, czy wymagane są bariery do odgradzenia się od osób postronnych. Osoby postronne mogą rozpraszać uwagę operatora. Przy pracy w pobliżu ruchu ulicznego należy rozstawić pachołki lub inne bariery ostrzegające kierowców.

6. W razie potrzeby umieścić osłony ochronne w obszarze roboczym. Proces czyszczenia odpływu może być brudzący.
7. Przenieść przepychacz do dobrze wietrzonego obszaru na zewnątrz po drodze bez przeszkód. Jeśli konieczne jest podniesienie maszyny, zastosować odpowiednią technikę podnoszenia. Zachować ostrożność przy przenoszeniu urządzenia po schodach i uważać, aby się nie pośliznąć. Nosić odpowiednie obuwie zabezpieczające przed poślizgiem.

### Źródło wody

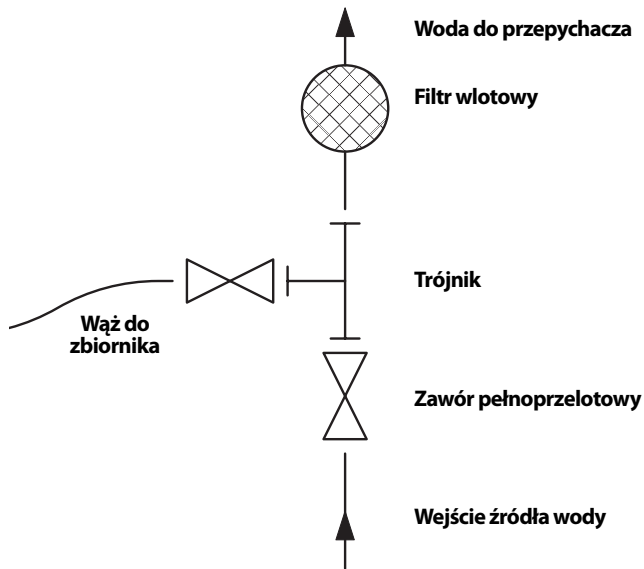
Upewnić się, że dostępny jest dostateczny przepływ wody dla przepychacza. Poprowadzić wąż od źródła wody do przepychacza. Użyć węża o możliwie największej średnicy i najkrótszej długości. Zalecaną minimalną średnicą wewnętrzną węża jest  $\frac{3}{4}$  cala / 19 mm. Należy użyć odpowiedniego urządzenia zabezpieczającego przed przepływem cofającym, spełniającego wszystkie przepisy lokalne. Odkręcić przepływ wody w źródle i zmierzyć czas napełnienia czystego wiadra 5 gal. / 18,9 l. *W poniższej tabeli podano maksymalne czasy napełnienia wiadra dla każdego modelu przepychacza.*

Przepychacz	Wart. znamionowa GPM / l	Maksymalny czas napełnienia wiadra 5 gal. / 18,9 l
KJ-2200	2.4 / 9	125 sekund
KJ-3100	5.5 / 20	55 sekund

Niedostateczny przepływ wody nie pozwala na osiągnięcie przez przepychacz ciśnienia znamionowego i może uszkodzić pompę. Sprawdzić wodę w wiadrze pod kątem zanieczyszczeń i pozostałości. Zanieczyszczenia i pozostałości w źródle wody mogą powodować nadmierne zużycie pompy, zapychanie dysz filtrów przepychacza i obniżyć wydajność. Nie używać wody ze stawów, jezior lub innych źródeł, które mogą być zanieczyszczone.

Rozwiązaniem w przypadku niedostatecznego przepływu wody może okazać się użycie złączek umożliwiających podłączenie do przepychacza kilku węży lub skorzystanie ze zbiornika.

W przypadku korzystania ze zbiornika należy podłączyć do przepychacza trójnik z zaworami pełnoprzetowymi jak pokazano na *Rysunku 9*. Podłączyć wąż o śr.  $\frac{3}{4}$  cal / 19 mm a o dł. maksymalnej 6 stóp / 1,8 m do zaworu na wyjściu trójnika, a źródło wody do linii przepływu trójnika. Umieścić końcówkę węża w zbiorniku lub podłączyć do jego wyjścia. Całkowita długość węża do zbiornika nie powinna być większa o 5 cali / 12,7 cm niż długość węża do wejścia wody przepychacza. W przeciwnym razie przepychacz nie będzie ciągnął wody ze zbiornika.



Rysunek 9 - Podłączenie źródła wody w przypadku użycia zbiornika

Przed uruchomieniem przepychacza napełnić zbiornik. Przy rozruchu przepychacza zakręcić zawór zbiornika. Po uruchomieniu przepychacza otworzyć zawór zbiornika. Monitorować poziom wody w zbiorniku, zatrzymać przepychacz w celu uzupełnienia zbiornika. Nie wolno dopuścić, aby poziom wody spadł poniżej poziomu końcówki węża.

Można użyć gorącej wody w celu zwiększenia wydajności czyszczenia. Nie używać wody o temperaturze wyższej niż 140°F / 60°C – wyższa temperatura może aktywować zabezpieczenie przed przeciążeniem termicznym pompy. Używając ciepłej wody, należy nosić odpowiedni sprzęt ochrony osobistej, aby zmniejszyć ryzyko oparzeń.

Używając zimnej wody, zastosować środki ostrożności zabezpieczające przed zamrożeniem wody w pompie. Zamrożenie wody może uszkodzić pompę.

Upewnić się, że zawór wlotowy źródła na przepychaczu jest zamknięty i podłączyć wąż ze źródła do przepychacza.

### Przygotowanie odpływu

W przypadku pracy przez właz, kratę burzową lub inny duży punkt dostępu należy za pomocą rury i złączek zbudować prowadnicę do węża od otworu odpływowego do punktu roboczego. Zapobiegnie to skokom węża przepychacza w obszarze punktu dostępu i zabezpieczy przed uszkodzeniem węża.



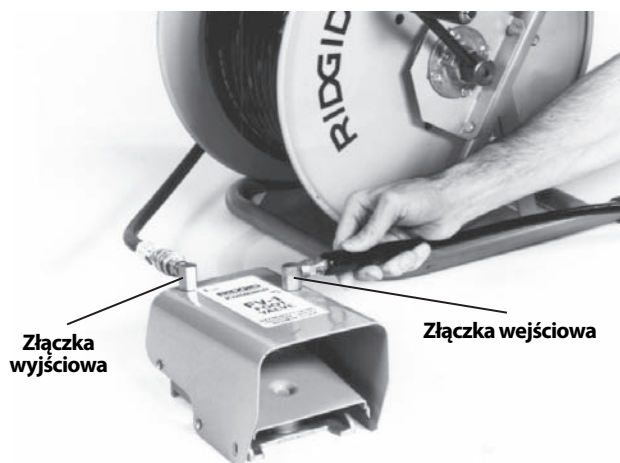
Rysunek 10 – Przedłużenie odpływu do punktu roboczego

### Przygotowanie węża

Przy prowadzeniu węża przepychacza zachować ostrożność. Prowadzenie węża po nierównych powierzchniach, ostrych krawędziach, krzyżowanie węży itp. może uszkodzić osłonę węża, zwłaszcza w trybie pulsacyjnym przepychacza. Zwinięcie węża przepychacza na bęben zmniejszy ryzyko jego uszkodzenia.

1. Wybrać rozmiar węża przepychacza odpowiedni do czyszczonego odpływu. Zasadniczo nie zaleca się łączenia razem dwóch węży przepychacza do czyszczenia odpływu. Połączenie dwóch węży jest mniej elastyczne i może ograniczać przejście przez elementy instalacji. *Patrz Tabela wyboru węża przepychacza.*
2. W razie potrzeby odłączyć bęben węża od zespołu silnika/pompy. Ustawić bęben węża w odległości 3 stóp / 90 cm od otworu odpływu. Nie pozostawiać nadmiernych odcinków węża na zewnątrz odpływu, aby go nie uszkodzić. Jeśli bębna węża nie można umieścić w odległości 3 stóp / 90 cm od otworu odpływu, zamontować przedłużenie do bębna węża za pomocą rury i złączek o tych samym rozmiarze.
3. Poprowadzić wąż od przepychacza do złączki wejściowej IN na zaworze nożnym. Uszczelnić połączenie za pomocą taśmy teflonowej. Ustawić zawór nożny w położeniu łatwo dostępnym. Operator musi mieć możliwość jednoczesnego kontrolowania węża przepychacza i zaworu nożnego.
4. Podłączyć wąż od bębna do złączki wyjściowej OUT na zaworze nożnym.




**Rysunek 11 – Podłączenie zaworu nożnego**

5. Zaznaczyć przy końcówce węża przepychacza miejsce, w którym przy wycofywaniu dysza dochodzi do otworu odpływu. Zabezpieczy to przed skokami węża przy wyjściu dyszy z odpływu. Odległość ta zależy od konstrukcji odpływu, ale powinna wynosić co najmniej 4 stopy / 1,2 m.
6. Zdjąć dyszę z końcówki węża przepychacza i włożyć końcówkę węża do odpływu. Otworzyć zawór wlotowy źródła w celu usunięcia powietrza i wszelkich pozostałości z przepychacza i węży. Pozostawić przepływ wody na co najmniej 2 minuty.
7. Zamknąć zawór wlotowy źródła.
8. Wybrać dyszę. Używać dysz o rozmiarach przeznaczonych do używanego przepychacza. Użycie nieodpowiednich dysz może spowodować obniżenie wydajności (niższe ciśnienie robocze lub słabszy przepływ) lub uszkodzić przepychacz na skutek zbyt wysokiego ciśnienia. Upewnić się, że otwory dysz są czyste i drożne. *Patrz Tabela wyboru węża przepychacza.*

W przypadku używania dyszy RR3000 w odpływach większych niż 6 cali / 152 mm do 9 cali / 229 mm należy zastosować rozszerzenie. W przypadku odpływów 6 cali / 152 mm i mniejszych rozszerzenie nie jest konieczne. W razie potrzeby ręcznie dokręcić mocno rozszerzenie do dyszy RR3000 - nie przekręcić. Użycie dyszy RR3000 w rurze większej niż 6 cali / 152 mm do 9 cali / 229 mm bez rozszerzenia lub w rurach większych niż 9 cali / 229 mm może prowadzić do zmiany kierunku dyszy w odpływie, wydotowania się i uderzenia użytkownika, powodując poważne obrażenia (Rysunek 12).

9. Mocno dokręcić ręką dyszę do końcówki węża - nie przekręcić. Przekręcenie dyszy może ją uszkodzić i obniżyć wydajność.

10. Włożyć wąż z założoną dyszą do odpływu i otworzyć zawór wlotowy źródła. Upewnić się, że woda przepływa swobodnie przez dyszę i zamknąć zawór wlotowy źródła.


**Rysunek 12 – Dysza RR3000 z rozszerzeniem**



**TABELA WYBORU WĘŻA PRZEPYCHACZA**

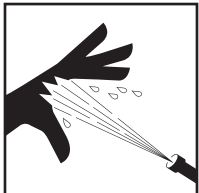
Zastosowania		Średnica rury cal / mm	Rozmiar dyszy cal / mm	Rozmiar węża (śred. wewn.) cal / mm	Rozmiar węża (śred. zewn.) cal / mm
KJ-2200	Zlewy łazienkowe, pisuary i małe linie.	1 1/4 - 2 / 32 - 50	1/8 / 3,2 NPT	1/8 / 3,2	3/16 / 4,8
	Zlewy kuchenne, zlewy i kominy pralnicze, szlamniki i odpowietrzniki.	2 - 3 / 50 - 76	1/8 / 3,2 NPT	3/16 / 4,8	1/4 / 6,4
	Odpływy prysznicowe i podłogowe, kanały spływowe i odtłuszczalniki.	3 - 4 / 76 - 101	1/4 / 6,4 NPT	1/4 / 6,4	1/2 / 13
	Linie boczne i główne.	4 - 6 / 101 - 152	1/4 / 6,4 NPT	1/4 / 6,4	1/2 / 13
KJ-3100	Kominy, szlamniki i odpowietrzniki.	2 - 3 / 50 - 76	1/8 / 3,2 NPT	3/16 / 4,8	1/4 / 6,4
	Odpływy podłogowe, kanały spływowe i odtłuszczalniki.	3 - 4 / 76 - 101	1/4 / 6,4 NPT	3/8 / 9,5	5/8 / 16
	Linie boczne i główne.	4 - 10 / 101 - 250	1/4 / 6,4 NPT	3/8 / 9,5	5/8 / 16

**TABELA WYBORU DYSZY PRZEPYCHACZA**

KJ-2200	<b>Rozmiar gwintu, cale / mm</b>	1/8 / 3,2 NPT	1/4 / 6,4 NPT
	<b>Rozmiar węża (średnica wewnętrzna), cale / mm</b>	1/8 i 3/16 / 3,2 i 4,8	1/4 / 6,4
	<b>Rozmiar węża (średnica zewnętrzna), cale / mm</b>	3/16 i 1/4 / 4,8 i 6,4	1/2 / 13
	Trzy strumienie wsteczne dla zapewnienia ciągu umożliwiającego mycie ciśnieniowe długich odcinków. Dyszy tej należy używać w większości zastosowań.	<b>H-61</b>	<b>H-71</b>
	Trzy strumienie wsteczne wraz z jednym ciągiem do przodu do penetrowania zatorów z utwardzonych smarów lub szlamu. Strumień do przodu wybija w zatorze mały otwór, służący do wprowadzenia dyszy. Jest on również bardzo skuteczny w przypadku zatorów lodowych.	<b>H-62</b>	<b>H-72</b>
Głowica przegubowa ułatwiająca przechodzenie przez kłopotliwe zakręty. Głowica zawiera trzy strumienie wsteczne.	<b>H-64</b>		
Dysza obrotowa służąca do czyszczenia smaru i podobnych zatorów w odpływach.	<b>H-65</b>	<b>H-75</b>	
KJ-3100	<b>Rozmiar gwintu, cale / mm</b>	1/8 / 3,2 NPT	1/4 / 6,4 NPT
	<b>Rozmiar węża (średnica wewnętrzna), cale / mm</b>	3/16 / 4,8	3/8 / 9,5
	<b>Rozmiar węża (średnica zewnętrzna), cale / mm</b>	1/4 / 6,4	5/8 / 16
	Cztery (4) strumienie wsteczne dla zapewnienia ciągu umożliwiającego mycie ciśnieniowe długich odcinków. Dyszy tej należy używać w większości zastosowań.	<b>H-101</b>	<b>H-111</b>
	Trzy strumienie wsteczne wraz z jednym ciągiem do przodu do penetrowania zatorów z utwardzonych smarów lub szlamu. Strumień do przodu wybija w zatorze mały otwór, służący do wprowadzenia dyszy. Jest on również bardzo skuteczny w przypadku zatorów lodowych.	<b>H-102</b>	<b>H-112</b>
	Głowica przegubowa ułatwiająca przechodzenie przez kłopotliwe zakręty. Głowica zawiera cztery (4) strumienie wsteczne.	<b>H-104</b>	
Dysza obrotowa ułatwiająca czyszczenie smaru i podobnych zatorów w odpływach.	<b>H-105</b>	<b>H-115</b>	
Do usuwania korzeni i zatorów innego typu. UWAGA! Przy czyszczeniu odpływów o średnicy 200 mm / 8 cali należy używać rozszerzenia do stabilizowania głowicy RR3000.		<b>RR3000</b>	

## Instrukcje obsługi

### ⚠ OSTRZEŻENIE



**Zawsze należy nosić okulary ochronne zabezpieczające oczy przed brudem i innymi ciałami obcymi. Zawsze nosić sprzęt ochrony osobistej odpowiedni do środowiska roboczego.**

**Nie wolno obsługiwać przepychacza z końcówką węża wyciągniętą z odpływu. Wąż może odskoczyć i uderzyć, a ciecz pod ciśnieniem może dostać się pod skórę i spowodować ciężkie obrażenia.**

**Ciecz pod wysokim ciśnieniem może dostać się pod skórę, prowadząc do ciężkich obrażeń, w tym amputacji. Nie kierować strumienia pod ciśnieniem na ludzi lub zwierzęta.**

**Nie wolno używać przepychacza przy ciśnieniu wyższym niż znamionowe lub przy temperaturze 140°F / 60°C (temperaturze wody wlotowej). Zwiększa to ryzyko obrażeń, w tym oparzeń, oraz uszkodzenie przepychacza.**

**Jedna osoba musi kontrolować zarówno proces przepychania, jak i zawór nożny. Zawsze używać zaworu nożnego. Jeśli wąż przepychacza wyjdzie z odpływu, operator musi mieć możliwość zamknięcia przepływu wody, aby zmniejszyć ryzyko skoków węża przepychacza, powodujących uderzenia i obrażenia penetracji skóry pod wysokim ciśnieniem.**

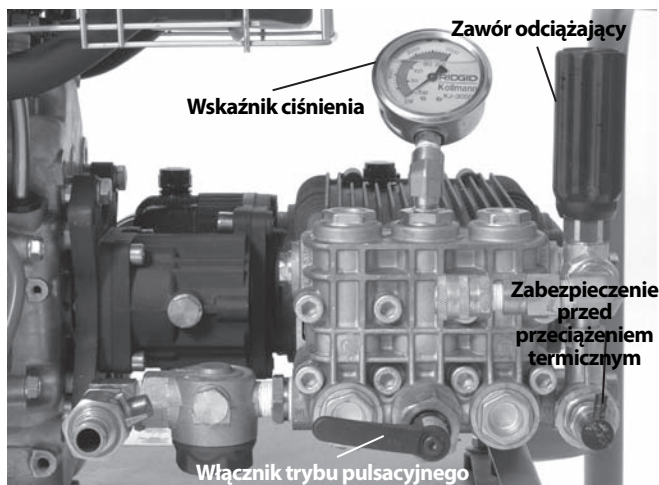
**Podczas obsługi i użytkowania urządzenia w odpływach należy zawsze używać odpowiedniego sprzętu ochrony osobistej. Odpływy i inne obszary mogą zawierać chemikalia, bakterie i inne substancje, które mogą być toksyczne, zakaźne i powodować oparzenia lub inne problemy. Odpowiedni sprzęt ochrony osobistej zawsze obejmuje rękawice i okulary ochronne oraz może obejmować wyposażenie takie jak rękawiczki gumowe lub lateksowe, osłony twarzy, gogle, ubranie ochronne, maski oddechowe i buty z metalowymi noskami.**

**Należy postępować zgodnie instrukcją obsługi, aby zmniejszyć ryzyko obrażeń na skutek odskoczenia węża, dostania się cieczy pod skórę pod wysokim ciśnieniem, emisji tlenku węgla i innych przyczyn.**

1. Upewnić się, że maszyna i obszar roboczy są właściwie przygotowane i na obszarze roboczym nie znajdują się osoby postronne i inne czynniki odwracające uwagę. Jeśli przepychacz znajduje się w pewnej

odległości od punktu użycia, druga osoba powinna stać przy przepychaczu.

2. Włożyć wąż z założoną dyszą do odpływu na długość co najmniej 90 cm, aby końcówka węża nie wystawała z odpływu i nie wyskoczyła przy rozruchu maszyny.
3. Upewnić się, że dźwignia włącznika trybu pulsacyjnego jest przekręcona w lewo w położenie „Ciśnienie” (Rysunek 16).
4. Otworzyć zawór wlotowy źródła. Nie wolno uruchamiać silnika bez otwartego źródła wody. W takim wypadku można uszkodzić pompę.
5. Nacisnąć zawór nożny w celu zmniejszenia ciśnienia i uruchomienia silnika. Upewnić się, że woda przepływa swobodnie przez dyszę. Uruchomić silnik zgodnie z instrukcjami rozruchu podanymi w podręczniku obsługi silnika. Pozostawić silnik włączony do rozgrzania.



Rysunek 13 – Elementy sterujące

6. Otworzyć zawór odciążający, sprawdzając wskaźnik ciśnienia, w celu ustawieniażądanego ciśnienia (obrót w prawo - wzrost ciśnienia, obrót w lewo - spadek ciśnienia). Nie przekraczać ciśnienia znamionowego maszyny. Nie wolno przekręcać na siłę zaworu odciążającego lub przekręcać go za pomocą wkrętek lub innych narzędzi. Może to uszkodzić zawór odciążający.

Przepychacz	Ciśnienie znamionowe, PSI / bar
KJ-2200	2200 / 150
KJ-3100	3000 / 205

Jeśli przepychacz nie generuje ciśnienia znamionowego lub działa wadliwie:

- Sprawdzić, czy ustawienie przepustnicy silnika jest prawidłowe.
  - Upewnić się, że zawór wlotowy oraz inne zawory w układzie źródła są całkowicie otwarte.
  - Przekręcić zawór odciążający w prawo w celu zwiększenia ciśnienia. Nie robić tego na siłę.
  - Upewnić się, że włącznik trybu pulsacyjnego jest w położeniu „Ciśnienie”.
  - Przełączyć kilka razy włącznik trybu pulsacyjnego między ustawieniem „Ciśnienie” i „Pulsacje” przy włączonym urządzeniu w celu usunięcia zablokowanego powietrza z systemu.
  - Sprawdzić szczelność systemu. Zachować odpowiednią ostrożność przy sprawdzaniu, aby uniknąć obrażeń. W razie stwierdzenia nieszczelności wyłączyć przepychacz przed przystąpieniem do jej usunięcia.
  - Wyłączyć przepychacz. Sprawdzić filtr wlotu wody/podkładkę filtra i upewnić się, że nie ma na nich pozostałości.
  - Upewnić się, że dostępny jest wystarczający przepływ wody do przepychacza.
  - Wyłączyć przepychacz i zamknąć zawór wlotowy źródła. Zdjąć dyszę i oczyścić otwory przyrządem do czyszczenia dysz.
  - Uruchomić przepychacz bez dyszy na węży w celu usunięcia powietrza lub pozostałości z systemu. Wyłączyć przepychacz przez zdjęciem lub założeniem dyszy.
7. Przyjąć prawidłową pozycję roboczą.
- Upewnić się, że można bez problemu kontrolować włączanie/wyłączanie zaworem nożnym. Nie naciskać jeszcze zaworu nożnego.
  - Upewnić się, że utrzymuje się równowagę i nie ma konieczności wychylania się.
  - Operator musi być w stanie trzymać przez cały czas jedną rękę na węży przepychacza, aby kontrolować i podtrzymywać wąż.
  - Operator musi być w stanie dosięgnąć bębna w celu zwijania węża.
- Taka pozycja robocza ułatwia utrzymanie kontroli nad węży przepychacza.




Rysunek 14 – Właściwa pozycja robocza

### Przepychanie odpływu

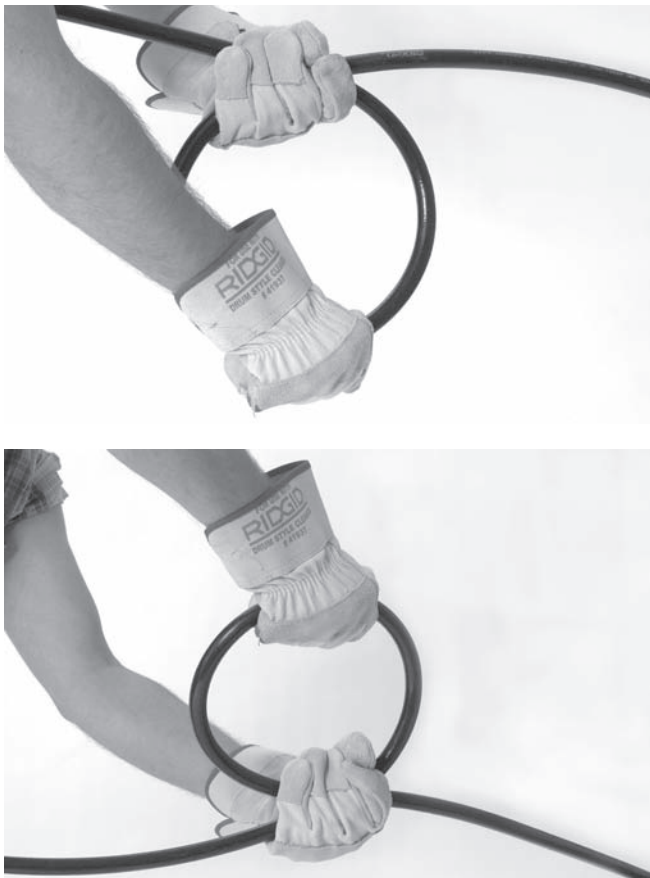
Podczas przepychania odpływu wąż zazwyczaj wprowadza się do odpływu na całej odległości do czyszczenia, a następnie wolno wycofuje. Umożliwia to kierowanie strumienia wody pod wysokim ciśnieniem na ścianę odpływu w celu usunięcia osadu.

Wyjąć sworzeń zabezpieczający na bębnie węża. Wsunąć co najmniej 90 cm węża, trzymając jedną ręką wąż w celu jego kontrolowanego wsuwania, i nacisnąć zawór nożny. Trzy strumienie wsteczne z dyszy ułatwiają wpychanie węża do odpływu. Wsunąć wąż na maksymalną odległość wymaganą do czyszczenia. Jeśli wąż się zatrzyma, oznacza to, że napotkał na jakąś przeszkodę.

Jeśli dysza nie może przejść przez przeszkodę, np. zmianę kierunku rury (syfon, zakręt itp.) lub zator:

- Przesuwać wąż szybkimi szarpnięciami.
- Obracać wąż o ćwierć do połowy obrotu w celu ustawienia węża zgodnie z zmianą kierunku (po obróceniu węża i przejściu przez przeszkodę obrócić go z powrotem, aby uniknąć zaginania) *Patrz Rysunek 15.*
- Użyć trybu pulsacyjnego.  (patrz następny rozdział).
- Użyć węża do syfonów lub węża o mniejszej średnicy.





**Rysunek 15 – Obracanie węża**

Po przejściu przez zator poświęcić czas na oczyszczenie tego miejsca w odpływie przed dalszym wsuwaniem. Wsunąć wąż na kilkadziesiąt centymetrów za obszar przeszkody i wolno wycofać przez ten obszar. Powtórzyć to kilka razy, a następnie kontynuować dalsze wsuwanie do odpływu.

Obserwować poziom wody w odpływie. Jeśli poziom wody jest zbyt wysoki, koniecznym może okazać się wyłączenie przepychacza i odczekanie, aż woda spłynie odpływem. Przepychanie w rurze pełnej wody jest mniej wydajne niż w przypadku pustej rury. Nie pozostawiać uruchomionego przepychacza z zamkniętym zaworem nożnym przez długi okres czasu. Kiedy zawór nożny jest zamknięty, woda krąży w pompie w obiegu zamkniętym i nagrzewa się. Może to spowodować aktywowanie zabezpieczenia przed przeciążeniem termicznym pompy.

Po wprowadzeniu dyszy na żądaną odległość w odpływie, wolno (1 stopa / 30 cm na minutę w przypadku grubych osadów w odpływie) wycofywać dyszę z odpływu. Jedną ręką kontrolować wąż, a drugą zwiijać go na bębnie. Obserwować dochodzenie głowicy do otworu odpływu i uważać, aby dysza nie wyszła z od-

pływu przy przepływie wody. Wyjście dyszy z odpływu może spowodować skok węża, a w konsekwencji uderzenia i obrażenia na skutek działania cieczy pod wysokim ciśnieniem. Zawsze utrzymywać kontrolę nad wężem. Obserwować pojawienie się oznaczenia przed dyszą na wężu. Zwolnić zawór nożny w celu zamknięcia przepływu wody.

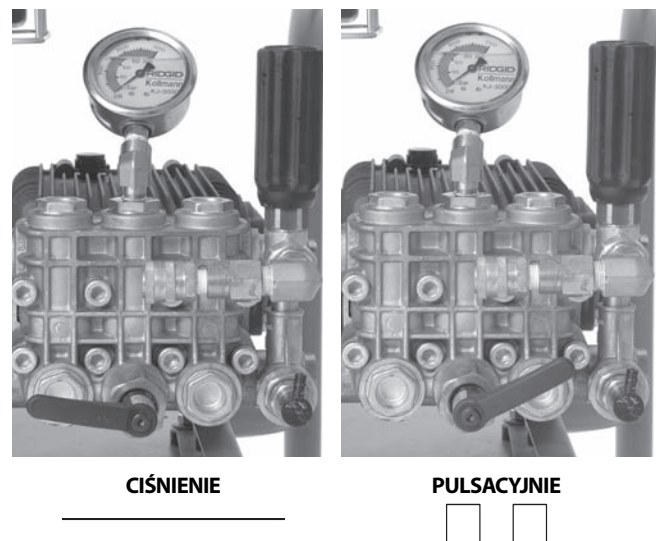
Wyłączyć silnik zgodnie z wytycznymi podręcznika obsługi silnika i nacisnąć zawór nożny w celu opróżnienia ciśnienia w systemie. Nie wolno pozostawiać systemu pod ciśnieniem. W razie potrzeby zmienić dyszę i kontynuować czyszczenie jak opisano wyżej. Do pełnego czyszczenia zaleca się kilka przebiegów przez przewód.

Po zakończeniu i wyłączeniu przepychacza zdjąć dyszę i otworzyć zawór wlotowy źródła w celu przepłukania pompy i węża. Używając przepychacza w niskich temperaturach, natychmiast spuścić wodę z systemu, aby zapobiec uszkodzeniu na skutek zamrożenia. Informacje dotyczące ochrony przed zamrożeniem podano w rozdziale *Przechowywanie urządzenia*.

### **Korzystanie z trybu pulsacyjnego**

Jeśli manipulowanie wężem nie wystarcza do przejścia przez miejsce zmiany kierunku rury lub przeszkodę, należy użyć trybu pulsacyjnego. Tryb pulsacyjny generuje zmiany ciśnienia wody, które powodują wibracje węża, ułatwiając dalsze wsuwanie węża.

1. Przekręcić włącznik trybu pulsacyjnego w prawo w położenie „Pulsacje”. W trybie pulsacyjnym wartości na wskaźniku ciśnienia będą niższe od ciśnienia maksymalnego. Jest to normalny objaw.



**Rysunek 16 – Położenie dźwigni włącznika trybu pulsacyjnego**



2. W razie potrzeby zastosować szarpnięcia i obroty węża do pokonania przeszkody.
3. Po przejściu przez przeszkodę przekręcić włącznik trybu pulsacyjnego w lewo w położenie „Ciśnienie”. Nie pozostawiać przepychacza w trybie pulsacyjnym dłużej niż jest to wymagane do przejścia przez przeszkodę. Nadmierne korzystanie z funkcji pulsacyjnej może doprowadzić do przedwczesnego zużycia węża i systemu.

### Używanie przepychacza wodnego jako myjki wysokociśnieniowej

Wodnych przepychaczy ciśnieniowych firmy RIDGID można również używać jako myjek wysokociśnieniowych wraz z zestawem do czyszczenia ciśnieniowego. Używanie urządzenia jako myjki nie odbiega od procedur użycia przepychacza. Oprócz tych procedur należy postępować według poniższych instrukcji:

1. Zlokalizować odpowiedni obszar roboczy.
2. Upewnić się, że przegląd urządzenia został prawidłowo przeprowadzony.
3. Założyć lancę myjącą na wąż do niej przeznaczony. Zawsze używać węża o ciśnieniu znamionowym co najmniej takim jak ciśnienie znamionowe przepychacza. Nałożyć szczeliwo na gwint, aby uniknąć wycieków.
4. Założyć wąż na wyjście przepychacza. Upewnić się, że końcówki węża są prawidłowo podłączone, aby nie rozłączyły się pod ciśnieniem.
5. Podłączyć do przepychacza odpowiednie źródło wody, jak to omówiono wyżej.
6. Otworzyć zawór wlotowy źródła i nacisnąć spust lancy myjącej w celu wypuszczenia całego powietrza z systemu. Nie wolno uruchamiać silnika bez otwartego źródła wody. W takim wypadku można uszkodzić pompę.
7. Upewnić się, że dźwignia włącznika trybu pulsacyjnego jest przekręcona w lewo w położenie „Ciśnienie”.
8. Regulacja lancy myjącej - obracając dyszę, można ustawić sposób mycia od strumienia do szerokiego rozpylania. Ustawianie ciśnienia - przesunięcie dyszy do przodu (niskie ciśnienie) lub do tyłu (wysokie ciśnienie). Upewnić się, że dysza została przesunięta do tyłu w położenie wysokiego ciśnienia i rozpocząć mycie.



Rysunek 17 – Regulacja dyszy lancy myjki

9. Blokada lancy myjącej - spust lancy myjącej w tylnej części posiada blokadę pracy. Przesunąć blokadę w dół, aby zablokować spust, kiedy lanca nie jest używana.
10. Z lancą skierowaną w bezpiecznym kierunku nacisnąć spust lancy w celu zmniejszenia ciśnienia i uruchomić silnik. Uruchomić silnik zgodnie z instrukcjami rozruchu podanymi w podręczniku obsługi silnika. Pozostawić silnik włączony do rozgrzania. Zwolnić spust natychmiast po rozruchu silnika.
11. Z lancą skierowaną w bezpiecznym kierunku nacisnąć spust lancy. Otworzyć zawór odciążający, sprawdzając wskaźnik ciśnienia w celu ustawieniażądanego ciśnienia. Nie przekraczać ciśnienia znamionowego maszyny. Zwolnić spust lancy myjącej.

### Obsługa myjki wysokociśnieniowej

1. Podczas wykorzystywania urządzenia jako myjki wysokociśnieniowej lancę myjącą trzymać i kierować ją obiema rękami, co zapewni lepszą kontrolę. Nie wolno kierować lancy myjącej na inne osoby. Ciecz pod wysokim ciśnieniem może dostać się pod skórę, prowadząc do ciężkich obrażeń. Nie wolno kierować lancy myjącej na sprzęt elektryczny lub okablowanie, aby uniknąć ryzyka porażenia elektrycznego.
2. Kontrolować przepływ wody za pomocą spustu. Obsługując myjkę wysokociśnieniową, zachowywać ostrożność. Trzymanie dyszy zbyt blisko powierzchni może ją uszkodzić. Sprawdzić na małej, neutralnej powierzchni, czy uzyskano pożądane ustawienia.
3. Nie pozostawiać uruchomionego przepychacza ze zwolnionym spustem przez długi okres czasu. Kiedy spust jest zwolniony, woda krąży w pompie w obiegu zamkniętym i nagrzewa się. Może to spowodować aktywowanie zabezpieczenia przed przeciążeniem termicznym pompy.
4. Po zakończeniu mycia pod ciśnieniem zwolnić spust i wyłączyć silnik zgodnie z wytycznymi w podręczniku obsługi silnika. Nacisnąć spust w celu opróżnienia ciśnienia w systemie. Nie wolno pozostawiać systemu pod ciśnieniem.

## Wtryskiwacz detergentu

1. W razie potrzeby założyć wtryskiwacz detergentu do gniazda wyjściowego. Zdjąć wąż wyjściowy i założyć wtryskiwacz detergentu ze strzałką skierowaną w kierunku przepływu wody. Nałożyć szczeliwo na gwint, aby uniknąć wycieków. Założyć ponownie wąż wyjściowy.
2. Założyć wąż syfonowy na wtryskiwacz detergentu. Umieścić końcówkę węża z filtrem siatkowym w zbiorniku detergentu. Stosować wyłącznie detergenty przeznaczone do użycia z myjkami wysokociśnieniowymi. Stosować się do instrukcji dotyczących detergentu. Nie rozpylać cieczy łatwopalnych ani toksycznych chemikaliów. Inne detergenty, rozpuszczalniki, środki czyszczące itp. mogą uszkodzić przepychacz lub spowodować poważne obrażenia.
3. Podczas mycia pod ciśnieniem detergenty są rozpylane tylko wtedy, gdy dysza lancy myjącej jest w położeniu niskiego ciśnienia. Przesunąć dyszę do przodu w położenie niskiego ciśnienia, aby rozpylić detergent.
4. Szybkość rozprowadzania detergentu można regulować podczas pracy, obracając tuleję na wtryskiwaczu detergentu. Przekręcenie w lewo zwiększa ilość detergentu, a w prawo zmniejsza.
5. Po rozprowadzeniu detergentu wyjąć filtr siatkowy z detergentu, włożyć do wiadra z czystą wodą, a z systemu wypłukać cały detergent.

## Instrukcje konserwacji

### ⚠ OSTRZEŻENIE

**Przed rozpoczęciem jakichkolwiek czynności konserwacyjnych wyłącznik silnika należy ustawić w położeniu wyłączenia OFF i odłączyć przewody świecy zapłonowej, aby uniknąć przypadkowego uruchomienia. Nacisnąć zawór nożny lub spust lancy w celu opróżnienia pozostałego ciśnienia płynu.**

**Podczas czynności konserwacyjnych zawsze należy nosić okulary i rękawice ochronne jako zabezpieczenie przed chemikaliami i bakteriami z odpływu.**

### Czyszczenie

Wąż należy czyścić w razie potrzeby gorącą wodą z mydłem i/lub środkami odkażającymi. Nie wolno dopuścić do dostania się wody do silnika lub układu elektrycznego. Nie wolno czyścić myjką wysokociśnieniową. Urządzenie wycierać wilgotną szmatką.

### Silnik

Silnik konserwować zgodnie z wytycznymi podręcznika obsługi silnika dołączonego do urządzenia.

## Smarowanie pompy

Przed użyciem sprawdzić poziom oleju w pompie. Ustawić przepychacz na równej powierzchni. Zetrzeć wszelkie zanieczyszczenia i pozostałości z obszaru prętowego wskaźnika poziomu i wyjąć wskaźnik - sprawdzić poziom oleju. W razie potrzeby uzupełnić olejem bez detergentu SAE 30W. Nie wolno przepełnić. Założyć ponownie wskaźnik poziomu.

Olej w pompie wymienić po pierwszych 50 godzinach pracy, a następnie co 500 godzin pracy. Po rozgrzaniu pracującej pompy wyjąć korek w dolnej części pompy i spuścić oleju do odpowiedniego zbiornika. Założyć korek. Wlać około 32 uncje / 0,9 kg oleju bez detergentów SAE 30W według procedury sprawdzania.

## Smarowanie skrzyni przekładniowej

Przed użyciem sprawdzić poziom oleju w skrzyni przekładniowej. Ustawić przepychacz na równej powierzchni. Zetrzeć wszelkie zanieczyszczenia i pozostałości z obszaru prętowego wskaźnika poziomu i wyjąć wskaźnik - sprawdzić poziom oleju. W razie potrzeby uzupełnić olejem SAE 90W. Nie wolno przepełnić. Założyć ponownie wskaźnik poziomu.

Olej w skrzyni przekładniowej zmieniać co 500 godzin pracy. Po rozgrzaniu pracującej skrzyni przekładniowej wyjąć korek w dolnej części skrzyni i spuścić oleju do odpowiedniego zbiornika. Założyć korek. Wlać około 8 uncje / 0,2 kg oleju przekładniowego SAE 90W według procedury sprawdzania.

## Przygotowanie pompy do przechowywania w niskich temperaturach

**NOTATKA** Jeśli przepychacz ma być przechowywany w temperaturze dochodzącej lub niższej od 32°F / 0°C, należy go właściwie do tego przygotować. Zamrożnięta woda w pompie może ją uszkodzić.

Wyróżnia się dwie metody przygotowania przepychacza do przechowywania w niskich temperaturach. Pierwsza polega na otwarciu wszystkich zaworów systemu i wypchnięciu całej wody z systemu za pomocą sprężonego powietrza. W ten sposób można również usunąć wodę z węży.

Druga metoda polega na użyciu środka przeciw zamrażaniu (środka bez glikolu etylenowego). W pompie przepychacza nie wolno stosować środka przeciw zamrażaniu na bazie glikolu etylenowego. Glikolu etylenowego nie można stosować w systemach odpływowych.

1. Założyć odcinek węża dł. 30 stóp / 90 cm na zawór wlotowy źródła i otworzyć zawór.

- Umieścić końcówkę węża w zbiorniku ze środkiem przeciw zamarzaniu RV.
- Zdjąć dyszę z końcówki węża.
- Uruchomić przepychacz i pozostawić działający, aż środek przeciw zamarzaniu zacznie wydostawać się z końcówki węża.

## Wyposażenie pomocnicze

### ⚠ OSTRZEŻENIE

Aby zmniejszyć ryzyko poważnych obrażeń, należy używać wyłącznie wyposażenia pomocniczego przeznaczonego i zalecanego do stosowania z przepychaczami wodnymi RIDGID, które podano się na poniższej liście. Użycie z z przepychaczami wodnymi RIDGID wyposażenia dodatkowego, które pasuje do innych narzędzi, może być niebezpieczne.

## Dysza i węże przepychacza KJ-2200

Nr katalogowy	Nr modelu	Opis	Średn. wewn. węża cal/mm	Średn. zewn. węża cal/mm
64772	H-61	Dysza kanałowa	$\frac{1}{8}$ cala / 3,2 mm NPT	
64777	H-62	Dysza penetrująca	Wąż $\frac{1}{4}$ cala / 6,4 mm	
64782	H-64	Dysza z głowicą przegubową		
82842	H-65	Dysza obrotowa 2200		
64787	H-71	Dysza kanałowa	$\frac{1}{4}$ cala / 6,4 mm NPT	
64792	H-72	Dysza penetrująca	Dopasowanie $\frac{1}{2}$ cala / 13 mm	
82852	H-75	Dysza obrotowa 2200		
47592	H-1425	$\frac{1}{4}$ " x 25 stóp / 6,4 mm x 7,6 m		$\frac{3}{16}$ / 4,8
47597	H-1435	$\frac{1}{4}$ " x 35 stóp / 6,4 mm x 10,7 m		$\frac{3}{16}$ / 4,8
47602	H-1450	$\frac{1}{4}$ cala x 50 stóp / 6,4 mm x 15,2 m	Wąż do syfonów $\frac{1}{4}$ cala / 6,4 mm	$\frac{3}{16}$ / 4,8
49272	H-1475	$\frac{1}{4}$ cala x 75 stóp / 6,4 mm x 22,9 m	Pomarańczowy	$\frac{3}{16}$ / 4,8
49277	H-1400	$\frac{1}{4}$ cala x 100 stóp / 6,4 mm x 30,5 m		$\frac{3}{16}$ / 4,8
64732	H-1415	$\frac{1}{4}$ cala x 150 stóp / 6,4 mm x 45,7 m		$\frac{3}{16}$ / 4,8
50002	HL-1	Elastyczna końcówka pilotowa, $\frac{1}{4}$ cala / 6,4 mm		$\frac{3}{16}$ / 4,8
50007	HL-2	Elastyczna końcówka pilotowa, $\frac{1}{2}$ cala / 13 mm		$\frac{3}{16}$ / 4,8
47607	H-1250	$\frac{1}{2}$ cala x 50 stóp / 13 mm x 15,2 m		$\frac{1}{4}$ / 6,4
47612	H-1275	$\frac{1}{2}$ cala x 75 stóp / 13 mm x 22,9 m		$\frac{1}{4}$ / 6,4
47617	H-1200	$\frac{1}{2}$ cala x 100 stóp / 13 mm x 30,5 m		$\frac{1}{4}$ / 6,4
51587	H-1211	$\frac{1}{2}$ cala x 110 stóp / 13 mm x 33,5 m	Wąż przep. $\frac{1}{2}$ cala / 13 mm	$\frac{1}{4}$ / 6,4
49487	H-1215	$\frac{1}{2}$ cala x 150 stóp / 13 mm x 45,7 m	Czarny	$\frac{1}{4}$ / 6,4
51597	H-1220	$\frac{1}{2}$ cala x 200 stóp / 13 mm x 61 m		$\frac{1}{4}$ / 6,4

## Wyposażenie dodatkowe przepychacza KJ-2200

Nr katalogowy	Nr modelu	Opis
62882	H-5	Bęben Mini (bez węża)
64737	H-30	Wózek z bębniem węża H-30
62877	H-30 WH	Wózek z bębniem węża H-30 i węzłem przepychacza 110 stóp / 33,5 m x $\frac{1}{2}$ cala / 13 mm
64077	HP-22	Zestaw do czyszczenia ciśnieniowego, KJ-2200
64767	HW-22	Lanca myjki, KJ-2200
51572	H-1235	Wąż lancy myjki $\frac{1}{2}$ cala / 13 mm x 35 stóp / 10,7 m
48157	FV-1	Zawór nożny
66732	HF-4	Wąż z szybkozłączką
48367	H-25	Zestaw ochrony przed mrozem
47542	H-21	Przyrząd do czyszczenia dysz
67187	H-32	Jet Vac

**Dysze i węże przepychacza KJ-3100**

Nr katalogowy	Nr modelu	Opis	Średn. wewn. węża cal/mm	Średn. zewn. węża cal/mm
38698	H-101	Dysza kanałowa	1/8 cala / 3,2 mm NPT	
38713	H-102	Dysza penetrująca	Wąż 1/4 cala / 6,4 mm	
38703	H-104	Dysza z głowicą przegubową		
38723	H-105	Dysza obrotowa	1/8 cala / 3,2 mm NPT	
38693	H-111	Dysza kanałowa	1/4 cala / 6,4 mm NPT	
38708	H-112	Dysza penetrująca	Wąż 3/8 cala / 9,5 mm	
38718	H-1155	Dysza obrotowa	1/4 cala / 6,4 mm NPT	
16713	RR3000	Głowica Root Ranger		
47592	H-1425	Wąż do syfonów	1/4 cala / 6,4 mm x 25 stóp / 7,6 m	3/16 / 4,8
47597	H-1435	Wąż do syfonów	1/4 cala / 6,4 mm x 35 stóp / 10,7 m	3/16 / 4,8
47602	H-1450	Wąż do syfonów	1/4 cala / 6,4 mm x 50 stóp / 15,2 m	3/16 / 4,8
49272	H-1475	Wąż do syfonów	1/4 cala / 6,4 mm x 75 stóp / 22,9 m	3/16 / 4,8
49277	H-1400	Wąż do syfonów	1/4 cala / 6,4 mm x 100 stóp / 30,5 m	3/16 / 4,8
64732	H-1415	Wąż do syfonów	1/4 cala / 6,4 mm x 150 stóp / 45,7 m	3/16 / 4,8
64827	H-3835	Wąż myjki	3/8 cala / 9,5 mm x 35 stóp / 10,7 m	3/8 / 9,5
64832	H-3850	Wąż przepych./myjki	3/8 cala / 9,5 mm śr.w. x 50 stóp / 15,2 m	3/8 / 9,5
64837	H-3810	Wąż przep.	3/8 cala / 9,5 mm śr.w. x 100 stóp / 30,5 m	3/8 / 9,5
64842	H-3815	Wąż przep.	3/8" / 9,5 mm śr.w. x 150 stóp / 45,7 m	3/8 / 9,5
64847	H-3820	Wąż przep.	3/8 cala / 9,5 mm śr.w. x 200 stóp / 61 m	3/8 / 9,5
64852	H-3825	Wąż przep.	3/8 cala / 9,5 mm śr.w. x 250 stóp / 76,2 m	3/8 / 9,5
64857	H-3830	Wąż przep.	3/8 cala / 9,5 mm śr.w. x 300 stóp / 91,4 m	3/8 / 9,5

**Wyposażenie dodatkowe przepychacza KJ-3100**

Nr katalogowy	Nr modelu	Opis
62882	H-5	Bęben Mini węża
64862	H-38	Bęben węża (Pasuje do KJ-3100)
64902	H-38 WH	Bęben węża z węzłem 200 stóp / 61 m x 3/8 cala / 9,5 mm śr. wewn. (Pasuje do KJ-3100)
64797	HW-30	Lanca myjki, KJ-3100
48367	H-25	Zestaw ochrony przed mrozem
48157	FV-1	Zawór nożny
66732	HF-4	Wąż z szybkozłączkami (połączenie bębna z zaworem nożnym)
47542	H-21	Przyrząd do czyszczenia dysz
67187	H-32	Jet Vac

**Przechowywanie urządzenia**

**▲ OSTRZEŻENIE** Przepychacz przechowywać w dobrze wietrzonym obszarze zabezpieczonym przed deszczem i śniegiem. Przechowywać maszynę na zamkniętym obszarze, poza zasięgiem dzieci i osób nie zaznajomionych z maszynami do czyszczenia odpływów. Ta maszyna może spowodować poważne obrażenia, jeśli znajdzie się w rękach nieprzeszkolonych użytkowników. Informacje dotyczące przechowywania w niskich temperaturach podano w *rozdziale Konserwacja*. Informacje dotyczące przechowywania silnika podano w podręczniku obsługi silnika.

**Serwis i naprawa**

**▲ OSTRZEŻENIE**  
**Nieprawidłowe serwisowanie i naprawa mogą spowodować, że maszyna będzie niebezpieczna w obsłudze.**

„Instrukcje konserwacji” wyczerpują większość potrzeb serwisowania tego urządzenia. Rozwiązanie wszelkich problemów, które nie zostały ujęte w tej części, należy powierzyć autoryzowanym technikom serwisu firmy RIDGID.

Narzędzie powinno być przekazane do Niezależnego autoryzowanego centrum serwisowego RIDGID lub zwrócone do producenta.

Aby uzyskać informacje na temat najbliższego niezależnego centrum serwisowego RIDGID lub wszelkich kwestii dotyczących serwisowania lub naprawy, należy:

- skontaktować się z lokalnym dystrybutorem firmy RIDGID.
- odwiedzić stronę [www.RIDGID.com](http://www.RIDGID.com) lub [www.RIDGID.eu](http://www.RIDGID.eu) w celu znalezienia lokalnego punktu kontaktowego RIDGID.
- skontaktować się z Działem serwisowym RIDGID pod adresem [rttechservices@emerson.com](mailto:rttechservices@emerson.com) lub w USA i Kanadzie zadzwonić na numer (800) 519-3456.

**Utylizacja**

Części przepychacza wodnego zawierają wartościowe materiały i mogą być poddawane recyklingowi. Lokalnie można znaleźć firmy specjalizujące się w recyklingu. Zutyliżować wszystkie części zgodnie z wszystkimi stosownymi przepisami. W celu uzyskania dalszych informacji należy skontaktować się z lokalnymi władzami odpowiedzialnymi za gospodarkę odpadami.





**W krajach UE:** Nie utylizować urządzeń elektrycznych wraz z odpadami z gospodarstwa domowego!

Zgodnie z Dyrektywą europejską 2002/-96/-WE dotyczącymi odpadów elektrycznych i elektro-  
nicznych i ich wdrożeniem do prawodawstwa krajowego, urządzenia elektryczne, które nie są już używane muszą być odbierane oddzielnie i utylizowane w sposób przyjazny dla środowiska.

## Rozwiązywanie problemów

PROBLEM	PRZYCZYNA	ROZWIĄZANIE
Przepychacz działa, ale generuje słabe ciśnienie lub żadnego.	Nieodpowiednie źródło wody.	Upewnić się, że kran źródła wody jest <b>odkręcony</b> . Upewnić się, że zawór wlotowy źródła wody przepychacza jest <b>otwarty</b> . Upewnić się, że wąż źródła wody nie jest zapchany, zagięty lub przygnieciony,
Przepychacz nie uzyskuje pełnego ciśnienia roboczego przy rozruchu.	W systemie znajduje się powietrze. Zablokowane są strumienie dyszy.	Zdjąć dyszę z węża przepychacza i uruchomić przepychacz w celu usunięcia powietrza/pozostałości z systemu. Zdjąć dyszę i oczyścić otwory przyrządem do czyszczenia dysz.
Wskaźnik ciśnienia przepychacza pokazuje zakres wartości od 500 do wartości pełnego ciśnienia roboczego.	Zablokowane są strumienie dyszy. Pozostałości lub powietrze uwięzione w systemie.	Zdjąć dyszę. Za pomocą przyrządu do czyszczenia dyszy oczyścić otwory dyszy. Należy wybrać odpowiednią wielkość drutu i przepchnąć całkowicie przez każdy otwór w celu usunięcia pozostałości. Zdjąć dyszę i włożyć wąż przepychacza do odpływu. Uruchomić przepychacz w celu wypłukania uwięzionego powietrza lub pozostałości.



# Tlaková vodní čistička

## KJ-2200/KJ-3100 Tlakové vodní čističky



KJ-3100



KJ-2200

### ⚠ VAROVÁNÍ!

Před používáním tohoto nástroje si pečlivě přečtete tento návod k obsluze. Nepochopení a nedodržení obsahu tohoto návodu může vést k úrazu elektrickým proudem, vzniku požáru nebo k závažné újmě na zdraví.

### KJ-2200/KJ-3100 Tlakové vodní čističky

Do níže uvedeného políčka si запиšte výrobní sériové číslo uvedené na typovém štítku.

Sériové č.

--

## Obsah

<b>Záznamový formulář sériového čísla stroje</b> .....	245
<b>Bezpečnostní symboly</b> .....	247
<b>Všeobecné bezpečnostní předpisy</b> .....	247
Bezpečnost na pracovišti .....	247
Elektrobezpečnost .....	247
Osobní bezpečnost .....	247
Používání a péče o nástroj .....	248
Servis .....	248
<b>Varování ohledně tlakových vodních čističek</b> .....	248
<b>Popis, specifikace a standardní vybavení</b> .....	249
Popis .....	249
Specifikace .....	250
Ikony .....	250
Standardní vybavení .....	250
<b>Montáž nástroje</b> .....	250
Motorový olej .....	250
Olej čerpadla/převodovky .....	250
Přepravní vozík KJ-2200 .....	251
KJ-3100 Sestava držadel .....	251
<b>Kontrola před zahájením práce</b> .....	251
<b>Příprava nástroje a pracoviště</b> .....	253
Přívod vody .....	254
Příprava odpadu či kanálu .....	254
TABULKA VÝBĚRU TLAKOVÉ HADICE .....	256
TAUBLKA VÝBĚRU TLAKOVÉ TRYSKY .....	256
<b>Návod k obsluze</b> .....	257
Tlakové čištění odpadu .....	258
Použití pulzního režimu .....	259
Použití tlakové vodní čističky k vnějšímu tlakovému mytí .....	260
Obsluha tlakového mytí .....	260
Vstříkování mycího prostředku .....	261
<b>Návod k údržbě</b> .....	261
Čištění .....	261
Motor .....	261
Mazání čerpadla .....	261
Mazání převodovky .....	261
Příprava čerpadla pro zimní uskladnění .....	261
<b>Příslušenství</b> .....	262
<b>Uskladnění přístroje</b> .....	263
<b>Servis a opravy</b> .....	263
<b>Likvidace</b> .....	263
<b>Řešení problémů</b> .....	264
<b>Záruka po dobu životnosti</b> .....	Zadní strana obálky

\* Překlad původního návodu k používání



## Bezpečnostní symboly

V tomto návodu k obsluze a na výrobku jsou použity bezpečnostní symboly a signální slova, která sdělují důležité informace týkající se bezpečnosti. Úlohou tohoto oddílu je snaha o lepší porozumění těmto signálním slovům a symbolům.



Toto je výstražný bezpečnostní symbol. Je používán pro to, aby vás upozornil na možné nebezpečí poranění osob. Dodržujte všechna upozornění týkající se bezpečnosti, na která tento symbol upozorňuje, abyste se vyvarovali možného poranění nebo usmrcení.

**▲ VÝSTRAHA** VÝSTRAHA označuje nebezpečnou situaci, která - kdyby nastala - by mohla mít za následek smrt nebo vážný úraz.

**▲ VAROVÁNÍ** VAROVÁNÍ označuje nebezpečnou situaci, následkem které může dojít k usmrcení nebo vážnému zranění, pokud se jí nevyvarujete.

**▲ UPOZORNĚNÍ** UPOZORNĚNÍ označuje nebezpečnou situaci, která - kdyby nastala - by mohla mít za následek menší nebo lehký úraz.

**POZNÁMKA** POZNÁMKA uvádí informace týkající se ochrany majetku.



Tento symbol znamená, že si před prací s tímto zařízením musíte pečlivě pročíst návod k obsluze, abyste snížili nebezpečí poranění. Návod k použití obsahuje důležité informace o bezpečné a správné obsluze zařízení.



Tento symbol znamená, že při manipulaci se zařízením nebo jeho používání je vždy třeba mít nasazené ochranné brýle s postranními kryty, aby se snížilo riziko poranění očí.



Tento symbol znamená, že zde existuje riziko proudu vody pod vysokým tlakem namířeného na části těla, který může vniknout pod kůži a způsobit zranění vstříkem kapaliny.



Tento symbol znamená, že zde existuje riziko šlehání hadice, které může způsobit zranění nárazem nebo vstříkem kapaliny.



Tento symbol znamená, že zde existuje riziko vdechnutí oxidu uhelnatého, které může způsobit nevolnost, mdloby či smrt.



Tento symbol znamená, že zde existuje riziko požáru či výbuchu benzínu nebo jiných zdrojů způsobujících popáleniny či jiná zranění.

## Všeobecné bezpečnostní předpisy

### ▲ VAROVÁNÍ

**Přečtěte si všechny pokyny a ujistěte se, že jim rozumíte. Nedodržení všech níže uvedených pokynů může mít za následek úraz elektrickým proudem, vznik požáru nebo závažnou újmu na zdraví.**

#### TYTO POKYNY SI ULOŽTE!

### Bezpečnost na pracovišti

- **Udržujte pracoviště čisté a dobře osvětlené.** Temná pracoviště nebo pracovní stoly plné nepořádku jsou zdrojem nehod.
- **Nepoužívejte elektrický nástroj ve výbušném prostředí, například v přítomnosti hořlavých kapalin, plynů nebo prachu.** Elektrický nástroj jiskří a jiskry mohou zapálit prach nebo výpary.
- **Při obsluze nástroje se nesmí v okolí nacházet stojící osoby, děti či návštěvníci.** Rozptylování může vést ke ztrátě vaší pozornosti.

### Elektrobezpečnost

- **Zabraňte tělesnému kontaktu s uzemněnými povrchy, např. trubkami, radiátory, sporáky a chlad-**

**ničkami.** Je zde zvýšené riziko úrazu elektrickým proudem, je-li vaše tělo uzemněno.

### Osobní bezpečnost

- **Buďte pozorní, dávejte pozor na to, co děláte, a používejte při práci s elektrickým nástrojem zdravý rozum. Nástroj nepoužívejte, když jste unaveni nebo pod vlivem drog, alkoholu nebo léků.** Chvilce nepozornosti při práci s elektrickým nástrojem může vést k vážnému osobnímu zranění.
- **Správně se oblékejte. Nenoste volný oděv nebo přívěsky. Zajistěte dlouhé vlasy. Udržujte své vlasy, oděv a rukavice v dostatečné vzdálenosti od pohyblivých součástí.** Volný oděv, přívěsky nebo dlouhé vlasy mohou být otáčejícími se součástmi zachyceny.
- **Nezacházejte příliš daleko. Vždy mějte vhodnou oporu pod nohy a rovnováhu.** Stabilní postoj a rovnováha zajistí lepší kontrolu nad nástrojem v neočekávaných situacích.
- **Používejte bezpečnostní vybavení. Vždy noste ochranu očí.** Protiprachová maska, neklouzavá bezpečnostní obuv, ochranná přilba nebo ochrana sluchu používaná v příslušných podmínkách snižuje počet osobních zranění.

## Používání a péče o nástroj

- **Nástroj nepřetěžujte. Pro daný účel použijte správný nástroj.** Správný nástroj vám poslouží lépe a bezpečněji, pokud je použit takovým způsobem, ke kterému byl navržen.
- **Elektrické nástroje nepoužívejte, když je spínač NEZAPÍNÁ nebo NEVYPÍNÁ.** Každý nástroj, který nelze ovládat spínačem, je nebezpečný a musí být opraven.
- **Nástroje, které nepoužíváte, skladujte mimo dosah dětí a neproškolených osob.** Nástroje jsou v rukou neproškolených uživatelů nebezpečné.
- **Nástroje pečlivě udržujte. Řezací nástroje musejí být ostré a čisté.** Řádně udržované nástroje s ostrými břity jsou méně náchylné k zadření a jdou snadněji ovládat.
- **Zkontrolujte správné seřízení nebo připojení pohyblivých částí, poškození částí a jakékoliv jiné podmínky, které mohou mít dopad na provozování elektrického nástroje. Pokud dojde k poškození nástroje, nechte jej opravit, než ho znovu použijete.** Mnoho nehod je způsobeno nástroji, které nebyly řádně udržovány.
- **Používejte pouze příslušenství doporučené výrobcem k vašemu modelu.** Příslušenství, které může být vhodné pro jeden nástroj se může stát při použití s jiným nebezpečným.

## Servis

- **Servis nástroje smí provádět pouze kvalifikovaný opravář.** Servis či údržba prováděné nekvalifikovanou osobou mohou mít za následek úraz.
- **Při provádění servisu nástroje používejte pouze stejné náhradní díly. Dodržujte pokyny uvedené v části Údržba v tomto návodu.** Použití nepovolených součástí nebo nedodržení Návodu k údržbě může mít za následek úraz elektrickým proudem nebo jiný úraz.

## Varování ohledně tlakových vodních čističek

### ▲ VAROVÁNÍ

Tento odstavec obsahuje důležité bezpečnostní informace specifické pro tento nástroj.

Pečlivě si přečtěte tyto pokyny před použitím nástroje na čištění odpadů a kanálů, abyste snížili nebezpečí úrazu elektrickým proudem nebo vážného úrazu.

### USCHOVEJTE VŠECHNA VAROVÁNÍ A POKYNY PRO POZDĚJŠÍ POUŽITÍ!

Tento návod mějte uložen u zařízení, aby ho měla obsluha po ruce.

- **Tlakovou vodní čističku nikdy neprovodíte s koncem hadice mimo odpadní potrubí.** Hadice může šlehnout, a způsobit tak úraz nárazem nebo proudem vody, který může proniknout pokožkou a způsobit vážné poranění.
- **Může dojít k vstřiku vody pod vysokým tlakem pod kůži s následkem vážného poranění včetně amputace.** Proudem vody nemiřte na osoby nebo zvířata.
- **Tlakovou čističku neprovodíte při vyšším než jmenovitém tlaku nebo vyšší teplotě než 140°F / 60°C (teplota vody na vstupu).** Zvyšuje se tak nebezpečí úrazu, včetně popálení, a poškození tlakové čističky.
- **Proces tlakového čištění a nožní spínač musí obsluhovat stejná osoba. Vždy používejte nožní spínač.** Pokud se tlaková hadice dostane z odpadu, obsluha musí být schopná zavřít přívod vody, aby tak snížila riziko šlehaní hadice, které může způsobit zranění nárazem nebo vysokotlakým průnikem.
- **Při manipulaci a používání zařízení na čištění odpadů a kanálů používejte vhodné osobní ochranné prostředky.** V kanálech se mohou vyskytovat chemikálie, bakterie a jiné látky, které mohou být toxické, infekční, mohou způsobovat popáleniny nebo jiné potíže. Osobní ochranné prostředky musí vždy zahrnovat bezpečnostní brýle a ochranné rukavice, a dále mohou zahrnovat další prostředky, např. latexové nebo gumové rukavice, obličejové ochranné štíty, ochranné brýle, ochranný oděv, dýchací přístroje a obuv s ocelovou podrážkou.
- **Dodržujte zásady hygieny. Po manipulaci se zařízením pro čištění odpadů a kanálů nebo jeho použití použijte horkou, mýdlovou vodu k omytí rukou a dalších obnažených částí těla vystavených obsahu kanálu.** Při práci nebo manipulaci se zařízením pro čištění kanálů nejezte a nekuřte. Pomůže to zabránit kontaminaci toxickým nebo infekčním materiálem.
- **Nestříkejte toxické nebo hořlavé kapaliny.** Snížíte tak riziko popálení, požáru, výbuchu nebo jiného poranění.
- **Benzín a jeho výpary jsou vysoce hořlavé a výbušné.** Opatření ke snížení rizika popálení, výbuchu a vážných zranění při manipulaci a použití benzínu viz návod k obsluze motoru.
- **Motory produkují bezbarvý a jedovatý oxid uhelnatý. Dýchání oxidu uhelnatého může způsobit nevolnost, mdloby nebo smrt.** Motor nestartujte či nenechávejte běžet v uzavřených prostorech, i když jsou otevřená okna a dveře. Používejte jej pouze venku.

- **Horké plochy mohou způsobit popáleniny či požár.** Udržujte části těla a hořlavé materiály mimo horké plochy.
- **Před použitím si pozorně přečtěte tento návod, návod k obsluze motoru a varování a pokyny k obsluze veškerého vybavení, které používáte s tímto nástrojem, a ujistěte, že jim rozumíte.** Nedodržování všech těchto pokynů a varování může mít za následek škody na majetku nebo vážná zranění osob.

Prohlášení o shodě ES (890-011-320.10) bude v případě potřeby součástí této příručky jako zvláštní brožura.

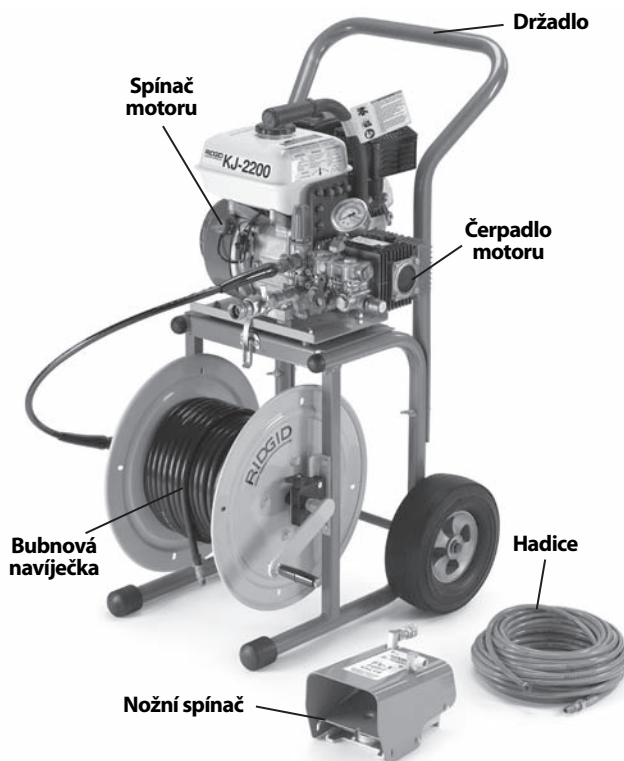
Pokud máte nějaké dotazy týkající se tohoto výrobku RIDGID®:

- Spojte se s místním obchodním zástupcem pro výrobky RIDGID.
- Navštivte [www.RIDGID.com](http://www.RIDGID.com) nebo [www.RIDGID.eu](http://www.RIDGID.eu) a vyhledejte místní kontaktní místo pro výrobky RIDGID.
- Kontaktujte technické oddělení pro výrobky RIDGID na [rtctechservices@emerson.com](mailto:rtctechservices@emerson.com) nebo v USA a Kanadě zavolejte na číslo (800) 519-3456.

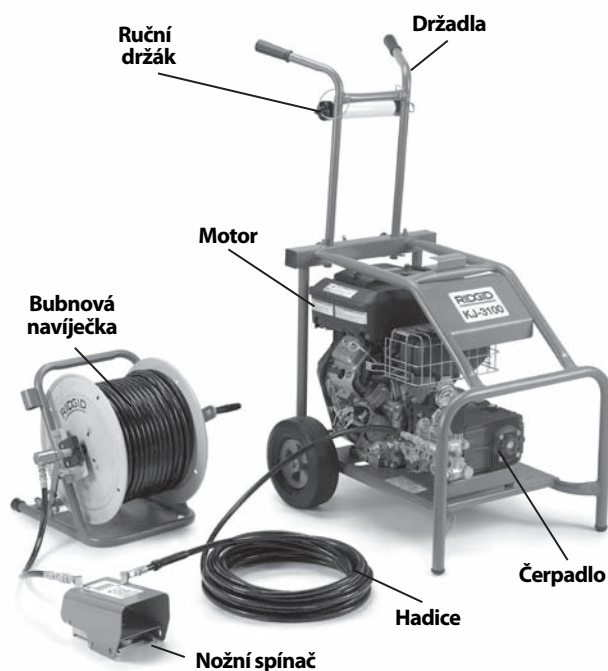
## Popis, specifikace a standardní vybavení

### Popis

Benzinové tlakové vodní čističky RIDGID® jsou přenosné vysokotlaké vodní čističky určené k odstraňování mastnoty, kalů, usazenin a kořenů z odpadového potrubí či kanálů pomocí vysokotlakého proudu vody. Velmi ohebná a lehká hadice je hnána skrze odpadové potrubí pomocí zpětných tryskových otvorů na vysokotlaké čisticí trysce, která při zpětném tažení čistí potrubí a odplavuje nečistoty. Při zapnutí pulzní aktivaci snadněji překonává ostré oblouky a překážky. Všechny nástroje jsou vybaveny benzínovým motorem, který pohání tříválcové pístové čerpadlo.



Obrázek 1 – KJ-2200 Tlaková vodní čistička



Obrázek 2 – KJ-3100 Tlaková vodní čistička


**Obrázek 3 – Sériové číslo stroje**

Sériové číslo nástroje je umístěno na rámu. Poslední 4 číslice udávají měsíc a rok výroby. (08 = měsíc, 10 = rok).

## Specifikace

Model tlakové čističky	Motor H.P.	Tlak psi / bar
KJ-2200	6.5 / 6,5	2200 / 150
KJ-3100	16	3000 / 205
Průtok galonů za minutu / litry	Průměr odpadního potrubí palce / mm	Hmotnost (bez bubnové navíječky) libry / kg
2.4 / 9	1 1/4 - 6 / 32 - 152	65 / 30
5.5 / 20	2 - 10 / 50 - 250	262 / 119

## Ikony



## Standardní vybavení

Všechny tlakové čističky zahrnují

- Příslušné tlakové čisticí trysky
- Nástroj na čištění trysek
- Nožní ventilový spínač FV-1
- Návod k obsluze motoru

Pro specifické vybavení dodávané spolu s každým katalogovým číslem viz katalog výrobků RIDGID.

**POZNÁMKA** Tento nástroj je určen k čištění odpadů. Když je správně používán, nepoškodí odpad, který je v dobrém stavu, správně konstruovaný a udržovaný. Když je odpad ve špatném stavu nebo nebyl správně konstruován, vyroben a udržován, postup čištění odpadu nemusí být úspěšný nebo může mít za následek jeho poškození. Nejlepší způsob zjištění stavu odpadu před čištěním je provedení vizuální kontroly kamerou.

Nevhodné použití tohoto nástroje na čištění odpadů může nástroj a odpad poškodit. Nástroj nemusí vyčistit všechna ucpaná místa.

## Montáž nástroje

### ⚠ VAROVÁNÍ

**Vážným zraněním během používání a poškození nástroje zabráníte dodržováním těchto postupů správné montáže.**

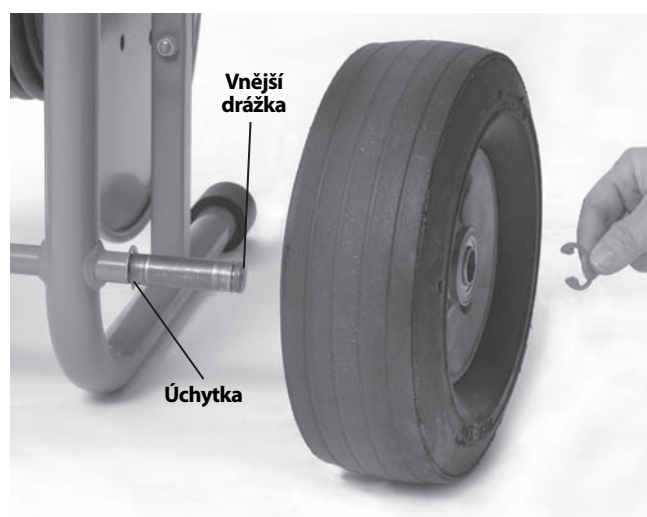
### Motorový olej

**POZNÁMKA** Tlaková čistička se dodává bez oleje v motoru. Používání motoru bez oleje má za následek závadu motoru. Před spuštěním motoru doplňte olej. Specifické informace o doplňování a volbě oleje viz příložený návod k obsluze motoru.

### Olej čerpadla/převodovky

**Čerpadlo:** Odstraňte zátku na horní straně čerpadla a měрку/odvzdušňovací zátku. Používání tlakové čističky se zátkou by mohlo vést k poškození těsnění čerpadla. Zkontrolujte hladinu oleje dle *postupu v části Návod pro údržbu*.

**Převodovka (pouze u modelu KJ-3100):** Odstraňte zátku na horní straně čerpadla a měрку/odvzdušňovací zátku. Používání tlakové čističky se zátkou by mohlo vést k poškození těsnění převodovky. Zkontrolujte stav maziva dle *postupu v části Návod pro údržbu*.


**Obrázek 4 – Sestava KJ-2200**

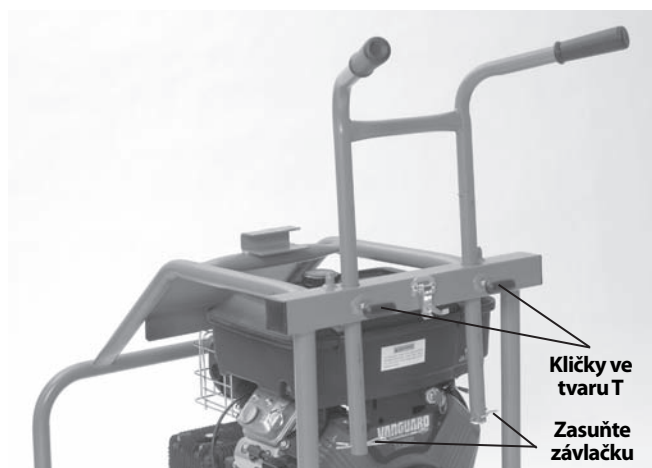
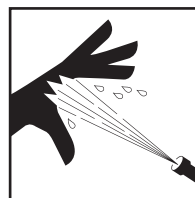


**Přepavní vozík KJ-2200**

1. Nainstalujte úchytku do vnitřní drážky na každém konci osy. (Viz Obrázek 4.)
2. Na každý konec osy nasuňte kolo.
3. Nainstalujte úchytku do vnitřní drážky na každém konci osy a kola zajistěte.
4. Pomocí dodávaných vratových šroubů a křídlových matic připojte k rámu držadla.
5. Zvedněte sestavu motoru/čerpadla na vozík a vyrovnejte otvory na základovém plechu pomocí kolíků na horní straně vozíku. Pomocí západek na vozíku motor/čerpadlo zajistěte. Ujistěte se, že je celá sestava bezpečně připevněna.

**KJ-3100 Sestava držadel**

1. Držadla prostrčte skrze dva otvory na zadním příčnicku rámu. (Viz Obrázek 5.)
2. Skrze otvory na spodní straně držadel prostrčte závlačku, která zabrání vytažení držadel.
3. Na zadní příčník našroubujte klíčky ve tvaru T. Držadla nastavte dle potřeby a zajistěte je utažením těchto klíčků.

**Obrázek 5 – Sestava držadla KJ-3100****Kontrola před zahájením práce****⚠ VAROVÁNÍ**

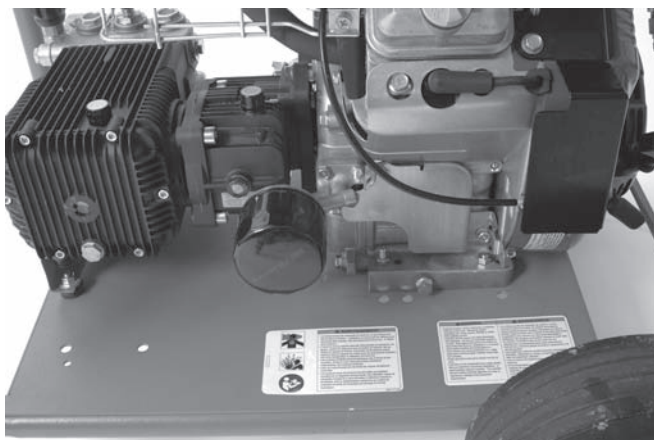
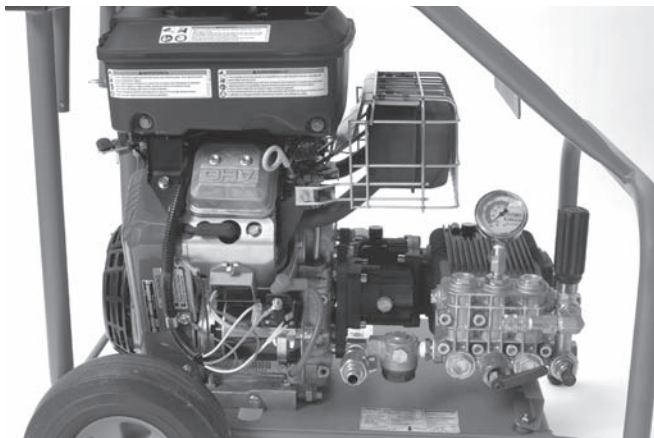
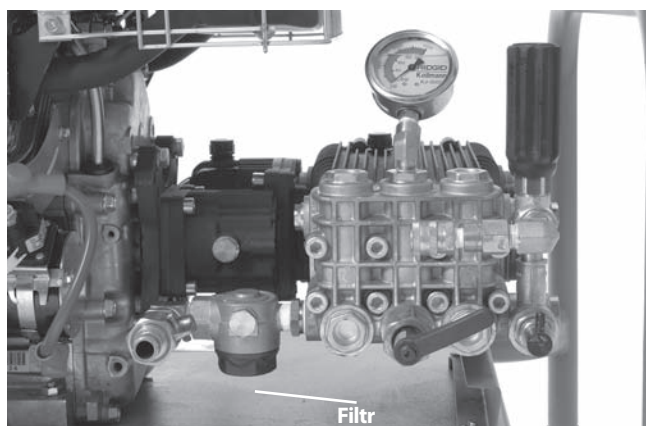
**Před každým použitím tlakovou vodní čističku zkontrolujte a vyřešte veškeré problémy, abyste snížili nebezpečí vážného úrazu vysokotlakým proudem vody či způsobeného jinými příčinami a zabránili poškození tlakové čističky.**

**Při prohlídce tlakové čističky vždy používejte ochranné brýle, rukavice a další vhodné ochranné prostředky, abyste se chránili proti chemikáliím a bakteriím přítomným na nástroji.**

1. Ujistěte se, že je spínač/klíč motoru v poloze VYPNUTO.
2. Z nástroje, včetně držadel a ovládacích prvků, odstraňte veškeré stopy oleje, maziva či nečistot. Pomůže to provádění kontroly a napomůže zabránit tomu, aby vám nástroj nebo ovládání vyklouzlo z rukou.
3. U tlakové čističky a příslušenství zkontrolujte následující:
  - Správnou montáž a úplnost.
  - Poškozené, opotřebené, chybějící, nesouosé nebo vážnoucí části.
  - Přítomnost a čitelnost výstražných štítků. (Viz Obrázek 6.)
  - Jakékoli ostatní podmínky, které mohou zabránit bezpečné a normální práci.

Pokud zjistíte jakékoli potíže, tlakovou čističku nepoužívejte, dokud potíže neodstraníte.

**Obrázek 6A – Výstražné štítky modelu KJ-2200**


**Obrázek 6B – Výstražné štítky modelu KJ-2200**

**Obrázek 6C – Výstražné štítky modelu KJ-3100**

**Obrázek 6D – Výstražné štítky modelu KJ-3100**

**Obrázek 7 – Přívodní filtr/podložka filtru**

5. Zkontrolujte hrdla tlakových trysek, zda nejsou poškozená nebo ucpaná. Ucpaná místa lze vyčistit pomocí nástroje na čištění trysek. Při čištění buďte opatrní, abyste hrdla trysek nezvětšili. Poškozené trysky nebo trysky se zvětšenými hrdly mohou snižovat výkon tlakové čističky a měly by být vyměněny.
6. Zkontrolujte hadice, spojky a fitinky, zda nenesou známky opotřebení nebo poškození. Pokud jsou ohnuté, prasklé, poškozené, horní plášť hadice je naskrz opotřebovaný nebo nesou jiné známky poškození, hadice nepoužívejte. Poškozené hadice mohou prasknout nebo u nich může dojít k úniku vody pod vysokým tlakem a následnému vážnému zranění. Náhradní hadice či fitinky by měly být konstruovány pro stejný nebo vyšší tlak, než je provozní tlak tlakové čističky.
7. Kontroly a údržbu motoru provádějte v souladu s návodem k jeho obsluze.
8. Zkontrolujte hladinu paliva motoru. U modelu KJ-3100 odpojte západku bubnové navíječky hadice a navíječkou otáčejte směrem dopředu, dokud se neusadí na rámu, a uvolní tak přístup k palivovému víčku motoru - viz *Obrázek 8*. V případě potřeby doplňte bezolovnatý benzín. Podrobnosti viz návod k obsluze motoru. Při manipulaci s benzínem buďte opatrní. Doplnování paliva provádějte v dobře větraných prostorách. Nádrž nepřepĺňujte a vyvarujte se rozlití paliva. Ujistěte se, že je palivové víčko bezpečně zavřeno.

4. Vyčistěte přívodní filtr/podložku filtru. Pro čištění odšroubujte kryt ze spodní části přívodního filtru. Nečistoty a nánosy mohou omezovat přítok vody do čerpadla a způsobovat tak problémy s výkonem.



Obrázek 8 – Přístup k palivové nádrži u modelu KJ-3100

9. Zkontrolujte hladinu oleje čerpadla a převodovky (je-li u modelu) a v případě potřeby jej doplňte (viz část *Návod k údržbě*).

## Příprava nástroje a pracoviště

### ▲ VAROVÁNÍ



**Při přípravě tlakové čističky vždy používejte ochranné brýle, rukavice a další vhodné ochranné prostředky, abyste se chránili proti chemikáliím a bakteriím přítomným na nástroji. Obuv s gumovou, neklouzávou podrážkou pomůže zabránit uklouznutí na mokřích površích.**

**Motory produkují bezbarvý a jedovatý oxid uhelnatý. Dýchání oxidu uhelnatého může způsobit nevolnost, mdloby nebo smrt. Motor nestartujte či nenechávejte běžet v uzavřených prostorech, i když jsou otevřená okna a dveře. Používejte jej pouze venku.**

**Tlakovou čističku a pracovní oblast připravte podle následujících postupů, abyste snížili nebezpečí úrazu vysokotlakým proudem vody, popálení chemikáliemi, infekcí, otravě oxidem uhelnatým a dalších nehod a zabránili poškození tlakové čističky.**

- Zkontrolujte, zda je v místě:
  - Přiměřené osvětlení.
  - Žádné hořlavé kapaliny, páry nebo prach, které by se mohly vznítit. Pokud jsou přítomny, v oblasti nepracujte, dokud nebudou určeny a odstraněny jejich zdroje. Tlaková čistička není bezpečná proti výbuchu a může vytvářet jiskry.
  - K dispozici volný, rovný, stabilní a suchý prostor jak pro zařízení tak pro obsluhu. V případě potřeby odstraňte vodu z pracovní oblasti. Dřevěné nebo jiné kryty musí být složeny.
  - Dobře větrané místo pro tlakovou čističku, které se nachází venku. Tlakovou čističku neumísťujte dovnitř, i když jsou otevřená okna a dveře. Tlakovou čističku lze umístit vzdáleně od místa jejího použití.
  - Vhodný přívod vody.
  - Volná cesta k přepravě tlakové čističky na místo jejího použití.
- Zkontrolujte odpad, který máte vyčistit. Pokud to jde, určete přístupový bod (přístupové body) k odpadu, průměry a délky odpadu, vzdálenost k nádržím či hlavnímu potrubí, povahu ucpaného místa, přítomnost chemikálií pro čištění odpadů, ostatních chemikálií, apod. Pokud jsou v odpadu přítomny chemikálie, je důležité porozumět speciálním bezpečnostním opatřením pro práci v blízkosti daných chemikálií. Požadované informace získáte od výrobce chemikálií.
 

Pokud je to třeba odmontujte armatury (záchodové mísy, apod.), aby byl k odpadu přístup. Nesuňte hadici skrze armatury. Mohlo by dojít k poškození hadice a armatury.
- Určete správné zařízení pro daný účel. Informace o těchto tlakových čističkách viz část *Technické údaje*. Čističe odpadů a tlakové čističky pro jiné aplikace naleznete v on-line katalogu společnosti RIDGID na adrese [www.RIDGID.com](http://www.RIDGID.com) nebo [www.RIDGID.eu](http://www.RIDGID.eu).
- Ujistěte se, že veškeré vybavení bylo patřičně zkontrolováno.
- Vyhodnoťte pracoviště a určete, zda není nutné použít zábrany pro udržení okolostojících osob v bezpečné vzdálenosti. Okolostojící lidé mohou obsluhu rušit při práci. Pokud pracujete poblíž silnice, rozmístěte výstražné kužely nebo jiné zábrany, abyste upozornili řidiče.
- Pokud je to třeba, umístěte na pracovišti ochranné zakrytí. Při čištění odpadů může vznikat nepořádek.
- Tlakovou čističku přemísťte na dobře ventilované venkovní místo podél volné cesty. Pokud je třeba



ba zařízení zvednout, použijte vhodné techniky zvedání. Při přepravě zařízení po schodech buďte opatrní a dávejte pozor na možná rizika uklouznutí. Noste vhodnou protiskluzovou obuv.

### Přívod vody

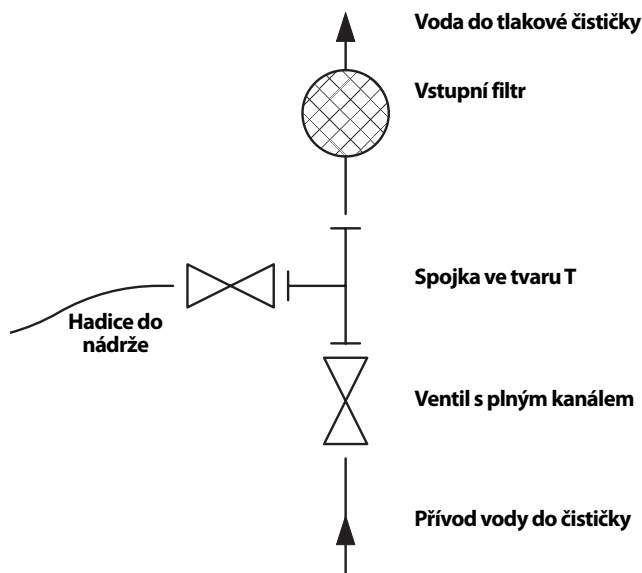
Ujistěte se, že je pro tlakovou čističku k dispozici dostatečný tlak vody. Pomocí hadice připojte přívod vody k tlakové čističce. Použijte co nejkratší hadici o co největším průměru. Minimální doporučený vnitřní průměr hadice je  $3/4''$  / 19 mm. V souladu s místními vyhláškami a zákony by mělo být použito vhodné zařízení bránící zpětnému toku vody. Otevřete přívod vody a změřte, jak dlouho trvá naplnění pětigalonového (cca 5 galonů / 18,9 litrů) kbelíku. *Maximální doby plnění kbelíku pro každou tlakovou čističku viz následující tabulka.*

Tlaková čistička	Výkon galonů za minutu / litry	Maximální doba plnění nádoby o objemu 5 galonů / 18,9 litrů
KJ-2200	2.4 / 9	<125 sekund
KJ-3100	5.5 / 20	<55 sekund

Nedostatečný přívod vody bude bránit tlakové čističce v dosažení jmenovitého tlaku mohl by poškodit čerpadlo. Zkontrolujte, zda voda v kbelíku neobsahuje nečistoty nebo usazeniny. Nečistoty a usazeniny v přiváděné vodě mohou způsobit nadměrné opotřebení čerpadla, ucpat filtry tlakových trysek a snižovat celkový výkon. Nepoužívejte vodu z rybníků, jezírek či ostatních potenciálně kontaminovaných zdrojů.

V případě nedostatečného průtoku vody je možné použití několika přívodních hadic připojených k tlakové čističce nebo použití nádrže.

V případě použití nádrže na vstup vody tlakové čističky připojte spojku ve tvaru T s ventily s plnými kanály dle Obrázku 9. K výstupnímu ventilu spojky ve tvaru T připojte hadici o průměru  $3/4''$  / 19 mm, která není delší než 6 stop / 1,8 m, přívod vody připojte k průchozímu kanálu spojky. Konec hadice buď vložte do nádrže nebo jej připojte k jejímu výstupu vody. Hadice k nádrži by po celé své délce neměla být umístěna více než o 5" / 12,7 cm výše než vstup vody tlakové čističky, jinak nebude čistička moci čerpat vodu z nádrže.



Obrázek 9 – Připojení přívodu vody při použití nádrže

Nádrž před spuštěním tlakové čističky naplňte vodou. Při spuštění tlakové čističky zavřete ventil nádrže. Jakmile tlaková čistička běží, ventil otevřete. Sledujte hladinu vody v nádrži a v případě potřeby tlakovou čističku zastavte a nechte nádrž doplnit. Nenechte hladinu vody v nádrži klesnout pod úroveň konce hadice.

Výsledky čištění lze zlepšit použitím horké vody. Nepoužívejte vodu o teplotě vyšší než 140°F / 60°C – mohlo by dojít k otevření tepelné pojistky čerpadla. Při použití horké vody používejte vhodné ochranné osobní prostředky, které snižují riziko popálení.

Při použití horké vody v mrazivém počasí, učiňte opatření, která zabrání zamrznutí vody v čerpadlu. Mohlo by to čerpadlo poškodit.

Ujistěte se, že je přívodní ventil tlakové čističky zavřený a připojte k němu přívodní hadici.

### Příprava odpadu či kanálu

Pokud tlakovou hadici povedete skrze průlez, dešťový kanál nebo jiný velký otvor, vytvořte pomocí trubek a spojek vodící dráhu od přístupového otvoru kanálu k místu výkonu práce. Zabráníte tak šlehání tlakové hadice kolem přístupového otvoru a ochráníte ji před poškozením.



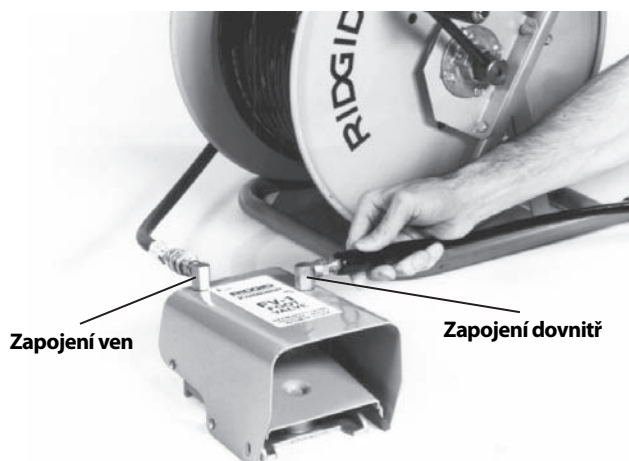


**Obrázek 10 – Nastavení hadice od vstupního otvoru odpadu k místu výkonu práce**

### Příprava hadice

Při vedení tlakových hadic buďte opatrní. Vedení hadic přes hrubé povrchy, ostré hrany, jiné hadice může poškodit plášť hadic, obzvláště je-li tlaková čistička používána v pulzním režimu. Uchovávání hadice na bubnové navíječce pomáhá minimalizovat poškození hadice.

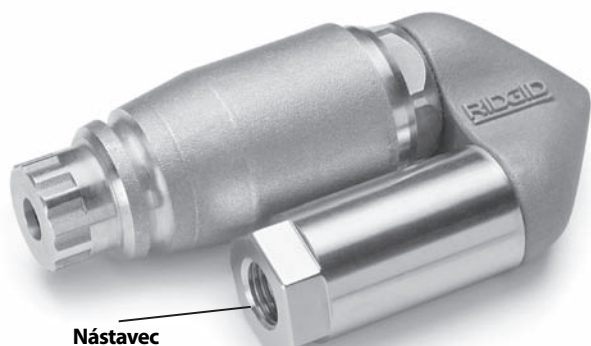
1. Zvolte velikost tlakové hadice vhodnou pro čištění odpad. Obecně se pro čištění odpadů nedoporučuje spojovat dvě tlakové hadice dohromady. Spojení mezi takovými dvěma hadicemi je méně ohebné a může bránit průchodu fitinky - viz tabulka výběru hadic tlakové čističky.
2. Dle potřeby oddělte bubnovou navíječku hadice od sestavy motoru/čerpadla. Bubnovou navíječku hadice umístěte do vzdálenost 3 stopy / 90 cm od vstupního otvoru odpadu. Mimo odpad nenechávejte volně příliš mnoho hadice, abyste zabránili jejímu poškození. Pokud bubnovou navíječku hadice nelze umístit 3 stopy / 90 cm od vstupního otvoru odpadu, vzdálenost od vstupního otvoru odpadu k navíječce nastavte pomocí fitinky a potrubí podobných rozměrů.
3. Vedte hadici z tlakové čističky do vstupního fitinky nožního ventilového spínače. Pomocí teflonové pásky utěsněte spojení. Nožní ventilový spínač umístěte tak, aby byl dobře přístupný. Musíte být schopni ovládat jak tlakovou hadici tak nožní spínač.
4. Připojte hadici z bubnové navíječky k výstupnímu fitinku nožního ventilového spínače.



**Obrázek 11 – Připojení nožního ventilového spínače**

5. Označte tlakovou hadici blízko konce jako indikátor, kdy se tryska ocitne blízko vstupního otvoru odpadu při vytahování hadice. Pomůžete tak zabránit vytažení trysky a šlehání tlakové hadice. Vzdálenost závisí na konfiguraci odpadu, měla by však být nejméně 4 stopy / 1,2 m.
6. Odpojte trysku z konce tlakové hadice a vložte jej do odpadu. Otevřete přívodní ventil a z tlakové čističky a používaných hadic vypláchněte veškerý vzduch a nečistoty. Nechte vodu odtékat alespoň 2 minuty.
7. Zavřete přívodní ventil.
8. Zvolte trysku. Použijte trysku o rozměru, který odpovídá použité tlakové čističce. Použití nesprávných trysek může způsobovat nízký výkon (nízký provozní tlak nebo průtok vody) nebo může kvůli nadměrným tlakům poškodit tlakovou čističku. Ujistěte se, že jsou hrdla trysky otevřená a průchodná. Viz tabulka výběru tlakové trysky.  
  
Pokud používáte trysku RR3000 pro odpady o průměru 6" / 152 mm - 9" / 229 mm, musíte použít nástavec. U odpadů o průměru 6" / 152 mm a menším není třeba používat nástavec. Dle potřeby rukou pevně utáhněte nástavec na trysce RR3000 - neutahujte jej však příliš. Při použití trysky RR3000 v odpadovém potrubí o průměru 6" / 152 mm - 9" / 229 mm nebo větším bez nástavce může vést ke změně směru trysky, jejímu opuštění odpadu a způsobení vážného poranění obsluhy (Obrázek 12).
9. Rukou pevně dotáhněte trysku na konec hadice - neutahujte ji však příliš. Přílišné utážení trysky může způsobit její poškození a vést k nízkému výkonu.

10. Hadici s připojenou tryskou zasuňte do odpadu a otevřete přívodní ventil. Ujistěte se, že voda volně protéká skrze trysku a přívodní ventil zavřete.



Obrázek 12 – Tryska RR3000 s nástavcem

### TABULKA VÝBĚRU TLAKOVÉ HADICE

	Použití	Rozměr potrubí palce / mm	Rozměr trysky palce / mm	Rozměr hadice (vnitřní průměr) palce / mm	Rozměr hadice (vnější průměr) palce / mm
KJ-2200	Koupelnová umyvadla, pisoáry a menší potrubí.	1 1/4 - 2 / 32 - 50	1/8 / 3,2 za normálního tlaku a teploty	1/8 / 3,2	3/16 / 4,8
	Kuchyňské dřezy, prádelní vany a zásobníky, čisticí otvory a ventilace.	2 - 3 / 50 - 76	1/8 / 3,2 za normálního tlaku a teploty	3/16 / 4,8	1/4 / 6,4
	Sprchové a podlažní odpady, vedlejší potrubní systémy a lapače tuků.	3 - 4 / 76 - 101	1/4 / 6,4 za normálního tlaku a teploty	1/4 / 6,4	1/2 / 13
	Vedlejší a hlavní potrubní systémy.	4 - 6 / 101 - 152	1/4 / 6,4 za normálního tlaku a teploty	1/4 / 6,4	1/2 / 13
KJ-3100	Zásobníky, čisticí otvory a ventilace.	2 - 3 / 50 - 76	1/8 / 3,2 za normálního tlaku a teploty	3/16 / 4,8	1/4 / 6,4
	Podlažní odpady, vedlejší potrubní systémy a lapače tuků.	3 - 4 / 76 - 101	1/4 / 6,4 za normálního tlaku a teploty	3/8 / 9,5	5/8 / 16
	Vedlejší a hlavní potrubní systémy.	4 - 10 / 101 - 250	1/4 / 6,4 za normálního tlaku a teploty	3/8 / 9,5	5/8 / 16

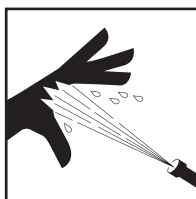
### TAUBLKA VÝBĚRU TLAKOVÉ TRYSKY

KJ-2200	Rozměr závitu, palce / mm	1/8 / 3,2 za normálního tlaku a teploty	1/4 / 6,4 za normálního tlaku a teploty
	Rozměr hadice (vnitřní průměr), palce / mm	1/8 & 3/16 / 3,2 & 4,8	1/4 / 6,4
	Rozměr hadice (vnější průměr), palce / mm	3/16 & 1/4 / 4,8 & 6,4	1/2 / 13
	Je vybavena třemi zpětnými tryskovými otvory pro maximální pohon tlakového mytí na dlouhé vzdálenosti. Tuto trysku používejte pro většinu aplikací.	<b>H-61</b>	<b>H-71</b>
	Používá tři zpětné tryskové otvory a jednu dopřednou trysku k průniku tuhými mastnotami nebo kalovými ucpávkami. Dopředná tryska vytvoří v ucpaném místě malý otvor, kterým pak následuje celé těleso trysky. Je také velmi účinná při pronikání místy ucpanými ledem.	<b>H-62</b>	<b>H-72</b>
	Používá kloub k průniku obtížnými ohyby. Tato tryska má tři zpětné tryskové otvory.	<b>H-64</b>	
Používá rotační trysku, která čistí odpadové potrubí od mastnot a podobných nánosů.	<b>H-65</b>	<b>H-75</b>	

KJ-3100	<b>Rozměr závitu, palce / mm</b>	$\frac{1}{8}$ / 3,2 za normálního tlaku a teploty	$\frac{1}{4}$ / 6,4 za normálního tlaku a teploty
	<b>Rozměr hadice (vnitřní průměr), palce / mm</b>	$\frac{3}{16}$ / 4,8	$\frac{3}{8}$ / 9,5
	<b>Rozměr hadice (vnější průměr), palce / mm</b>	$\frac{1}{4}$ / 6,4	$\frac{5}{8}$ / 16
	Je vybavena čtyřmi (4) zpětnými tryskovými otvory pro maximální pohon tlakového mytí na dlouhé vzdálenosti. Tuto trysku použijte pro většinu aplikací.	<b>H-101</b>	<b>H-111</b>
	Používá tři zpětné tryskové otvory a jednu dopřednou trysku k průniku tuhými mastnotami nebo kalovými ucpávkami. Dopředná tryska vytvoří v ucpaném místě malý otvor, kterým pak následuje celé těleso trysky. Je také velmi účinná při pronikání místy ucpanými ledem.	<b>H-102</b>	<b>H-112</b>
	Používá kloub k průniku obtížnými ohyby. Tato tryska má čtyři (4) zpětné tryskové otvory.	<b>H-104</b>	
	Používá rotační trysku, která čistí odpadové potrubí od mastnot a jiných ucpávek.	<b>H-105</b>	<b>H-115</b>
Používá se k odstraňování kořenů a jiných druhů ucpávek. POZNÁMKA! Abyste při čištění odpadového potrubí o průměru 8" / 200 mm zařízení RR3000 stabilizovali, použijte nástavec.		<b>RR3000</b>	

## Návod k obsluze

### ▲ VAROVÁNÍ



**Noste vždy ochranu zraku, abyste si chránili oči před nečistotou a jinými cizími předměty. Noste vždy osobní ochranné prostředky vhodné pro prostředí výkonu práce.**

**Tlakovou vodní čističku nikdy neprovozujte s koncem hadice mimo odpadní potrubí. Hadice může šlehnout, a způsobit tak úraz nárazem nebo proudem vody, který může proniknout pokožkou a způsobit vážné poranění.**

**Může dojít k vstříku vody pod vysokým tlakem pod kůži s následkem vážného poranění včetně amputace. Proudem vody nemířte na osoby nebo zvířata.**

**Tlakovou čističku neprovozujte při vyšším než jmenovitém tlaku nebo vyšší teplotě než 140°F / 60°C (teplota vody na vstupu). Zvyšuje se tak nebezpečí úrazu, včetně popálení, a poškození tlakové čističky.**

**Proces tlakového čištění a nožní spínač musí obsluhovat stejná osoba. Vždy používejte nožní spínač. Pokud se tlaková hadice dostane z odpadu, obsluha musí být schopná zavřít přívod vody, aby tak snížila riziko šlehaní hadice, které může způsobit zranění nárazem nebo vysokotlakým průnikem.**

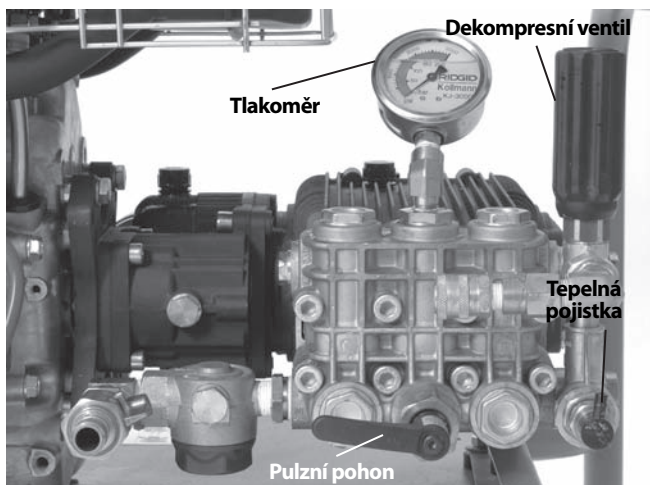
**Při manipulaci a používání zařízení na čištění odpadů a kanálů používejte vhodné osobní ochranné prostředky. V kanálech se mohou vyskytovat**

**chemikálie, bakterie a jiné látky, které mohou být toxické, infekční, mohou způsobovat popáleniny nebo jiné potíže. Osobní ochranné prostředky musí vždy zahrnovat bezpečnostní brýle a ochranné rukavice, a dále mohou zahrnovat další prostředky, např. latexové nebo gumové rukavice, obličejové ochranné štíty, ochranné brýle, ochranný oděv, dýchací přístroje a obuv s ocelovou podrážkou.**

**Dodržujte pokyny v návodu k obsluze, abyste snížili nebezpečí úrazu šlehačícími hadicemi, vysokotlakým proudem vody, otravy oxidem uhelnatým či úrazu z jiných příčin.**

1. Zkontrolujte, zda jsou přístroj i pracoviště správně připraveny a že na pracovišti nejsou žádné osoby ani něco, co odvádí pozornost. Pokud je tlaková čistička umístěna mimo místo výkonu práce, měla by ji obsluhovat další osoba.
2. Hadici s připojenou trysku zasuňte do odpadu alespoň 3 stopy / 90 cm hluboko, aby se konec hadice nemohl dostat ven z odpadu a při spuštění stroje šlehat kolem.
3. Ujistěte se, že je páčka pulzního pohonu otočena proti směru hodinových ručiček do polohy „Tlak“ (Obrázek 16).
4. Otevřete přívodní ventil. Nikdy nespustíte motor bez otevřeného přívodního ventilu. Mohlo by se poškodit čerpadlo.
5. Snižte tlak sešlápnutím nožního ventilového spínače nechte motor nastartovat. Ujistěte se, že voda může volně protékat tryskou. Nastartujte motor dle pokynů v dodaném návodu k obsluze motoru. Nechte motor zahřát.




**Obrázek 13 – Ovládací prvky**

6. Otočte dekompresním ventilem, zatímco sledujete tlakoměr, a nastavte požadovaný tlak (po směru hodinových ručiček je zvýšíte, proti směru snížíte). Nepřesahujte příslušný jmenovitý tlak stroje. Dekompresní ventil neotáčejte silou ani pomocí klíče či jiných nástrojů. Dekompresní ventil byste tak poškodili.

Tlaková čistička	Jmenovitý tlak, psi / bar
KJ-2200	2200 / 150
KJ-3100	3000 / 205

Pokud tlaková čistička nevyvíjí jmenovitý tlak nebo je tlak nevyrovnaný:

- Ujistěte se, že je škrticí klapka motoru správně seřízená.
- Ujistěte se, že je přívodní ventil zcela otevřený a ostatní ventily v systému přívodu vody také zcela otevřené.
- Otočte dekompresním ventilem po směru hodinových ručiček a zvyšte tlak. Nepoužívejte sílu.
- Ujistěte se, že je pulzní pohon nastaven na „Tlak“.
- Opakovaně několikrát přepněte pulzní pohon mezi polohami „Tlak“ a „Pulzy“, zatímco jednotka pracuje, aby se ze systému uvolnil všechny nahromaděný vzduch.
- Zkontrolujte možné netěsnosti systému. Během kontroly buďte opatrní, abyste zabránili možnému poranění. V případě nálezu netěsností, tlakovou čističku před opravou vypněte.
- Tlakovou čističku vypněte. Zkontrolujte přívodní filtr/podložku filtru a ujistěte se, že jsou prosté nečistot a nánosů.
- Ujistěte, že má tlaková čistička dostatečný přívod vody.

- Tlakovou čističku vypněte a zavřete přívodní ventil. Odpojte trysku a vyčistěte její hrdla pomocí nástroje na čištění trysek.
- Spusťte tlakovou čističku bez trysky nasazené na hadici, abyste ze systému odstranili vzduch a nánosy či nečistoty. Před odpojováním či připojováním trysky tlakovou čističku vypněte.

#### 7. Zaujměte vhodnou provozní pozici.

- Ujistěte se, že můžete na nožním spínači ovládat funkci Zapnout/Vypnout. Nožní ventilový spínač ještě nezapínejte.
- Ujistěte se, že máte dobrou rovnováhu a nemusíte zacházet daleko.
- Po celou dobu musíte být schopni držet jednu ruku na hadici, abyste ji mohli ovládat a podepřít.
- Musíte být schopni dosáhnout na bubnovou navíječku při navíjení či odvíjení hadice.

Tato provozní pozice vám umožní udržet si kontrolu nad tlakovou hadicí.


**Obrázek 14 – Správná provozní poloha**

### Tlakové čištění odpadu


Při tlakovém čištění odpadů je hadice obvykle zavedena do odpadu na celou čištěnou délku a poté pomalu tažena zpět. Je tak možné nasměrovat proud vysokotlakové vody na stěny odpadového potrubí a odstranit nánosy.

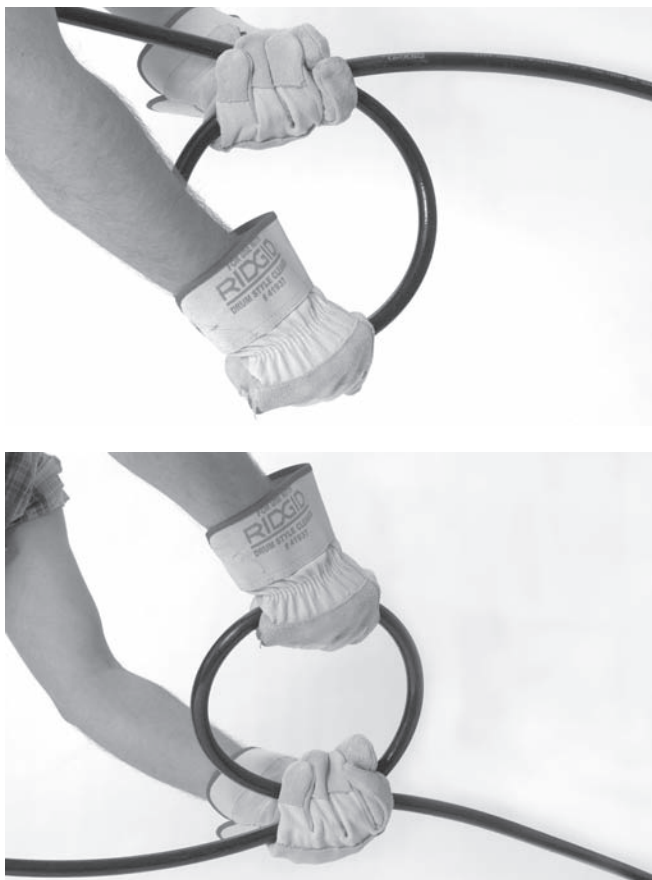
Uvolněte pojistnou závlačku na bubnové navíječce. S alespoň třemi stopami / 90 cm hadice v odpadovém potrubí a jednou rukou na hadici pro kontrolu jejího



pohybu uvolněte nožní spínač. Zpětné tryskové otvory trysky pomohou vtáhnout hadici do odpadového potrubí. Hadici zaveďte na požadovanou délku čistěného úseku. Pokud se hadice zastaví, narazila na nějaký druh překážky.

Pokud nemůže tryska překážkou proniknout, např. z důvodu změny směru (jímká, odbočka, atd.) nebo z důvodu ucpávky.

- Použijte ostré nápory hadice.
- Otočte hadici o čtvrt až půl otáčky, abyste nastavili sestavu hadice do změny směru (Pokud jste hadici otočili, jakmile překonáte překážku, otočte ji zpět, abyste zabránili jejímu přehnutí) - viz Obrázek 15.
- Použijte pulzní režim.  (viz další část).
- Použijte zachytávací hadici nebo hadici o menším průměru.



**Obrázek 15 – Otáčení hadice**

Jakmile se dostanete za ucpávku, důkladně tuto část odpadového potrubí vyčistěte, než budete pokračovat dále. Posuňte se několik stop za oblast ucpávky a pomalu táhněte trysku zpět skrze místo ucpávky. Postup několikrát zopakujte a poté v odpadovém potrubí postupujte dále.

Sledujte hladinu vody v odpadovém potrubí. Pokud hladina vody příliš stoupne, může být zapotřebí tlakovou čističku vypnout a nechat vodu odtéct, než budete pokračovat. Tlakové čištění potrubí plného vody je méně účinné než, když je potrubí prázdné. Tlakovou čističku nenechte pracovat delší dobu s vypnutým nožním spínačem. Když je nožní spínač vypnutý, voda v čerpadle obíhá a zahřívá se. To může vést k otevření tepelné pojistky čerpadla.

Jakmile tryska v odpadu dosáhne požadované vzdálenosti, pomalu (1 stopa / 30 cm za minutu u velkých nánosů uvnitř odpadového potrubí) ji táhněte odpadovým potrubím zpět. Jednou rukou ovládejte hadici a druhou hadici navíjejte na bubnovou navíječku. Sledujte, jak se tryska blíží ke vstupnímu otvoru odpadu, a nedovolte, aby se dostala ven, zatímco z ní proudí voda. Mohlo by to vést ke šlehání hadice a osobním úrazům nárazem či vysokotlakým proudem vody. Hadici mějte vždy pod kontrolou. Sledujte značku blízko trysky hadice. Uvolněte nožní spínač a zavřete přívod vody.

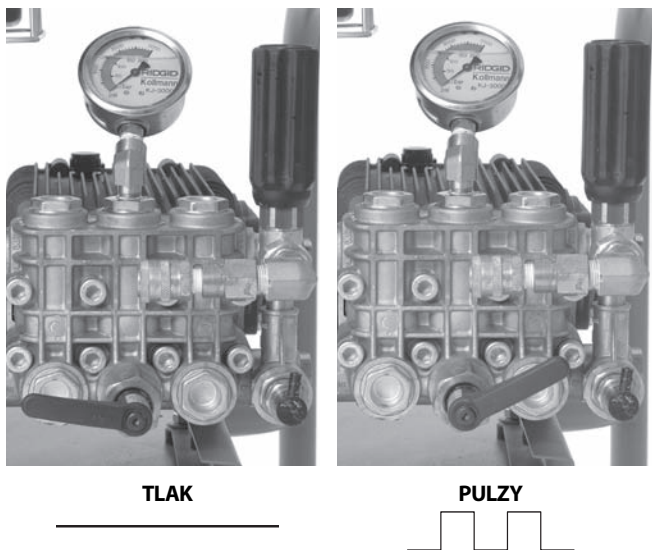
Vypněte motor dle pokynů v návodu k obsluze motoru a uvolněte nožní spínač, abyste v systému uvolnili tlak. Nikdy nenechávejte systém natlakovaný. Pokud je to třeba, vyměňte trysku a pokračujte v čištění podle výše uvedeného postupu. Pro kompletní vyčištění potrubí se čištění doporučuje provést několikrát.

Po dokončení a vypnutí tlakové čističky odpojte trysku a otevřete přívodní ventil, aby z čerpadla a hadice vytekla zbývající voda. Pokud tlakovou čističku používáte za chladného počasí, okamžitě vypusťte vodu ze systému, abyste zabránili poškození mrazem. Více informací ohledně ochrany před mrazem viz část *Uložení nástroje*.

### **Použití pulzního režimu**

Pokud při manipulaci s hadicí nemůžete proniknout v potrubí určitým směrem nebo skrze ucpané místo, měli byste použít pulzní režim. Pulzní režim využívá velkých změn v tlaku vody, které mají za následek vibraci hadice, která díky tomu lépe postupuje vpřed.

1. Páčku pulzního pohonu otočte po směru hodinových ručiček do polohy „Pulzy“. V pulzním režimu bude tlakoměr zobrazovat menší hodnotu než při plném tlaku. To je normální jev.


**Obrázek 16 – Poloha páčky pulzního pohonu**

2. V případě potřeby pomůžete trysce v průniku překážkami pomocí ostrých náporů nebo rotací hadice.
3. Jakmile se dostanete skrze překážku, otočte páčkou pulzního pohonu proti směru hodinových ručiček do polohy „Tlak“. Tlakovou čističku nenechávejte pracovat v pulzním režimu déle, než je nutné pro překonání překážky. Nadměrné používání pulzní funkce může způsobit předčasné opotřebení hadic a systému.

### Použití tlakové vodní čističky k vnějšímu tlakovému mytí

Tlakové vodní čističky společnosti RIDGID lze také použít k vnějšímu tlakovému mytí za použití speciální soupravy. Použití k vnějšímu tlakovému mytí je stejné jako u tlakového čištění, jehož pokyny by měly být dodržovány spolu s následujícími.

1. Zvolte vhodné místo výkonu.
2. Ujistěte se, že veškeré vybavení bylo patřičně zkontrolováno.
3. K příslušné hadici připojte mycí nástavec. Vždy používejte hadici pro provozní tlak odpovídající alespoň jmenovitému tlaku tlakové čističky. K odstranění netěsností používejte závitové těsnění.
4. Připojte hadici k výstupu na tlakové čističce. Ujistěte se, že jsou oba konce hadice bezpečně připojené, aby se nemohly pod tlakem odpojit.
5. K tlakové čističce připojte vhodný přívod vody, jak je uvedeno výše.
6. Otevřete přívodní ventil a stlačte spoušť mycího nástavce, aby mohla protékat voda a systém se zbavil jakéhokoliv vzduchu a nečistot. Nikdy nespouštějte

motor bez OTEVŘENÉHO přívodního ventilu. Mohlo by se poškodit čerpadlo.

7. Ujistěte se, že je páčka pulzního pohonu otočena proti směru hodinových ručiček do polohy „Tlak“.
8. Nastavení trysky mycího nástavce – Otočením trysky lze změnit mycí režim z jemného proudu na široký sprej. Zatažením trysky směrem dopředu (nízký tlak) a dozadu (vysoký tlak) lze měnit tlak vody. Při začátku mytí se ujistěte, že je tryska zatažená do polohy vysokého tlaku.


**Obrázek 17 – Nastavení trysky mycího nástavce**

9. Pojistka mycího nástavce – mycí nástavec je na zadní části spouště vybaven pojistkou. Překlopení pojistky dolů brání použití spouště, když není mycí nástavec používán.
10. Mycím nástavcem zamířte bezpečným směrem a stiskněte spoušť, aby se snížil tlak a motor mohl být nastartován. Nastartujte motor dle pokynů v dodaném návodu k obsluze motoru. Nechte motor zahřát. Jakmile motor nastartuje, spoušť uvolněte.
11. Mycím nástavcem zamířte bezpečným směrem a stiskněte jeho spoušť. Otáčením dekompresního ventilu při sledování tlakoměru nastavte požadovaný tlak. Nepřesahujte jmenovitý tlak stroje. Uvolněte spoušť mycího nástavce.

### Obsluha tlakového mytí

1. Pokud nástroj používáte k tlakovému mytí, používejte k uchopení obě ruce, abyste dosáhli větší směrové kontroly mycího nástavce. Nikdy nemiřte mycím nástavcem na lidi. Může dojít k vstříku kapaliny pod vysokým tlakem pod kůži s následkem vážného poranění. Nikdy nemiřte mycím nástavcem na elektrická zařízení nebo vedení, abyste snížili nebezpečí zásahu elektrickým proudem.
2. Průtok vody se reguluje pomocí spouště. Při tlakovém mytí buďte opatrní. Držení trysky příliš blízko povrchu jej může poškodit. Otestujte malou, nepatrnou plochu a ujistěte se, že nastavení funguje dle vašich požadavků.
3. Tlakovou čističku nenechte pracovat delší dobu s vypnutou spouští. Když je spoušť vypnutá, voda v čerpadle obíhá a zahřívá se. To může vést k otevření tepelné pojistky čerpadla.

4. Jakmile tlakové mytí dokončíte, uvolněte spoušť a vypněte motor postupem uvedeným v návodu k jeho obsluze. Stiskněte spoušť a uvolněte tlak v systému. Nikdy nenechávejte systém natlakovaný.

### Vstřikování mycího prostředku

1. V případě potřeby připojte vstřikování mycího prostředku k výstupnímu otvoru. Odpojte výstupní hadici a připojte vstřikování mycího prostředku se šipkou na jednotce směřující ve směru průtoku vody. K odstranění netěsností použijte závitové těsnění. Připojte zpět výstupní hadici.
2. Ke vstřikování mycího prostředku připojte nasávací hadici. Konec hadice vybavený sítkem vložte do nádoby s mycím prostředkem. Používejte pouze mycí prostředky určené k tlakovému mytí. Řiďte se všemi pokyny uvedenými u mycího prostředku. K ostříku nepoužívejte hořlavé kapaliny nebo toxické chemické přípravky. Ostatní mycí prostředky, rozpouštědla, čisticí prostředky, apod. mohou poškodit tlakovou čističku nebo způsobit vážná zranění.
3. Při tlakovém mytí je mycí prostředek dávkován pouze, když je tryska mycího nástavce v poloze nízkého tlaku. Zatáhnutím trysky dopředu do polohy nízkého tlaku je zapnuto dávkování mycího prostředku.
4. Během provozu lze míru dávkování mycího prostředku nastavit otočením objímky na vstřikování mycího prostředku. Otočení proti směru hodinových ručiček zvyšuje a po směru hodinových ručiček snižuje množství mycího prostředku.
5. Jakmile dokončíte aplikaci mycího prostředku, vyjměte síto z mycího prostředku, vložte jej do kbelíku čisté vody a vypláchněte zbytky mycího prostředku ze systému.

## Návod k údržbě

### ▲ VAROVÁNÍ

**Před prováděním jakékoliv údržby by měl být vypnutý motor a vodiče zapalovacích svíček by měly být odpojeny, aby se zabránilo nechtěnému spuštění motoru. Sešlápněte nožní spínač nebo stiskněte spoušť mycího nástavce a uvolněte tlak kapaliny v systému.**

**Při provádění údržby noste vždy ochranné brýle a rukavice, abyste se chránili proti odpadovým bakteriím či chemikáliím.**

### Čištění

Hadici musíte čistit dle potřeby horkou, mýdlovou vodou nebo dezinfekčními prostředky. Motor a elektrický systém musíte chránit před vodou. Nečistěte proudem vody. Jednotku čistěte navlhčeným hadrem.

### Motor

Údržbu motoru provádějte v souladu s dodávaným návodem k jeho obsluze.

### Mazání čerpadla

Před použitím zkontrolujte stav oleje čerpadla. Položte tlakovou čističku na rovný povrch. Otřete jakékoliv nečistoty z oblasti měrky a měrku vyjměte – zkontrolujte stav oleje. V případě potřeby doplňte olej bez aditiv proti depozitům SAE 30W. Nepřeplňujte. Vraťte zpět měrku.

Olej čerpadla měňte po prvních 50 hodinách provozu a poté po každých 500 hodinách. Když je čerpadlo zahřáté pro provoz, odstraňte zátku na dně čerpadla a vypusťte olej do vhodné nádoby. Vraťte zátku zpět. Doplňte přibližně 32 oz / 0,9 kg oleje bez aditiv proti depozitům SAE 30W stejným postupem jako při kontrole jeho stavu.

### Mazání převodovky

Před použitím zkontrolujte stav oleje převodovky. Položte tlakovou čističku na rovný povrch. Otřete jakékoliv nečistoty z oblasti měrky a měrku vyjměte – zkontrolujte stav oleje. V případě potřeby doplňte převodkový olej SAE 90W. Nepřeplňujte. Vraťte zpět měrku.

Olej převodovky měňte po každých 500 hodinách provozu. Když je převodovka zahřátá pro provoz, odstraňte zátku na jejím dně a vypusťte olej do vhodné nádoby. Vraťte zátku zpět. Doplňte přibližně 8 oz / 0,2 kg převodkového oleje SAE 90W stejným postupem jako při kontrole jeho stavu.

### Příprava čerpadla pro zimní uskladnění

**POZNÁMKA** Pokud bude tlaková čistička uskladněna v podmínkách, kde se teploty blíží nebo klesají pod 32°F / 0°C, je nutné ji náležitě připravit. Pokud zamrzne voda v čerpadle, může se čerpadlo poškodit.

Existují dva způsoby, jak připravit tlakovou čističku pro zimní uskladnění. První způsob představuje otevření všech ventilů a použití stlačeného vzduchu k vypuzení veškeré vody ze systému. Tento způsob lze také použít k odstranění vody z hadic.

Druhý způsob představuje použití nemrznoucích směsí RV (které neobsahují etylenglykol). U tlakových čističek nepoužívejte nemrznoucí směsi na bázi etylenglykolu. Etylenglykol se nesmí používat v systému odpadové- ho potrubí.

1. K přívodnímu ventilu připojte kus hadice o délce 3 stopy / 90 cm a ventil otevřete.
2. Konec této hadice vložte do nádoby s nemrznoucí směsí RV.
3. Odpojte trysku z konce hadice.
4. Spustte tlakovou čističku a nechte ji běžet, dokud z konce hadice nevychází nemrznoucí směs.

## Příslušenství

### **VAROVÁNÍ**

**Abyste snížili nebezpečí vážného úrazu, používejte pouze příslušenství speciálně určené a doporučené pro použití s tlakovými vodními čističkami RIDGID, které je uvedeno níže. Použití jiného příslušenství vhodného pro jiné nástroje může být při použití s tlakovými vodními čističkami RIDGID nebezpečné.**

## Tlakové trysky a hadice modelu KJ-2200

Katalogové č.	Model č.	Popis	Vnitřní průměr hadice / palce / mm	Vnější průměr hadice / palce / mm		
64772	H-61	Hnačí tryska	1/8" / 3,2 mm za normálního tlaku a teploty Lze použít na hadici 1/4" / 6,4 mm			
64777	H-62	Pronikací tryska				
64782	H-64	Kloubová tryska				
82842	H-65	Rotační tryska 2200				
64787	H-71	Hnačí tryska	1/4" / 6,4 mm za normálního tlaku a teploty Lze použít na hadici 1/2" / 13 mm			
64792	H-72	Pronikací tryska				
82852	H-75	Rotační tryska 2200				
47592	H-1425	1/4" x 25' / 6,4 mm x 7,6 m	3/16 / 4,8	1/4 / 6,4		
47597	H-1435	1/4" x 35' / 6,4 mm x 10,7 m	3/16 / 4,8	1/4 / 6,4		
47602	H-1450	1/4" x 50' / 6,4 mm x 15,2 m	Zachytávací hadice 1/4" / 6,4 mm	3/16 / 4,8	1/4 / 6,4	
49272	H-1475	1/4" x 75' / 6,4 mm x 22,9 m	Oranžová	3/16 / 4,8	1/4 / 6,4	
49277	H-1400	1/4" x 100' / 6,4 mm x 30,5 m		3/16 / 4,8	1/4 / 6,4	
64732	H-1415	1/4" x 150' / 6,4 mm x 45,7 m		3/16 / 4,8	1/4 / 6,4	
50002	HL-1	Ohebný zavaděč, 1/4" / 6,4 mm	1/8 / 3,2	3/16 / 4,8		
50007	HL-2	Ohebný zavaděč, 1/2" / 13 mm	1/8 / 3,2	3/16 / 4,8		
47607	H-1250	1/2" x 50' / 13 mm x 15,2 m	Tlaková hadice 1/2" / 13 mm	1/4 / 6,4	1/2 / 13	
47612	H-1275	1/2" x 75' / 13 mm x 22,9 m		1/4 / 6,4	1/2 / 13	
47617	H-1200	1/2" x 100' / 13 mm x 30,5 m		1/4 / 6,4	1/2 / 13	
51587	H-1211	1/2" x 110' / 13 mm x 33,5 m		1/4 / 6,4	1/2 / 13	
49487	H-1215	1/2" x 150' / 13 mm x 45,7 m		Černá	1/4 / 6,4	1/2 / 13
51597	H-1220	1/2" x 200' / 13 mm x 61 m			1/4 / 6,4	1/2 / 13

## Příslušenství tlakové čističky KJ-2200

Katalogové č.	Model č.	Popis
62882	H-5	Mini bubnová navíječka hadice (bez hadice)
64737	H-30	H-30 Vozík s bubnovou navíječkou hadice
62877	H-30 WH	H-30 Vozík s bubnovou navíječkou hadice a tlaková hadice 110' / 33,5 m x 1/2" / 13 mm
64077	HP-22	Souprava pro venkovní tlakové mytí, KJ-2200
64767	HW-22	Mycí nástavec, KJ-2200
51572	H-1235	Hadice mycího nástavce 1/2" / 13 mm x 35' / 10,7 m
48157	FV-1	Nožní ventilový spínač
66732	HF-4	Hadice s rychlospojkou
48367	H-25	Souprava pro zimní uskladnění
47542	H-21	Nástroj na čištění trysek
67187	H-32	Tlakový vysavač



## Tlakové trysky a hadice modelu KJ-3100

Katalogové č.	Model č.	Popis	Vnitřní průměr hadice palce / mm	Vnější průměr hadice palce / mm
38698	H-101	Hnací tryska	$\frac{1}{8}$ " / 3,2 mm za normálního tlaku a teploty	
38713	H-102	Pronikací tryska	Lze použít na hadici $\frac{1}{4}$ " / 6,4 mm	
38703	H-104	Kloubová tryska		
38723	H-105	Rotační tryska $\frac{1}{8}$ " / 3,2 mm za normálního tlaku a teploty		
38693	H-111	Hnací tryska	$\frac{1}{4}$ " / 6,4 mm za normálního tlaku a teploty	
38708	H-112	Pronikací tryska	Lze použít na hadici $\frac{3}{8}$ " / 9,5 mm	
38718	H-115S	Rotační tryska $\frac{1}{4}$ " / 6,4 mm za normálního tlaku a teploty		
16713	RR3000	Kořenová řezná tryska		
47592	H-1425	Zachytávací hadice $\frac{1}{4}$ " / 6,4 mm x 25' / 7,6 m	$\frac{3}{16}$ / 4,8	$\frac{1}{4}$ / 6,4
47597	H-1435	Zachytávací hadice $\frac{1}{4}$ " / 6,4 mm x 35' / 10,7 m	$\frac{3}{16}$ / 4,8	$\frac{1}{4}$ / 6,4
47602	H-1450	Zachytávací hadice $\frac{1}{4}$ " / 6,4 mm x 50' / 15,2 m	$\frac{3}{16}$ / 4,8	$\frac{1}{4}$ / 6,4
49272	H-1475	Zachytávací hadice $\frac{1}{4}$ " / 6,4 mm x 75' / 22,9 m	$\frac{3}{16}$ / 4,8	$\frac{1}{4}$ / 6,4
49277	H-1400	Zachytávací hadice $\frac{1}{4}$ " / 6,4 mm x 100' / 30,5 m	$\frac{3}{16}$ / 4,8	$\frac{1}{4}$ / 6,4
64732	H-1415	Zachytávací hadice $\frac{1}{4}$ " / 6,4 mm x 150' / 45,7 m	$\frac{3}{16}$ / 4,8	$\frac{1}{4}$ / 6,4
64827	H-3835	Mycí hadice s vnitřním průměrem $\frac{3}{8}$ " / 9,5 mm x 35' / 10,7 m	$\frac{3}{8}$ / 9,5	$\frac{5}{8}$ " / 16
64832	H-3850	Tlaková/Mycí hadice s vnitřním průměrem $\frac{3}{8}$ " / 9,5 mm x 50' / 15,2 m	$\frac{3}{8}$ / 9,5	$\frac{5}{8}$ " / 16
64837	H-3810	Tlaková hadice s vnitřním průměrem $\frac{3}{8}$ " / 9,5 mm x 100' / 30,5 m	$\frac{3}{8}$ / 9,5	$\frac{5}{8}$ " / 16
64842	H-3815	Tlaková hadice s vnitřním průměrem $\frac{3}{8}$ " / 9,5 mm x 150' / 45,7 m	$\frac{3}{8}$ / 9,5	$\frac{5}{8}$ " / 16
64847	H-3820	Tlaková hadice s vnitřním průměrem $\frac{3}{8}$ " / 9,5 mm x 200' / 61 m	$\frac{3}{8}$ / 9,5	$\frac{5}{8}$ " / 16
64852	H-3825	Tlaková hadice s vnitřním průměrem $\frac{3}{8}$ " / 9,5 mm x 250' / 76,2 m	$\frac{3}{8}$ / 9,5	$\frac{5}{8}$ " / 16
64857	H-3830	Tlaková hadice s vnitřním průměrem $\frac{3}{8}$ " / 9,5 mm x 300' / 91,4 m	$\frac{3}{8}$ / 9,5	$\frac{5}{8}$ " / 16

## Příslušenství tlakové čističky KJ-3100

Katalogové č.	Model č.	Popis
62882	H-5	Mini bubnová navíječka
64862	H-38	Bubnová navíječka (lze použít s modelem KJ-3100)
64902	H-38 WH	Bubnová navíječka s hadicí s vnitřním průměrem 200' / 61 m x $\frac{3}{8}$ " / 9,5 mm (lze použít s modelem KJ-3100)
64797	HW-30	Mycí nástavec, KJ-3100
48367	H-25	Souprava pro zimní uskladnění
48157	FV-1	Nožní ventilový spínač
66732	HF-4	Hadice s rychlospojkou (Bubnová navíječka k nožnímu ventilovému spínači)
47542	H-21	Nástroj na čištění trysek
67187	H-32	Tlakový vysavač

## Uskladnění přístroje

**⚠ VAROVÁNÍ** Tlakovou čističku uchovávejte na dobře větraném místě chráněném před deštěm a sněhem. Nástroj skladujte v uzamčeném prostoru, který je z dosahu dětí a lidí neseznámených s tlakovými čističkami. Tento nástroj může způsobit vážná poranění v rukách nezacvičených uživatelů. Více informací o zimním uskladnění viz oddíl *Údržba*. Ohledně uskladnění motoru viz návod k jeho obsluze.

## Servis a opravy

**⚠ VAROVÁNÍ**

**Po nevhodném servisním zásahu nebo opravě může být nástroj při práci nebezpečný.**

Většinu potřebných informací o servisu tohoto nástroje naleznete v části „Návod k údržbě“. Všechny potíže, které v nejsou v této části uvedeny, musí být projednány s autorizovaným servisním technikem společnosti RIDGID.

Nástroj je třeba doručit do nezávislého autorizovaného servisního střediska produktů RIDGID nebo vrátit výrobci.

Pokud hledáte nejbližší nezávislé servisní středisko pro produkty RIDGID nebo máte jakékoliv dotazy týkající se servisu nebo oprav:

- Obráťte se na místního distributora výrobků společnosti RIDGID.
- Navštivte [www.RIDGID.com](http://www.RIDGID.com) nebo [www.RIDGID.eu](http://www.RIDGID.eu) a vyhledejte místní kontaktní místo pro výrobky RIDGID.
- Kontaktujte technické oddělení pro výrobky RIDGID na [rtctechservices@emerson.com](mailto:rtctechservices@emerson.com) nebo v USA a Kanadě zavolejte na číslo (800) 519-3456.

## Likvidace

Některé části tlakové vodní čističky obsahují cenné materiály a lze je recyklovat. Existují místní společnosti, které se na recyklování specializují, a které lze najít ve vaší oblasti. Všechny součásti zlikvidujte v souladu se všemi použitelnými předpisy. Pro získání dalších informací se spojte s místním úřadem pro nakládání s odpady.



**V zemích EU:** Elektrická zařízení nevyhazujte spolu s domácím odpadem!

Podle evropské směrnice 2002/96/EC pro likvidaci elektrických a elektronických zařízení a její aplikace v národních legislativách, musí být nepoužitelná elektrická zařízení shromážděna samostatně a zlikvidována ekologickým způsobem.

## Řešení problémů

PROBLÉM	PŘÍČINA	NÁPRAVA
<p><b>Tlaková čistička pracuje ale generuje malý nebo žádný tlak.</b></p>	<p>Nedostatečný přívod vody.</p>	<p>Ujistěte se, že je kohoutek přívodu vody <b>otevřený</b>.</p> <p>Ujistěte se, že je přívodní ventil tlakové čističky <b>otevřený</b>.</p> <p>Ujistěte se, že není přívodní hadice zablokovaná, přehnutá nebo zborcená.</p>
<p><b>Tlaková čistička se při startu nenastaví na plný provozní tlak.</b></p>	<p>V systému je vzduch.</p> <p>Tryskové otvory trysky tlakové čističky jsou zablokované.</p>	<p>Odpojte trysku od tlakové hadice a ze systému vypusťte vzduch nebo nečistoty.</p> <p>Odpojte trysku a tryskové otvory vyčistěte pomocí nástroje na čištění trysek.</p>
<p><b>Tlak tlakové čističky osciluje od 500 po plný provozní tlak.</b></p>	<p>Tryskové otvory trysky tlakové čističky jsou zablokované.</p> <p>Vy systému je zachycený vzduch nebo nečistoty.</p>	<p>Odpojte trysku. Pomocí nástroje na čištění trysek vyčistěte hrdla trysky: zvolte vhodný rozměr drátu, který zcela protáhněte každým hrdlem, abyste jej zbavily nečistot.</p> <p>Odpojte trysku a tlakovou hadici zasuňte do odpadového potrubí. Spusťte tlakovou čističku a vyplavte zachycený vzduch nebo nečistoty.</p>

# Stroj na preplachovanie vodou

## KJ-2200/KJ-3100, stroje na preplachovanie vodou



KJ-3100



KJ-2200

### **⚠ VÝSTRAHA!**

Pred používaním tohto nástroja si dôkladne prečítajte návod na obsluhu. Nepochopenie a nedodržanie pokynov uvedených v tomto návode na obsluhu môže viesť k úrazom elektrickým prúdom, požiaru a/alebo vážnym zraneniam osôb.

### **KJ-2200/KJ-3100, stroje na preplachovanie vodou**

Zaznamenajte si nižšie uvedené výrobné číslo a uchovajte si výrobné číslo produktu, ktoré je uvedené na typovom štítku.

Výrobnéč.

## Obsah

<b>Záznamový formulár pre výrobné číslo zariadenia</b> .....	265
<b>Bezpečnostné symboly</b> .....	267
<b>Všeobecné bezpečnostné pokyny</b> .....	267
Bezpečnosť na pracovisku .....	267
Elektrická bezpečnosť .....	267
Bezpečnosť osôb .....	267
Použitie elektrického náradia a starostlivosť .....	268
Servis .....	268
<b>Bezpečnostné upozornenia pre stroj na preplachovanie</b> .....	268
<b>Popis, technické údaje a štandardné vybavenie</b> .....	269
Popis .....	269
Technické údaje .....	270
Ikony .....	270
Štandardné vybavenie .....	270
<b>Montáž stroja</b> .....	270
Motorový olej .....	270
Olej v čerpadle/prevodovke .....	270
Vozík KJ-2200 .....	271
Zostava rukoväte KJ-3100 .....	271
<b>Kontrola pred prevádzkou</b> .....	271
<b>Príprava stroja a pracoviska</b> .....	273
Prívod vody .....	274
Príprava odtoku .....	274
Nastavenie hadice .....	275
TABUĽKA VÝBERU PREPLACHOVACÍCH HADÍC .....	276
TABUĽKA VÝBERU HUBÍC STROJA NA PREPLACHOVANIE .....	276
<b>Pokyny na obsluhu</b> .....	277
Preplachovanie odtoku .....	279
Používanie pulzného režimu .....	279
Používanie stroja na preplachovanie ako tlakovej čističky .....	280
Prevádzka tlakovej umývačky .....	280
Injektor čistiaceho prostriedku .....	281
<b>Pokyny na údržbu</b> .....	281
Čistenie .....	281
Motor .....	281
Mazanie čerpadla .....	281
Mazanie prevodovky .....	281
Príprava čerpadla na uskladnenie v studenom počasí .....	281
<b>Príslušenstvo</b> .....	282
<b>Skladovanie zariadenia</b> .....	283
<b>Servis a opravy</b> .....	283
<b>Likvidácia</b> .....	283
<b>Riešenie problémov</b> .....	284
<b>Doživotná záruka</b> .....	Zadná strana

\*Preklad pôvodného návodu na použitie



## Bezpečnostné symboly

V tomto návode na obsluhu a na výrobku sú použité bezpečnostné symboly a varovné hlásenia, ktoré slúžia ako upozornenie na dôležité bezpečnostné informácie. Táto časť má pomôcť lepšie porozumieť týmto varovným hláseniam a symbolom.



Toto je symbol bezpečnostnej výstrahy. Označuje riziko možného zranenia osôb. Dodržaním všetkých bezpečnostných pokynov, ktoré sú uvedené pod týmto symbolom, môžete predísť možným zraneniam alebo úrazom s následkom smrti.

### ⚠ NEBEZPEČENSTVO

NEBEZPEČENSTVO označuje nebezpečnú situáciu, ktorá bude mať za následok vážne alebo smrteľné zranenie, ak jej nepredídete.

### ⚠ VÝSTRAHA

VÝSTRAHA označuje nebezpečnú situáciu, ktorá môže mať za následok vážne alebo smrteľné zranenie, ak jej nepredídete.

### ⚠ UPOZORNENIE

UPOZORNENIE označuje nebezpečnú situáciu, ktorá môže mať za následok ľahký alebo stredne vážny úraz, ak jej nepredídete.

### POZNÁMKA

POZNÁMKA označuje informácie, ktoré sa vzťahujú na ochranu majetku.



Tento symbol znamená, že pred používaním zariadenia je nevyhnutné dôkladne si prečítať návod na obsluhu. Tento návod na obsluhu obsahuje informácie dôležité pre bezpečnosť a správnu prevádzku zariadenia.



Tento symbol znamená, že používateľ musí počas manipulácie s týmto zariadením alebo počas jeho používania vždy používať okuliare s bočnými krytmi alebo bezpečnostné okuliare, aby tak znížil riziko poranenia očí.



Tento symbol označuje riziko zasiahnutia častí tela prúdom vody pod vysokým tlakom a úrazov spôsobených pretrhnutím pokožky a vstreknutím vody.



Tento symbol označuje riziko švihania hadice a úrazov spôsobených nárazom alebo vstreknutím vody.



Tento symbol označuje riziko vdýchnutia oxidu uhľnatého a zvracania, omdlenia alebo smrti.



Tento symbol označuje riziko popálenín, požiaru, explózie benzínových výparov alebo iných zdrojov, čo spôsobí popáleniny a iné zranenia.

## Všeobecné bezpečnostné pokyny

### ⚠ VÝSTRAHA

**Prečítajte si a porozumejte všetkým pokynom. Nedodržanie všetkých nižšie uvedených pokynov môže mať za následok zásah elektrickým prúdom, požiar a/alebo vážne zranenie.**

### TIETO POKYNY USCHOVAJTE!

#### Bezpečnosť na pracovisku

- **Pracovisko udržiavajte čisté a dobre osvetlené.** Preplnené stoly a tmavé priestory spôsobujú nehody.
- **Nepracujte s elektrickým náradím v explozívnom prostredí, ako je prostredie s horľavými tekutinami, plynmi alebo prachom.** Elektrické náradie vytvára iskry, ktoré môžu vznietiť prach alebo výpary.
- **Deti a iné osoby udržiavajte počas práce v dostatočnej vzdialenosti od náradia.** V prípade odpútania pozornosti by ste mohli stratiť kontrolu nad zariadením.

#### Elektrická bezpečnosť

- **Zabráňte telesnému kontaktu s uzemnenými povrchmi, ako sú napríklad potrubia, radiátory, okruhy a chladiace časti.** Ak je vaše telo uzemnené, hrozí zvýšené riziko zasiahnutia elektrickým prúdom.

#### Bezpečnosť osôb

- **Pri práci s elektrickým náradím buďte pozorný a sústreďte sa vždy na to, čo práve robíte. Nepoužívajte elektrické náradie, ak ste unavení, pod vplyvom drog, alkoholu alebo liekov.** Chvilková nepozornosť pri práci s elektrickým náradím môže mať za následok vážne zranenie.
- **Pri práci noste vhodný pracovný odev. Neobliekajte si príliš voľné oblečenie a nenoste šperky. Upravte si dlhé vlasy. Udržiavajte svoje vlasy, oblečenie a rukavice mimo dosahu pohybujúcich sa dielov.** Voľné oblečenie, šperky alebo dlhé vlasy sa môžu ľahko zachytiť do pohybujúcich sa častí.
- **Nenaťahujte sa príliš ďaleko. Stále udržiavajte pevný postoj a rovnováhu.** Stabilný postoj a rovnováha umožňuje lepšie ovládanie ručného elektrického náradia v neočakávaných situáciách.

- **Používajte ochranné pomôcky. Vždy používajte ochranu očí.** Ochranné pomôcky, ako je maska proti prachu, protišmyková obuv, ochranná prilba, alebo chrániče sluchu sa musia používať v príslušných podmienkach a znížia poškodenie zdravia.

### Použitie elektrického náradia a starostlivosť

- **Elektrické náradie nepreťažujte. Použite správne náradie určené pre dané použitie.** Pomocou vhodného elektrického náradia budete môcť v uvedenom rozsahu výkonu pracovať lepšie a bezpečnejšie.
- **Nepoužívajte elektrické náradie, ak má pokazený vypínač.** Každé elektrické náradie, ktoré nie je možné ovládať vypínačom, je nebezpečné a je nevyhnutné ho opraviť.
- **Ak sa náradie nepoužíva, uchovávajte ho mimo dosahu detí a iných osôb, ktoré neboli vyškolené na jeho používanie.** Náradie je v rukách nezaškolených osôb nebezpečné.
- **Starostlivo vykonávajte údržbu náradia. Rezné nástroje udržiavajte ostré a čisté.** Starostlivo ošetrované rezné nástroje s ostrými hranami sa menej často zasekávajú a ľahšie sa ovládajú.
- **Skontrolujte nastavenie, spojovacie a pohyblivé časti, poškodenie dielov a iný stav, ktorý by mohol ovplyvniť prevádzku elektrického náradia. Poškodené náradie treba pred použitím opraviť.** Mnoho úrazov nastáva z dôvodu nedostatočnej údržby náradia.
- **Používajte iba také príslušenstvo, ktoré pre váš model odporúča výrobca.** Príslušenstvo vhodné pre jeden typ náradia sa môže stať nebezpečným pri používaní na inom náradí.

### Servis

- **Servis náradia môže vykonávať iba kvalifikovaný servisný technik.** Ak údržbu alebo servis vykonáva nekvalifikovaný pracovník, hrozí riziko zranenia.
- **Pri vykonávaní servisu náradia používajte iba identické náhradné dielce. Dodržujte pokyny v časti Údržba v tomto návode.** Pri použití neautorizovaných náhradných dielov alebo nedodržaní pokynov na údržbu hrozí riziko zásahu elektrickým prúdom alebo riziko zranenia.

## Bezpečnostné upozornenia pre stroj na preplachovanie

### ⚠ VÝSTRAHA

Táto časť obsahuje dôležité bezpečnostné informácie, ktoré sú špecifické pre tento nástroj.

**Predtým ako začnete používať tento stroj na čistenie odtokov, dôkladne si prečítajte tieto bezpečnostné pokyny, aby ste znížili riziko zásahu elektrickým prúdom, alebo iného vážneho zranenia osôb.**

### USCHOVAJTE VŠETKY VÝSTRAHY A POKYNY PRE PRÍPADNÉ ĎALŠIE POUŽITIE!

Tento návod uchovávajte pri stroji pre potreby operátora.

- **Nikdy neprevádzkujte stroj na preplachovanie, ak sa koniec hadice nachádza mimo odtoku.** Hadica sa môže prudko ohýbať, spôsobiť zranenia úderom a vystrekujúca voda môže preniknúť do pokožky a spôsobiť vážne zranenie.
- **Voda pod vysokým tlakom môže preniknúť do pokožky a spôsobiť vážne zranenie, a prípadne aj amputáciu.** Nesmerujte prúd vody na ľudí alebo zvieratá.
- **Stroj na preplachovanie neprevádzkujte pri vyššom ako menovitom tlaku alebo pri teplote nad 140°F / 60°C (teplota vody na vstupe).** Tým sa zvyšuje riziko zranenia, popálenia a poškodenia stroja na preplachovanie.
- **Jedna osoba musí ovládať proces preplachovania i nožný ventil. Vždy používajte nožný ventil.** Ak sa hadica stroja dostane z odtoku, operátor musí byť schopný zastaviť prúd vody, aby tak znížil riziko švihania hadice stroja, ktorá by mohla spôsobiť zranenia úderom a prúdom vody pod vysokým tlakom.
- **Počas manipulácie a práce so zariadením na čistenie odtokov vždy používajte vhodné prostriedky osobnej ochrany.** Odtoky môžu obsahovať chemikálie, baktérie a ďalšie látky, ktoré môžu byť toxické, nákazlivé, spôsobovať popáleniny alebo iné problémy. Súčasťou vhodných osobných ochranných prostriedkov sú vždy bezpečnostné okuliare a rukavice, prípadne latexové alebo gumové rukavice, ochranné rúška na tvár, ochranné okuliare, ochranný odev, respirátory a obuv s oceľovou špičkou.
- **Dodržiavajte zásady hygieny. Po skončení manipulácie alebo práci so zariadením na čistenie odtokov si horúcou vodou a mydlom umyte ruky alebo iné časti tela, ktoré prišli do kontaktu s obsahom odtoku.** Počas prevádzkovania alebo práce so zariadením na čistenie odtokov nejedzte a ani nefajčite. Pomôže to zabrániť kontaminácii toxickým alebo nákazlivým materiálom.

- **Nerostrekujte toxické alebo horľavé kvapaliny.** Tým sa zníži riziko popálenín, požiaru, explózie alebo iných zranení.
- **Benzín a jeho výpary sú vysoko horľavé a výbušné.** Pozrite si návod na obsluhu motora, kde sú uvedené bezpečnostné pokyny na zníženie rizika popálenín, explózií a vážnych zranení pri manipulácii a používaní benzínu.
- **Počas činnosti motorov vzniká oxid uhoľnatý - jedovatý plyn bez farby a zápachu. Vdýchnutie oxidu uhoľnatého môže spôsobiť zvracanie, omdlenie alebo smrť.** Motor neštartujte ani neprevádzkujte v uzavretom priestore, ani keď sú otvorené dvere a okná. Stroj prevádzkujte iba vonku.
- **Horúce povrchy môžu spôsobiť popáleniny a požiar.** Všetky časti tela a horľavý materiál udržiavajte v bezpečnej vzdialenosti od horúcich povrchov.
- **Pred začiatkom práce si prečítajte a dôkladne sa oboznámte s týmto návodom na obsluhu, s návodom na obsluhu motora a s výstrahami a pokynmi na obsluhu, ktoré sa týkajú všetkých ďalších použitých zariadení.** Chyby pri dodržiavaní výstrah a pokynov môžu mať za následok poškodenie majetku a/alebo vážne zranenia.

V prípade potreby bude k tomuto návodu pripojené ES Prehlásenie o zhode (890-011-320.10) ako samostatný materiál.

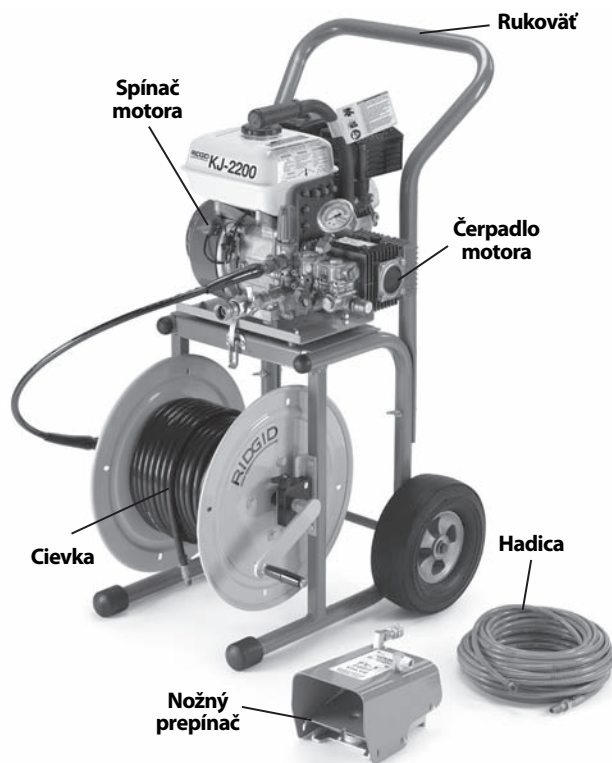
Ak máte akékoľvek otázky, ktoré súvisia s týmto výrobkom značky RIDGID® :

- Obráťte sa na miestneho distribútora značky RIDGID.
- Navštívte webové stránky [www.RIDGID.com](http://www.RIDGID.com) alebo [www.RIDGID.eu](http://www.RIDGID.eu), kde získate informácie o miestnom kontaktnom bode pre výrobky značky RIDGID.
- Obráťte sa na oddelenie technických služieb spoločnosti RIDGID prostredníctvom e-mailu [rtctechservices@emerson.com](mailto:rtctechservices@emerson.com) alebo (v USA a Kanade) volajte (800) 519-3456.

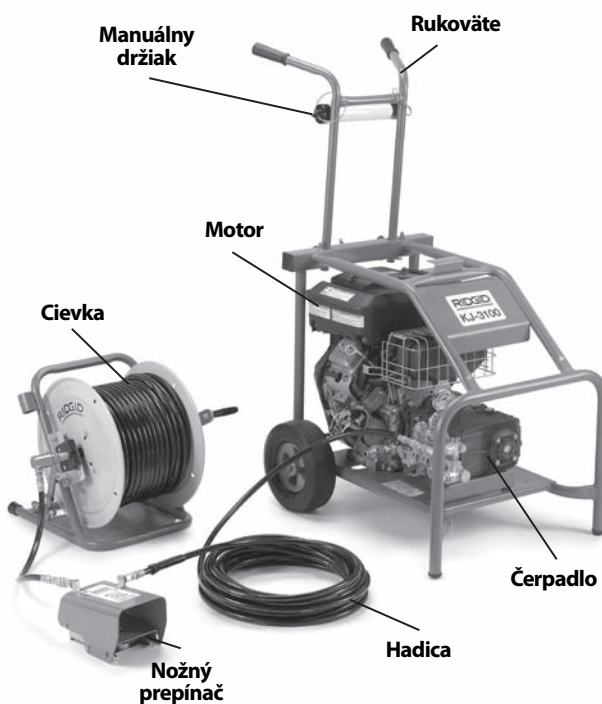
## Popis, technické údaje a štandardné vybavenie

### Popis

Stroje RIDGID® s motorovým pohonom na preplachovanie vodou sú prenosné vysokotlakové preplachovače, ktoré využívajú tlak a prúd vody na čistenie odtokov od mastnoty, kalu, usadenín a koreňov. Do odtoku sa zavádza pružná a ľahká hadica, ktorá je poháňaná protiprúdovými tryskami na hubici stroja na preplachovanie a pri spätnom navíjaní hadica odstraňuje odpad z potrubia. V zapnutom pulznom režime hadica ľahšie prejde cez problematické ohyby a sifóny. Všetky stroje sú vybavené benzínovým motorom na pohon piestového čerpadla triplex.



Obrázok č. 1 - KJ-2200, vodný preplachovač



Obrázok č. 2 - KJ-3100, stroj na preplachovanie



Obrázok č. 3 – Sériové číslo stroja

Sériové číslo stroja sa nachádza na ráme. Ostatné 4 čísla označujú mesiac a rok výroby. (08 = mesiac, 10 = rok).

### Technické údaje

Stroj na preplachovanie Model	Motor koní	Tlak PSI / bar
KJ-2200	6.5 / 6,5	2200 / 150
KJ-3100	16	3000 / 205
Prietok galónov za minútu / litrov	Priemer potrubia odtoku " / mm	Hmotnosť (bez cievky s hadicou) lb / kg
2.4 / 9	1 1/4 - 6 / 32 - 152	65 / 30
5.5 / 20	2 - 10 / 50 - 250	262 / 119

### Ikony



### Štandardné vybavenie

Všetky stroje na preplachovanie sa dodávajú s týmto vybavením:

- vhodné hubice,
- nástroj na čistenie hubice,
- nožný ventil FV-1,
- návod na obsluhu motora.

Pozrite si katalóg RIDGID, kde sú uvedené špecifické zariadenia, ktoré sa dodávajú pre jednotlivé katalógové čísla.

**POZNÁMKA** Tento stroj je určený na čistenie odtokov. Ak sa stroj používa správne, nepoškodí odtok, ktorý je v dobrom stave a ktorý bol správne navrhnutý, inštalovaný a udržiavaný. Ak je odtok v zlom stave alebo ak

nebol správne navrhnutý, nainštalovaný alebo udržiavaný, čistenie odtoku nemusí byť účinné alebo môže odtok poškodiť. Stav odtoku pred čistením možno najlepšie určiť vizuálnou kontrolou pomocou kamery. Nesprávne použitie tohto stroja na preplachovanie môže poškodiť stroj i odtok. Tento stroj nemusí vždy vyčistiť všetky upchaté potrubia.

### Montáž stroja

#### ⚠ VÝSTRAHA

**Pre zníženie rizika vážnych zranení počas používania a z dôvodu prevencie poškodenia stroja dodržujte tieto inštrukcie na správnu montáž.**

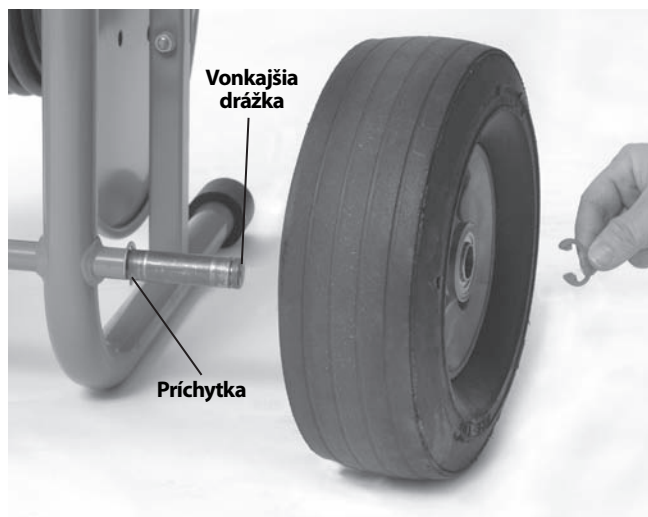
### Motorový olej

**POZNÁMKA** Stroj sa dodáva bez oleja v motore. Prevádzka motora bez oleja spôsobí poruchu motora. Pred začiatkom prevádzky doplňte olej. Špecifické informácie o doplňovaní a výbere oleja nájdete v návode na obsluhu motora.

### Olej v čerpadle/prevodovke

**Čerpadlo:** Vyberte zátku navrchu čerpadla a zložte zátku mierky/ odvzdušňovača. Prevádzka stroja na preplachovanie so založenou zátkou by mohla poškodiť tesnenia čerpadla. Skontrolujte množstvo oleja podľa časti *Pokyny na údržbu*.

**Prevodovka (iba KJ-3100):** Vyberte zátku navrchu čerpadla a miesto nej zložte zátku mierky/ odvzdušňovača. Prevádzka stroja na preplachovanie so založenou zátkou by mohla poškodiť tesnenia prevodovky. Skontrolujte množstvo maziva podľa časti *Pokyny na údržbu*.



Obrázok č. 4 – Zostava stroja KJ-2200

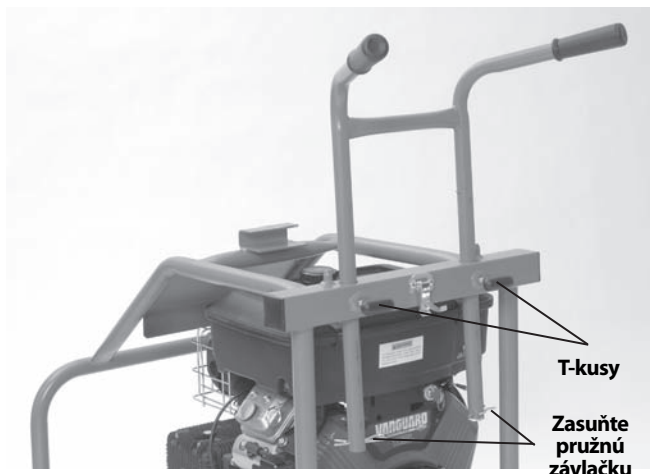


### Vozík KJ-2200

1. Zložte príchytky do vnútorných drážok na oboch koncoch nápravy. (Pozri Obrázok č. 4.)
2. Nasadte kolesá na oba konce nápravy.
3. Zložte príchytky do vonkajších drážok na oboch koncoch nápravy. Príchytky slúžia na uchytenie kolies.
4. Použite dodávané nosné skrutky a krídlové matice na uchytenie rukoväte k rámu.
5. Zdvihnite motor/zostavu čerpadla na vozík a zarovnajzte otvory v platni podstavca s kolíkmi vo vrchnej časti vozíka. Západkami na vozíku upevnite motor/čerpadlo. Uistite sa, že zostava je pevne uchytená.

### Zostava rukoväte KJ-3100

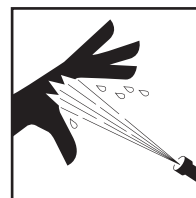
1. Zasuňte rukoväť cez dva otvory v zadnom priečnom nosníku rámu. (Pozri Obrázok č. 5.)
2. Zasuňte pružnú závlačku cez otvory v spodnej časti rukoväte, aby ste tak zabránili vytiahnutiu rukoväte.
3. Zaskrutkujte T-kusy do zadného priečneho nosníka. Rukoväte upravte podľa potreby a dotiahnutím T-kusov rukoväť zaistíte.



Obrázok č. 5 - Zostava rukoväte KJ-3100

### Kontrola pred prevádzkou

#### ⚠ VÝSTRAHA



**Pred každým použitím skontrolujte stroj na preplachovanie a napravte akékoľvek chyby, aby ste znížili riziko vážnych zranení spôsobených vysokým tlakom vody alebo inými príčinami a aby sa predišlo poškodeniu stroja.**

**Počas kontroly stroja na preplachovanie vždy používajte bezpečnostné okuliare, rukavice a iné vhodné ochranné prostriedky, aby ste sa chránili pred chemikáliami a baktériami na zariadení.**

1. Uistite sa, že vypínač motora/klúč je v polohe OFF (Vypnutý).
2. Rukoväte a ovládacie prvky zariadenia očistite od oleja, maziva alebo inej nečistoty. Tým sa uľahčuje kontrola a zabránite tomu, aby sa vám z rúk vyšmykol ovládací prvok alebo stroj.
3. Skontrolujte stroj na preplachovanie a príslušenstvo podľa tohto zoznamu:
  - správna montáž a úplnosť dodávky.
  - poškodené, opotrebované, chýbajúce, nevyrovnané, zasekávajúce sa alebo uvoľnené dielce.
  - prítomnosť a čitateľnosť výstražných štítkov. (Pozri Obrázok č. 6.)
  - všetky ďalšie okolnosti, ktoré môžu zabrániť bezpečnej a normálnej prevádzke.

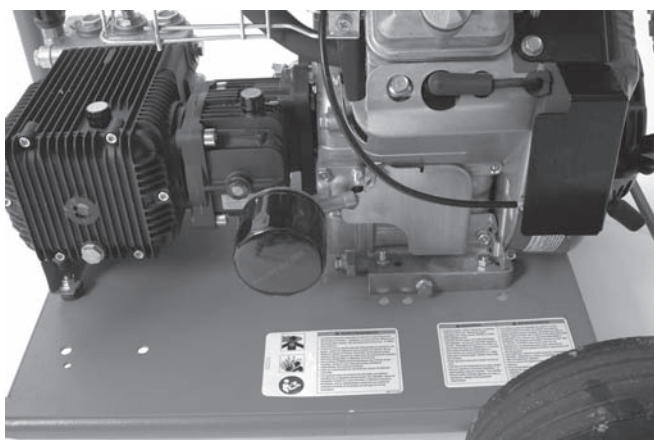
Ak sa vyskytnú akékoľvek problémy, stroj na preplachovanie používajte až po ich odstránení.



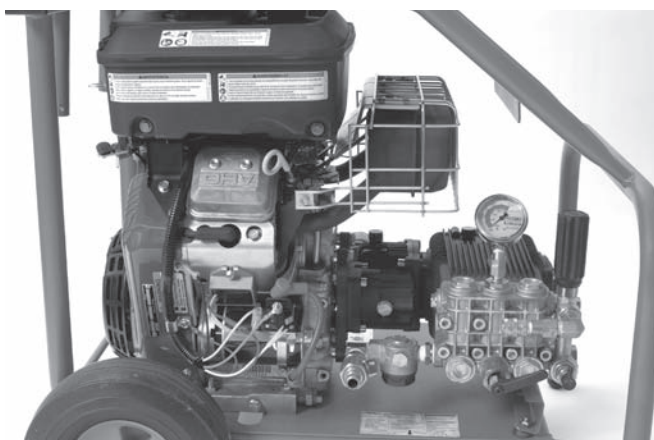
Obrázok č. 6A – Výstražné štítky KJ-2200



**Obrázok č. 6B – Výstražné štítky KJ-2200**

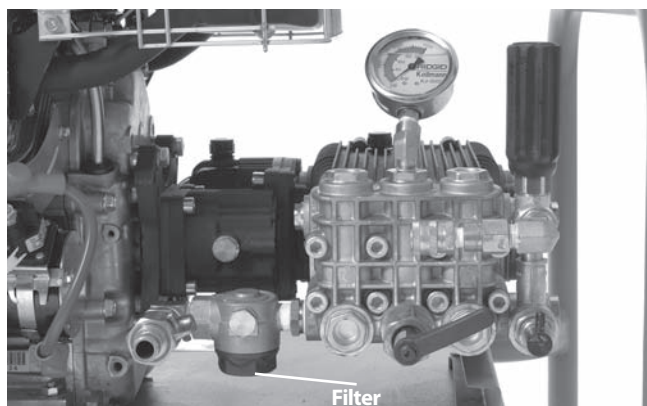


**Obrázok č. 6C – Výstražné štítky KJ-3100**



**Obrázok č. 6D – Výstražné štítky KJ-3100**

4. Vyčistíte filter prívodu vody/podložku filtra. Odskrutkujte kryt zo spodnej časti filtra, aby ste filter mohli vyčistiť. Nečistoty a odpad môžu zabrániť prúdeniu vody do čerpadla a spôsobiť problémy počas prevádzky.



**Obrázok č. 7 – Filter prívodu vody/podložka filtra**

5. Skontrolujte otvory hubice stroja, či nie sú poškodené alebo upchaté. Upchatie možno vyčistiť nástrojom na čistenie hubice. Dávajte pozor, aby ste počas čistenia nezväčšili otvory hubice. Poškodené hubice alebo hubice so zväčšenými otvormi môžu znížiť výkon stroja na preplachovanie a musia sa vymeniť.
6. Skontrolujte, či nie sú opotrebované a poškodené hadice, spojky a koncovky. Hadicu nepoužívajte, ak nájdete ohnuté miesta, trhliny alebo ak je vonkajší plášť hadice opotrebovaný, alebo ak je hadica inak poškodená. Poškodené hadice môžu prasknúť alebo z nich môže unikať voda pod vysokým tlakom a spôsobiť vážne zranenie. Náhradné hadice a koncovky by mali byť dimenzované na menovitý tlak stroja na preplachovanie alebo na vyšší tlak.
7. Motor kontrolujte a udržiavajte v súlade s pokynmi v návode na obsluhu motora.
8. Skontrolujte množstvo paliva v motore. U KJ-3100 odpojte západku cievky s hadicou a otáčajte cievkou dopredu tak, aby sa oprela o rám a umožnila prístup k palivovému uzáveru motora *Obrázok č. 8*. V prípade potreby doplňte bezolovnatý benzín. Podrobnosti sú uvedené v návode na obsluhu motora. Pri manipulácii s benzínom buďte opatrní. Palivo doplňajte v dobre vetranom priestore. Nedoplňajte viac paliva do nádrže ako je potrebné a palivo nerozlievajte. Uistite sa, že uzáver je bezpečne uzavretý.



Obrázok č. 8 – KJ-3100 prístup do palivovej nádrže

9. Skontrolujte hladinu oleja v čerpadle a v prevodovke (ak je vo výbave) a doplňte olej podľa potreby (pozrite časť Pokyny na údržbu).

## Príprava stroja a pracoviska

### ⚠ VÝSTRAHA



Počas nastavovania stroja na preplachovanie vždy používajte bezpečnostné okuliare, rukavice a iné vhodné ochranné prostriedky, aby ste sa chránili pred chemikáliami a baktériami na zariadení. Nešmyklavá obuv s gumenou podrážkou môže pomôcť predísť pošmyknutiu na mokrom povrchu.

Počas činnosti motorov vzniká oxid uhoľnatý - jedovatý plyn bez farby a zápachu. Vdýchnutie oxidu uhoľnatého môže spôsobiť zvracanie, omdlenie alebo smrť. Motor neštartujte ani neprevádzkujte v uzavretom priestore, ani keď sú otvorené dvere a okná. Stroj prevádzkujte iba vonku.

Pripravte stroj na preplachovanie a pracovisko podľa týchto postupov tak, aby sa čo najviac znížilo riziko zranenia prúdom vody pod vysokým tlakom, popálením chemikáliami, riziko infekcií, otravy oxidom uhoľnatým a inými príčinami a aby sa predišlo poškodeniu stroja.

### 1. Kontrola pracoviska:

- Dostatočné osvetlenie.
  - Či nie sú prítomné žiadne horľavé kvapaliny, výpary alebo prach, ktorý sa môže vznietiť. Ak sú prítomné, nepracujte v takomto prostredí, kým nie sú identifikované zdroje možného vznietenia a kým sa neuskutoční náprava. Stroj na preplachovanie nie je určený do explozívneho prostredia a môže vytvárať iskry.
  - Čisté, rovné, stabilné a suché miesto pre zariadenie a operátora. V prípade potreby odstráňte vodu z pracovného priestoru. Možno bude treba odstrániť drevené alebo iné kryty.
  - Umiestnenie stroja na preplachovanie v dobre vetranom priestore. Stroj na preplachovanie neumiestňujte v uzavretom priestore, ani keď sú otvorené dvere a okná. Stroj na preplachovanie možno umiestniť ďalej od miesta používania.
  - Miesto s dodávkou vhodnej vody.
  - Voľný prístup na presun stroja na preplachovanie do určenej polohy.
2. Skontrolujte odtok, ktorý treba vyčistiť. Ak je to možné, určite prístupový bod/body do odtoku, veľkosť/veľkosti a dĺžku/dĺžky odtoku, vzdialenosť k nádržiam alebo hlavným potrubiam, charakter upchatia, prítomnosť chemikálií na čistenie odtokov alebo iných chemikálií, atď. Ak sa v odtoku nachádzajú chemikálie, je dôležité rozumieť špecifickým bezpečnostným opatreniam potrebným na prácu v priestore s takýmito chemikáliami. Požiadajte výrobcu chemikálií o potrebné informácie.
- V prípade potreby demontujte armatúru (pisoár, atď.), aby ste získali prístup k odtoku. Hadicu nezavádzajte cez armatúru. Hadica i armatúra by sa mohli poškodiť.
3. Určite vhodné zariadenie pre túto aplikáciu. *Pozrite si časť Technické údaje*, kde sú uvedené informácie o týchto strojoch na preplachovanie. Informácie o čističkách odtokov a strojoch na preplachovanie pre iné aplikácie možno nájsť v katalógu produktov RIDGID na webovej lokalite [www.RIDGID.com](http://www.RIDGID.com) alebo [www.RIDGID.eu](http://www.RIDGID.eu).
4. Uistite sa, že všetky zariadenia boli náležite skontrolované.
5. Prezrite si pracovisko a určite, či sú potrebné zábrany na ochranu pred vstupom neoprávnených osôb. Osoby v blízkosti môžu rozptyľovať operátora počas práce. Ak pracujete pri ceste, okolo pracoviska umiestnite dopravné kužele alebo iné bariéry, aby ste upozornili vodičov.
6. V prípade potreby na pracovisku umiestnite ochranné kryty. Čistenie odtokov môže byť veľmi špinavý proces.



7. Stroj na preplachovanie presuňte po voľnej prístupovej ceste na vonkajšie pracovisko s dobrým vetraním. Ak stroj treba zdvihnúť, použite správne techniky zdvíhania. Zariadenie opatrne presúvajte po schodoch hore alebo dolu a uvedomujte si možné riziko pošmyknutia. Používajte vhodnú obuv, ktorá vám pomôže zabrániť pošmyknutiu.

### Prívod vody

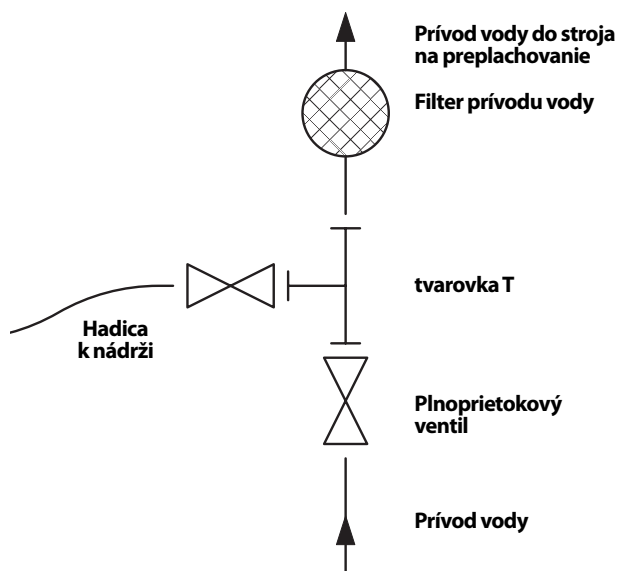
Overte si, že máte k dispozícii dostatočný prietok vody pre stroj na preplachovanie. Zdroj vody prepojte hadicou so strojom na preplachovanie. Používajte najväčší možný priemer hadice s čo najkratšou dĺžkou. Minimálny odporúčaný vnútorný priemer hadice je  $\frac{3}{4}$ " / 19 mm. Použite vhodné zabezpečovacie zariadenie proti spätnému toku, ktoré zodpovedá požiadavkám všetkých miestnych zákonov a predpisov. Zapnite zdroj vody a odmerajte čas, za ktorý naplní čisté vedro s obsahom päť galónov / 18,9 litra. *Pozrite si nasledujúcu tabuľku, kde sú uvedené maximálne časy naplnenia vedra pre jednotlivé stroje na preplachovanie.*

Stroj na preplachovanie	Menovitý prietok galónov za minútu / litrov	Maximálny čas naplnenia vedra s obsahom 5 galónov / 18,9 litra
KJ-2200	2.4 / 9	125 sekúnd
KJ-3100	5.5 / 20	55 sekúnd

Nedostatočný prúd vody neumožní stroju na preplachovanie dosiahnuť menovitý tlak a mohol by poškodiť čerpadlo. Skontrolujte vodu vo vedre, či nie je špinavá a či sa v nej nenachádzajú nečistoty. Špina a nečistoty vo vode môžu spôsobiť nadmerné opotrebovanie čerpadla, upchatie hubice filtrov stroja na preplachovanie a zníženie výkonu stroja. Nepoužívajte vodu z rybníkov, jazier alebo z iných zdrojov, ktoré môžu byť kontaminované.

V prípade nedostatočného prietoku vody možno použiť koncovku na pripojenie viacerých hadíc k stroju na preplachovanie alebo možno použiť nádrž.

Ak použijete nádrž, pripojte tvarovku T s plnoprietokovými ventilmi k prívodu vody stroja na preplachovanie, podľa Obrázku č. 9. Pripojte  $\frac{3}{4}$ " / 19 mm hadicu (nie dlhšiu ako 6' / 1,8 m) k ventilu na výstupe tvarovky T a prívod vody pripojte k vstupu do tvarovky T. Koniec hadice zasuňte do nádrže alebo ho pripojte k vývodu z nádrže. Celá dĺžka hadice z nádrže by nemala byť vyššie ako 5" / 12,7 cm nad prívodom vody do stroja na preplachovanie, inak stroj nebude nasávať vodu z nádrže.



Obrázok č. 9 – Zapojenie prívodu vody, ak sa používa nádrž

Naplňte nádrž pred naštartovaním stroja na preplachovanie. Pri štartovaní stroja na preplachovanie zavrite ventil nádrže. Hneď po naštartovaní stroja na preplachovanie otvorte ventil nádrže. Pozorujte hladinu vody v nádrži a v prípade potreby zastavte prúd vody zo stroja na preplachovanie a nechajte nádrž znovu naplniť vodou. Hladina vody nesmie klesnúť pod úroveň konca hadice.

Čistenie možno zlepšiť horúcou vodou. Nepoužívajte vodu s vyššou teplotou ako 140°F / 60°C – môže sa otvoriť termostat, ktorý chráni čerpadlo pred tepelným preťažením. Ak používate horúcu vodu, noste vhodné osobné ochranné prostriedky, aby ste znížili riziko popálenín.

V studenom počasí, dodržiavajte bezpečnostné opatrenia, aby ste zabránili zamrznutiu vody v čerpadle. Môže to spôsobiť poškodenie čerpadla.

Uistite sa, že prívodný ventil na stroji na preplachovanie je zavretý a k stroju pripojte prívodnú hadicu.

### Príprava odtoku

Pri zasúvaní hadice do šachty, kanalizačného poklopu alebo iného veľkého otvoru použite rúrku a koncovku, ktoré budú viesť hadicu stroja na preplachovanie od ústia odtoku k miestu činnosti. To zabráni švihaniu hadice stroja na preplachovanie v prístupovom otvore a ochráni hadicu pred poškodením.



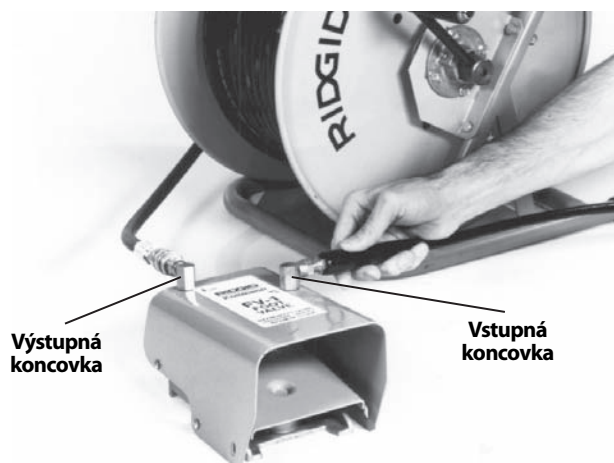


Obrázok č. 10 – Vysunutie ústia odtoku k miestu prevádzky

### Nastavenie hadice

Pri zasúvaní hadice stroja na preplachovanie buďte opatrní. Plášť hadice sa môže poškodiť pri posúvaní cez drsné povrchy, ostré okraje, iné hadice, atď., najmä ak sa stroj na preplachovanie používa v pulznom režime. Riziko poškodenia hadice stroja na preplachovanie sa minimalizuje, ak bude hadica navinutá na cievku.

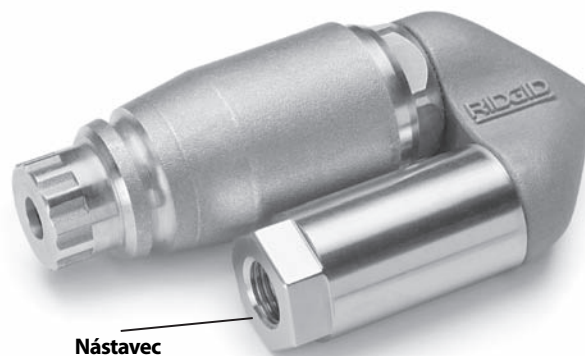
1. Vyberte si preplachovaciu hadicu, ktorej veľkosť je vhodná na čistenie odtoku. Vo všeobecnosti sa neodporúča spojiť dve preplachovacie hadice pre účely čistenia odtoku. Spojenie dvoch hadíc je menej pružné a môže sa stať, že voda nebude pretekať cez koncovky - *Pozrite si Tabuľku výberu preplachovacej hadice*
2. V prípade potreby oddelíte cievku s hadicou od zostavy motora/čerpadla. Cievku s hadicou umiestnite do vzdialenosti 3' / 90 cm od ústia odtoku. Nedovoľte, aby sa hadica zbytočne odvíjala mimo odtoku, zabránite tak poškodeniu hadice. Ak cievku s hadicou nemožno umiestniť do vzdialenosti 3' / 90 cm od ústia odtoku, nasadte na ústie odtoku rúrku a koncovky podobnej veľkosti a tak spojte ústie s cievkou.
3. Hadicu zo stroja na preplachovanie nasadte na VSTUPNÚ koncovku na nožnom ventilu. Spoj utesnite teflonovou páskou. Ventil umiestnite tak, aby ste k nemu mali dobrý prístup. Musíte ľahko ovládať hadicu stroja na preplachovanie a nožný ventil.
4. Hadicu z cievky nasadte na VÝSTUPNÚ koncovku na nožnom ventilu.



Obrázok č. 11 – Pripojenie nožného ventilu

5. Označte preplachovaciu hadicu pri konci, aby ste tak vedeli, kedy sa hadica pri vyťahovaní dostáva k ústiu odtoku. Tak zabránite vysunutiu hubice z odtoku a jej švihaniu. Vzdialenosť závisí od konfigurácie odtoku, ale mala by dosahovať hodnotu najmenej 4' / 1,2 m.
6. Vyberte hubicu z konca preplachovacej hadice a koniec hadice zasuňte do odtoku. Otvorte napájací ventil na privode, aby ste zo stroja na preplachovanie a z hadíc vypudili vzduch a prípadné nečistoty. Nechajte vodu tiecť najmenej 2 minúty.
7. Zavrite napájací ventil na privode.
8. Vyberte hubicu. Používajte hubice, ktorých rozmer je určený pre používaný stroj na preplachovanie. Použitie nesprávnych hubíc môže spôsobiť zhoršenie prevádzky (nízky prevádzkový tlak alebo slabý prietok), alebo môže poškodiť stroj na preplachovanie príliš vysokým tlakom. Uistite sa, že otvory hubíc sú voľné a otvorené. *Pozrite si tabuľku výberu hubíc stroja na preplachovanie.*  
Ak používate hubicu RR3000 na odtoky s priemerom vyšším ako 6" / 152 mm a nižším ako 9" / 229 mm, musíte použiť nástavec. U odtokov s priemerom 6" / 152 mm a menším netreba používať nástavec. V prípade potreby pevne rukou dotiahnite nástavec k hubici RR3000. Neutahujte nadmernou silou. Používanie hubice RR3000 bez nástavca v potrubí s priemerom vyšším ako 6" a nižším ako 9" / 152 mm a až do priemeru 229 mm, alebo v potrubíach s vyšším priemerom ako 9" / 229 mm, môže spôsobiť zmenu smeru hubice v odtoku, narazenie do používateľa a môže spôsobiť vážne zranenia (Obrázok č. 12).
9. Rukou pevne dotiahnite hubicu ku koncu hadice - neutahujte nadmernou silou. Násilné dotahovanie hubice ju môže poškodiť a zapríčiniť zhoršenie činnosti stroja.

10. Zasuňte hadicu s pripojenou hubicou do odtoku a otvorte napájací ventil na prívode. Uistite sa, že voda voľne prúdi cez hubicu a zavrite napájací ventil na prívode.



Obrázok č. 12 – RR3000 Hubica s nástavcom

### TABUĽKA VÝBERU PREPLACHOVACÍCH HADÍC

Aplikácie		Velkosť potrubia "/ mm	Velkosť hubice "/ mm	Velkosť hadice (vnút. priemer) "/ mm	Velkosť hadice (vonk. priemer) "/ mm
KJ-2200	Umývadlá, pisoáre a malé potrubia.	1 1/4 - 2 / 32 - 50	1/8 / 3,2 NPT	1/8 / 3,2	3/16 / 4,8
	Kuchynské drezy, vane v prácovníach a šachty, výpuste a výpustné otvory.	2 - 3 / 50 - 76	1/8 / 3,2 NPT	3/16 / 4,8	1/4 / 6,4
	Odtoky v sprchách a v podlahe, kanalizačné prípojky a lapače tuku.	3 - 4 / 76 - 101	1/4 / 6,4 NPT	1/4 / 6,4	1/2 / 13
	Prípojky a hlavné potrubia.	4 - 6 / 101 - 152	1/4 / 6,4 NPT	1/4 / 6,4	1/2 / 13
KJ-3100	Šachty, výpuste a výpustné otvory.	2 - 3 / 50 - 76	1/8 / 3,2 NPT	3/16 / 4,8	1/4 / 6,4
	Odtoky v podlahe, prípojky a lapače tuku.	3 - 4 / 76 - 101	1/4 / 6,4 NPT	3/8 / 9,5	5/8 / 16
	Prípojky a hlavné potrubia.	4 - 10 / 101 - 250	1/4 / 6,4 NPT	3/8 / 9,5	5/8 / 16

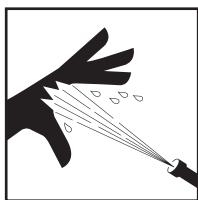
### TABUĽKA VÝBERU HUBÍC STROJA NA PREPLACHOVANIE

KJ-2200	Velkosť závit, " / mm	1/8 / 3,2 NPT	1/4 / 6,4 NPT
	Velkosť hadice (vnútorný priemer), " / mm	1/8 a 3/16 / 3,2 a 4,8	1/4 / 6,4
	Velkosť hadice (vonkajší priemer), " / mm	3/16 a 1/4 / 4,8 a 6,4	1/2 / 13
	Obsahuje tri protiprúdové trysky, ktoré vyvíjajú maximálnu silu na vlečenie hadice na dlhé vzdialenosti. Túto trysku používajte pri väčšine aplikácií.	<b>H-61</b>	<b>H-71</b>
Využíva tri protiprúdové trysky a jednu hubicu nasmerovanú dopredu, ktorá slúži na preniknutie cez tuhý kal alebo masť. Prúd vody v smere dopredu vyráza malý otvor v prekážke, cez ktorý môže prejsť hubica. Stroj je veľmi účinný aj na prerážanie ľadu.	<b>H-62</b>	<b>H-72</b>	
Využíva zalomenú hlavicu na prechod cez náročné ohyby. Táto hubica má tri protiprúdové trysky.	<b>H-64</b>		
Využíva rotačnú hubicu na očistenie odtoku od masťoty a podobných prekážok.	<b>H-65</b>	<b>H-75</b>	

	Velkosť závitů, " / mm	1/8 / 3,2 NPT	1/4 / 6,4 NPT
	Velkosť hadice (vnútorný priemer), " / mm	3/16 / 4,8	3/8 / 9,5
	Velkosť hadice (vonkajší priemer), " / mm	1/4 / 6,4	5/8 / 16
KJ-3100	Obsahuje štyri (4) protiprúdové trysky, ktoré vyvíjajú maximálnu silu na vlečenie hadice na dlhé vzdialenosti. Túto trysku používajte pri väčšine aplikácií.	H-101	H-111
	Využíva tri protiprúdové trysky a jednu hubicu nasmerovanú dopredu, ktorá slúži na preniknutie cez tuhý kal alebo masť. Prúd vody v smere dopredu vyráža malý otvor v prekážke, cez ktorý môže prejsť hubica. Stroj je veľmi účinný aj na prerážanie ľadu.	H-102	H-112
	Využíva zalomenú hlavicu na prechod cez náročné ohyby. Táto hubica má štyri (4) protiprúdové trysky.	H-104	
	Využíva rotačnú hubicu na očistenie odtoku od maziva a podobných prekážok.	H-105	H-115
	Používa sa na čistenie koreňov a iných typov prekážok.		
	POZNÁMKA! Pri čistení potrubí priemeru 8" / 200 mm použite nástavec na stabilizovanie RR3000.		RR3000

## Pokyny na obsluhu

### ⚠ VÝSTRAHA



Vždy používajte ochranné okuliare, ktoré zabránia vniknutiu nečistôt a iných cudzích predmetov do očí. Vždy používajte osobné ochranné prostriedky vhodné pre podmienky na vašom pracovisku.

Nikdy neprevádzkujte stroj na preplachovanie, ak sa koniec hadice nachádza mimo odtoku. Hadica sa môže prudko ohýbať, spôsobiť zranenia úderom a vystrekujúca voda môže preniknúť do pokožky a spôsobiť vážne zranenie.

Kvapalina pod vysokým tlakom môže preniknúť do pokožky a spôsobiť vážne zranenie, a prípadne aj amputáciu. Nesmerujte prúd vody na ľudí alebo zvieratá.

Stroj na preplachovanie neprevádzkujte pri vyššom ako menovitom tlaku alebo pri teplote nad 140°F / 60°C (teplota vody na vstupe). Tým sa zvyšuje riziko zranenia, popálenia a poškodenia stroja na preplachovanie.

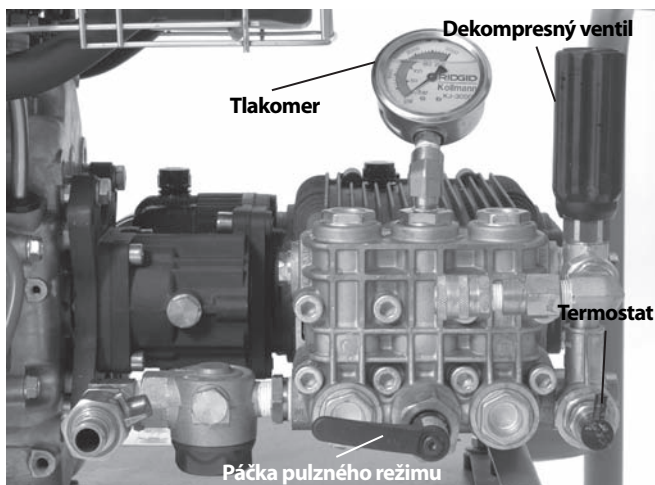
Jedna osoba musí ovládať proces preplachovania i nožný ventil. Vždy používajte nožný ventil. Ak sa hadica stroja dostane z odtoku, operátor musí byť schopný zastaviť prúd vody, aby tak znížil riziko švihania hadice stroja, ktorá by mohla spôsobiť zranenia úderom a prúdom vody pod vysokým tlakom.

Počas manipulácie a práce so zariadením na čistenie odtokov vždy používajte vhodné prostriedky osobnej ochrany. Odtoky môžu obsahovať chemikálie, baktérie a ďalšie látky, ktoré môžu byť toxické, nakažlivé, spôsobovať popáleniny alebo iné problémy. Súčasťou vhodných osobných ochranných prostriedkov sú vždy bezpečnostné okuliare a rukavice, prípadne latexové alebo gumové rukavice, ochranné rúška na tvár, ochranné okuliare, ochranný odev, respirátory a obuv s ocelovou špičkou.

Dodržiavajte prevádzkové pokyny, aby ste tak znížili riziko úrazov spôsobených švihajúcimi hadicami, vstreknutím kvapaliny pod vysokým tlakom, oxidom uhoľnatým, alebo inými príčinami.

1. Uistite sa, že stroj a pracovisko sú riadne pripravené a že na pracovisku sa nenachádzajú neoprávnené osoby, ani nič iné, čo by mohlo odpútať pozornosť. Ak sa stroj na preplachovanie nachádza ďalej od miesta používania, pri stroji musí dávať pozor iná osoba.
2. Zasuňte hadicu s pripojenou hubicou do odtoku aspoň do hĺbky troch stôp / 90 cm, aby sa koncovka kábla po naštartovaní stroja nevyvliekla z odtoku a nezačala švihnúť navôkol.
3. Uistite sa, že páčka pulzného režimu je otočená proti smeru hodinových ručičiek do polohy „Tlak“ (Obrázok č. 16).
4. Otvorte napájací ventil na privode. Nikdy nespúšťajte motor, ak je zapnutý privod vody. Môže to spôsobiť poškodenie čerpadla.
5. Stlačte nožný ventil, čím znížite tlak a umožníte naštartovanie motora. Uistite sa, že voda voľne prúdi cez hubicu. Naštartujte motor podľa pokynov na štartovanie uvedených v návode na obsluhu motora. Počkajte, kým sa motor ohreje.




**Obrázok č. 13 - Ovládacie prvky**

6. Zapnite dekompresný ventil a pozorujte tlakomer, aby ste mohli upraviť tlak podľa potreby (zvýšiť tlak pohybom v smere hodinových ručičiek, znížiť tlak pohybom proti smeru hodinových ručičiek). Dodržujte menovitý tlak stroja. Nepoužívajte násilie pri manipulácii s dekompresným ventilom, ani nepoužívajte maticové kľúče alebo nástroje na jeho otáčanie. Dekompresný ventil sa tak poškodí.

Stroj na preplachovanie	Menovitý tlak, PSI / bar
KJ-2200	2200 / 150
KJ-3100	3000 / 205

Ak v stroji na preplachovanie nevzniká menovitý tlak alebo ak tlak kolíše:

- Uistite sa, že škrtiaca klapka motora je správne nastavená.
- Uistite sa, že napájaci ventil na prívode je úplne otvorený a že ostatné ventily v systéme dodávky sú úplne otvorené.
- Otočte dekompresný ventil v smere hodinových ručičiek a tak zvýšte tlak. Nepoužívajte násilie.
- Uistite sa, že páčka pulzného režimu je prepnutá do polohy „Tlak“.
- Niekoľkokrát počas chodu stroja prepínajte páčku pulzného režimu medzi polohami „Tlak“ a „Pulz“, aby ste tak vypudili zo systému vzduch.
- Skontrolujte, či zo systému neunikajú kvapaliny. Počas kontroly buďte opatrní, aby ste zabránili úrazu. Ak nájdete úniky, najskôr stroj na preplachovanie VYPNITE a až potom ho začnite opravovať.
- Vypnite stroj na preplachovanie. Skontrolujte filter prívodu vody/podložku filtra a uistite sa, že sú zbavené odpadu.

- Uistite sa, že tok vody do stroja na preplachovanie je dostatočný.
- Vypnite stroj na preplachovanie a zavrite napájaci ventil na prívode. Vyberte hubicu a očistite otvory pomocou nástroja na čistenie hubice.
- Spustite stroj na preplachovanie bez hubice a vypustite zo systému vzduch, prípadne nečistoty. Pred odpojením alebo pripojením hubice vypnite stroj na preplachovanie.

#### 7. Zaujmite vhodnú prevádzkovú pozíciu.

- Uistite sa, že môžete nožný ventil zapínať a vypínať. Nožný ventil ešte nestláčajte.
- Udržujte stabilnú polohu a nenaťahujte sa príliš ďaleko.
- Počas práce musíte mať vždy možnosť jednou rukou uchopiť a podoprieť hadicu stroja na preplachovanie.
- Musíte mať možnosť dočiahnuť na cievku, aby ste mohli hadicu navinúť späť.

Táto prevádzková poloha umožní ovládať pohyb preplachovacej hadice.


**Obrázok č. 14 – Správna poloha počas prevádzky**




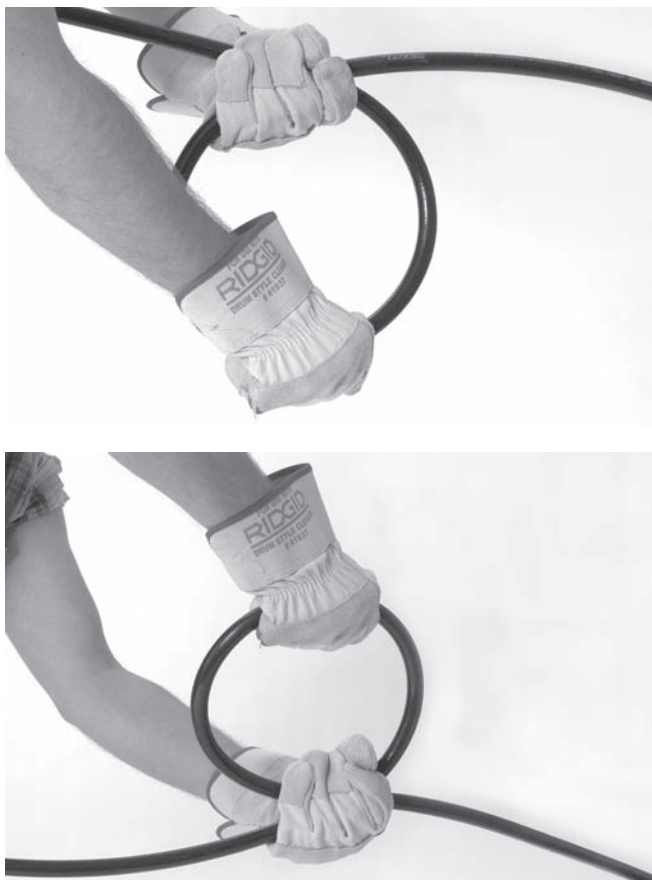
## Preplachovanie odtoku

Pri preplachovaní odtoku sa väčšinou celá dĺžka hadice zasunie do odtoku, ktorý sa vyčistí a potom sa hadica pomaly navíja späť. To umožní nasmerovať prúd vody pod tlakom na steny odtoku a tak odstrániť usadeniny.

Uvoľnite poistný čap na cievke s hadicou. Zasuňte aspoň tri stopy / 90 cm hadice do odtoku, uchopte hadicu jednou rukou, aby ste tak kontrolovali jej pohyb a potom stlačte nožný ventil. Na hubici sa nachádzajú protiprúdové trysky, ktoré pomáhajú vtáňovať hadicu do odtoku. Zasuňte hadicu do vzdialenosti, do ktorej treba odtok vyčistiť. Ak sa hadica zastaví, znamená to, že narazila na prekážku.

Ak hubica nedokáže prejsť cez prekážku, ako je napríklad zmena smeru (sifón, ohyb, atď.) alebo cez upchatie.

- Použite prudké pohyby hadice.
- Otočte hadicu o štvrt až pol celej otáčky do zmeneného smeru (Ak je hadica otočená, po prekonaní prekážky otočte hadicu späť, aby ste zabránili prelomeniu hadice) *Pozrite obrázok č. 15.*
- Použite pulzný režim.  (pozrite si nasledujúcu časť).
- Použite hadicu do sifónov alebo hadicu s menším priemerom.



Obrázok č. 15 – Otáčanie hadice

Po prekonaní prekážky najskôr vyčistíte túto časť odtoku a až potom zasúvajte hadicu ďalej do odtoku. Hadicu zasuňte niekoľko stôp za prekážku a pomaly ťahajte hubicu späť cez oblasť prekážky. Tento postup niekoľkokrát zopakujte a potom hadicu zasuňte hlbšie do odtoku.

Pozorujte hladinu vody v odtoku. Ak sa hladina vody príliš zvyšuje, možno bude treba VYPNÚŤ stroj na preplachovanie, nechať vodu odtečť a až potom pokračovať v práci. Preplachovanie je menej účinné, ak je potrubie plné vody. Nedovoľte, aby stroj na preplachovanie bol dlhší čas v prevádzke, ak je nožný ventil vypnutý. Ak je nožný ventil vypnutý, voda cirkuluje v čerpadle a zahrieva sa. To môže spôsobiť otvorenie termostatu čerpadla.

Po zasunutí hubice do požadovanej vzdialenosti v odtoku, pomaly (1' / 30 cm za minútu v prípade hrubých usadenín v odtoku) ťahajte hubicu von z odtoku. Jednou rukou držte hadicu a druhou navíjajte hadicu na cievku. Dávajte pozor, keď sa hubica bude dostávať bližšie k ústiu odtoku, aby sa hubica nevysunula z odtoku, keď voda ešte prúdi. Hadica by tak začala švihať naokolo a náraz, prípadne striekajúca voda pod vysokým tlakom by mohli spôsobiť zranenie. Pohyb hadice vždy kontrolujte. Dávajte pozor na značku na hadici blízko hubice. Uvoľnite nožný ventil, čím zastavíte prietok vody.

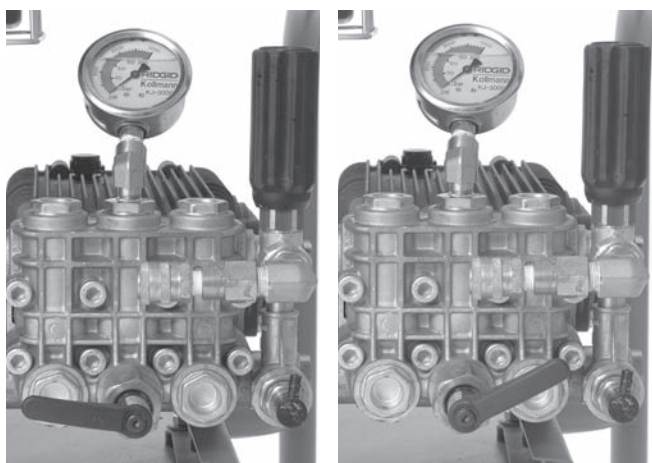
Vypnite motor podľa pokynov v návode na obsluhu motora a stlačením nožného ventilu znížte tlak v systéme. Nikdy nenechávajte systém pod tlakom. V prípade potreby vymeňte hubicu a podľa vyššie uvedeného postupu pokračujte v čistení. Odporúča sa niekoľkokrát hadicu zasunúť a vysunúť do odtoku, aby sa potrubie úplne vyčistilo.

Po skončení práce vypnite stroj na preplachovanie, potom vytiahnite hubicu a otvorte napájací ventil, čím prepláchnete čerpadlo a hadicu. Ak používate stroj na preplachovanie v studenom počasí, ihneď vypustite vodu zo systému, aby ste predišli poškodeniu zamrznutím. Pozrite si časť *Uskladnenie stroja*, kde sú uvedené informácie o ochrane pred zamrznutím.

## Používanie pulzného režimu

Ak hadica ani po ručnej manipulácii nedokáže prejsť cez potrubie so zmeneným smerom alebo cez prekážku, treba použiť pulzný režim. V pulznom režime sa používajú zmeny tlaku vody, ktoré spôsobujú vibráciu hadice a teda i jej pohyb dopredu.

1. Otočte páčku pulzného režimu v smere hodinových ručičiek do polohy „Pulz“. V pulznom režime tlakomer ukazuje nižší ako menovitý tlak. Ide o normálnu činnosť systému.



TLAK

PULZ

**Obrázok č. 16 – Poloha páčky pulzného režimu**

2. V prípade potreby použite prudké pohyby a otáčanie hubice, aby ste tak pomohli hubici preraziť prekážku.
3. Po prechode cez prekážku otočte páčku pulzného režimu proti smeru hodinových ručičiek do polohy „Tlak“. Nenechávajte stroj na preplachovanie v pulznom režime dlhšie ako je nevyhnutné na pranie prekážky. Nadmerné používanie pulznej funkcie môže spôsobiť predčasné opotrebovanie hadíc a systému.

### Používanie stroja na preplachovanie ako tlakovej čističky

So súpravou na tlakové umývanie možno používať stroje na preplachovanie RIDGID aj ako tlakové čističky. Používanie stroja na tlakové umývanie je podobné ako pri preplachovaní odtokov a pokyny na prevádzku sa musia dodržiavať spolu s nižšie uvedenými pokynmi.

1. Lokalizujte vhodné pracovisko.
2. Uistite sa, že všetky zariadenia boli náležite skontrolované.
3. Pripojte umývaci pištoľ k umývacej hadici. Vždy používajte hadicu, ktorá je dimenzovaná najmenej na rovnako vysoký tlak ako menovitý tlak stroja na preplachovanie. Použite závitové tesnenie, aby ste zabránili únikom.
4. Pripojte hadicu do odtoku na stroji na preplachovanie. Uistite sa, že konce hadice sú pevne pripojené, aby nedošlo k ich odpojeniu pod tlakom.
5. Stroj na preplachovanie pripojte na vhodný prívod vody podľa vyššie uvedeného.

6. Otvorte napájací ventil na prívode a stlačte spínač na umývacej pištoľi, aby mohla začať voda prúdiť a aby ste vypudili vzduch zo systému. Nikdy nespúšťajte motor, ak je zapnutý prívod vody. Môže to spôsobiť poškodenie čerpadla.
7. Uistite sa, že páčka pulzného režimu je otočená proti smeru hodinových ručičiek do polohy „Tlak“.
8. Nastavenie hubice umývacej pištole - otáčaním hubice možno nastaviť režim umývania od tenkého prúdu až po široký sprej. Ťahom hubice dopredu (nízky tlak) a dozadu (vysoký tlak) možno nastaviť tlak. Pred začiatkom prevádzky sa uistite, že hubica je zatiahnutá dozadu do polohy vysokého tlaku.



**Obrázok č. 17 – Nastavenia hubice umývacej pištole**

9. Zablokovanie umývacej pištole - na zadnej strane spínača umývacej pištole sa nachádza poistka. Posunutím poistky nadol zastavíte činnosť spínača, keď sa umývacia pištoľ nepoužíva.
10. Namierte pištoľ bezpečným smerom, stlačte spínač pištole, aby ste znížili tlak a naštartujte motor. Naštartujte motor podľa pokynov na štartovanie uvedených v návode na obsluhu motora. Počkajte, kým sa motor ohreje. Spínač ihneď uvoľnite po naštartovaní motora.
11. Namierte umývaci pištoľ bezpečným smerom a stlačte spínač pištole. Otáčajte dekompresný ventil, zároveň sledujte tlakomer a nastavte požadovaný tlak. Dodržujte menovitý tlak stroja. Uvoľnite spínač umývacej pištole.

### Prevádzka tlakovej umývačky

1. Pri prevádzke v režime tlakovej umývačky oboma rukami uchopíte umývaci pištoľ a namierte ju v požadovanom smere. Nikdy mierte umývacou pištoľou na iné osoby. Kvapalina pod vysokým tlakom môže preniknúť do pokožky a spôsobiť vážne zranenie. Nikdy nemierte umývacou pištoľou na elektrické zariadenia alebo káble, aby ste zmenšili riziko zásahu elektrickým prúdom.
2. Prietok vody ovládajte spínačom. Pri používaní umývacej pištole buďte opatrní. Nepribližujte sa s hubicou príliš blízko k umývanému povrchu, aby ste nepoškodili povrch. Činnosť umývačky si vyskúšajte na malom, skrytom mieste a overte si, či umývačka bude fungovať podľa vašich požiadaviek.

3. Nedovoľte, aby stroj na preplachovanie bol dlhší čas v prevádzke, ak je spínač vypnutý. Ak je spínač vypnutý, voda cirkuluje v čerpadle a zohrieva sa. To môže spôsobiť otvorenie termostatu čerpadla.
4. Po skončení tlakového umývania uvoľnite spínač a vypnite motor podľa pokynov v návode na obsluhu motora. Stlačením spínača znížte tlak v systéme. Nikdy nenechávajte systém pod tlakom.

### Injektor čistiaceho prostriedku

1. V prípade potreby pripojte injektor čistiaceho prostriedku na vývod stroja. Vyberte výstupnú hadicu a pripojte injektor čistiaceho prostriedku tak, aby šípka na zariadení ukazovala v smere toku vody. Použitie závitové tesnenie, aby ste zabránili úniku. Znovu pripojte výstupnú hadicu.
2. Pripojte sifónovú hadicu k injektoru čistiaceho prostriedku. Zasuňte koniec hadice s filtrom do zásobníka čistiaceho prostriedku. Používajte iba čistiace prostriedky určené pre tlakové umývačky. Dodržujte všetky pokyny na používanie čistiaceho prostriedku. Nerozstrekujte horľavé kvapaliny alebo toxické chemikálie. Iné čistiace prostriedky, rozpúšťadlá, čističe, atď., môžu poškodiť stroj na preplachovanie alebo spôsobiť vážne zranenie.
3. Pri tlakovom umývaní sa čistiace prostriedky dávajú len vtedy, keď je hubica umývacej pištole nastavená do polohy nízkeho tlaku. Potiahnite hubicu dopredu do polohy nízkeho tlaku, čím sa začne dávkovať čistiaci prostriedok.
4. Počas činnosti možno upraviť množstvo dávkovania čistiaceho prostriedku otáčaním objímky na injektore čistiaceho prostriedku. Otáčaním proti smeru hodinových ručičiek sa množstvo čistiaceho prostriedku zvyšuje a otáčaním v smere hodinových ručičiek sa množstvo znižuje.
5. Po dokončení aplikácie čistiaceho prostriedku vyberte filter z hadice, vložte ho do nádoby s čistou vodou a systém prepláchnite vodou, aby ste vyplavili zvyšky čistiaceho prostriedku.

### Pokyny na údržbu

#### **⚠ VÝSTRAHA**

**Pred vykonávaním akejkoľvek údržby musí byť spínač motora prepnutý do polohy OFF (Vypnutý) a káble sviečok musia byť odpojené, aby sa motor náhodne nenaštartoval. Stlačte nožný ventil alebo umývaciu pištoľ a tak znížte prípadný zvyškový tlak kvapaliny v systéme.**

**Počas vykonávania údržby vždy používajte bezpečnostné okuliare a rukavice, aby ste sa chránili pred chemikáliami a baktériami v odtoku.**

### Čistenie

Hadicu očistite podľa potreby horúcou mydlovou vodou a/alebo dezinfekčnými prostriedkami. Nedovoľte, aby voda prenikla do motora alebo do elektrického systému. Zariadenie nečistite tlakovou umývačkou. Zariadenie poutierajte vlhkou utierkou.

### Motor

Údržbu motora vykonávajte podľa pokynov v návode na obsluhu motora, ktorý sa dodáva spolu s motorom.

### Mazanie čerpadla

Pred použitím skontrolujte množstvo oleja v čerpadle. Umiestnite stroj na preplachovanie na rovný povrch. Okolie mierky očistite od odpadu a špiny a vyťahnite mierku. Skontrolujte hladinu oleja. V prípade potreby doplňte olej SAE 30W bez prídavku čistiacich prostriedkov. Nedoplňajte viac oleja ako je potrebné. Znovu zložte mierku oleja.

Vymeňte olej v čerpadle po prvých 50 hodinách prevádzky a potom vždy po 500 hodinách prevádzky. Keď je čerpadlo ešte zohriate po skončení činnosti, vyberte zátku v spodnej časti čerpadla a vypusťte olej do vhodnej nádoby. Zátka znovu zložte. Doplnite približne 32 oz / 0,9 kg oleja SAE 30W bez prídavku čistiacich prostriedkov a pritom dodržujte postup kontroly.

### Mazanie prevodovky

Pred použitím skontrolujte množstvo oleja v prevodovke. Umiestnite stroj na preplachovanie na rovný povrch. Okolie mierky očistite od odpadu a špiny a vyťahnite mierku. Skontrolujte hladinu oleja. V prípade potreby doplňte prevodový olej SAE 90W. Nedoplňajte viac oleja ako je potrebné. Znovu zložte mierku oleja.

Vždy po 500 hodinách prevádzky vymeňte olej v prevodovke. Keď je prevodovka ešte zohriata po skončení činnosti, vyberte zátku v spodnej časti prevodovky a vypusťte olej do vhodnej nádoby. Zátka znovu zložte. Doplnite približne 8 oz / 0,2 kg prevodového oleja SAE 90W a pritom dodržujte postup kontroly.

### Príprava čerpadla na uskladnenie v studenom počasí

**POZNÁMKA** Ak stroj na preplachovanie treba uskladniť pri teplote tesne nad alebo pod 32°F / 0°C, stroj treba riadne pripraviť. Čerpadlo sa môže poškodiť, ak v ňom zamrzne voda.

Existujú dve metódy prípravy čerpadla na uskladnenie v studenom počasí. Pri prvej metóde treba otvoriť všetky ventily v systéme a použiť stlačený vzduch na vypudenie vody zo systému. Táto metóda sa dá použiť aj na vypudenie vody z hadíc.

Pri druhej metóde sa používa nemrznúca zmes RV (nemrznúca zmes bez obsahu etylénglykolu). V čerpadle stroja na preplachovanie nepoužívajte nemrznúcu zmes na báze etylénglykolu. V systémoch na čistenie odtokov sa nesmie používať etylénglykol.

1. Na napájací ventil na privode pripojte kus hadice s dĺžkou 3' / 90 cm a otvorte ventil.
2. Zasuňte druhý koniec hadice do zásobníka s nemrznúcou zmesou typu RV.
3. Vyberte hubicu z konca hadice.
4. Naštartujte stroj na preplachovanie a nechajte ho bežať dovtedy, kým nemrznúca zmes nezačne vytekať z konca hadice.

## Príslušenstvo

### ⚠ VÝSTRAHA

**Na zníženie rizika vážnych zranení používajte len príslušenstvo špeciálne navrhnuté a odporúčané pre použitie so strojmi na preplachovanie RIDGID, ako uvádza nasledujúci zoznam. Iné príslušenstvo vhodné pre použitie s inými nástrojmi môže byť pri použití so strojmi na preplachovanie RIDGID nebezpečné.**

## Hubice a hadice pre stroj na preplachovanie KJ-2200

Katalógové č.	Model -č.	Popis	Vnút. priemer hadice " / mm	Vonk. priemer hadice " / mm
64772	H-61	Hnacia tryska	1/8" / 3,2 mm NPT	
64777	H-62	Penetračná hubica	Určená pre hadicu 1/4" / 6,4 mm	
64782	H-64	Hubica so zalomenou koncovkou		
82842	H-65	Rotačná hubica 2200		
64787	H-71	Hnacia tryska	1/4" / 6,4 mm NPT	
64792	H-72	Penetračná hubica	Určená pre hadicu 1/2" / 13 mm	
82852	H-75	Rotačná hubica 2200		
47592	H-1425	1/4" x 25' / 6,4 mm x 7,6 m	3/16 / 4,8	1/4 / 6,4
47597	H-1435	1/4" x 35' / 6,4 mm x 10,7 m	3/16 / 4,8	1/4 / 6,4
47602	H-1450	1/4" x 50' / 6,4 mm x 15,2 m	1/4" / 6,4 mm hadica do sifónov	3/16 / 4,8
49272	H-1475	1/4" x 75' / 6,4 mm x 22,9 m	Oranžová	3/16 / 4,8
49277	H-1400	1/4" x 100' / 6,4 mm x 30,5 m		3/16 / 4,8
64732	H-1415	1/4" x 150' / 6,4 mm x 45,7 m		3/16 / 4,8
50002	HL-1	Pružná zavádzacia časť, 1/4" / 6,4 mm	1/8 / 3,2	3/16 / 4,8
50007	HL-2	Pružná zavádzacia časť, 1/2" / 13 mm	1/8 / 3,2	3/16 / 4,8
47607	H-1250	1/2" x 50' / 13 mm x 15,2 m	1/4 / 6,4	1/2 / 13
47612	H-1275	1/2" x 75' / 13 mm x 22,9 m	1/4 / 6,4	1/2 / 13
47617	H-1200	1/2" x 100' / 13 mm x 30,5 m	1/4 / 6,4	1/2 / 13
51587	H-1211	1/2" x 110' / 13 mm x 33,5 m	1/2" / 13 mm trysková hadica	1/4 / 6,4
49487	H-1215	1/2" x 150' / 13 mm x 45,7 m	Čierna	1/4 / 6,4
51597	H-1220	1/2" x 200' / 13 mm x 61 m		1/4 / 6,4

## Príslušenstvo k stroju na preplachovanie KJ-2200

Katalógové č.	Model -č.	Popis
62882	H-5	Minicievka na hadicu (dodáva sa bez hadice)
64737	H-30	Vozík H-30 s cievkou na hadicu
62877	H-30 WH	Vozík H-30 s cievkou na hadicou a tryskovou hadicou 110' / 33,5 m x 1/2" / 13 mm
64077	HP-22	Súprava na tlakové umývanie, KJ-2200
64767	HW-22	Umývacia pištoľ, KJ-2200
51572	H-1235	Hadica umývacej pištole 1/2" / 13 mm x 35' / 10,7 m
48157	FV-1	Nožný ventil
66732	HF-4	Rýchloupínacia hadica
48367	H-25	Zimná súprava
47542	H-21	Nástroj na čistenie hubice
67187	H-32	Jet Vac



## Hubice a hadice pre stroj na preplachovanie KJ-3100

Katalógové č.	Model -č.	Popis	Vnút. priemer hadice " / mm	Vonk. priemer hadice " / mm
38698	H-101	Hnacia tryska	1/8" / 3,2 mm NPT	
38713	H-102	Penetračná hubica	Určená pre hadicu 1/4" / 6,4 mm	
38703	H-104	Hubica so zalomenou koncovkou		
38723	H-105	1/8" / 3,2 mm NPT rotačná hubica		
38693	H-111	Hnacia tryska	1/4" / 6,4 mm NPT	
38708	H-112	Penetračná hubica	Určená pre hadicu 3/8" / 9,5 mm	
38718	H-1155	1/4" / 6,4 mm NPT rotačná hubica		
16713	RR3000	Hubica Root Ranger		
47592	H-1425	1/4" / 6,4 mm x 25' / 7,6 m hadica do sifónov	3/16 / 4,8	1/4 / 6,4
47597	H-1435	1/4" / 6,4 mm x 35' / 10,7 m hadica do sifónov	3/16 / 4,8	1/4 / 6,4
47602	H-1450	1/4" / 6,4 mm x 50' / 15,2 m hadica do sifónov	3/16 / 4,8	1/4 / 6,4
49272	H-1475	1/4" / 6,4 mm x 75' / 22,9 m hadica do sifónov	3/16 / 4,8	1/4 / 6,4
49277	H-1400	1/4" / 6,4 mm x 100' / 30,5 m hadica do sifónov	3/16 / 4,8	1/4 / 6,4
64732	H-1415	1/4" / 6,4 mm x 150' / 45,7 m hadica do sifónov	3/16 / 4,8	1/4 / 6,4
64827	H-3835	3/8" / 9,5 mm (vnút. priemer) x 35' / 10,7 m umývacia hadica	3/8 / 9,5	5/8" / 16
64832	H-3850	3/8" / 9,5 mm (vnút. priemer) x 50' / 15,2 m trysková/umývacia hadica	3/8 / 9,5	5/8" / 16
64837	H-3810	3/8" / 9,5 mm (vnút. priemer) x 100' / 30,5 m trysková hadica	3/8 / 9,5	5/8" / 16
64842	H-3815	3/8" / 9,5 mm (vnút. priemer) x 150' / 45,7 m trysková hadica	3/8 / 9,5	5/8" / 16
64847	H-3820	3/8" / 9,5 mm (vnút. priemer) x 200' / 61 m trysková hadica	3/8 / 9,5	5/8" / 16
64852	H-3825	3/8" / 9,5 mm (vnút. priemer) x 250' / 76,2 m trysková hadica	3/8 / 9,5	5/8" / 16
64857	H-3830	3/8" / 9,5 mm (vnút. priemer) x 300' / 91,4 m trysková hadica	3/8 / 9,5	5/8" / 16

## Príslušenstvo k stroju na preplachovanie KJ-3100

Katalógové č.	Model -č.	Popis
62882	H-5	Minicievka na hadice
64862	H-38	Cievka na hadice (určená pre KJ-3100)
64902	H-38 WH	Cievka na hadice s hadicou 200' / 61 m x 3/8" / 9,5 mm (vnút. priemer) (určená pre KJ-3100)
64797	HW-30	Umývacia pištoľ, KJ-3100
48367	H-25	Zimná súprava
48157	FV-1	Nožný ventil
66732	HF-4	Rýchlopínacia hadica (cievka - nožný ventil)
47542	H-21	Nástroj na čistenie hubice
67187	H-32	Jet Vac

## Skladovanie zariadenia

**⚠ VÝSTRAHA** Stroj na preplachovanie skladujte v dobre vetranom priestore chránenom pred dažďom a snehom. Stroj skladujte v uzamknutom priestore mimo dosahu detí a osôb, ktoré nie sú oboznámené s používaním strojov na preplachovanie. Tento stroj môže v rukách nezaškolených používateľov spôsobiť vážne zranenie. Informácie o uskladnení v studenom počasí si pozrite v časti *Údržba*. Špecifické informácie o uskladnení motora nájdete v návode na obsluhu motora.

## Servis a opravy

**⚠ VÝSTRAHA**

**Nesprávny servis alebo opravy môžu spôsobiť, že prevádzka stroja bude nebezpečná.**

V časti „Pokyny na údržbu“ nájdete pokyny na vykonávanie všetkých potrebných úkonov týkajúcich sa údržby tohto stroja. Akékoľvek problémy, ktoré nie sú popísané v tejto časti, môže vyriešiť iba technik autorizovaného servisu nástrojov RIDGID.

Nástroj je potrebné dopraviť do nezávislého autorizovaného servisného strediska pre nástroje RIDGID alebo do výrobného závodu.

Ak potrebujete informácie o vašom najbližšom nezávislom servisnom centre RIDGID alebo máte akékoľvek otázky týkajúce sa servisu alebo opravy:

- Kontaktujte svojho miestneho distribútora RIDGID.
- Navštívte webové lokality [www.RIDGID.com](http://www.RIDGID.com) alebo [www.RIDGID.eu](http://www.RIDGID.eu), kde získate informácie o miestnom kontaktnom bode pre výrobky značky RIDGID.
- Kontaktujte oddelenie technických služieb pre výrobky RIDGID prostredníctvom e-mailu [rttechservices@emerson.com](mailto:rttechservices@emerson.com) alebo (v USA a Kanade) volajte (800) 519-3456.

## Likvidácia

Časti stroja na preplachovanie obsahujú vzácne materiály, ktoré je možné recyklovať. Vo vašom okolí môžete nájsť firmy, ktoré sa špecializujú na recykláciu. Zlikvidujte všetky komponenty v súlade so všetkými príslušnými predpismi. Ak potrebujete viac informácií, obráťte sa na váš miestny úrad, ktorý riadi odpadové hospodárstvo.



**V krajinách ES:** Nezbavujte sa elektrického zariadenia spolu s domácim odpadom!

V súlade s Európskou smernicou 2002/96/ES o odpade z elektrických a elektronických zariadení a jej implementáciou do národných legislatív musia byť elektrické zariadenia, ktoré nie je možné ďalej používať, zozbierané a likvidované oddelene, environmentálne prijateľným spôsobom.

## Riešenie problémov

PROBLÉM	PRÍČINA	NÁPRAVA
Stroj na preplachovanie beží, ale nevzniká v ňom žiadny alebo len nízky tlak.	Nedostatočná dodávka vody.	Uistite sa, že ventil prívodu vody je <b>OTVORENÝ</b> . Uistite sa, že ventil prívodu vody na stroji na preplachovanie je <b>OTVORENÝ</b> . Uistite sa, že hadica prívodu vody nie je upchatá, prelomená alebo pomliaždená.
Stroj na preplachovanie po naštartovaní nedosiahne menovitý prevádzkový tlak.	V systéme sa nachádza vzduch. Protiprúdové trysky stroja na preplachovanie sú upchaté	Vyberte hubicu z hadice a nechajte bežať stroj na preplachovanie, aby ste tak zo systému vypudili vzduch/odpad. Vyberte hubicu a očistite otvory trysiek pomocou nástroja na čistenie hubice.
Hodnoty na tlakomere stroja na preplachovanie kolíšu od 500 do hodnoty menovitého tlaku počas prevádzky.	Protiprúdové trysky stroja na preplachovanie sú upchaté. V systéme sa nachádza vzduch alebo nečistoty.	Vyberte hubicu. Nástrojom na čistenie hubice vyčistíte otvory hubice: vyberte si správnu veľkosť drôtu a úplne ho pretlačte cez všetky otvory trysiek, aby ste odstránili nečistoty. Vyberte hubicu a do odtokového potrubia zasuňte preplachovaciu hadicu. Spustite stroj na preplachovanie, aby ste vypudili vzduch alebo nečistoty.

# Mașină cu jet de apă

## Mașini cu jet de apă KJ-2200/KJ-3100



KJ-3100



KJ-2200

### **⚠️ AVERTIZARE!**

Citiți cu atenție Manualul operatorului înainte de a utiliza acest instrument. Neînțelegerea și nerespectarea conținutului acestui manual poate cauza electrocutări, incendii și/sau accidentări grave.

### Mașini cu jet de apă KJ-2200/KJ-3100

Înregistrați seria de mai jos și rețineți seria produsului care se află pe placa de identificare.

Seria

--	--

## Cuprins

<b>Formular de înregistrare pentru seria mașinii</b> .....	285
<b>Simboluri de siguranță</b> .....	287
<b>Reguli generale de siguranță</b> .....	287
Siguranța în zona de lucru.....	287
Siguranța electrică .....	287
Siguranța individuală.....	287
Utilizarea și îngrijirea dispozitivului.....	288
Service .....	288
<b>Avertizări privind siguranța mașinii cu jet de apă</b> .....	288
<b>Descriere, specificații și echipamentul standard</b> .....	289
Descriere.....	289
Specificații.....	290
Pictograme .....	290
Echipamentul standard .....	290
<b>Asamblarea mașinii</b> .....	290
Uleiul de motor.....	290
Uleiul de pompă/reductor .....	290
Căruciorul pentru transport KJ-2200.....	291
Ansamblul mânerului KJ-3100.....	291
<b>Inspecția înainte de utilizare</b> .....	291
<b>Pregătirea mașinii și suprafeței de lucru</b> .....	293
Alimentarea cu apă .....	294
Pregătirea canalului.....	294
Pregătirea furtunului.....	295
DIAGRAMA DE SELECTARE A FURTUNULUI DE CURĂȚARE.....	296
DIAGRAMA DE SELECTARE A AJUTAJULUI MAȘINII CU JET .....	296
<b>Instrucțiuni de exploatare</b> .....	297
Curățarea cu jet a canalului.....	298
Utilizarea modului cu pulsații .....	299
Utilizarea mașinii cu jet de apă ca spălător sub presiune .....	300
Exploatarea spălătorului sub presiune .....	300
Injectorul de detergent.....	301
<b>Instrucțiuni pentru întreținere</b> .....	301
Curățarea .....	301
Motorul.....	301
Ungerea pompei.....	301
Ungerea reductorului.....	301
Pregătirea pompei pentru păstrarea pe vreme rece.....	302
<b>Accesorii</b> .....	302
<b>Păstrarea mașinii</b> .....	303
<b>Service și reparații</b> .....	303
<b>Dezafectarea</b> .....	303
<b>Depanarea</b> .....	304
<b>Garanție pe viață</b> .....	Coperta din spate

\* Traducere a instrucțiunilor originale



## Simboluri de siguranță

În acest manual de exploatare și pe produs, simbolurile de siguranță și cuvintele de semnalare sunt utilizate pentru a comunica informații importante privind siguranța. Acest capitol este prevăzut pentru a înțelege mai bine aceste cuvinte și simboluri de semnalare.



Acesta este simbolul de avertizare privind siguranța. Este utilizat pentru a vă avertiza cu privire la posibilele pericole de accidentare. Respectați toate mesajele de siguranță, care urmează după acest simbol pentru a evita posibilele accidente sau decesul.

### ⚠ PERICOL

Simbolul PERICOL indică o situație periculoasă care, dacă nu este evitată, va duce la deces sau la accidente grave.

### ⚠ AVERTIZARE

AVERTIZARE indică o situație periculoasă care, dacă nu este evitată, poate cauza deces sau accidente grave.

### ⚠ PRECAUȚIE

PRECAUȚIE indică o situație periculoasă care, dacă nu este evitată, ar putea cauza accidente minore sau moderate.

### NOTĂ

NOTĂ indică informații referitoare la protejarea proprietății.



Acest simbol înseamnă că trebuie să citiți cu atenție manualul operatorului înainte de a utiliza echipamentul pentru a reduce riscul de accidentare. Manualul operatorului conține informații importante referitoare la exploatarea sigură și corespunzătoare a echipamentului.



Acest simbol înseamnă că trebuie să purtați întotdeauna ochelari de protecție cu apărători laterale atunci când manevrați sau utilizați acest echipament pentru a reduce riscul accidentării ochilor.



Acest simbol indică riscul îndreptării apei presurizate spre corp, cauzând accidente prin perforarea și injectarea pielii.



Acest simbol indică riscul bătăii furtunului de curățare, și cauzării de accidente prin lovire sau injecție.



Acest simbol indică riscul inspirării monoxidului de carbon cauzatoare de greață, leșin sau deces.



Acest simbol indică riscul de incendiu și explozie din cauza benzinei sau a altor surse cauzând arsuri și alte accidente.

## Reguli generale de siguranță

### ⚠ AVERTIZARE

**Citiți și înțelegeți toate instrucțiunile. Nerespectarea tuturor instrucțiunilor prezentate mai jos poate cauza electrocutări, incendii și/sau accidente grave.**

### PĂSTRAȚI ACESTE INSTRUCȚIUNI!

#### Siguranța în zona de lucru

- **Mențineți zona de lucru curată și bine luminată.** Mesele de lucru înghesuite și zonele întunecoase favorizează accidentele.
- **Nu acționați echipamentele electrice în medii explozive, cum ar fi în prezența lichidelor, gazelor sau prafurilor inflamabile.** Unelte electrice produc scântei care pot aprinde praful sau vaporii.
- **Țineți la distanță trecătorii, copiii și vizitatorii în timp ce acționați echipamentul electric.** Distragera atenției poate cauza pierderea controlului.

#### Siguranța electrică

- **Evitați contactul corpului cu suprafețe împământate, precum țevile, radiatoarele, mașinile de gătit și frigiderul.** Riscul de electrocutare este mărit în cazul în care aveți corpul conectat la pământ.

#### Siguranța individuală

- **Fiți atent, uitați-vă la ceea ce faceți și folosiți bunul simț când exploatați un echipament electric. Nu utilizați echipamentul când sunteți obosit sau sub influența drogurilor, alcoolului sau medicamentelor.** Un moment de neatenție în timp ce exploatați echipamentele electrice poate avea drept rezultat accidente grave.
- **Îmbrăcați-vă adecvat. Nu purtați haine largi sau bijuterii. Acoperiți părul lung. Feriți-vă părul, îmbrăcămintea și mănușile de piesele în mișcare.** Hainele largi, bijuteriile sau părul lung pot fi prinse în piesele în mișcare.
- **Nu vă dezechilibrați. Mențineți permanent reazemul adecvat și echilibrul.** Reazemul și echilibrul adecvat oferă un control mai bun al echipamentului în situații neașteptate.

- **Utilizați echipamente de protecție.** Întotdeauna purtați echipament de protecție pentru ochi. Masca pentru praf, pantofii de protecție antidera-panți, casca sau protectoarele pentru auz, trebuie folosite în condiții adecvate pentru a reduce riscul de accidentare.

### Utilizarea și îngrijirea dispozitivului

- **Nu forțați dispozitivul. Utilizați dispozitivul corect pentru aplicația dvs.** Dispozitivul corect va executa mai bine și mai sigur lucrarea în condițiile pentru care a fost proiectat.
- **Nu folosiți echipamentul electric dacă întrerupătorul nu cuplează sau decuplează.** Orice unealtă, care nu poate fi controlată de întrerupător, este periculoasă și trebuie reparată.
- **Feriți de copii și de persoane neinstruite echipamentele care nu sunt în funcțiune.** Unele electrice sunt periculoase în mâinile utilizatorilor neinstruiți.
- **Întrețineți cu grijă dispozitivele. Mențineți sculele tăietoare ascuțite și curate.** Dispozitivele întreținute corespunzător, cu muchii tăietoare ascuțite, sunt mai puțin predispuse blocării și sunt mai ușor de controlat.
- **Controlați pentru a depista centrarea incorectă sau griparea pieselor în mișcare, spargerea pieselor și orice altă stare care ar putea afecta funcționarea dispozitivului. Dacă se deteriorează, dați dispozitivul la reparat înainte de utilizare.** Numeroase accidente sunt cauzate de echipamente slab întreținute.
- **Folosiți doar accesoriile recomandate de producător pentru modelul dvs.** Accesoriile adecvate pentru un dispozitiv pot deveni periculoase când sunt utilizate la altul.

### Service

- **Deservirea dispozitivului trebuie efectuată numai de personalul calificat pentru reparații.** Deservirea sau întreținerea efectuată de persoane ne-calificate pot cauza accidentări.
- **La deservirea dispozitivului utilizați numai piese de schimb identice. Urmați instrucțiunile din capitolul despre întreținere al acestui manual.** Utilizarea de piese neautorizate sau nerespectarea instrucțiunilor de întreținere poate crea un risc de electrocutare sau accidentare.

## Avertizări privind siguranța mașinii cu jet de apă

### ▲ AVERTIZARE

**Acest capitol conține informații importante despre siguranță, specifice acestui echipament.**

**Citiți cu atenție aceste atenționări înainte de a utiliza această mașină de desfundat canale pentru a reduce riscul de electrocutare sau de alte accidentări grave.**

### **PĂSTRAȚI TOATE AVERTIZĂRILE ȘI INSTRUCȚIUNILE PENTRU CONSULTARE ULTERIOARĂ!**

Păstrați acest manual în același loc cu mașina în vederea utilizării de către operator.

- **Nu acționați niciodată mașina cu jet cu furtunul scos din canal.** Furtunul poate sări, cauzând accidente prin lovire iar jetul poate penetra pielea cauzând accidente grave.
- **Apa presurizată poate fi injectată sub piele cauzând accidente grave, inclusiv amputare.** Nu pulverizați direct spre oameni sau animale.
- **Nu acționați mașina cu jet peste presiunea nominală sau 140°F / 60°C (temperatura la intrare apei).** Acest lucru sporește riscul de accidentare, inclusiv arsuri, și de deteriorare a mașinii cu jet.
- **O singură persoană trebuie să controleze atât procesul de curățare cu jet cât și ventilul de picior. Utilizați întotdeauna ventilul de picior.** Dacă furtunul de curățare iese din canal, operatorul trebuie să poată opri curgerea apei pentru a reduce riscul de bătaie a furtunului, care poate cauza accidente prin lovire și injectare la presiune înaltă.
- **Utilizați întotdeauna echipamente individuale de protecție adecvate în timpul manevrării și utilizării echipamentului de desfundat canale.** Canalul poate conține chimicale, bacterii și alte substanțe care pot fi toxice, pot cauza infecții, arsuri sau alte probleme. Echipamentul personal de protecție adecvat include întotdeauna ochelari de protecție și mănuși, și poate include de asemenea echipamente precum mănuși de latex sau de cauciuc, măști de protecție a feței, ochelari, îmbrăcăminte de protecție, aparate de respirație și bocanci de protecție.
- **Practicați igiena corespunzătoare. Utilizați apă caldă și săpun pentru a vă spăla mâinile și alte părți ale corpului expuse conținutului canalului după manipularea sau uzul echipamentului de desfundat canale.** Nu mâncați și nu fumați în timpul exploatării sau manevrării echipamentului de desfundat canale. Asta va preveni contaminarea cu materiale toxice sau infecțioase.

- **Nu pulverizați lichide toxice sau inflamabile.** Acest lucru va reduce riscul de arsuri, incendiu, explozie sau alte accidente.
- **Benzina și vaporii săi sunt deosebit de inflamabili și explozivi.** Vezi manualul motorului pentru precauții în vederea reducerii riscurilor de arsuri, explozii și accidente grave în timpul manipulării și utilizării benzinei.
- **Motoarele produc monoxid de carbon, un gaz toxic incolor, inodor. Inhalarea monoxidului de carbon poate cauza greață, leșin sau deces.** Nu porniți și nu exploatați motorul într-un spațiu închis, chiar dacă ușile și geamurile sunt deschise. Exploatați numai în exterior.
- **Suprafețele fierbinți pot cauza arsuri și incendiu.** Feriți corpul și materialele inflamabile de suprafețele fierbinți.
- **Citiți și înțelegeți acest manual, manualul motorului și avertizările și instrucțiunile pentru toate echipamentele utilizate cu acest dispozitiv înainte de a-l pune în funcțiune.** Nerespectarea tuturor avertismentelor și instrucțiunilor poate cauza pagube materiale și/sau accidente grave.

Declarația de conformitate CE (890-011-320.10) va însoți acest manual ca o broșură separată când e cazul.

Dacă aveți întrebări privind acest produs RIDGID®:

- Contactați distribuitorul local RIDGID.
- Vizitați [www.RIDGID.com](http://www.RIDGID.com) sau [www.RIDGID.eu](http://www.RIDGID.eu) pentru a găsi punctul dvs. local de contact RIDGID.
- Contactați Departamentul Serviciilor Tehnice RIDGID la [rttechservices@emerson.com](mailto:rttechservices@emerson.com), sau telefonați în S.U.A. și Canada la (800) 519-3456.

## Descriere, specificații și echipamentul standard

### Descriere

Mașinile cu jet de apă RIDGID® acționate de motor sunt mașini portabile cu jet de apă presurizată concepute să utilizeze combinația de presiune și debit al apei pentru a elimina grăsimile, nămolul, și rădăcinile din canale. Un furtun foarte flexibil și ușor este propulsat prin canal de jeturile îndreptate înapoi ale ajutorului mașinii cu jet, iar când e recuperat curăță conducta, eliminând reziduurile prin spălare. Cu activarea pulsației cuplată, cotelile și sifoanele dificile sunt mai ușor de abordat. Toate mașinile sunt echipate cu un motor pe benzină pentru a acționa pompa triplex cu piston plonjor.

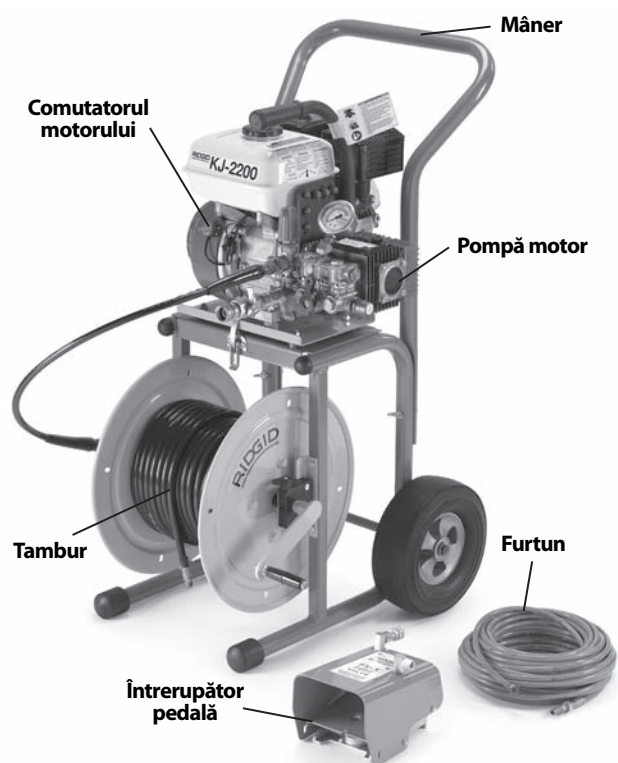


Figura 1 – Mașina cu jet de apă KJ-2200

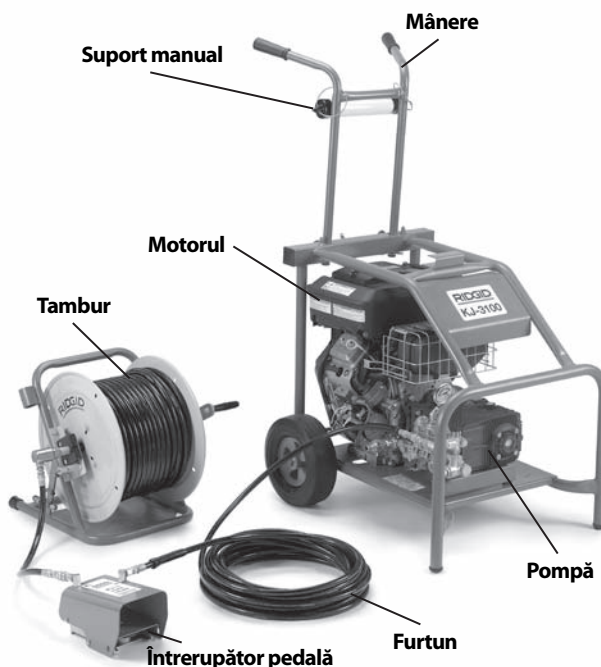


Figura 2 – Mașina cu jet de apă KJ-3100



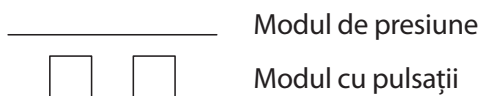
Figura 3 – Seria mașinii

Seria mașinii este plasată pe cadru. Ultimele 4 cifre indică luna și anul fabricației. (08 = luna, 10 = anul).

### Specificații

Model mașină cu jet	Motor H.P.	Presiune PSI / bar
KJ-2200	6.5 / 6,5	2200 / 150
KJ-3100	16	3000 / 205
Debit GPM / litri	Capacitatea conductei de canalizare inch / mm	Greutate (fără tamburul furtunului) lbs / kg
2.4 / 9	1 1/4 - 6 / 32 - 152	65 / 30
5.5 / 20	2 - 10 / 50 - 250	262 / 119

### Pictograme



### Echipamentul standard

Toate mașinile cu jet de apă se livrează cu

- Ajutaje adecvate pentru mașina cu jet
- Sculă de curățare a ajutajelor
- Ventil de picior FV-1
- Manualul de exploatare a motorului

Vezi catalogul RIDGID pentru echipamentele specifice furnizate cu fiecare număr de catalog.

**NOTĂ** Această mașină este destinată desfunderii canalelor. Dacă este utilizată corespunzător, nu va deteriora un canal aflat în stare bună și proiectat, construit și întreținut corespunzător. Când canalul este în stare proastă sau nu a fost proiectat, construit și întreținut corespunzător, procesul de desfunderare a canalului poate să nu fie eficientă sau poate cauza deteriorarea

canalului. Cel mai bun mod de a determina starea unui canal înainte de desfunderare este prin inspecție vizuală cu un videoreceptor. Utilizarea necorespunzătoare a acestei mașini cu jet poate deteriora mașina și canalul. Această mașină poate să nu înlătore toate infundările.

## Asamblarea mașinii

### ⚠️ AVERTIZARE

**Pentru a preveni accidentarea gravă în timpul utilizării și deteriorarea mașinii, urmați aceste proceduri pentru asamblarea corespunzătoare.**

### Uleiul de motor

**NOTĂ** Mașina cu jet este livrată fără ulei în motor. Exploatarea motorului fără ulei va cauza defectarea motorului. Adăugați ulei înainte de punerea în funcțiune. Vezi manualul de exploatare a motorului furnizat pentru informații specifice privind adăugarea și selecția uleiului.

### Uleiul de pompă/reductor

**Pompa:** Scoateți dopul din partea superioară a pompei și înlocuiți-l cu tija de nivel/bușonul de aerisire. Exploatarea mașinii cu jet cu dopul pus poate deteriora etanșările pompei. Controlați nivelul uleiului conform capitolului cu instrucțiuni de întreținere.

**Reductorul (numai KJ-3100):** Înlocuiți dopul din partea superioară a pompei cu tija de nivel/bușonul de aerisire. Exploatarea mașinii cu jet cu dopul pus poate deteriora etanșările reductorului. Controlați nivelul lubrifiantului conform capitolului cu instrucțiuni de întreținere.

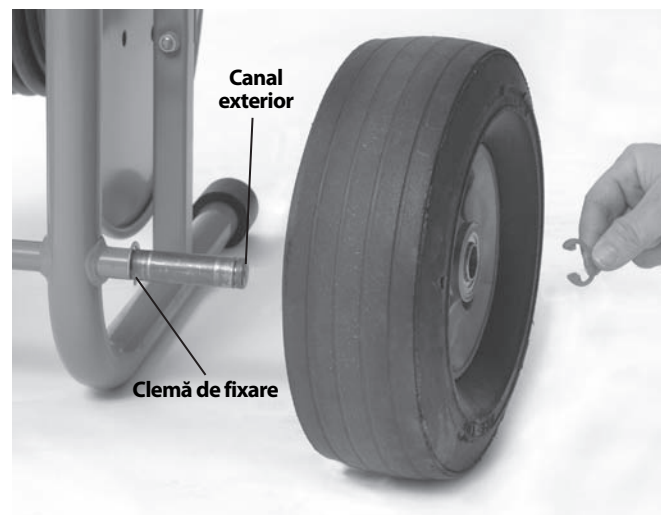


Figura 4 – Asamblarea KJ-2200



### Căruciorul pentru transport KJ-2200

1. Instalați clema de fixare în canalul interior de la fiecare capăt al axului. (Vezi figura 4.)
2. Glisați o roată pe fiecare capăt al axului.
3. Instalați clema de fixare în canalul exterior de la fiecare capăt al axului pentru a fixa roata.
4. Utilizați șuruburile de suport furnizate și piulițele fluture pentru a fixa mânerul pe cadru.
5. Ridicați ansamblul motor/pompă pe cărucior, aliniind orificiile din placa de bază cu bolțurile din partea de sus a căruciorului. Utilizați opritoarele de pe cărucior pentru a fixa motorul/pompa. Asigurați-vă că ansamblul este fixat strâns.

### Ansamblul mânerului KJ-3100

1. Introduceți mânerul prin cele două orificii din bara transversală a cadrului. (Vezi figura 5.)
2. Introduceți un cui spintecat prin orificiile din partea de jos a mânerului pentru a preveni smulgerea mânerului.
3. Înșurubați butoanele în formă de teu în bara transversală din spate. Reglați mânerul după dorință și strângeți butoanele pentru a fixa mânerul.

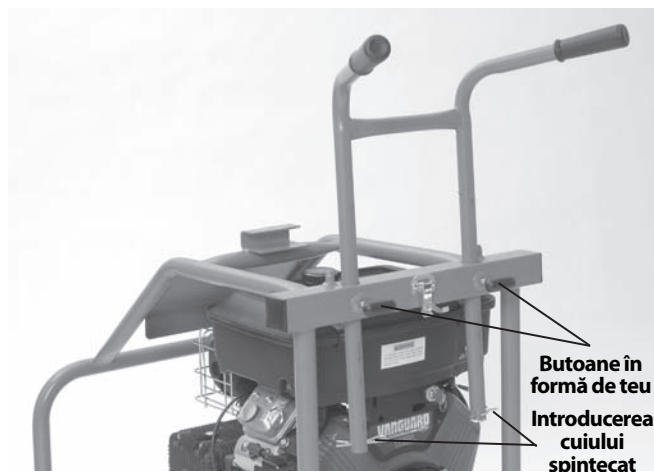
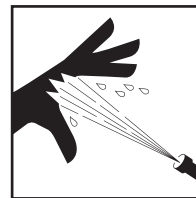


Figura 5 - Montarea mânerului KJ-3100

### Inspekția înainte de utilizare

#### ⚠ AVERTIZARE



**Înainte fiecărei utilizări, controlați mașina cu jet de apă și corectați toate problemele pentru a reduce riscul de accidentare din cauza apei presurizate sau a altor cauze și pentru a preveni defectarea mașinii.**

**Purtați întotdeauna ochelari de protecție, mănuși și alte echipamente de protecție adecvate când inspecțiați mașina cu jet pentru a vă proteja împotriva chimicalelor și bacteriilor de pe echipament.**

1. Asigurați-vă că comutatorul/cheia de contact a motorului este în poziția OFF (decuplat).
2. Curățați complet uleiul, unsoarea sau murdăria de pe dispozitiv, incluzând manetele și comenzile. Aceasta ajută inspekția și ajută la prevenirea scăpării de sub control a mașinii sau comenzilor.
3. Inspektați mașina cu jet de apă și accesoriile pentru următoarele:
  - Asamblare corectă și integralitate.
  - Piese defecte, uzate, lipsă, nealiniat, gripate sau slăbite.
  - Prezența și lizibilitatea etichetelor de avertizare. (Vezi figura 6.)
  - Orice altă stare care ar putea împiedica exploatarea normală și în condiții de siguranță.

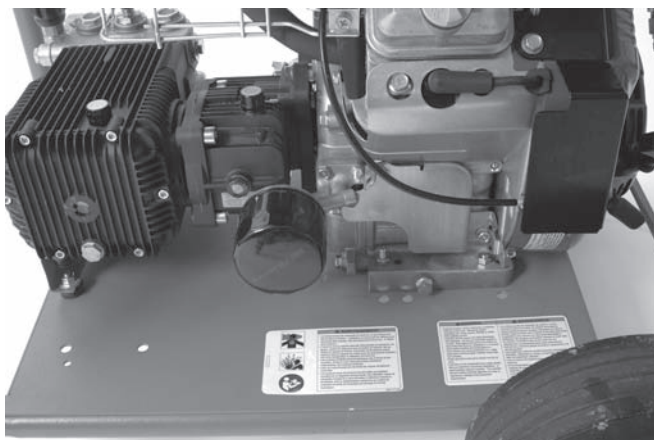
Dacă apar probleme, nu utilizați mașina cu jet de apă până nu au fost remediate problemele respective.



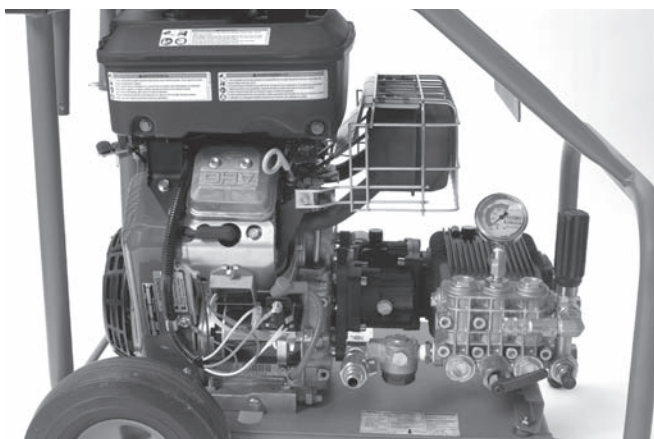
Figura 6A - Etichete de avertizare KJ-2200



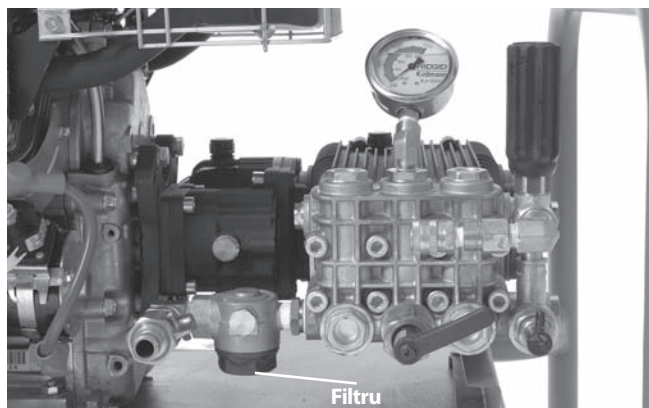
**Figura 6B – Etichete de avertizare KJ-2200**



**Figura 6C – Etichete de avertizare KJ-3100**



**Figura 6D – Etichete de avertizare KJ-3100**



**Figura 7 – Filtrul pe admisie/spălătorul filtrului**

5. Inspectați orificiile ajutorajelor mașinii cu jet pentru deteriorări sau obturații. Înfundările pot fi eliminate cu o sculă de curățare a ajutorajelor. Fiți atent să nu lărgiți orificiile ajutorajului în timpul curățării. Ajutajele deteriorate sau cu orificii lărgite pot diminua performanța mașinii cu jet și trebuie înlocuite.
6. Inspectați furtunurile, conecțiile și armăturile pentru uzură și deteriorări. Dacă există răsuciri, fisuri, rupturi sau uzură la mantaua exterioară a furtunului sau alte deteriorări, nu folosiți furtunul. Furtunurile avariate se pot sparge sau pot avea scăpări de apă presurizată, cauzând accidente grave. Furtunurile și armăturile de schimb trebuie să aibă presiunea nominală egală sau mai mare cu cea a mașinii cu jet.
7. Inspectați și întrețineți motorul conform manualului de exploatare a motorului.
8. Verificați nivelul carburantului în motor. Pentru KJ-3100, deconectați zăvorul tamburului furtunului și rotiți tamburul furtunului înainte până se așează pe cadru pentru a asigura accesul la bușonul de alimentare cu benzină a motorului *figura 8*. Dacă e cazul, adăugați benzină fără plumb. Vezi manualul de exploatare a motorului pentru detalii. Fiți atent la manipularea benzinei. Realimentați cu carburant într-o zonă bine ventilată. Nu supraîncărcați rezervorul și nu vărsați carburantul. Asigurați-vă că ați închis cum trebuie bușonul rezervorului.

4. Curățați filtrul pe admisia apei/spălătorul filtrului. Deșurubați capacul de la fund al filtrului pe admisie pentru a-l curăța. Murdăria și reziduurile pot restrânge curgerea apei spre pompă, cauzând probleme de performanță.

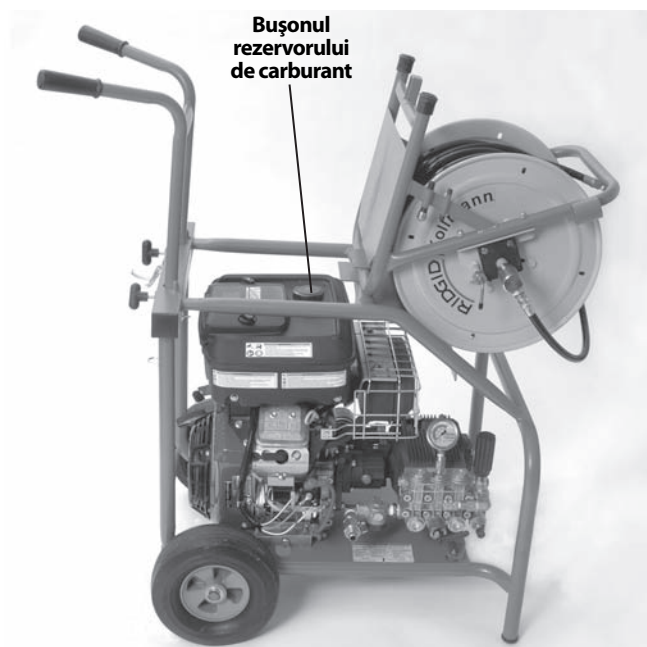


Figura 8 – Accesul la rezervorul de carburant al KJ-3100

9. Verificați nivelul uleiului în pompă și reductor (dacă e cazul) și adăugați ulei dacă e necesar (vezi capitolul privind instrucțiunile pentru întreținere).

## Pregătirea mașinii și suprafeței de lucru

### ⚠️ AVERTIZARE



**Purtați întotdeauna ochelari de protecție, mănuși și alte echipamente de protecție adecvate când inspectați mașina cu jet pentru a vă proteja împotriva chimicalelor și bacteriilor de pe echipament. Încălțămintea cu talpă de cauciuc, antiderapantă împiedică alunecarea pe suprafețe ude.**

**Motoarele produc monoxid de carbon, un gaz toxic incolor, inodor. Inhalarea monoxidului de carbon poate cauza greață, leșin sau deces. Nu porniți și nu exploatați motorul într-un spațiu închis, chiar dacă ușile și geamurile sunt deschise. Exploatați numai în exterior.**

**Pregătiți mașina cu jet de apă și zona de lucru conform acestor proceduri pentru a reduce riscul de accidentare din cauza apei presurizate, arsurilor chimice, infecțiilor, monoxidului de carbon și altele, și pentru a preveni deteriorarea mașinii.**

1. Controlați zona de lucru pentru:
  - Iluminare adecvată.
  - Lichide, vapori sau prafuri inflamabile. Dacă sunt prezente, nu lucrați în zonă până nu au fost identificate sursele și remediate. Mașina cu jet nu este antideflagrantă și poate produce scântei.
  - Un loc curat, orizontal, stabil și uscat pentru mașină și operator. Dacă e nevoie, îndepărtați apa din zona de lucru. S-ar putea să fie nevoie să se pună jos lemne sau alte materiale de acoperire.
  - Amplasarea mașinii cu jet, adică într-o zonă din exterior bine ventilată. Nu plasați mașina cu jet în interior, chiar dacă ușile și geamurile sunt deschise. Mașina cu jet poate fi amplasată la distanță de punctul de utilizare.
  - Alimentare adecvată cu apă.
  - Cale liberă pentru a transporta mașina cu jet la locul de amplasare.
2. Inspectați canalul care urmează a fi desfundat. Pe cât posibil, determinați punctul(ele) de acces la canal, dimensiunea(ile) și lungimea(ile) canalului, distanța la rezervoare sau la conductele principale, natura înfundării, prezența unor chimicale de desfundat canale sau a altor chimicale, etc. Dacă sunt prezente chimicale în canal, este importantă înțelegerea măsurilor specifice de siguranță necesare pentru lucrul în prezența acelor chimicale. Pentru informațiile necesare, contactați fabricantul chimicalelor.
 

Dacă e necesar, îndepărtați accesoriile (closețe, etc.) pentru a permite accesul la canal. Nu introduceți furtunul printr-un accesoriu. Acest lucru ar putea deteriora furtunul și accesoriul.
3. Stabiliți care este echipamentul adecvat pentru aplicație. *Vezi capitolul Specificații* pentru informații despre aceste mașini cu jet de apă. Mașinile de desfundat canale pentru alte aplicații pot fi găsite consultând catalogul RIDGID, on-line la [www.RIDGID.com](http://www.RIDGID.com) sau [www.RIDGID.eu](http://www.RIDGID.eu).
4. Asigurați-vă că întregul echipament a fost inspectat în mod adecvat.
5. Evaluați zona de lucru și stabiliți dacă sunt necesare bariere pentru blocarea accesului trecătorilor. Trecătorii pot distra atenția operatorului. Dacă lucrați în apropierea zonelor de trafic, amplasați conuri reflectorizante sau alte bariere pentru avertizarea șoferilor.
6. Dacă e necesar, plasați capace protectoare în zona de lucru. Procesul de desfundare a canalului poate fi complex.
7. Duceți mașina cu jet în zona de lucru bine ventilată din exterior pe calea liberă. Dacă mașina trebuie ridicată, utilizați tehnici adecvate de ridicare. Fiți atent la

deplasarea echipamentului în sus și în jos pe scări, și țineți seama de pericolul de alunecare. Purtați încălțăminte corespunzătoare pentru a preveni alunecarea.

### Alimentarea cu apă

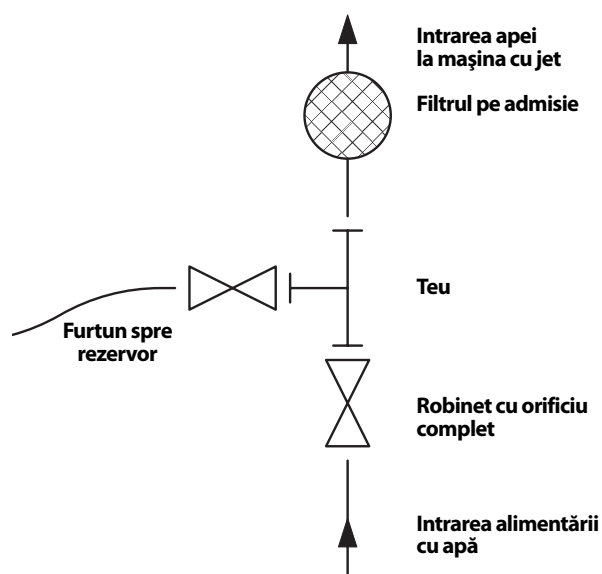
Confirmați că există debit suficient de apă pentru mașina cu jet. Trageți un furtun de la sursa de apă la mașina cu jet. Utilizați furtunul cu cel mai mare diametru și cea mai mică lungime posibilă. Un furtun cu diam. int. de  $\frac{3}{4}$ " / 19 mm este dimensiunea minimă recomandată. Pentru conformarea cu codurile și reglementările locale trebuie utilizat un dispozitiv corespunzător pentru prevenirea curgerii în sens invers. Porniți apa la sursă și măsurați timpul necesar pentru a umple o găleată curată de cinci galoane. *Vezi următorul tabel pentru timpii maximi de umplere a găleții pentru fiecare mașină cu jet.*

Mașina cu jet	Regim nominal GPM / litri	Timp maxim de umplere găleată de 5 Gallon / 18,9 litri
KJ-2200	2.4 / 9	125 secunde
KJ-3100	5.5 / 20	55 secunde

Debitul insuficient de apă nu va permite mașinii cu jet să ajungă la presiunea nominală, putând deteriora pompa. Controlați ca în apa din găleată să nu fie murdărie și reziduuri. Murdăria și reziduurile din sursa de apă pot cauza uzura excesivă a pompei, înfundarea filtrelor și ajutorajelor mașinii cu jet și scăderea performanței. Nu folosiți apă din iazuri, lacuri sau alte surse care pot fi contaminate.

În cazurile de debit insuficient de apă, soluțiile posibile includ utilizarea de armături ce permit racordarea mai multor furtunuri de alimentare la mașina cu jet sau utilizarea unui rezervor.

Dacă este utilizat un rezervor, instalați un teu cu robinete cu orificiu complet la admisia apei în mașina cu jet așa cum este prezentat în *figura 9*. Racordați un furtun de  $\frac{3}{4}$ " / 19 mm nu mai lung de 6 picioare / 1,8 m la robinetul de pe evacuarea teului, și racordați alimentarea cu apă la intrarea în teu. Plasați capătul furtunului în rezervor sau racordați-l la evacuarea rezervorului. Întreaga lungime a furtunului de la rezervor trebuie să fie cu nu mai mult de 5" / 12,7 cm deasupra admisiai apei în mașina cu jet, sau mașina cu jet nu va trage apă din rezervor.



**Figura 9 – Racordurile alimentării cu apă la utilizarea unui rezervor**

Umpleți rezervorul înainte de a porni mașina cu jet. Când porniți mașina cu jet, închideți robinetul rezervorului. Imediat după pornirea mașinii cu jet deschideți robinetul rezervorului. Urmăriți nivelul apei din rezervor, și dacă e cazul opriți curățarea cu jet pentru a permite reumplerea rezervorului. Nu lăsați ca nivelul apei să scadă sub capătul furtunului.

Pentru o curățare mai bună poate fi utilizată apă caldă. Nu folosiți apă mai caldă de 140°F / 60°C – acest lucru cauzând activarea protecției la suprasarcină termică a pompei. La folosirea apei calde, utilizați echipamentul individual de protecție corespunzător pentru a reduce riscul de arsuri.

La utilizarea pe vreme rece, luați măsuri de precauție pentru a preveni înghețarea apei în pompă. Acest lucru poate deteriora pompa.

Asigurați-vă că robinetul de alimentare pe admisia mașinii cu jet este închis și racordați furtunul de alimentare la mașina cu jet.

### Pregătirea canalului

Dacă lucrați printr-un cămin, colector de ape pluviale sau alt acces de dimensiuni mari, utilizați conducte și armături pentru a ghida furtunul de curățare de la deschizătura canalului până la punctul de lucru. Acest lucru va preveni bătaia furtunului de curățare în zona accesului, protejând furtunul de deteriorare.



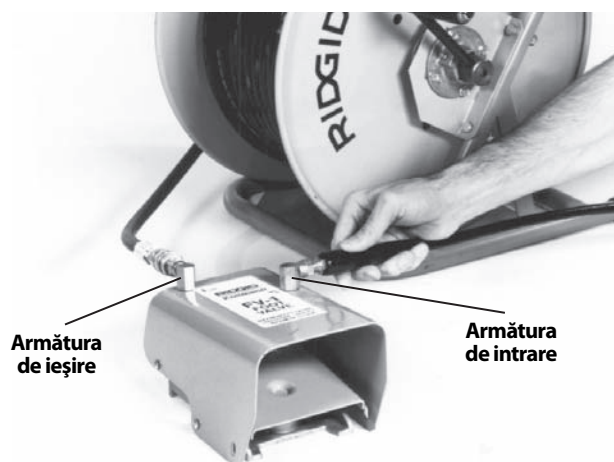


**Figura 10 – Extinderea deschizăturii canalului la punctul de lucru**

### Pregătirea furtunului

Procedați cu atenție când plasați furtunurile mașinii cu jet. Trecerea furtunurilor peste suprafețe aspre, muchii ascuțite, călcarea furtunurilor etc. poate deteriora mantaua furtunului, mai ales când mașina cu jet este utilizată în modul cu pulsații. Menținerea furtunului de curățare pe tambur ajută la minimizarea deteriorării furtunului.

1. Selectați o dimensiune de furtun de curățare adecvat canalului curățat. În general nu se recomandă racordarea a două furtunuri de curățat pentru curățarea canalelor. Racordul dintre două furtunuri este mai puțin flexibil și poate împiedica trecerea prin armături *Diagrama de selectare a furtunului de curățare*.
2. După caz, separați tamburul furtunului de ansamblul motor/pompă. Plasați tamburul furtunului la cel mult 3 picioare / 90 cm de deschiderea canalului. Nu lăsați prea mult din furtun în afara canalului pentru a preveni deteriorarea furtunului. Dacă tamburul furtunului nu poate fi plasat la mai puțin de 3 picioare / 90 cm de deschiderea canalului, prelungiți deschiderea canalului înapoi la tamburul furtunului cu țevi și armături având dimensiuni similare.
3. Treceți un furtun de la mașina cu jet la armătura IN de pe ventilul de picior. Utilizați bandă de teflon pentru etanșarea racordului. Poziționați ventilul de picior pentru accesibilitate. Trebuie să puteți controla furtunul de curățare și ventilul de picior.
4. Racordați furtunul de pe tambur la armătura OUT de pe ventilul de picior.



**Figura 11 – Racordarea ventilului de picior**

5. Însemnați furtunul de curățare lângă capăt pentru a indica apropierea ajutorului de deschizătura canalului când este retras. Acest lucru va preveni ieșirea ajutorului din canal și bătaia furtunului. Distanța depinde de configurația a canalului, dar trebuie să fie de cel puțin 4' / 1,2 m.
6. Scoateți ajutorul de pe capătul furtunului de curățare și plasați capătul furtunului de curățare în canal. Deschideți robinetul de alimentare pe admisie pentru a purja aerul și toate reziduurile din mașina cu jet și furtunuri. Lăsați apa să curgă cel puțin 2 minute.
7. Închideți ventilul de alimentare pe admisie.
8. Alegeți un ajutor. Utilizați ajutoare dimensionate special pentru mașina cu jet utilizată. Utilizarea unui ajutor incorect poate cauza slăbirea performanței (presiune joasă de lucru sau debit scăzut) sau poate deteriora mașina cu jet datorită presiunilor excesiv de mari. Asigurați-vă că orificiile ajutorului sunt curate și deschise. *Vezi Diagrama de selectare a ajutorului mașinii cu jet*.

Dacă utilizați ajutorul RR3000 pentru canale mai mari de 6" / 152 mm și până la 9" / 229 mm, trebuie utilizată extensia. Pentru canale de 6" / 152 mm și mai mici, nu este nevoie de extensie. Dacă e cazul, strângeți bine cu mâna extensia pe RR3000 – nu strângeți exagerat. Utilizarea ajutorului RR3000 într-o conductă mai mare de 6" până la 9" / 152 mm și până la 229 mm fără extensie, sau în conducte mai mari de 9" / 229 mm poate permite schimbarea direcției ajutorului în canal, ieșirea la utilizator și cauzarea de accidente grave (*figura 12*).

9. Prindeți strâns cu mâna ajutorul de capătul furtunului – nu strângeți exagerat. Strângerea exagerată a ajutorului poate deteriora ajutorul, cauzând diminuarea performanței.

10. Introduceți furtunul cu ajutorul prins în canal și deschideți robinetul de alimentare pe admisie. Confirmați că apa curge liber prin ajutoraj și închideți ventilul de alimentare pe admisie.

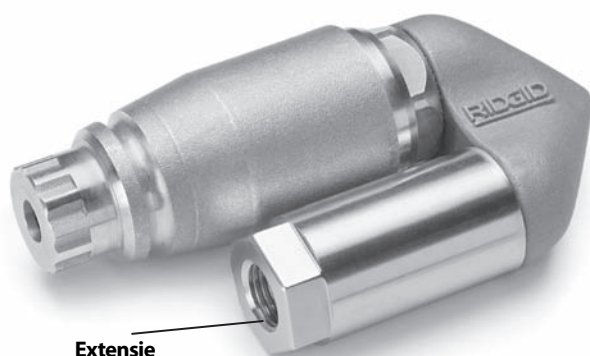


Figura 12 – Ajutaj RR3000 cu extensie

### DIAGRAMA DE SELECTARE A FURTUNULUI DE CURĂȚARE

Aplicații		Dimensiune țevă inch / mm	Dimensiune ajutaj inch / mm	Dimensiune furtun (diam.int.) inch / mm	Dimensiune furtun (diam.ext.) inch / mm
KJ-2200	Lavoare, pisoare, și conducte mici.	1 1/4 - 2 / 32 - 50	1/8 / 3,2 NPT	1/8 / 3,2	3/16 / 4,8
	Chiuvețe de bucătărie, căzi și colectoare de spălătorie, guri de purjare și canale de aerisire.	2 - 3 / 50 - 76	1/8 / 3,2 NPT	3/16 / 4,8	1/4 / 6,4
	Canale de scurgere pentru duș și pardoseală, conducte laterale și sifoane cu grăsimi.	3 - 4 / 76 - 101	1/4 / 6,4 NPT	1/4 / 6,4	1/2 / 13
	Conducte laterale și principale.	4 - 6 / 101 - 152	1/4 / 6,4 NPT	1/4 / 6,4	1/2 / 13
KJ-3100	Coșuri de tiraj, guri de purjare și canale de aerisire.	2 - 3 / 50 - 76	1/8 / 3,2 NPT	3/16 / 4,8	1/4 / 6,4
	Canale de scurgere pentru pardoseală, conducte laterale și sifoane cu grăsimi.	3 - 4 / 76 - 101	1/4 / 6,4 NPT	3/8 / 9,5	5/8 / 16
	Conducte laterale și principale.	4 - 10 / 101 - 250	1/4 / 6,4 NPT	3/8 / 9,5	5/8 / 16

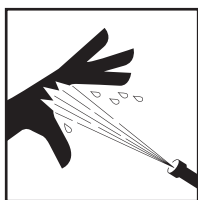
### DIAGRAMA DE SELECTARE A AJUTAJULUI MAȘINII CU JET

KJ-2200	Dimensiune filet, inch / mm	1/8 / 3,2 NPT	1/4 / 6,4 NPT
	Dimensiune furtun (diametru interior), inch / mm	1/8 & 3/16 / 3,2 & 4,8	1/4 / 6,4
	Dimensiune furtun (diametru exterior), inch / mm	3/16 & 1/4 / 4,8 & 6,4	1/2 / 13
	Este dotat cu trei orificii de jet de reacție îndreptate înapoi pentru o propulsie maximă în vederea spălării pe distanțe mari cu jet de apă. Utilizați acest ajutoraj pentru majoritatea aplicațiilor.	<b>H-61</b>	<b>H-71</b>
	Utilizează trei orificii de jet de reacție îndreptate înapoi, plus un orificiu îndreptat înainte pentru a penetra grăsimile solide sau înfundările cu nămol. Jetul îndreptat înainte creează un orificiu în înfundare prin care va trece ajutorajul. Este de asemenea foarte eficient la eliminarea înfundărilor cu gheață.	<b>H-62</b>	<b>H-72</b>
	Utilizați ajutorajul pliabil pentru a aborda coturile dificile. Acest ajutoraj are trei orificii de jet de reacție îndreptate înapoi.	<b>H-64</b>	
Utilizați ajutorajul rotitor pentru a curăța unsoarea și înfundările similare din canal.	<b>H-65</b>	<b>H-75</b>	

		Dimensiune filet, inch / mm	1/8 / 3,2 NPT	1/4 / 6,4 NPT
		Dimensiune furtun (diametru interior), inch / mm	3/16 / 4,8	3/8 / 9,5
		Dimensiune furtun (diametru exterior), inch / mm	1/4 / 6,4	5/8 / 16
KJ-3100	Este dotat cu patru (4) orificii de jet de reacție îndreptate înapoi pentru o propulsie maximă în vederea spălării pe distanțe mari cu jet de apă. Utilizați acest ajutoraj pentru majoritatea aplicațiilor.		H-101	H-111
	Utilizează trei orificii de jet de reacție îndreptate înapoi, plus un orificiu îndreptat înainte pentru a penetra grăsimile solide sau înfundările cu nămol. Jetul îndreptat înainte creează un orificiu în înfundare prin care va trece ajutorajul. Este de asemenea foarte eficient la eliminarea înfundărilor cu gheață.		H-102	H-112
	Utilizați ajutorajul pliabil pentru a aborda coturile dificile. Acest ajutoraj are patru (4) orificii de jet de reacție îndreptate înapoi.		H-104	
	Utilizați ajutorajul rotitor pentru a ajuta la curățarea unsorii și înfundărilor similare din canal.		H-105	H-115
	Utilizați pentru a elimina rădăcinile și alte feluri de înfundări. NOTĂ! Utilizați extensia pentru a stabili RR3000 când curățați canale cu diametrul de 8" / 200 mm.			RR3000

## Instrucțiuni de exploatare

### ⚠ AVERTIZARE



**Întotdeauna purtați ochelari de protecție pentru a vă apăra ochii de murdăria și alte obiecte străine. Purtați întotdeauna echipamente individuale de protecție adecvate pentru mediul de lucru.**

**Nu acționați niciodată mașina cu jet cu furtunul scos din canal. Furtunul poate sări, cauzând accidentări prin lovire iar jetul poate penetra pielea cauzând accidentări grave.**

**Apa presurizată poate fi injectată sub piele cauzând accidentări grave, inclusiv amputare. Nu pulverizați direct spre oameni sau animale.**

**Nu acționați mașina cu jet peste presiunea nominală sau 140°F / 60°C (temperatura la intrare apei). Acest lucru sporește riscul de accidentare, inclusiv arsuri, și de deteriorare a mașinii cu jet.**

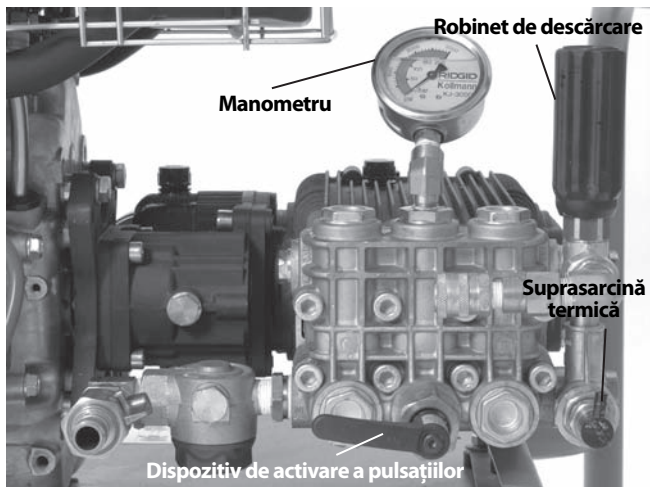
**O singură persoană trebuie să controleze atât procesul de curățare cu jet cât și ventilul de picior. Utilizați întotdeauna ventilul de picior. Dacă furtunul de curățare iese din canal, operatorul trebuie să poată opri curgerea apei pentru a reduce riscul de bătaie a furtunului, care poate cauza accidentări prin lovire și injectare la presiune înaltă.**

**Utilizați întotdeauna echipamente individuale de protecție adecvate în timpul manevrării și utilizării echipamentului de desfundat canale. Canalul poate**

**conține chimicale, bacterii și alte substanțe care pot fi toxice, pot cauza infecții, arsuri sau alte probleme. Echipamentul personal de protecție adecvat include întotdeauna ochelari de protecție și mănuși, și poate include de asemenea echipamente precum mănuși de latex sau de cauciuc, măști de protecție a feței, ochelari, îmbrăcăminte de protecție, aparate de respirație și bocanci de protecție.**

**Urmați instrucțiunile de exploatare pentru a reduce riscul de accidentare datorită bătaii furtunurilor, injectării de lichide presurizate, monoxidului de carbon și altor cauze.**

1. Asigurați-vă că mașina și zona de lucru au fost pregătite corespunzător, iar în zona de lucru nu sunt trecători sau alte motive de distragere a atenției. Dacă mașina cu jet este plasată la distanță de punctul de utilizare, o altă persoană trebuie plasată la mașina cu jet.
2. Introduceți furtunul cu ajutorajul cuplat în canal la cel puțin trei picioare astfel încât capătul furtunului să nu iasă din canal cu bătaie în jur când mașina este pornită.
3. Confirmați că maneta dispozitivului de activare a pulsațiilor este rotit în sens opus acelor de ceasornic în poziția "Presiune" (figura 16).
4. Deschideți robinetul de alimentare pe admisie. Nu porniți niciodată motorul fără a avea alimentarea cu apă pornită. Acest lucru poate deteriora pompa.
5. Apăsați ventilul de picior pentru a reduce presiunea și lăsați motorul să pornească. Confirmați că apa curge liber prin ajutoraj. Respectând instrucțiunile de pornire furnizate în manualul motorului, porniți motorul. Lăsați motorul să se încălzească.


**Figura 13 - Butoane de control**

6. Rotiți robinetul de descărcare urmărind manometrul pentru a potrivi presiunea după dorință (în sensul acelor de ceasornic pentru a mări presiunea, în sens opus acelor de ceasornic pentru a o micșora). Nu depășiți presiunea nominală a mașinii pe care o utilizați. Nu forțați robinetul de descărcare și nu utilizați chei sau unelte pentru a-l roti. Acest lucru va deteriora robinetul de descărcare.

Mașina cu jet	Presiune nominală, PSI / bar
KJ-2200	2200 / 150
KJ-3100	3000 / 205

Dacă mașina cu jet nu generează presiunea nominală sau funcționează neregulat:

- Asigurați-vă de reglarea corespunzătoare a clapetei motorului.
- Asigurați-vă că robinetul de alimentare pe admisie este complet deschis și că celelalte ventile ale sistemului de alimentare sunt complet deschise.
- Rotiți robinetul de descărcare în sensul acelor de ceasornic pentru a mări presiunea. Nu forțați.
- Asigurați-vă că dispozitivul de activare a pulsațiilor este pe setarea "Presiune".
- Alternați dispozitivului de activare a pulsațiilor între pozițiile "Presiune" și "Puls" de mai multe ori în timpul funcționării unității pentru a elimina tot aerul prins din sistem.
- Inspectați sistemul pentru scăpări. Fiți precaut în timpul inspecției pentru a preveni accidentarea. Dacă se constată scăpări, opriți mașina cu jet înainte de remediere.
- Opriți mașina cu jet. Controlați filtrul pe admisie/spălătorul filtrului și aveți grijă să fie lipsite de reziduuri.

- Asigurați-vă că există un debit adecvat de apă la mașina cu jet.
  - Opriți mașina cu jet și închideți robinetul de alimentare cu apă. Scoateți ajutorul și curățați orificiile cu scula de curățare a ajutorului.
  - Acționați mașina cu jet fără ajutor pe furtun pentru a îndepărta aerul sau reziduurile din sistem. Opriți mașina cu jet înainte de a scoate sau de a fixa ajutorul.
7. Poziționați-vă corect pentru lucru.
- Asigurați-vă că puteți controla acțiunea de oprire/pornire a ventilului de picior. Nu apăsați încă ventilul de picior.
  - Aveți grijă să aveți un echilibru bun și să nu fie nevoie să vă dezechilibrați.
  - Trebuie să puteți pune în orice moment o mână pe furtunul de curățare pentru a controla și sprijini furtunul.
  - Trebuie să puteți avea acces la tambur pentru a înfășura furtunul.
- Această poziție de exploatare vă ajută să mențineți controlul furtunului de curățare.


**Figura 14 - Poziția corectă de exploatare**


### Curățarea cu jet a canalului

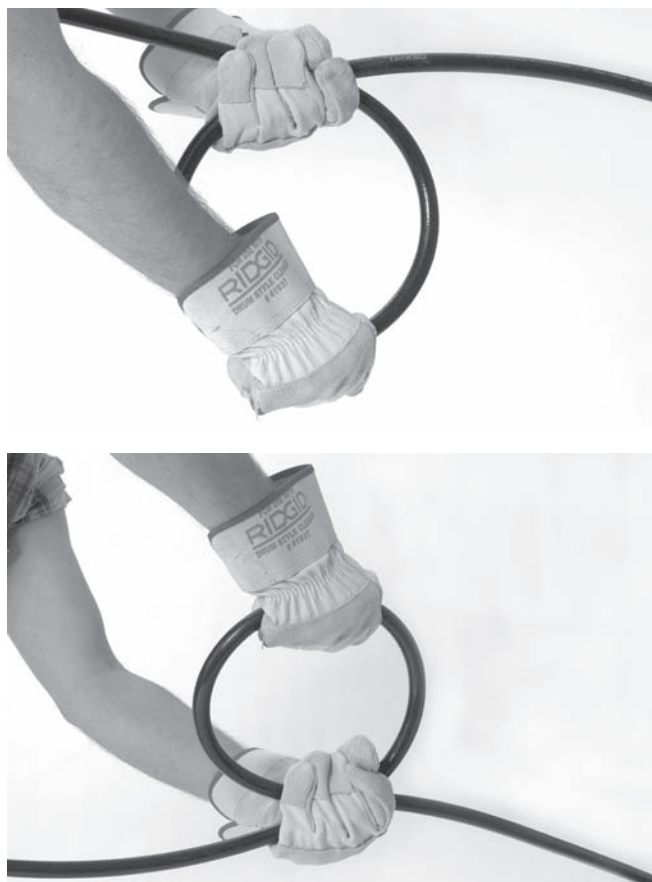
Când se curăță cu jet un canal, în mod tipic furtunul este introdus în canal pe toată distanța de curățat iar apoi este tras încet înapoi. Acest lucru permite apei presurizate îndreptate spre pereții canalului să îndepărteze depunerile.



Eliberați știftul de blocare de pe tamburul furtunului. Cu cel puțin trei picioare de furtun introdus în canal și cu o mână pe furtun pentru a-i controla mișcarea, apăsați ventilul de picior. Orificiile de jet de reacție îndreptate înapoi de pe ajutoraj ajută la tragerea furtunului în canal. Introduceți furtunul atât de departe cât trebuie curățat. Dacă furtunul se oprește, a dat de un obstacol.

Dacă ajutorajul nu poate trece de un obstacol, precum o schimbare de direcție (sifon, cot etc.) sau o înfundare.

- Împingeți brusc, repetați furtunul.
- Rotiți furtunul cu un sfert până la jumătate de tură pentru a orienta setul de furtun spre schimbarea de direcție. (Dacă furtunul a fost rotit, după ce a trecut de obstacol, rotiți-l înapoi pentru a preveni răsucirea) *Vezi figura 15.*
- Utilizați modul cu pulsații.  (vezi secțiunea următoare).
- Utilizați un furtun pentru sifon sau un furtun cu diametrul mai mic.



**Figura 15 – Rotirea furtunului**

După ce ați trecut de înfundare, curățați temeinic acea secțiune a canalului înainte de a merge mai departe. Treceți cu mai multe picioare dincolo de zona obstaco-

lului și trageți încet ajutorajul înapoi prin zona obstacolului. Faceți acest lucru de mai multe ori, apoi mergeți mai departe în canal.

Urmăriți nivelul apei în canal. Dacă nivelul apei crește prea mult, poate fi nevoie să opriți mașina cu jet și să permiteți apei să se scurgă înainte de a continua. Curățarea cu jet când conducta este plină cu apă este mai puțin eficientă decât când conducta este goală. Nu lăsați mașina cu jet să funcționeze un timp mai îndelungat cu ventilul de picior închis. Când ventilul de picior este închis, apa este recirculată în pompă supraîncălzindu-se. Acest lucru putând cauza activarea protecției la suprasarcină termică a pompei.

După ce ajutorajul a ajuns la distanța dorită în canal, trageți-l încet înapoi (1 ft / 30 cm pe minut pentru depuneri grele în canal) prin canal. Utilizați o mână pentru a controla furtunul și cealaltă mână pentru a înfășura furtunul pe tambur. Fiți atent ca la apropierea ajutorajului de deschizătura canalului, ajutorajul să nu iasă din canal în timp ce apa curge. Acest lucru ar putea permite bătăi ale furtunului, cauzând accidente prin lovire și datorită lichidului presurizat. Controlați mereu furtunul. Fiți atent la semnul de pe furtun de lângă ajutoraj. Eliberați ventilul de picior pentru a opri curgerea apei.

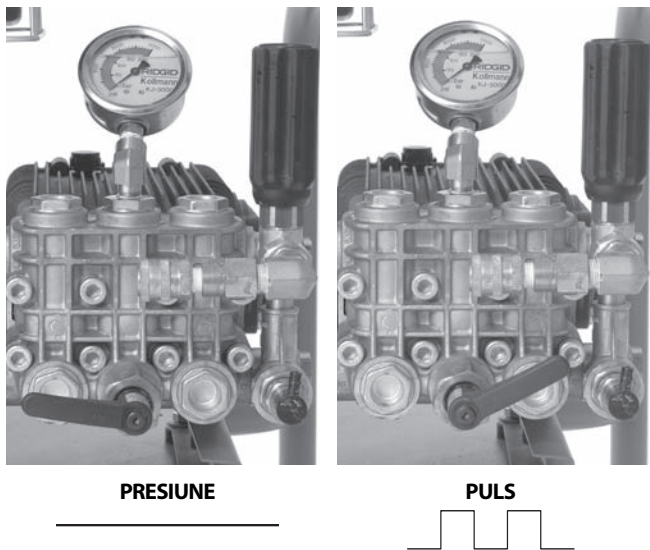
Opriti motorul conform indicațiilor manualului motorului, și apăsați ventilul de picior pentru a elibera presiunea din sistem. Nu lăsați niciodată sistemul presurizat. Dacă e cazul, înlocuiți ajutorajul și continuați curățarea conform procedurii de mai sus. Pentru desfundarea completă se recomandă mai multe treceri printr-o conductă.

La terminare, cu mașina cu jet oprită, scoateți ajutorajul și deschideți robinetul de alimentare pe admisie pentru a spăla pompa și furtunul. Dacă utilizați mașina cu jet pe vreme rece, evacuați imediat apa din sistem pentru a preveni deteriorările din cauza înghețului. *Vezi Păstrarea mașinii* pentru informații privind protecția împotriva înghețului.

### Utilizarea modului cu pulsații

Când manipularea furtunului nu este suficientă pentru a trece printr-un element de schimbare a direcției sau un obstacol, trebuie utilizat modul cu pulsații. Modul cu pulsații induce o variație mare a presiunii apei care cauzează vibrația furtunului, ușurând avansul furtunului.

1. Rotiți maneta dispozitivului de activare a pulsațiilor în sensul acelor de ceasornic la poziția "Puls". În modul cu pulsații, manometrul va indica mai puțin decât presiunea reală. Acest lucru este normal.



**Figura 16 – Poziția manetei dispozitivului de activare a pulsațiilor**

2. Dacă e cazul, împingeți brusc, repetat furtunul și rotiți-l pentru a ajuta trecerea ajutorului prin obstacol.
3. După ce s-a trecut de obstacol, rotiți maneta dispozitivului de activare a pulsațiilor în sens opus acelor de ceasornic la poziția "Presiune". Nu lăsați mașina cu jet în modul cu pulsații mai mult decât e necesar pentru a trece printr-un obstacol. Utilizarea excesivă a funcției cu pulsații poate cauza uzura prematură a furtunurilor și sistemului.

### Utilizarea mașinii cu jet de apă ca spălător sub presiune

Mașinile cu jet de apă RIDGID pot fi utilizate și ca spălătoare sub presiune cu adăugarea pachetului pentru spălare sub presiune. Utilizarea ca spălător sub presiune este similară utilizării ca mașină cu jet, și acele instrucțiuni trebuie utilizate împreună cu următoarele.

1. Localizați o zonă de lucru corespunzătoare.
2. Asigurați-vă că întregul echipament a fost inspectat în mod adecvat.
3. Branșați pistolul la furtunul pistolului de spălare. Utilizați întotdeauna un furtun cu presiunea nominală cel puțin egală cu presiunea nominală a mașinii cu jet. Utilizați un agent de etanșare pentru fileuri pentru a preveni scăpările.
4. Branșați furtunul la evacuarea mașinii cu jet. Asigurați-vă de conectarea strânsă a capetelor furtunului pentru a preveni deconectarea acestora sub presiune.
5. Racordați o sursă de alimentare cu apă, așa cum s-a discutat anterior, la mașina cu jet.

6. Deschideți robinetul de alimentare pe admisie și apăsați trăgaciul pistolului de spălare pentru a lăsa apa să curgă și purjați tot aerul din sistem. Nu porniți niciodată motorul fără a avea alimentarea cu apă pornită. Acest lucru poate deteriora pompa.
7. Aveți grijă ca maneta dispozitivului de activare a pulsațiilor să fie rotită în sens opus acelor de ceasornic în poziția "Presiune".
8. Reglajele ajutorului pistolului de spălare – Prin rotirea ajutorului, profilul spălării poate fi reglat de la un flux fin la o pulverizare de tip evantai larg. Prin tragera înainte (presiune joasă) și înapoi (presiune înaltă) a ajutorului, presiunea poate fi reglată. Asigurați-vă că ajutorul este tras înapoi la poziția de presiune înaltă pentru a pune în funcțiune.



**Figura 17 – Reglările ajutorului pistolului de spălare**

9. Deconectarea pistolului de spălare – pistolul de spălare include un întrerupător în spatele trăgaciului. Basculați în jos întrerupătorul pentru a împiedica acționarea trăgaciului când pistolul de spălare nu este utilizat.
10. Cu pistolul îndreptat într-o direcție nepericuloasă, apăsați trăgaciul pistolului pentru a reduce presiunea, permițând pornirea motorului. Respectând instrucțiunile de pornire furnizate în manualul motorului, porniți motorul. Lăsați motorul să se încălzească. Eliberați trăgaciul imediat ce motorul pornește.
11. Cu pistolul îndreptat într-o direcție nepericuloasă, apăsați trăgaciul pistolului. Rotiți robinetul de descărcare urmărind manometrul pentru a potrivi presiunea după dorință. Nu depășiți presiunea nominală a mașinii. Eliberați trăgaciul pistolului de spălare.

### Exploatarea spălătorului sub presiune

1. Când utilizați un spălător sub presiune, pentru un control mai bun folosiți ambele mâini pentru a ține și îndrepta pistolul de spălare. Nu îndreptați niciodată pistolul de spălare spre oameni. Apa presurizată poate fi injectată sub piele cauzând accidente grave. Nu îndreptați niciodată pistolul de spălare spre echipamentul electric sau cablaj pentru a evita riscul de electrocutare.
2. Controlați debitul apei cu trăgaciul. Procedați cu grijă când utilizați spălătorul sub presiune. Aducerea

ajutajului prea aproape de o suprafață o poate deteriora. Testați o zonă mică, ferită pentru a confirma configurările lucrării după dorință.

3. Nu lăsați mașina cu jet să funcționeze un timp mai îndelungat cu ventilul de picior închis. Când trăgaciul este decuplat, apa este recirculată în pompă supraîncălzindu-se. Acest lucru putând cauza activarea protecției la suprasarcină termică a pompei.
4. După finalizarea spălării sub presiune, eliberați trăgaciul și opriți motorul conform indicațiilor manualului motorului. Apăsăți trăgaciul pentru a elibera presiunea din sistem. Nu lăsați niciodată sistemul presurizat.

### Injectorul de detergent

1. Dacă e necesar, cuplați injectorul de detergent la ștuțul de evacuare. Îndepărtați furtunul de evacuare și cuplați injectorul de detergent cu săgeata de pe unitate îndreptată în aceeași direcție cu fluxul de apă. Utilizați un agent de etanșare pentru fileture pentru a preveni scăpările. Recuplați furtunul de evacuare.
2. Cuplați furtunul sifon la injectorul de detergent. Plasați capătul cu sită al furtunului în recipientul cu detergent. Utilizați numai detergenți destinați utilizării ca spălătoare sub presiune. Urmați toate instrucțiunile detergentului. Nu pulverizați lichide inflamabile sau chimicale toxice. Alți detergenți, solvenți, agenți de curățare etc. pot deteriora mașina cu jet, sau pot cauza accidente grave.
3. Când se execută o spălare sub presiune, detergenții sunt dozați numai când ajutorul pistolului de spălare este în poziția de presiune joasă. Trageți înainte ajutorul la poziția de presiune joasă pentru dozarea detergentului.
4. În timpul exploatării, viteza de aplicare a detergentului poate fi reglată prin rotirea manșonului de pe injectorul de detergent. În sens opus acelor de ceasornic mărește cantitatea de detergent, în sensul acelor de ceasornic o micșorează.
5. După ce aplicarea detergentului este finalizată, îndepărtați sita din detergent, plasați-o într-o găleată cu apă curată și spălați sistemul cu orice detergent.

## Instrucțiuni pentru întreținere

### ⚠ AVERTIZARE

**Înainte de a efectua orice lucrare de întreținere, comutatorul motorului trebuie să fie în poziția OFF (oprit) iar cablurile bujiilor trebuie deconectate pentru a preveni acționarea accidentală. Apăsăți ventilul de picior sau trăgaciul pistolului pentru a elibera orice presiune de lichid din sistem.**

**Purtați întotdeauna ochelari de protecție și mănuși la efectuarea oricărei lucrări de întreținere pentru a vă proteja împotriva chimicalelor și bacteriilor din canal.**

### Curățarea

Furtunul trebuie curățat după caz cu apă caldă cu săpun și/sau dezinfectanți. Nu lăsați apa să pătrundă în motor sau în sistemul electric. Nu curățați cu spălătorul sub presiune. Ștergeți unitatea cu o cârpă umedă.

### Motorul

Întrețineți motorul conform indicațiilor din manualul de exploatare a motorului furnizat cu unitatea.

### Ungerea pompei

Controlați nivelul uleiului din pompă înainte de utilizare. Plasați mașina cu jet pe o suprafață orizontală. Ștergeți toată murdăria și reziduurile din zona tijei de nivel și scoateți tija de nivel – controlați nivelul uleiului. Dacă e cazul, adăugați ulei SAE 30W nedetergent. Nu supraîncărcați. Reinstalați tija de nivel.

Schimbați uleiul în pompă după primele 50 de ore de funcționare și la fiecare 500 de ore de funcționare după aceea. Cu pompa caldă în urma funcționării, scoateți dopul din partea de jos a pompei și scurgeți uleiul într-un recipient adecvat. Puneți dopul la loc. Umpleți cu aproximativ 32 oz / 0,9 kg de ulei SAE 30W nedetergent utilizând procedura de control.

### Ungerea reductorului

Controlați nivelul uleiului din reductor înainte de utilizare. Plasați mașina cu jet pe o suprafață orizontală. Ștergeți toată murdăria și reziduurile din zona tijei de nivel și scoateți tija de nivel – controlați nivelul uleiului. Dacă e cazul, adăugați ulei de ungere angrenaje SAE 90W. Nu supraîncărcați. Reinstalați tija de nivel.

Schimbați uleiul în reductor la fiecare 500 de ore de funcționare. Cu reductorul cald în urma funcționării, scoateți dopul din partea de jos a reductorului și goliți uleiul într-un recipient adecvat. Puneți dopul la loc. Umpleți cu aproximativ 8 oz / 0,2 kg ulei de ungere angrenaje SAE 90W utilizând procedura de control.

## Pregătirea pompei pentru păstrarea pe vreme rece

**NOTĂ** Dacă mașina cu jet este păstrată în medii unde temperatura scade la 32°F / 0°C sau mai mult, mașina cu jet trebuie pregătită corespunzător. Dacă apă îngheață în pompă, o poate deteriora.

Există două metode de pregătire a mașinii cu jet pentru păstrarea pe vreme rece. Prima este prin deschiderea tuturor robinetelor din sistem și utilizarea de aer comprimat pentru a forța eliminarea apei din sistem. Ea poate fi utilizată și pentru îndepărtarea apei din furtunuri.

A doua metodă utilizează antigel RV (antigel fără etilenglicol). Nu folosiți antigel cu etilenglicol în pompa mașinii cu jet. Etilenglicolul nu poate fi utilizat în sistemele de canalizare.

1. Branșați o porțiune de furtun de 3' / 90 cm la robinetul de alimentare pe admisie și deschideți robinetul.
2. Plasați capătul furtunului în recipientul cu antigel RV.
3. Scoateți ajutorul de pe capătul furtunului.
4. Porniți mașina cu jet și lăsați-o să funcționeze până când la capătul furtunului iese antigel.

## Accesorii

### ⚠️ AVERTIZARE

**Pentru a reduce riscul de accidentări grave, utilizați numai accesorii proiectate și recomandate în mod special pentru a fi utilizate cu mașinile cu jet de apă RIDGID, precum cele prezentate mai jos. Alte accesorii adecvate pentru utilizarea cu alte dispozitive pot fi periculoase când sunt utilizate cu mașinile cu jet de apă RIDGID.**

## Ajutajul și furtunurile mașinii cu jet KJ-2200

Catalog nr.	Model nr.	Descriere	Diam. int. furtun		Diam. ext. furtun	
			inch / mm	inch / mm	inch / mm	inch / mm
64772	H-61	Ajutaj de propulsie				
64777	H-62	Ajutaj de penetrare				
64782	H-64	Ajutaj cu cap articulată				
82842	H-65	Ajutaj rotitor 2200				
64787	H-71	Ajutaj de propulsie				
64792	H-72	Ajutaj de penetrare				
82852	H-75	Ajutaj rotitor 2200				
47592	H-1425	1/4" x 25' / 6,4 mm x 7,6 m	3/16 / 4,8		1/4 / 6,4	
47597	H-1435	1/4" x 35' / 6,4 mm x 10,7 m	3/16 / 4,8		1/4 / 6,4	
47602	H-1450	1/4" x 50' / 6,4 mm x 15,2 m	3/16 / 4,8		1/4 / 6,4	
49272	H-1475	1/4" x 75' / 6,4 mm x 22,9 m	3/16 / 4,8		1/4 / 6,4	
49277	H-1400	1/4" x 100' / 6,4 mm x 30,5 m	3/16 / 4,8		1/4 / 6,4	
64732	H-1415	1/4" x 150' / 6,4 mm x 45,7 m	3/16 / 4,8		1/4 / 6,4	
50002	HL-1	Conductă de țevă flexibilă, 1/4" / 6,4 mm	1/8 / 3,2		3/16 / 4,8	
50007	HL-2	Conductă de țevă flexibilă, 1/2" / 13 mm	1/8 / 3,2		3/16 / 4,8	
47607	H-1250	1/2" x 50' / 13 mm x 15,2 m		1/4 / 6,4		1/2 / 13
47612	H-1275	1/2" x 75' / 13 mm x 22,9 m		1/4 / 6,4		1/2 / 13
47617	H-1200	1/2" x 100' / 13 mm x 30,5 m		1/4 / 6,4		1/2 / 13
51587	H-1211	1/2" x 110' / 13 mm x 33,5 m		1/4 / 6,4		1/2 / 13
49487	H-1215	1/2" x 150' / 13 mm x 45,7 m		1/4 / 6,4		1/2 / 13
51597	H-1220	1/2" x 200' / 13 mm x 61 m		1/4 / 6,4		1/2 / 13

## Accesoriile mașinii cu jet KJ-2200

Catalog nr.	Model nr.	Descriere
62882	H-5	Minitambur de furtun (fără furtun inclus)
64737	H-30	Cărucior H-30 tamburul furtunului
62877	H-30 WH	Cărucior H-30 cu tamburul furtunului și furtun de curățare de 110' / 33,5 m x 1/2" / 13 mm
64077	HP 22	Pachetul pentru spălare sub presiune, KJ-2200
64767	HW-22	Pistolet de spălare, KJ-2200
51572	H-1235	Furtunul pistolului de spălare 1/2" / 13 mm x 35' / 10,7 m
48157	FV-1	Ventil de picior
66732	HF-4	Furtun cu racordare rapidă
48367	H-25	Trusa de pregătire pentru iarnă
47542	H-21	Sculă de curățare ajutoraj
67187	H-32	Jet Vac



## Ajutajele și furtunurile mașinii cu jet KJ-3100

Catalog nr.	Model nr.	Descriere	Diam. int. furtun inch / mm	Diam ext. furtun inch / mm
38698	H-101	Ajutaj de propulsie	1/8" / 3,2 mm NPT	
38713	H-102	Ajutaj de penetrare	Se potrivește cu furtunul de 1/4" / 6,4 mm	
38703	H-104	Ajutaj cu cap articulată		
38723	H-105	Ajutaj rotitor NPT de 1/8" / 3,2 mm		
38693	H-111	Ajutaj de propulsie	1/4" / 6,4 mm NPT	
38708	H-112	Ajutaj de penetrare	Se potrivește cu furtunul de 3/8" / 9,5 mm	
38718	H-1155	Ajutaj rotitor NPT de 1/4" / 6,4 mm		
16713	RR3000	Ajutaj Root Ranger		
47592	H-1425	Furtun pentru sifon de 1/4" / 6,4 mm x 25' / 7,6 m	3/16 / 4,8	1/4 / 6,4
47597	H-1435	Furtun pentru sifon de 1/4" / 6,4 mm x 35' / 10,7 m	Furtun pentru sifon de 1/4" / 6,4 mm	3/16 / 4,8
47602	H-1450	Furtun pentru sifon de 1/4" / 6,4 mm x 50' / 15,2 m	Portocaliu	3/16 / 4,8
49272	H-1475	Furtun pentru sifon de 1/4" / 6,4 mm x 75' / 22,9 m		3/16 / 4,8
49277	H-1400	Furtun pentru sifon de 1/4" / 6,4 mm x 100' / 30,5 m		3/16 / 4,8
64732	H-1415	Furtun pentru sifon de 1/4" / 6,4 mm x 150' / 45,7 m		3/16 / 4,8
64827	H-3835	Furtun pentru spălare de 3/8" / 9,5 mm ID x 35' / 10,7 m		3/8 / 9,5
64832	H-3850	Furtun pentru jet/spălare de 3/8" / 9,5 mm ID x 50' / 15,2 m		3/8 / 9,5
64837	H-3810	Furtun de curățare de 3/8" / 9,5 mm diam.int. x 100' / 30,5 m	Furtun de curățare de 3/8" / 9,5 mm	3/8 / 9,5
64842	H-3815	Furtun de curățare de 3/8" / 9,5 mm diam.int. x 150' / 45,7 m	Negru	3/8 / 9,5
64847	H-3820	Furtun de curățare de 3/8" / 9,5 mm diam.int. x 200' / 61 m		3/8 / 9,5
64852	H-3825	Furtun de curățare de 3/8" / 9,5 mm diam.int. x 250' / 76,2 m		3/8 / 9,5
64857	H-3830	Furtun de curățare de 3/8" / 9,5 mm diam.int. x 300' / 91,4 m		3/8 / 9,5

## Accesoriiile mașinii cu jet KJ-3100

Catalog nr.	Model nr.	Descriere
62882	H-5	Minitambur de furtun
64862	H-38	Tamburul furtunului (se potrivește la KJ-3100)
64902	H-38 WH	Tamburul furtunului cu furtun de 200' / 61 m x 3/8" / diam. int. 9,5 mm (se potrivește cu KJ-3100)
64797	HW-30	Pistolet de spălare, KJ-3100
48367	H-25	Trusa de pregătire pentru iarnă
48157	FV-1	Ventil de picior
66732	HF-4	Furtun cu racordare rapidă (tambur la ventilul de picior)
47542	H-21	Sculă de curățare ajutat
67187	H-32	Jet Vac

## Păstrarea mașinii

**⚠️ AVERTIZARE** Păstrați mașina cu jet într-o zonă bine ventilată, protejată de ploaie și zăpadă. Păstrați mașina într-o zonă închisă, ferită de accesul copiilor și al persoanelor nefamiliarizate cu mașinile cu jet de apă. Această mașină poate cauza accidentări grave în mâinile utilizatorilor neinstruiți. Vezi *Capitolul întreținere* pentru informații privind păstrarea pe vreme rece. Vezi manualul de exploatare a motorului pentru informații specifice privind păstrarea motorului.

## Service și reparații

**⚠️ AVERTIZARE**

**Lucrările de service sau reparații necorespunzătoare pot face ca mașina să nu mai funcționeze în condiții de siguranță.**

"Instrucțiunile de întreținere" vor aborda majoritatea necesităților de deservire ale acestei mașini. Orice problemă care nu este abordată în acest capitol trebuie încredințată numai unui tehnician de service autorizat RIDGID.

Dispozitivul trebuie dus la un Centru de service independent autorizat RIDGID sau returnat la fabrică.

Pentru informații privind cel mai apropiat centru de service independent RIDGID sau pentru orice întrebări referitoare la lucrările de service sau reparații:

- Contactați distribuitorul dvs.local RIDGID.
- Vizitați [www.RIDGID.com](http://www.RIDGID.com) sau [www.RIDGID.eu](http://www.RIDGID.eu) pentru a găsi punctul dvs. local de contact RIDGID.
- Contactați Departamentul Serviciilor Tehnice RIDGID la [rtctechservices@emerson.com](mailto:rtctechservices@emerson.com), sau telefonați în S.U.A. și Canada la (800) 519-3456.

## Dezafectarea

Componentele mașinii cu jet de apă conțin materiale valoroase și pot fi reciclate. Există companii specializate în reciclare care pot avea reprezentanțe locale. Dezafecțați componentele în conformitate cu toate reglementările în vigoare. Contactați autoritățile locale de gestionare a deșeurilor pentru informații suplimentare.



**Pentru statele comunitare:** Nu aruncați echipamentele electrice împreună cu deșeurile menajere!

În conformitate cu Directiva Europeană 2002/96/CE privind deșeurile de echipamente electrice și electronice, și transpunerea acesteia în legislația națională, echipamentele electrice care nu mai pot fi folosite trebuie colectate și reciclate într-un mod nepoluant.

## Depanarea

PROBLEMA	CAUZĂ	REMEDIERE
<p><b>Mașina de curățat funcționează dar generează presiune scăzută sau nu generează presiune de loc.</b></p>	<p>Alimentare necorespunzătoare cu apă.</p>	<p>Asigurați-vă că robinetul de alimentare cu apă este <b>ON</b> (deschis).</p> <p>Asigurați-vă că robinetul de admisie a apei în mașina cu jet este <b>ON</b> (deschis).</p> <p>Controlați ca furtunul de alimentare cu apă să fie drept, să nu fie răsucit sau îndoit.</p>
<p><b>Mașina de curățat nu ajunge la presiunea de exploatare maximă după punerea în funcțiune.</b></p>	<p>Sistemul conține aer.</p> <p>Orificiile de antrenare a ajutorului de curățare sunt blocate</p>	<p>Scoateți ajutorul de pe furtunul de curățare și puneți în funcțiune mașina cu jet pentru a elimina aerul/reziduurile din sistem.</p> <p>Scoateți ajutorul și curățați orificiile de antrenare cu instrumentul de curățare a ajutorului.</p>
<p><b>Manometrul mașinii cu jet oscilează de la 500 la presiunea de exploatare maximă.</b></p>	<p>Orificiile de antrenare a ajutorului de curățare sunt infundate.</p> <p>Reziduuri sau aer în sistem.</p>	<p>Scoateți ajutorul. Utilizați scula de curățare a ajutorului pentru a curăța orificiile ajutorului: alegeți dimensiunea corespunzătoare de sârmă și treceți-l complet prin fiecare orificiu de antrenare pentru a îndepărta reziduurile.</p> <p>Scoateți ajutorul și introduceți furtunul de curățare în conducta de canalizare. Puneți în funcțiune mașina de curățat pentru a elimina aerul sau reziduurile rămase.</p>

# Vízfecskendező

## KJ-2200/KJ-3100 vízfecskendező gépek



KJ-3100



KJ-2200

### **⚠ FIGYELMEZTETÉS!**

A berendezés használata előtt figyelmesen olvassa el ezt az útmutatót. A figyelmeztetések és utasítások meg nem értése és be nem tartása áramütést, tüzet és/vagy súlyos sérülést okozhat.

### **KJ-2200/KJ-3100 vízfecskendező gépek**

Jegyezze fel és őrizze meg alább a sorozatszámot, melyet a termék adattábláján talál meg.

Sorozatsz.

--

## Tartalom

<b>A berendezés sorozatszámának rögzítésére szolgáló rész</b> .....	305
<b>Biztonsági szimbólumok</b> .....	307
<b>Általános biztonsági információk</b> .....	307
A munkaterület biztonsága.....	307
Elektromos biztonság.....	307
Személyes biztonság.....	307
A gép használata és karbantartása.....	308
Szerviz.....	308
<b>A vízfecskendező gépre vonatkozó biztonsági figyelmeztetések</b> .....	308
<b>Leírás, műszaki adatok és általános felszerelés</b> .....	309
Leírás.....	309
Műszaki adatok.....	310
Ikonok.....	310
Standard változat.....	310
<b>A gép összeszerelése</b> .....	310
Motorolaj.....	310
Szivattyú-/sebességváltó-olaj.....	310
KJ-2200 szállítókoszori.....	311
KJ-3100 karszerkezet.....	311
<b>Szemrevételezés a használat előtt</b> .....	311
<b>A gép és a munkaterület elrendezése</b> .....	313
Vízellátás.....	314
A lefolyó/csatorna előkészítése.....	314
A tömlő vezetése.....	315
TÖMLŐVÁLASZTÁSI TÁBLÁZAT.....	316
FÚVÓKA-VÁLASZTÁSI TÁBLÁZAT.....	316
<b>Használati utasítás</b> .....	317
A lefolyó vízfecskendezéses tisztítása.....	319
Az impulzusos üzemmód használata.....	319
A vízfecskendező gép használata nagynyomású mosóként.....	320
A nagynyomású mosó üzemeltetése.....	320
Mosószer-fecskendező.....	321
<b>Karbantartási útmutató</b> .....	321
Tisztítás.....	321
Motor.....	321
A szivattyú kenése.....	321
A sebességváltó kenése.....	321
A szivattyú előkészítése alacsony hőmérsékletű tároláshoz.....	321
<b>Tartozékok</b> .....	322
<b>A gép tárolása</b> .....	323
<b>Szerviz és javítás</b> .....	323
<b>Ártalmatlanítás</b> .....	323
<b>Hibaelhárítás</b> .....	324
<b>Örökgarancia</b> .....	Hátsó borító

\* Eredeti használati utasítás fordítása



## Biztonsági szimbólumok

Az üzemeltetési útmutatóban és a terméken szereplő biztonsági szimbólumok és jelzőszavak fontos biztonsági információk közlésére szolgálnak. Ez a rész ezen szimbólumok és jelzőszavak megértését segíti.



Ez a biztonsági figyelmeztető szimbólum. A szimbólum a lehetséges személyi sérülés kockázatára hívja fel a figyelmet. Az esetleges sérülések vagy halál elkerülésének érdekében tartsa be a szimbólumot követő biztonsági üzeneteket.

**▲ VESZÉLY** A VESZÉLY szó olyan kockázatos helyzetet jelöl, melyet ha nem kerülnek el, halállal vagy komoly sérülésekkel jár.

**▲ FIGYELMEZTETÉS** A FIGYELMEZTETÉS szó olyan kockázatos helyzetet jelöl, melyet ha nem kerülnek el, halállal, vagy komoly sérülésekkel járhat.

**▲ VIGYÁZAT** A VIGYÁZAT szó olyan kockázatos helyzetet jelöl, mely kisebb, mérsékelt sérülésekkel járhat.

**MEGJEGYZÉS** A MEGJEGYZÉS szó a vagyontárgyak védelmével kapcsolatos információkat jelöli.



Ez a szimbólum azt jelenti, hogy a sérülésveszély csökkentése érdekében figyelmesen olvassa el az üzemeltetési útmutatót a készülék használata előtt. A kezelési útmutató fontos információkat tartalmaz a készülék biztonságos és megfelelő használatával kapcsolatban.



Ez a szimbólum azt jelenti, hogy a szemsérülések elkerülésének érdekében mindig viseljen oldalárnyékolóval ellátott védőszemüveget vagy szemvédőt, amikor kezeli vagy használja a készüléket.



Ez a szimbólum a testrészekre irányított nagynyomású vízszugár által okozott bőrátlyukasztó és befecskendeződéses sérülések veszélyét jelzi.



Ez a szimbólum a csapkodó mozgásba kezdő, és ezzel ütéses vagy befecskendeződéses sérülést okozó vízfecskendező tömlő veszélyét jelzi.



Ez a szimbólum a belélegzett szénmonoxid által okozott hányinger, eszméletvesztés vagy halál veszélyét jelzi.



Ez a szimbólum a benzin vagy más anyag okozta tűz és robbanás, ill. az ebből eredő sérülések veszélyét jelzi.

## Általános biztonsági információk

### ▲ FIGYELMEZTETÉS

**Minden utasítást olvasson el. Az utasítások be nem tartása áramütést, tüzet és/vagy súlyos sérülést eredményezhet.**

### ŐRIZZE MEG EZT AZ ÚTMUTATÓT!

#### A munkaterület biztonsága

- **A munkakörnyezetet tartsa tisztán, és biztosítsa a megfelelő megvilágítást.** A zsúfolt vagy sötét helyek vonzzák a baleseteket.
- **Ne működtesse a szerszámgepeket robbanásveszélyes környezetben, például gyúlékony folyadékok, gázok vagy por jelenlétében.** A szerszámgépek szikrái begyűjthetik a porokat és gőzöket.
- **A szerszámgépek működtetése során tartsa távol a járókelőket, gyermekeket és látogatókat.** Figyelmének elvonása esetén elvesztheti ellenőrzését a készülék fölött.

#### Elektromos biztonság

- **Kerülje az érintkezést földelt felületekkel (pl. cső, fűtőtest, tűzhely, hűtő stb.).** Ezekben az esetekben, ha az Ön teste földelt, nagyobb az áramütés veszélye.

#### Személyes biztonság

- **Legyen elővigyázatos, figyeljen oda a munkára, és megfontoltan használja a szerszámgépet. Ne használja a szerszámgépet fáradtan, illetve gyógyszer, alkohol vagy kábítószer hatása alatt.** A szerszámgépek működése során egy pillanatnyi figyelmetlenség is súlyos személyi sérülést okozhat.
- **Legyen megfelelő az öltözéke. Ne viseljen laza ruhát vagy ékszert. A hosszú hajat biztonságosan rögzítse. Tartsa távol a mozgó alkatrészekről a haját, ruháját és kesztyűjét.** A laza ruházatot, ékszereket vagy hosszú hajat bekaphatják a mozgó alkatrészek.
- **Ne végezzen munkát veszélyesen kinyújtózott helyzetben. Mindig stabilan álljon, és ügyeljen az egyensúlyára.** A megfelelően megvetett láb és a jó egyensúly hozzájárul a szerszám feletti uralom megtartásához váratlan helyzetben is.

- **Használjon biztonsági felszerelést. Mindig viseljen szemvédőt.** A körülményeknek megfelelő védőfelszerelés, például porszűrő maszk, csúszásmentes biztonsági lábbeli, védősisak vagy fülvédő használata kötelező.

### A gép használata és karbantartása

- **Ne erőltesse a gépet. Mindig az alkalmazásnak megfelelő szerszámgépet használjon.** A megfelelő szerszámmal jobban, biztonságosabban végezhető el a munka, és a készülék a tervezett sebességgel fog működni.
- **Ne használja a szerszámgépet, ha azt a kapcsolóval nem lehet be- vagy kikapcsolni.** A kapcsoló segítségével nem vezérelhető gép veszélyes, és javítást igényel.
- **A használaton kívüli szerszámokat gyermekektől és egyéb képzetlen személyektől távol tartsa.** Gyakorlatlan felhasználó kezében a szerszámgépek veszélyesek lehetnek.
- **A szerszámokat nagy gondossággal kell karbantartani. A vágóeszközöket tartsa élesen és tisztán.** A megfelelően karbantartott, éles vágóélű szerszámok kisebb valószínűséggel akadnak el, és könnyebb velük dolgozni.
- **Ellenőrizze, jól igazodnak-e a mozgó alkatrészek, semmi sem akadályozza-e a mozgásukat, nincsenek-e eltörve az egyes alkatrészek, és ellenőrizzen minden olyan további körülményt, amely befolyásolhatja a szerszámgép működését. A sérült szerszámot további használat előtt javíttassa meg.** Sok balesetet a nem megfelelően karbantartott szerszámok okoznak.
- **Csak a gyártó által a berendezéshez ajánlott tartozékokat használjon.** Az, hogy egy tartozék megfelelően használható az egyik szerszámmal, nem jelenti azt, hogy más szerszámmal is biztonságosan alkalmazható.

### Szerviz

- **A szerszámok szervizelését csakis hozzáértő szakember végezheti el.** A képzetlen személyzet által végzett szerviz vagy karbantartás sérülésveszélyt teremt.
- **A szerszám szervizeléséhez kizárólag azonos cse-realkatrészeket használjon. Kövesse az útmutató karbantartási részének utasításait.** Nem engedélyezett alkatrészek használata, illetve a karbantartási útmutatások figyelmen kívül hagyása esetén áramütés és sérülés veszélye áll fenn.

## A vízfecskendező gépre vonatkozó biztonsági figyelmeztetések

### ▲ FIGYELMEZTETÉS

**Ez a rész kizárólag a jelen szerszámgépre vonatkozó biztonsági információkat tartalmaz.**

**Az áramütés, tűz és a súlyos sérülések kockázatának csökkentése érdekében a lefolyótisztító gép használata előtt alaposan olvassa el ezeket az információkat.**

### MINDEN FIGYELMEZTETÉST ÉS UTASÍTÁST ŐRIZZEN MEG A KÉSŐBBIEKRE!

Az útmutatót a berendezéssel együtt tárolja és szállítja, hogy az mindig elérhető legyen a kezelő számára.

- **A vízfecskendezőt szigorúan tilos a lefolyón kívül elhelyezkedő tömlővéggel üzemeltetni.** A tömlő ostorcsapásszerű mozgásba kezdhet és ütéses sérülést okozhat, a vízszugár pedig a bőr alá juthat, és súlyos sérüléshez vezethet.
- **A magas nyomású víz a bőrt átszakítva a testbe juthat, és súlyos sérülést, akár végtagok leszakadását is eredményezheti.** A vízszugarat tilos emberekre és állatokra irányítani.
- **A vízfecskendezőt ne használja a névleges nyomásérték, ill. 140°F / 60°C (bemenő vízhőmérséklet) felett.** Ez ugyanis növeli a sérülések, pl. égési sérülések, ill. a vízfecskendező károsodásának veszélyét.
- **A vízfecskendezési folyamatot és a lábműködtetésű szelepet egyazon személy irányítsa. Mindig használja a lábműködtetésű szelepet.** Ha a vízfecskendező tömlője kikerül a lefolyóból, akkor a kezelőnek képesnek kell lennie a vízáram elzárására. Ellenkező esetben ugyanis a tömlő ostorcsapásszerű mozgásba kezdhet és ütéses sérülést okozhat, a vízszugár pedig a bőr alá juthat, és súlyos sérülést eredményezhet.
- **A lefolyótisztító berendezés kezelése és használata során mindig használjon megfelelő egyéni védőfelszerelést.** A lefolyó vegyszereket, baktériumokat és egyéb olyan anyagokat tartalmazhat, amelyek mérgezők vagy fertőzők lehetnek, illetve tüzet vagy egyéb problémákat okozhatnak. A megfelelő személyi védőfelszereléshez mindig tartozik védőszemüveg és kesztyű, továbbá tartozhat latex vagy gumi kesztyű, arcvédő, szemvédő, védőruha, gázálc és acélbetétes lábbeli.
- **Biztosítson jó higiéniai körülményeket. A lefolyótisztító berendezés kezelése vagy használata után meleg szappanos vízzel mossa meg a kezét, illetve más bőrfelületeit, amelyek kapcsolatba**

**kerültek a csatorna tartalmával.** A lefolyótisztító berendezés kezelése vagy használata közben ne egyen és ne dohányozzon. Így megelőzheti a mérgező vagy fertőző anyagokkal való érintkezést.

- **Ne fecskendezzen mérgező, ill. éghető folyadékokat.** Így csökkenthető az égési sérülés, a tűz, a robbanás, ill. az egyéb károsodások veszélye.
- **A benzin és a benzingőz rendkívül tűz- és robbanásveszélyes.** A benzin mozgatása és használata során bekövetkező égési sérülések, robbanás, ill. egyéb súlyos károk kockázatát csökkentő óvintézkedésekről lásd a motor kézikönyvét.
- **A motorok színtelen, szagtalan, mérgező szénmonoxid-gázt fejlesztenek. A szénmonoxid belélegzése hányingert, eszméletvesztést, sőt, halált okozhat.** A motort ne indítsa el és ne járassa zárt térben akkor se, ha a nyílászárók nyitva vannak. A motort kizárólag kültéren üzemeltesse.
- **A forró felületek égési sérülést és tüzet okozhatnak.** Testrészeit, ill. az éghető anyagokat tartsa távol a forró felületektől.
- **A gép használata előtt olvassa el és értelmezze a jelen kézikönyvet, a motor kétikönyvét, valamint a géppel együtt használandó összes berendezés útmutatóját.** Ha nem tartja be az összes figyelmeztetést és útmutatást, az anyagi kárhoz, illetve súlyos személyi sérüléshez vezethet.

Kérésre a EK megfelelőségi nyilatkozatot (890-011-320.10) külön füzet alakjában mellékeljük a jelen kézikönyvhöz.

IHa kérdései vannak ezzel a RIDGID® termékkel kapcsolatban:

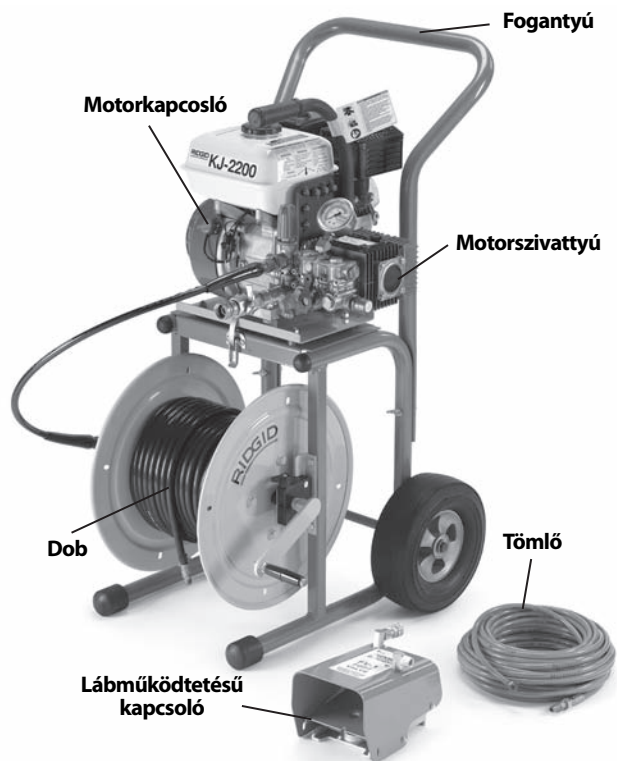
- Lépjen kapcsolatba a helyi RIDGID-forgalmazóval.
- Látogasson el a [www.RIDGID.com](http://www.RIDGID.com) vagy [www.RIDGID.eu](http://www.RIDGID.eu) címre, és keresse meg a RIDGID helyi kapcsolattartási pontját.
- Forduljon a RIDGID műszaki szolgáltatási részlegéhez az [rtctechservices@emerson.com](mailto:rtctechservices@emerson.com) címen, illetve az USA-ban és Kanadában a (800) 519-3456 számon.

## Leírás, műszaki adatok és általános felszerelés

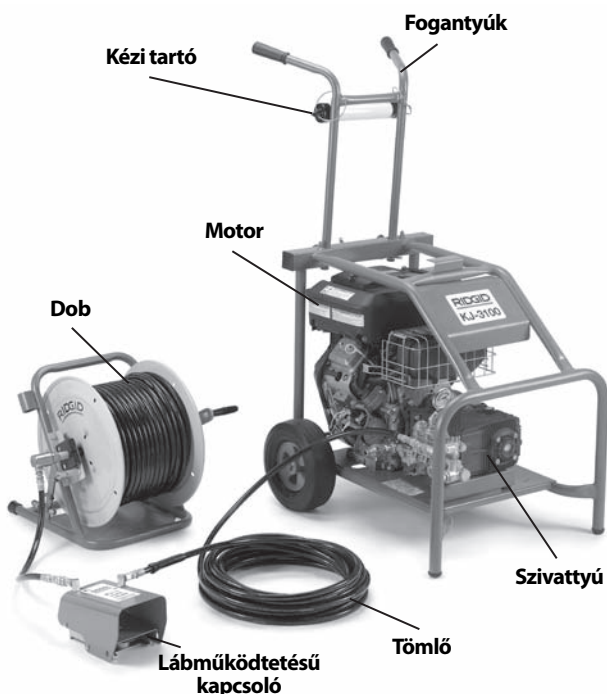
### Leírás

A RIDGID® mooros vízfecskendező gépek hordozható, nagynyomású vízfecskendezők, amelyek a víz nyomását és áramlását együttesen felhasználva képesek eltávolítani a zsírt, iszapot, üledéket és gyökereket a csatornákból. A nagy rugalmasságú, könnyű tömlőt a fecskendező fúvóka hátrafelé irányuló sugarai mozgatják előre a csatornában. A visszahúzott tömlő végigdör-

zsöli a vezetéket, leöblítve a törmeléket. Az impulzusos aktiválási funkció segítségével az éles kanyarokban, szifonokban könnyebb a cső vezetése. A hármás dugattyús szivattyút minden gépnél benzinmotor mozgatja.



1. ábra – A KJ-2200 vízfecskendező gép



2. ábra – A KJ-3100 vízfecskendező gép



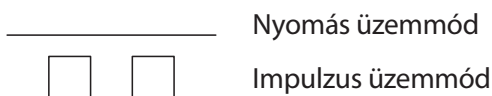
3. ábra – A gép sorozatszámja

A gép sorozatszámja a ház oldalán található. Az utolsó 4 számjegy mutatja a gyártás hónapját és évét. (08 = hónap, 10 = év).

### Műszaki adatok

Vízfecskendező Típus	Motor LE	Nyomás PSI / bar
KJ-2200	6.5 / 6,5	2200 / 150
KJ-3100	16	3000 / 205
Térfogatáram Gallon / perc / liter	Lefolyócső- kapacitás inch / mm	Súly (tömlődob nélkül) lbs / kg
2.4 / 9	1 1/4 - 6 / 32 - 152	65 / 30
5.5 / 20	2 - 10 / 50 - 250	262 / 119

### Ikonok



### Standard változat

Minden vízfecskendező tartozékai a következők:

- Megfelelő vízfecskendező fúvókák
- Fúvókatisztító szerszám
- FV-1 lábműködtetésű szelep
- Üzemeltetői útmutató a motorhoz

Az egyes katalógusszámokhoz mellékeltek egyéb felszereléseket lásd a RIDGID katalógusban.

**MEGJEGYZÉS** A jelen gép feladata a lefolyócsövek megtisztítása. Szakszerű használat esetén a gép nem károsítja a megfelelő állapotú, tervezésű, építésű és karbantartású lefolyócsöveket. Ha a lefolyócső rossz állapotú, illetve nem megfelelően tervezett, épített vagy karbantartott, akkor a lefolyótisztítási eljárás esetleg nem hatékony, illetve károsíthatja a lefolyócsövet. A lefolyó-

cső állapotának tisztítás előtti ellenőrzésére a legjobb módszer a szemrevételezés kamerával. A vízfecskendező szakszerűtlen használata károsíthatja a vízfecskendezőt és a lefolyócsövet. A jelen gép nem feltétlenül képes minden eltömődés kitisztítására.

## A gép összeszerelése

### ▲ FIGYELMEZTETÉS

**A használat során bekövetkező súlyos sérülések, ill. a gép károsodásának megelőzése érdekében az összeszerelést az itt leírtak szerint végezze.**

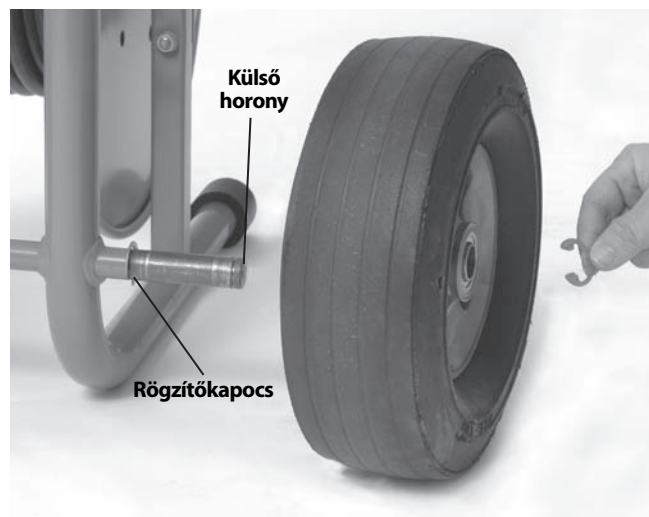
### Motorolaj

**MEGJEGYZÉS** A vízfecskendező kiszállításakor a motorban nincs olaj. A motor olaj nélküli üzemeltetése annak meghibásodását eredményezi. Használat előtt tehát töltsön be olajat. Az olaj megválasztásáról és betöltéséről lásd a motor mellékelt útmutatóját.

### Szivattyú-/sebességváltó-olaj

**Szivattyú:** Vegye le a dugót a szivattyú tetejéből, és helyezze fel a nivópálcával és szellőzővel ellátott sapkát. Ha a vízfecskendezőt úgy használja, hogy a dugó a helyén van, akkor a szivattyú tömítései sérülhetnek. Az olajsintet a *Karbantartási útmutató c. fejezet szerint ellenőrizze.*

**Sebességváltó (csak a KJ-3100 esetén):** A dugót a szivattyú tetejében cserélje ki a nivópálcával és szellőzővel ellátott sapkával. Ha a vízfecskendezőt úgy használja, hogy a dugó a helyén van, akkor a szivattyú tömítései sérülhetnek. kenőanyag szintet a *Karbantartási útmutató c. fejezet szerint ellenőrizze.*



4. ábra – A KJ-2200 összeszerelése

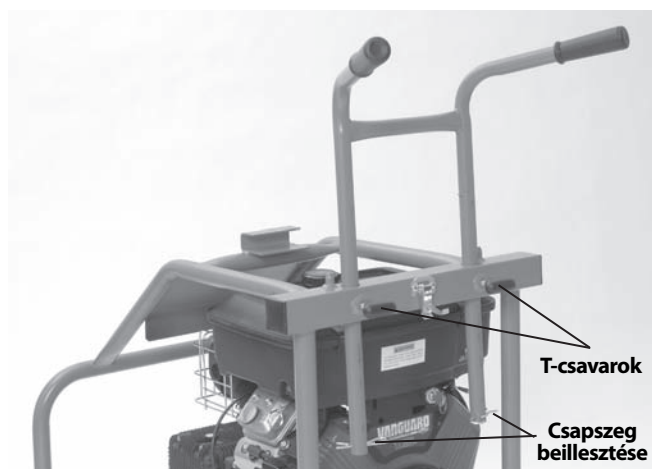


**KJ-2200 szállítókocsi**

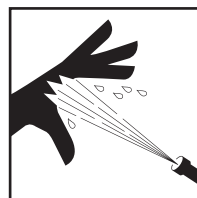
1. Szerelje be a rögzítőkapcsot a tengely két végén található belső hornyokba. (Lásd a 4. ábrát.)
2. Toljon fel egy-egy kereket a tengely végeire.
3. A kerekek rögzítéséhez szerelje be a rögzítőkapcsot a tengely két végén található külső hornyokba.
4. A karszerkezetet a mellékelt kapupántcsavarokkal és szárnyasanyákkal rögzítse a vázhoz.
5. A motor/szivattyú szerelvényt emelje a szállítókocsira úgy, hogy az alaplemez furatai a kocsi csapjaihoz kerüljenek. Rögzítse a motor/szivattyú szerelvényt a kocsin levő reteszekkel. A szerelvényt mindenképpen szilárdan kell rögzíteni.

**KJ-3100 karszerkezet**

1. A karszerkezetet tolja keresztül a váz hátsó kereszt-rúdjának két furatán. (Lásd a 5. ábrát.)
2. A karszerkezet alsó részén levő furatokba helyezzen sasszeget, hogy a kar ne húzódhasson ki.
3. Csavarozza rá a T-csavarokat a hátsó kereszt-rúdba. Állítsa be igény szerint a fogantyúkat, majd a karszerkezet rögzítéséhez húzza meg a T-csavarokat.



5. ábra – A KJ-3100 fogantyújának összeszerelése

**Szemrevételezés a használat előtt****▲ FIGYELMEZTETÉS**

**Minden használat előtt vegye szemügyre a vízfecskendezőt, és hártson el minden problémát a nagy nyomású vízből és egyéb okokból származó komoly sérülések, illetve az eszköz megsérülésének elkerülése érdekében.**

**A vízfecskendező ellenőrzéséhez a berendezésen levő vegyszerek, baktériumok elleni védelem érdekében mindig viseljen védőszemüveget, kesztyűt és egyéb alkalmas személyi védőfelszerelést.**

1. A motorkapcsolónak/kulcsnak feltétlenül az OFF (Ki) állásban kell lennie.
2. Takarítson le mindennemű olajat, zsírt vagy szennyeződést a berendezésről, beleértve a karokat és kezelőelemeket is. Ez megkönnyíti a szemrevételezéses ellenőrzést, egyben megakadályozza, hogy a gép vagy egyik kezelőeleme kicsúszzon a kezéből.
3. A vízfecskendezőn és tartozékain a következőket ellenőrizze:
  - Megfelelő összeszereltség, teljesség.
  - Törött, kopott, hiányzó, hibás beállítású, beragadt vagy lelazult részek.
  - A figyelmeztető címkék megléte és olvashatósága. (Lásd a 6. ábrát.)
  - A biztonságos, normál működést megakadályozó egyéb körülmény.

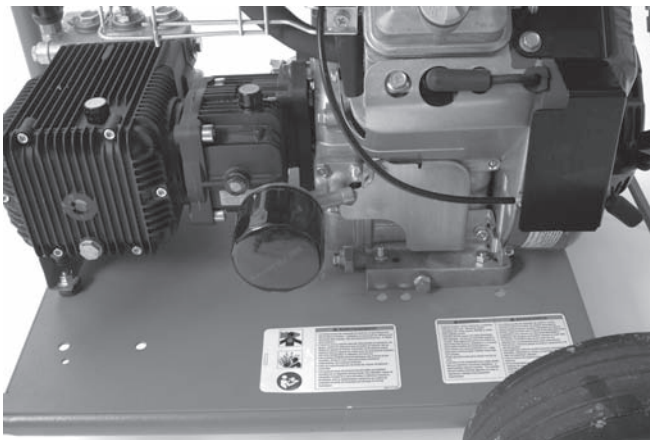
Ha bármilyen problémát talál, annak elhárításáig ne használja a vízfecskendezőt.



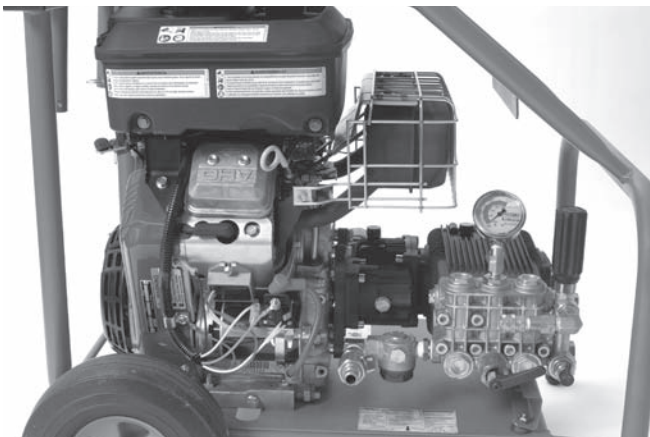
6A ábra – A KJ-2200 figyelmeztető címkéi



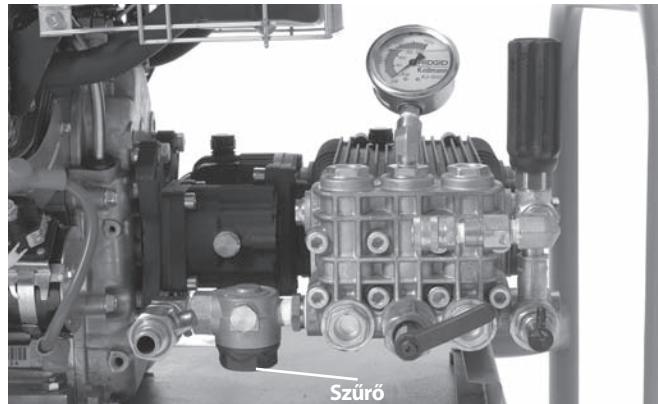
6B ábra – A KJ-2200 figyelmeztető címkéi



6C ábra – A KJ-3100 figyelmeztető címkéi



6D ábra – A KJ-3100 figyelmeztető címkéi



7. ábra – Bemenő szűrő/szűrőalátét

5. Ellenőrizze a fecskendező fúvóka nyílásait, hogy nem látható-e sérülés vagy eltömődés. Az eltömődéseket a fúvókatisztító szerszámmal kell megtisztítani. Tisztításkor ügyeljen rá, hogy a fúvókanyílásokat ne tágítsa ki. A sérült, ill. kitágult nyílású fúvókák ronthatják a vízfecskendező teljesítményét, ezért cserélni kell őket.
6. Ellenőrizze, hogy a tömlők, csatlakozók nem kopotnak, sérültek-e. Megtörés, repedés, szakadás, a tömlő külső köpenyének átkopása, ill. egyéb sérülés esetén ne használja a tömlőt. A sérült tömlők felszakadhatnak, ill. nagynyomású víz szivároghat belőlük, ez pedig sérülésveszélyes. Az új tömlők és csatlakozók névleges nyomásértékének legalább akkorának kell lennie, mint a vízfecskendező által generált nyomás.
7. A motort a saját kezelési útmutatója szerint kell ellenőrizni és karbantartani.
8. Ellenőrizze a motorolajszintet. A KJ-3100 esetén kösse le a tömlődob reteszét, és a tömlődobot forgassa előre úgy, hogy a vázon nyugodjon. Így hozzá lehet férni a motor tanksapkájához: 8. ábra. Ha szükséges, töltsön be olmozatlan benzint. A részleteket lásd a motor kezelési útmutatójában. A benzin mozgásánál tanúsítson óvatosságot. Az újratöltést jól szellőző helyen végezze. Ne töltsön túl a tartályt, és ne öntse ki az üzemanyagot. A tanksapkát mindenképpen szilárdan le kell zárni.



8. ábra – Hozzáférés a KJ-3100 üzemanyagtartályához

9. Ellenőrizze az olajsintet a szivattyúban és a sebességváltóban (ha van). Szükség esetén töltsön be olajat (lásd a Karbantartási útmutató c. fejezetet).

## A gép és a munkaterület elrendezése

### ▲ FIGYELMEZTETÉS



A vízfecskendező beállításához a berendezésen levő vegyszerek, baktériumok elleni védelem érdekében mindig viseljen védőszemüveget, kesztyűt és egyéb alkalmas személyi védőfelszerelést. A gumitalpú, csúszásmentes cipő megelőzheti az elcsúszást a nedves felületen.

A motorok színtelen, szagtalan, mérgező szénmonoxid-gázt fejlesztenek. A szénmonoxid belélegzése hányingert, eszméletvesztést, sőt, halált okozhat. A motort ne indítsa el és ne járassa zárt térben akkor se, ha a nyílászárók nyitva vannak. A motort kizárólag kültéren üzemeltesse.

A vízfecskendezőt és a munkaterületet az alábbi eljárással készítse elő a nagynyomású víz, kémiai égés, fertőzés, szénmonoxid-mérgezés és egyéb okok miatti személyi sérülés kockázatának csökkentése, valamint a vízfecskendező sérülésének megelőzése érdekében.

- Ellenőrizze, hogy a munkaterületen:
    - Van-e megfelelő megvilágítás.
    - Található-e a közelben gyúlékony folyadék, gőz vagy por, mely könnyen lángra lobbanhat. Ha ilyenek megtalálhatók a területen, ne dolgozzon a helyszínen, míg az eredetük nem lett azonosítva, és a probléma nem lett elhárítva. A vízfecskendező nem robbanásálló, és szikrát kelthet.
    - Van-e tiszta, vízszintes, stabil, száraz hely a gép és a kezelő számára. Ha szükséges, távolítsa el a vizet a munkaterületről. Lehet, hogy fa- vagy egyéb burkolatot kell leteríteni.
    - A vízfecskendező telepítési helye jól szellőző kültéri területen van-e. A vízfecskendezőt ne használja beltéren akkor se, ha a nyílászárók nyitva vannak. A vízfecskendező a használati ponttól távolabb is elhelyezhető.
    - Van-e megfelelő vízellátás.
    - Szabad-e az út a vízfecskendező telepítési helyére történő szállításhoz.
  - Szemrevételezze a megtisztítandó lefolyócsövet. Ha lehetséges, határozza meg a csatorna hozzáférési pontját(pontjait), méreteit és hosszát, távolságát a tartályoktól vagy hálózati vezetékektől, az eltömődés jellegét, azt, hogy vannak-e jelen csatornatisztító vagy egyéb vegyszerek, stb. Amennyiben vegyszerek vannak jelen a lefolyócsőben, fontos annak megértése, hogy az ilyen vegyszerek környezetében történő munkavégzés egyedi biztonsági intézkedéseket igényel. Szükséges információért keresse fel a vegyszer gyártóját.
- Ha szükséges, távolítsa el a szerelvényeket (WC, stb.) hogy a hozzáférés biztosított legyen a lefolyóhoz. A tömlőt ne valamilyen szerelvényen keresztül vezesse be a lefolyóba. Ekkor ugyanis mind a tömlő, mind a szerelvény károsodhat.
- Határozza meg, milyen berendezésre van szükség a munka elvégzéséhez. Ezekről a vízfecskendezőkről a *Műszaki adatok* c. fejezetben olvashatók információk. Egyéb alkalmazási célokra szolgáló vízfecskendezők a RIDGID katalógusban találhatóak, a [www.RIDGID.com](http://www.RIDGID.com) vagy [www.RIDGID.eu](http://www.RIDGID.eu) weboldalon.
  - Győződjön meg arról, hogy minden felszerelést megfelelően ellenőriztek-e.
  - Értékelje ki a munkaterületet, és döntse el, szükséges-e bármilyen kordon a nézelődők távoltartására. A nézelődők elterelhetik a kezelő figyelmét. Ha járműforgalom közelében dolgozik, helyezzen le bójákat vagy más kordont a vezetők figyelmeztetésére.
  - Ha szükséges, helyezzen el védőburkolatokat a munkaterületen. A lefolyótisztítási folyamat során nagyfokú szennyeződés keletkezhet.



7. Az akadálymentes útvonalon vigye a vízfecskendezőt a jól szellőző, kültéri munkaterületre. Ha a gépet emelni kell, akkor használjon megfelelő emelési technológiát. A berendezések lépcsőn történő szállításánál tanúsítson óvatosságot, és figyeljen a megcsúszásveszélyre. A megcsúszás elkerülése érdekében viseljen megfelelő lábbelit.

**Vízellátás**

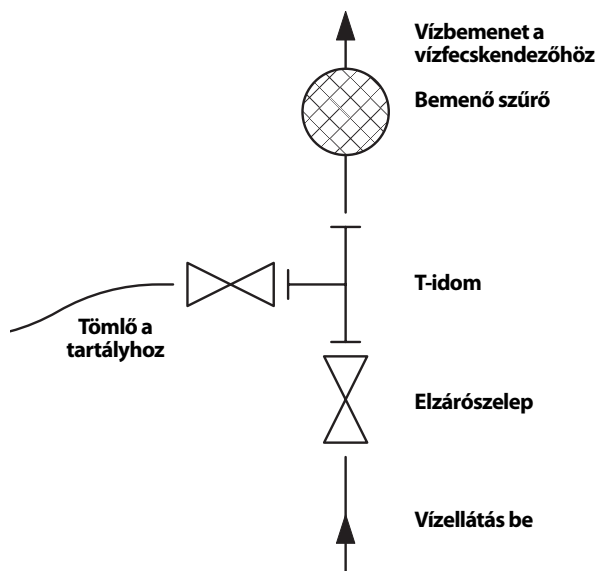
A vízfecskendezőnek megfelelő vízellátás szükséges. A vízforráshoz vezessen víztömlőt a vízfecskendezőhöz. A lehető legnagyobb átmérőjű, és a lehető legrovidebb tömlőt használja. A minimálisan ajánlott belső tömlőátmérő 3/4" / 19 mm. A helyi törvényeknek, előírásoknak való megfelelés érdekében megfelelő visszafolyásgátlót kell alkalmazni. A vízforrásnál indítsa el a vízáramlást, és mérje le, hogy egy tiszta, öt gallonos (5 gal. / 18,9 literes) vödör megtöltéséhez mennyi idő szükséges. *Az egyes vízfecskendezőkhöz tartozó maximális vödörfeltöltési időkről lásd az alábbi táblázatot.*

Vízfecskendező	Névleges térfogatáram Gallon / perc / liter	5 gallonos / 18,9 literes vödör maximális feltöltési ideje
KJ-2200	2.4 / 9	125 másodperc
KJ-3100	5.5 / 20	55 másodperc

Ha a vízáramlás nem elégséges, akkor a vízfecskendező nem éri el a névleges nyomásértéket, és a szivattyú károsodhat. Ellenőrizze, hogy a vödörben levő víz tartalmaz-e szennyeződést, törmeléket. A szennyezett vízellátás hatására a szivattyú fokozottan kopik, a vízfecskendező szűrői és fúvókái eltömlődhetnek, és a teljesítmény csökkenhet. Tóból, ill. egyéb, esetlegesen szennyezett forrásból ne vegyen vizet.

Ha a vízáramlás nem elégséges, akkor lehetséges megoldás több tömlő egyidejű csatlakoztatása a vízfecskendezőhöz (a megfelelő csőcsatlakozó közbeiktatásával), ill. tartály alkalmazása.

Tartály használata esetén szereljen elzárószelepekkel ellátott T-idomot a vízfecskendező vízbemenetére, a 9. ábra szerint. Kössön legfeljebb 6' / 1,8 méteres, 3/4" / 19 mm átmérőjű tömlőt a T-idom kimenetére, és kösse a vízellátást a T-idom erre merőleges bemenetére. A tömlő végét merítse a tartályba, ill. kösse a tartály kimenetéhez. A tartályba vezető tömlő teljes hossza nem emelkedhet 5" / 12,7 cm-rel a vízfecskendező vízbemenete fölé, különben a vízfecskendező nem képes vizet szívni a tartályból.



**9. ábra – A vízellátás csatlakoztatása tartály használata esetén**

A vízfecskendező indítása előtt tölts fel a tartályt. A vízfecskendező indításakor zárja el a tartályszelepet. Mihelyt a vízfecskendező beindult, nyissa a tartályszelepet. Figyelje a tartály szintjét. Szükség esetén állítsa le a vízfecskendezést, és töltsé újra a tartályt. Ne engedje, hogy a víz szintje a tömlő végének magassága alá csökkenjen.

A tisztítás eredményének javítására meleg víz is használható. Ne alkalmazzon azonban 140°F / 60°C-nál melegebb vizet, ilyenkor ugyanis a szivattyú túlmelegedés elleni védelme kioldhat. Meleg víz használata esetén az égési sérülések veszélyét megfelelő személyi védőfelszerelés használatával csökkentse.

Hideg időben tegyen óvintézkedéseket annak megelőzésére, hogy a víz a szivattyúba fagyjon. Ez ugyanis károsíthatja a szivattyút.

Ellenőrizze, hogy a vízfecskendező bemeneti tápszelepe zárva van-e, és kösse a táptömlőt a vízfecskendezőhöz.

**A lefolyó/csatorna előkészítése**

Ha aknán, rácsos csatornanyíláson vagy más, nagyméretű nyíláson keresztül dolgozik, akkor merev csőből és csőcsatlakozóból építsen vezetőhüvelyt a vízfecskendező tömlője számára a csatorna nyílásától az üzemeltetési pontig. Ezzel megelőzhető, hogy a tömlő a nyílásban ostorcsapásszerű mozgásba kezdjen, és károsodjon.





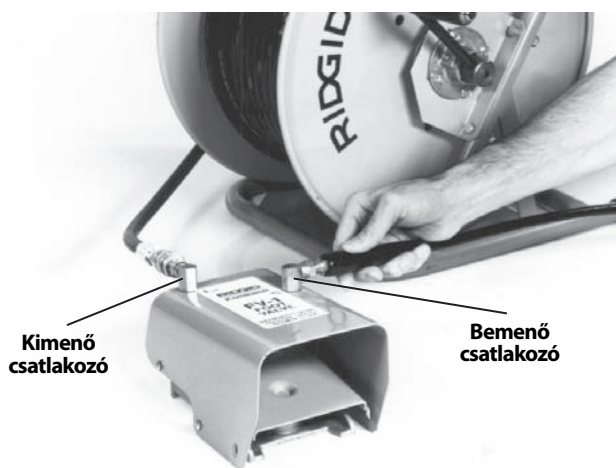
**10. ábra – A lefolyónyílás meghosszabbítása az üzemeltetési ponthoz**

### A tömlő vezetése

A vízfecskendező tömlőjének elvezetésénél tanúsítson óvatosságot. Ha a tömlőt durva felületeken, éles széleken, keresztező tömlőkön, stb. vezet keresztül, akkor a tömlő köpenye megsérülhet, elsősorban, ha a vízfecskendezőt impulzusos üzemben használja. Ha a tömlőt nem csévéli le a tömlődobról, akkor a tömlő sérülésének esélye minimális lehet.

1. Mindig a tisztítandó lefolyóhoz megfelelő méretű tömlőt válasszon. Lefolyótisztításhoz általában nem ajánlott két vízfecskendező tömlőt összekötni. A két tömlő kapcsolódási pontja ugyanis kevésbé rugalmas, így elakadhat a csőcsatlakozásoknál *Lásd Tömlőválasztási táblázat*.
2. Szükség esetén a tömlődub levehető a motor/szivattyú szerelvényről. A tömlődobot a lefolyó/csatorna nyílásától legfeljebb 3' / 90 cm-re helyezze el. A tömlő sérülésének megelőzése érdekében ne engedjen felesleges mennyiségű tömlőt szabadon a lefolyón kívül. Ha a tömlődob nem helyezhető 3' / 90 cm-en belülre a lefolyónyílástól, akkor a lefolyónyílást kell visszafelé meghosszabbítani hasonló méretű merev cső és csőcsatlakozók segítségével.
3. Vezessen tömlőt a vízfecskendezőtől a lábműködtetésű szelep IN (Be) csatlakozójához. A csatlakozást teflonszalaggal tömítse. A lábműködtetésű szelepet tegye jól hozzáférhető helyre. A vízfecskendező tömlőjét és a lábműködtetésű szelepet egyszerre kell tudni kezelni.

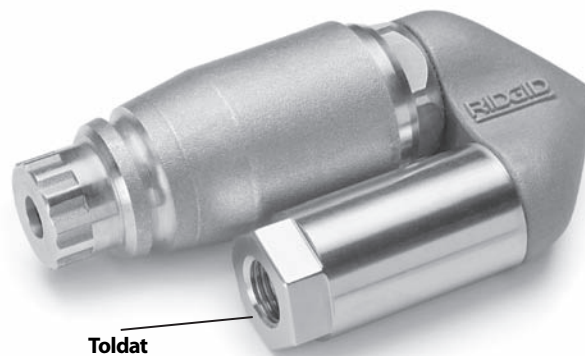
4. Vezessen tömlőt a tömlődobtól a lábműködtetésű szelep OUT (Ki) csatlakozójához.



**11. ábra – A lábműködtetésű szelep csatlakoztatása**

5. Tegyen jelölést a vízfecskendező tömlőre a vége közelében. Így a tömlő visszahúzása közben láthatja, hogy mikor kerül a tömlő vége a lefolyó nyílásának közelébe. Ezzel elkerülhető, hogy a tömlővéget véletlenül kihúzza a tömlő csapkodó mozgásba kezdjen. A távolság a lefolyó elrendezésétől függ, de legalább 4' / 1,2 méternek kell lennie.
6. Vegye ki a fúvókát a vízfecskendező tömlő végéből, és helyezze a vízfecskendező tömlő végét a lefolyóba. Nyissa a bemenő tápszelepet az esetleges levegő és törmelék kitisztításához a vízfecskendezőből és a tömlőkből. Legalább 2 percig folyassa a vizet.
7. Zárja a bemenő tápszelepet.
8. Válasszon fúvókát. A használatban levő vízfecskendezőhöz méretezett fúvókát válasszon. A nem megfelelő fúvóka gyenge teljesítményt (alacsony üzemi nyomást vagy alacsony térfogatáramot) okozhat, ill. a túl nagy nyomás károsíthatja a vízfecskendezőt. A fúvóka nyílásainak tisztának és szabadnak kell lenniük. *Lásd a fúvóka-választási táblázatot*.  
  
Ha az RR3000 fúvókát 6" / 152 mm és 9" / 229 mm közötti átmérőjű lefolyókhoz használja, akkor a toldatot is alkalmazni kell. 6" / 152 mm és annál kisebb átmérőjű lefolyókhoz nem szükséges a toldat. Ha kell toldat, akkor azt kézzel csavarozza fel szilárdan az RR3300-ra – ne húzza túl. Ha az RR3000 fúvókát 6" / 152 mm és 9" / 229 mm közötti lefolyóátmérőkhöz toldat nélkül használja, ill. 9" / 229 mm-nél nagyobb lefolyóátmérőknél egyáltalán alkalmazza, akkor a fúvóka a csőben irányt válthat, a felhasználó irányába kilőhet, és súlyos sérülést okozhat (12. ábra).
9. Kézzel szilárdan csavarozza rá a fúvókát a tömlő végére – ne húzza túl. Ha a fúvókát túlhúzza, akkor az károsodhat, ill. a teljesítmény romolhat.

10. A tömlőt a felszerelt fúvókával vezesse a lefolyóba, és nyissa a bemenő tápszelepet. Ellenőrizze, hogy a víz szabadon áramolhat-e a fúvókán keresztül, és zárja a bemenő tápszelepet.



Toldal

12. ábra – RR3000 fúvóka toldattal

### TÖMLŐVÁLASZTÁSI TÁBLÁZAT

Alkalmazások		Cső mérete inch / mm	Fúvóka mérete inch / mm	Tömlő mérete (belső átmérő) inch / mm	Tömlő mérete (külső átmérő) inch / mm
KJ-2200	Fürdőszobai mosdók, vizeldék és kisméretű vezetékek.	1 1/4 - 2 / 32 - 50	1/8 / 3,2 NPT	1/8 / 3,2	3/16 / 4,8
	Konyhai mosogatók, mosókádak, lefolyók, csatornanyílások, szellőzők.	2 - 3 / 50 - 76	1/8 / 3,2 NPT	3/16 / 4,8	1/4 / 6,4
	Zuhany- és padlóösszefolyók, mellékvezetékek, zsírfogók.	3 - 4 / 76 - 101	1/4 / 6,4 NPT	1/4 / 6,4	1/2 / 13
	Mellék- és fővezetékek.	4 - 6 / 101 - 152	1/4 / 6,4 NPT	1/4 / 6,4	1/2 / 13
KJ-3100	Kürtők, csatornák, szellőzők.	2 - 3 / 50 - 76	1/8 / 3,2 NPT	3/16 / 4,8	1/4 / 6,4
	Padlóösszefolyók, mellékvezetékek, zsírfogók.	3 - 4 / 76 - 101	1/4 / 6,4 NPT	3/8 / 9,5	5/8 / 16
	Mellék- és fővezetékek.	4 - 10 / 101 - 250	1/4 / 6,4 NPT	3/8 / 9,5	5/8 / 16

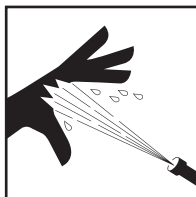
### FÚVÓKA-VÁLASZTÁSI TÁBLÁZAT

KJ-2200	Menet mérete, inch / mm	1/8 / 3,2 NPT	1/4 / 6,4 NPT
	Tömlő mérete (belső átmérő), inch / mm	1/8 & 3/16 / 3,2 & 4,8	1/4 / 6,4
	Tömlő mérete (külső átmérő), inch / mm	3/16 & 1/4 / 4,8 & 6,4	1/2 / 13
	Három tolóerő-fordítóval van felszerelve a maximális hajtóerőhöz hosszú távolságra való vízkilövésnél. A legtöbb alkalmazáshoz ez a fúvóka használható.	<b>H-61</b>	<b>H-71</b>
Három sugárfordítót, valamint egy előre felé irányuló vízszögalkalmaz az összefüggő zsír- vagy iszapeltömődések kitisztítására. Az előre felé irányított vízszög kisméretű rést üt az eltömődésbe a szög követő fúvóka számára. A rendszer jégből álló eltömődések esetén is rendkívül hatékony.	<b>H-62</b>	<b>H-72</b>	
Az éles kanyarok leküzdéséhez az ejtőfej használható. E fúvóka három tolóerő-fordítóval rendelkezik.	<b>H-64</b>		
A forgó fúvóka segítségével a zsír és hasonló eltömődések takaríthatók ki a lefolyóból.	<b>H-65</b>	<b>H-75</b>	

		Menet mérete, inch / mm	1/8 / 3,2 NPT	1/4 / 6,4 NPT
		Tömlő mérete (belső átmérő), inch / mm	3/16 / 4,8	3/8 / 9,5
		Tömlő mérete (külső átmérő), inch / mm	1/4 / 6,4	5/8 / 16
KJ-3100	Négy (4) tolóerő-fordítóval van felszerelve a maximális hajtóerőhöz hosszú távolságra való vízki-lövésnél. A legtöbb alkalmazáshoz ez a fúvóka használható.		H-101	H-111
	Három sugárfordítót, valamint egy előre felé irányuló vízsugarat alkalmaz az összefüggő zsír- vagy iszapeltömődések kitisztítására. Az előre felé irányított vízsugár kisméretű rést üt az eltömődésbe a sugarat követő fúvóka számára. A rendszer jégből álló eltömődések esetén is rendkívül hatékony.		H-102	H-112
	Az éles kanyarok leküzdéséhez az ejtófej használható. E fúvóka négy (4) tolóerő-fordítóval rendelkezik.		H-104	
	A forgó fúvóka segítségével a zsír és hasonló eltömődések könnyebben takaríthatók ki a lefolyóból.		H-105	H-115
	A gyökerek és egyéb típusú eltömődések kitarítására. FONTOS! 8" / 200 mm átmérőjű lefolyók tisztításakor az RR3300 stabilizálására használja a hosszabbítót.			RR3000

## Használati utasítás

### ▲ FIGYELMEZTETÉS



Mindig viseljen szemvédőt a szennyeződés és más idegen tárgyak elleni védelem érdekében. Mindig viseljen a munkakörnyezethez megfelelő személyi védőfelszerelést.

A vízfecskendezőt szigorúan tilos a lefolyón kívül elhelyezkedő tömlővéggel üzemeltetni. A tömlő ostorcsapászerű mozgásba kezdhet és ütési sérülést okozhat, a vízsugár pedig a bőr alá juthat, és súlyos sérüléshez vezethet.

A magas nyomású folyadék a bőrt átszakítva a testbe juthat, és súlyos sérülést, akár végtagok leszakadását is eredményezheti. A vízsugarat tilos emberekre és állatokra irányítani.

A vízfecskendezőt ne használja a névleges nyomásérték, ill. 140°F / 60°C (bemenő vízhőmérséklet) felett. Ez ugyanis növeli a sérülések, pl. égési sérülések, ill. a vízfecskendező károsodásának veszélyét.

A vízfecskendezési folyamatot és a lábműködtetésű szelepet egyazon személy irányítsa. Mindig használja a lábműködtetésű szelepet. Ha a vízfecskendező tömlője kikerül a lefolyóból, akkor a kezelőnek képesnek kell lennie a vízárny elzárására. Ellenkező esetben ugyanis a tömlő ostorcsapászerű mozgásba kezdhet és ütési sérülést okozhat, a

vízsugár pedig a bőr alá juthat, és súlyos sérülést eredményezhet.

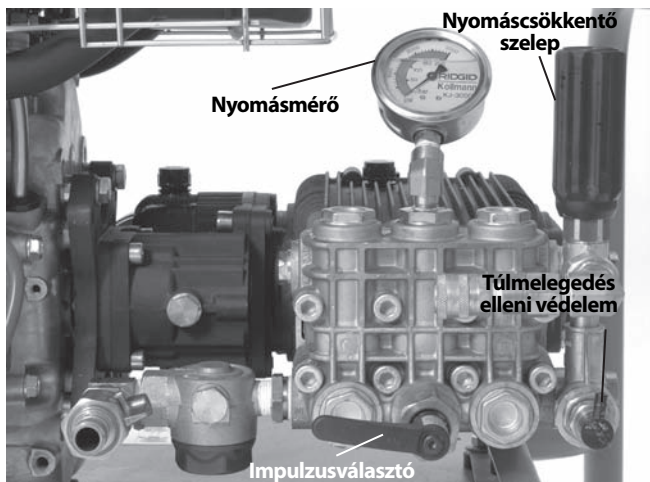
A lefolyótisztító berendezés kezelése és használata során mindig használjon megfelelő egyéni védőfelszerelést. A lefolyó vegyszereket, baktériumokat és egyéb olyan anyagokat tartalmazhat, amelyek mérgezők vagy fertőzők lehetnek, illetve tüzet vagy egyéb problémákat okozhatnak. A megfelelő személyi védőfelszereléshez mindig tartozik védőszemüveg és kesztyű, továbbá tartozhat latex vagy gumi kesztyű, arcvédő, szemvédő, védőruha, gázárc és acélbetétes lábbeli.

Kövesse az üzemeltetési utasításokat a csapkodó tömlő, bőr alá kerülő nagynyomású folyadék, szén-monoxid és egyéb okok miatt bekövetkező sérülések csökkentése érdekében.

1. Bizonyosodjon meg, hogy a gép és a munkaterület is megfelelően lett-e összeállítva, illetve hogy a munkaterületen nincs-e szemlélődő vagy egyéb zavaró tényező. Ha a vízfecskendezőt a használati ponttól távol helyezik el, akkor a vízfecskendezőnél is kell tartózkodnia egy másik személynek.
2. A tömlőt a rászertelt fúvókával legalább 91 cm mélyre vezesse a lefolyóba, hogy a gép beindításakor a tömlővéggel ne szabadulhasson ki, és a tömlő ne kezdhesen csapkodó mozgásba.
3. Ellenőrizze, hogy az impulzusválasztó kar az óramutatóval ellentétes irányba, a "Nyomás" pozícióba fordítva található-e (16. ábra).
4. Nyissa a bemenő tápszelepet. A motort szigorúan tilos úgy elindítani, hogy a vízellátás BE van kapcsolva. Ez ugyanis károsíthatja a szivattyút.
5. A nyomás csökkentéséhez nyomja le a lábműködtetésű szelepet, és hagyja beindulni a motort. Ellen-



őrizze, hogy a víz szabadon áramolhat-e a fúvókán keresztül. A motor kézikönyvében olvasható beindítási útmutatások szerint indítsa be a motort. Engedje bemelegedni a motort.



13. ábra - Vezérlők

6. A megfelelő nyomás beállításához forgassa el a nyomáscsökkentő szelepet, és figyelje a nyomásmérőt (az óramutató irányába forgatva a nyomás nő, vele ellentétesen csökken). Ne lépje túl a használatban levő gép névleges nyomásértékét. Ne erőltesse a nyomáscsökkentő szelepet. A szelep forgatásához csavarkulcs vagy egyéb szerszám használata tilos. Ez ugyanis károsítaná a nyomáscsökkentő szelepet.

Vízfecskendező	Névleges nyomás, PSI / bar
KJ-2200	2200 / 150
KJ-3100	3000 / 205

Ha a vízfecskendező nem hozza létre a névleges nyomást, ill. a nyomásértékek nem megfelelőek:

- Ellenőrizze, hogy a motor fojtószelepének beállítása helyes-e.
- Ellenőrizze, hogy a bemenő tápszelep, ill. minden egyéb, a táprendszerben levő szelep teljesen nyitott-e.
- A nyomás növelésére a nyomáscsökkentő szelepet forgassa az óramutató irányába. Ne erőltesse.
- Ellenőrizze, hogy az impulzusválasztó kar a "Nyomás" állásban van-e.
- A rendszerben maradt levegő eltávolításához az impulzusválasztó kart járó berendezésnél többször fordítsa át a "Nyomás" és az "Impulzus" pozíció között.
- Ellenőrizze, hogy nincs-e szivárgás a rendszerben. A sérülések megelőzése érdekében az ellenőrzés

során tanúsítson óvatosságot. Ha szivárgást talál, akkor annak kijavítása előtt zárja el a vízfecskendezőt.

- Kapcsolja KI a vízfecskendezőt. Ellenőrizze a szívószűrőt/szűrőalátétet. Törmeléktől mentesnek kell lenniük.
  - Ellenőrizze, hogy a vízfecskendezőbe jutó vízáramlás elégséges-e.
  - Kapcsolja KI a vízfecskendezőt és a tápszelepet. Vegye le a fúvókát, és a fúvókatisztító szerszámmal tisztítsa meg a nyílásokat.
  - Járassa a vízfecskendezőt levett fúvókával, eltávolítva a levegőt, törmeléket a rendszerből. A fúvóka le- és felszerelése előtt kapcsolja KI a vízfecskendezőt.
7. Alakítson ki megfelelő munkahelyzetet.
- Ellenőrizze, hogy képes-e vezérelni a lábműködtetésű szelep BE/KI műveletét. Még ne nyomja le a lábműködtetésű szelepet.
  - Végig meg kell őriznie egyensúlyát. A túlzott kinyújtózás nem megengedett.
  - Egyik kezét mindvégig képesnek kell a vízfecskendező tömlőn tartani, megtámasztva és irányítva azt.
  - El kell tudnia érni a tömlődobot a tömlő feltekercseléséhez.

Eben az üzemeltetési pozícióban könnyebb megőrizni az uralmat a vízfecskendező tömlő felett.



14. ábra – Helyes üzemeltetési pozíció




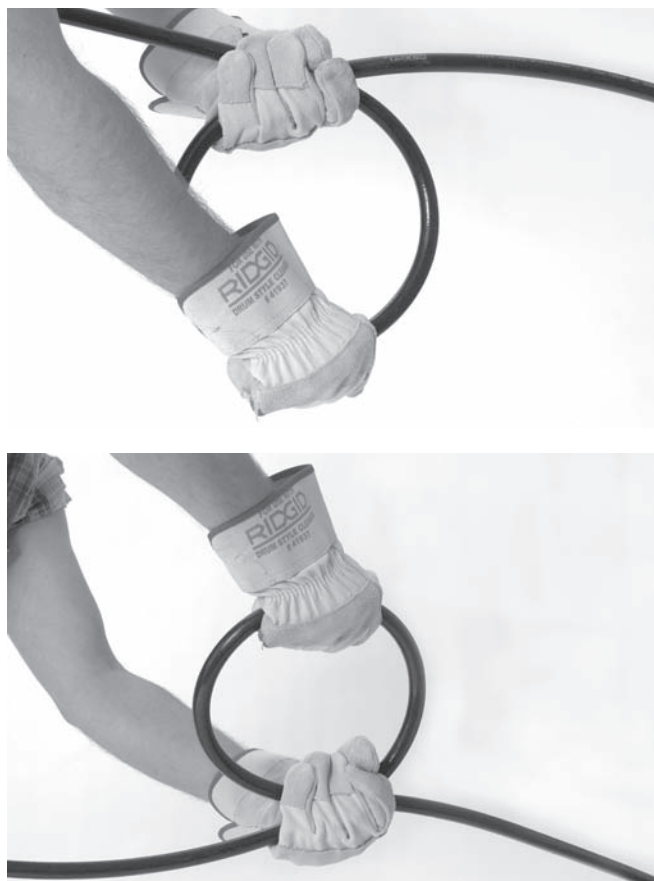
## A lefolyó vízfecskendezéses tisztítása

A lefolyó vízfecskendezéses tisztításánál a tömlőt általában végigtolják a teljes tisztítandó távolságon, majd lassan visszahúzzák. Így a lefolyó falára irányított magasnyomású víz eltávolíthatja a felhalmozódott szennyeződést.

Oldja a tömlődob reteszelő csapját. Legalább 3' / 90 cm tömlőt vezessen a lefolyóba, egyik kezét tartsa a tömlőn a mozgásának irányításához, és nyomja le a lábműködtetésű szelepet. A fúvóka sugárfordítói segítik a tömlő behúzását a lefolyóba. A tömlőt vezesse be a tisztítandó szakasz végéig. Ha a tömlő megakad, akkor valamilyen típusú akadályba ütközött.

Ha a fúvóka nem képes áthaladni az akadályon, pl. a kanyarulaton (szifon, könyök, stb.) vagy az eltömődésen, akkor

- Erősen lökje előre felé többször a tömlőt.
- Forgassa el a tömlőt negyed-félfordulattal a kanyarulat beviteléhez (ha a tömlő átjutott a kanyarulaton, akkor a megtörések megakadályozása érdekében fordítsa vissza) *Lásd 15. ábra.*
- Használja az impulzusos üzemmódot.  (lásd a következő fejezetet).
- Használjon szifonhoz való, ill. kisebb átmérőjű tömlőt.



15. ábra – A tömlő forgatása

Ha a tömlő átjutott az eltömődésen, akkor szánja rá az időt az illető csőszakasz megtisztítására, mielőtt továbbhaladna. Kb. egy méternyivel haladjon túl az akadály területén, majd lassan húzza vissza a fúvókát az akadályon keresztül. Ezt a lépést végezze el többször is, majd haladjon tovább a lefolyóban.

Figyelje a lefolyó vízszintjét. Ha a vízszint túl magasra nő, akkor lehet, hogy a folytatás előtt KI kell kapcsolnia a vízfecskendezőt, és várnia kell, míg a víz leürül. A vízzel teljesen telítődött vezetékben a vízfecskendezés kevésbé hatékony, mint üres vezetékben. Ne járassa a vízfecskendezőt hosszabb ideig kikapcsolt lábműködtetésű szeleppel. A lábműködtetésű szelep kikapcsolt állapotában a víz visszakeringetődik a szivattyúba, és felmelegszik. Ennek hatására kioldhat a szivattyú túlmelegedés elleni védelme.

Ha a fúvóka a kívánt távolságnyra betolódott a lefolyóba, akkor lassan (makacs eltömődés esetén percnként 1 ft / 30 cm-rel) húzza vissza a fúvókát a vezetékben. Egyik kezével a tömlőt irányítsa, a másikkal a dobra csévélje a már kihúzott tömlőt. Ha a fúvóka közelebb kerül a lefolyó nyílásához, akkor ügyeljen, hogy ne léphessen ki a lefolyóból, miközben a víz áramlik. Ellenkező esetben a tömlő csapkodó mozgásba kezdhet, és ütéses, illetve a nagynyomású folyadék okozta sérüléseket eredményezhet. Mindig őrizze meg a tömlő feletti uralmát. Figyelje a tömlőre a fúvóka közelében elhelyezett jelzést. A vízáramlás elzárásához engedje el a lábműködtetésű szelepet.

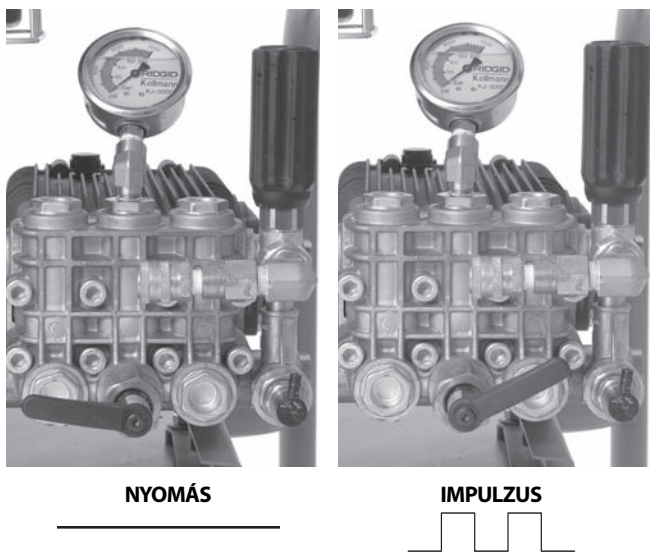
A motor kézikönyve szerint kapcsolja KI a motort, és a lábműködtetésű szelep lenyomásával engedje ki a rendszernyomást. A rendszert szigorúan tilos nyomás alatt hagyni. Szükség esetén cseréljen fúvókát, és a fentiek szerint folytassa a tisztítást. A teljes tisztítás érdekében a vezetéken ajánlatos többször is végighaladni.

A munka befejeztével, kikapcsolt vízfecskendező mellett vegye le a fúvókát, és nyissa a bemenő tápszelepet a szivattyú és a tömlő átöblítéséhez. Ha a vízfecskendezőt hideg időben használja, akkor azonnal ürítse le a vizet a rendszerből, megelőzendő a fagyás okozta sérüléseket. A fagyvédelemről az A gép tárolása c. fejezetben olvashat információkat.

## Az impulzusos üzemmód használata

Ha a tömlő mozgatása nem elegendő a kanyarulat vagy akadály leküzdéséhez, akkor az impulzusos üzemmódot kell használni. Az impulzusos üzemmód során a víznyomás értéke váltakozik, ennek hatására pedig a tömlő rezeg, megkönnyítve az előrehaladást.

1. Az impulzusválasztó kart fordítsa az óramutató irányába, az "Impulzus" pozícióba. Impulzusos üzemmódban a nyomásmérő a valóságos maximális nyomásnál kisebb nyomásértéket mutat. Ez normális jelenség.



16. ábra – Az impulzusválasztó kar pozíciója

2. Szükség esetén erős lökő mozdulatokkal, illetve a tömlő forgatásával segítse az akadály leküzdését.
3. Ha a fúvóka túljutott az akadályon, akkor az impulzusválasztó kart fordítsa vissza az óramutatóval ellentétesen a "Nyomás" pozícióba. A vízfecskendezőt csak addig hagyja impulzusos üzemmódban, amíg az az akadályon való áthaladáshoz szükséges. Az impulzusos üzemmód túl nagymértékű használata a tömlők és a rendszer túlzott kopásához vezet.

### A vízfecskendező gép használata nagynyomású mosóként

A RIDGID vízfecskendező gépei a "Nagynyomású mosó" csomag segítségével nagynyomású mosóként is használhatók. A nagynyomású mosó a vízfecskendezőhöz hasonlóan használandó: az utóbbira a fentiekben adott útmutatások az alábbi útmutatásokkal együtt érvényesek rá.

1. Keressen megfelelő munkaterületet.
2. Győződjön meg arról, hogy minden felszerelést megfelelően ellenőriztek-e.
3. A mosópisztolyt kösse a mosópisztoly tömlőjéhez. Az alkalmazott tömlő névleges nyomásértékének legalább akkorának kell lennie, mint a vízfecskendezőének. A szivárgás megelőzése érdekében használjon menettömítőt.
4. A tömlőt kösse a vízfecskendező kimenetére. A tömlő végeinek szilárdan kell csatlakozniuk, hogy nyomás alatt se válhassanak le.
5. A korábbiakban leírtak szerint kössön megfelelő vízellátást a vízfecskendezőre.

6. Nyissa a bemenő tápszelepet, és nyomja le a mosópisztoly elsütőbillentyűjét. Ezzel megindul a vízáramlás, és a rendszerben levő levegő távozik. A motort szigorúan tilos úgy elindítani, hogy a vízellátás BE van kapcsolva. Ez ugyanis károsíthatja a szivattyút.
7. Ellenőrizze, hogy az impulzusválasztó kar az óramutatóval ellentétes irányba, a "Nyomás" pozícióba fordítva található-e.
8. Mosópisztoly fúvókájának beállítása – A fúvóka forgatásával a szóráskép finom áramlástól széles, legyezőszerű sugárig állítható. A nyomást a fúvóka előretolásával (kis nyomás), ill. hátrahúzásával (nagy nyomás) lehet beállítani. Az üzem megkezdésénél a fúvóka legyen hátul, a nagynyomású pozícióban.



17. ábra – A mosópisztoly fúvókájának beállításai

9. Mosópisztoly biztosítása – a mosópisztoly elsütőbillentyűjének hátsó részén biztosító található. A biztosító lehajtásával lezárható az elsütőbillentyű működtetése, ha a pisztoly nincs használatban.
10. A pisztollyal mutasson biztonságos helyre, húzza meg az elsütőbillentyűt a nyomás lecsökkentésére, és engedje beindulni a motort. A motor kézikönyvében olvasható beindítási útmutatások szerint indítsa be a motort. Engedje bemelegedni a motort. Mihelyt a motor beindul, engedje el az elsütőbillentyűt.
11. A pisztollyal mutasson biztonságos irányba, és húzza meg az elsütőbillentyűt. A nyomásmérőt figyelve a nyomáscsökkentő szelep forgatásával állítsa be a kívánt nyomást. Ne lépje túl a gép névleges nyomásértékét. Engedje el az elsütőbillentyűt.

### A nagynyomású mosó üzemeltetése

1. A nagynyomású mosó használatakor az uralom jobb megőrzése érdekében mindkét kezével fogja és irányítsa a mosópisztolyt. A mosópisztolyt szigorúan tilos emberekre irányítani. A magas nyomású folyadék a bőrt átszakítva a testbe juthat, és súlyos sérülést eredményezhet. Az áramütés veszélyének csökkentése érdekében a mosópisztolyt szigorúan tilos villamos berendezésre vagy vezetékre irányítani.
2. A víz áramlása az elsütőbillentyűvel irányítható. A nagynyomású mosó használata során tanúsítson óvatosságot. Ha a fúvókát túl közel tartja a felület-

hez, az a felület sérülését okozhatja. A beállítások megfelelőségét kisméretű, nem feltűnő felületen ellenőrizze.

- Ne járassa a a vízfecskendezőt hosszabb ideig nem lenyomott elsütőbillentyűvel. Az elsütőbillentyű kikapcsolt állapotában a víz visszakeringetődik a szivattyúba, és felmelegszik. Ennek hatására kioldhat a szivattyú túlmelegedés elleni védelme.
- A nagynyomású mosás befejeztével engedje el az elsütőbillentyűt, és a motor kézikönyvében leírtak szerint kapcsolja ki a motort. A rendszernyomás leürítéséhez húzza meg az elsütőbillentyűt. A rendszert szigorúan tilos nyomás alatt hagyni.

### Mosószer-fecskendező

- Ha szükséges, kösse a mosószer-fecskendezőt a kimenő csomagra. Vegye le a kimenő tömlőt, és a mosószer-fecskendezőt úgy kösse be, hogy a nyíl a vízáramlással azonos irányba mutasson. A szivárgás megelőzése érdekében használjon menettömítőt. Kösse vissza a kimenő tömlőt.
- Kösse a szifontömlőt a mosószer-fecskendezőhöz. A tömlő durvaszűrővel ellátott végét helyezze a mosószer tartályba. Csak nagynyomású mosóhoz tervezett mosószer használjon. Tartsa be a mosószerre vonatkozó összes utasítást. Éghető folyadékok, mérgező vegyszerek fecskendezése tilos. Más mosószerek, oldószerek, tisztítószerek, stb. károsíthatják a vízfecskendezőt, ill. súlyos sérülést okozhatnak.
- Nagynyomású mosásnál a mosószer csak akkor adódik hozzá, ha a mosópisztoly fúvókája a kisnyomású állásban van. A mosószer hozzáadásához a fúvókát tolja előre, kisnyomású állásba.
- Üzem közben a mosószer adagolási sebessége a mosószer-fecskendező hüvelyének forgatásával állítható be. A hüvelyt az óramutatóval ellentétesen forgatva a mosószer mennyisége nő, az óramutató irányába forgatva pedig csökken.
- Ha a mosószer-adagolás kész, akkor vegye ki a durvaszűrőt a mosószerből, helyezze egy vödör tiszta vízbe, és öblítse ki a mosószer a rendszerből.

### Karbantartási útmutató

#### ▲ FIGYELMEZTETÉS

**A motorkapcsolót minden karbantartási művelet előtt OFF (Ki) állásba kell vinni, és a gyújtógyertyakábeleket le kell kötni a szándékolatlan beindulás megelőzése érdekében. A rendszerben esetlegesen levő folyadéknymást a lábműködtetésű szelep vagy az elsütőbillentyű segítségével ürítse le.**

**A lefolyóban levő vegyszerek, baktériumok elleni védelemre minden karbantartási művelethez viseljen védőszemüveget és -kesztyűt.**

### Tisztítás

A tömlőt szükség esetén, forró, szappanos vízzel és/vagy fertőtlenítővel meg kell tisztítani. A motorba és a villamos rendszerbe nem juthat víz. Nagynyomású mosóval tisztítani tilos. A berendezést nedves textillel törölje át.

### Motor

A motor karbantartása a motor berendezéshez mellékelt kezelési útmutatója szerint történik.

### A szivattyú kenése

Használat előtt ellenőrizze a szivattyú olajsintjét. Helyezze a vízfecskendezőt sík felületre. Töröljön le minden szennyeződést, törmelék a nívópálca környezetéből, vegye ki a nívópalcát, és ellenőrizze az olajsintet. Szükség esetén töltsön be SAE 30W detergensmentes olajat. Ne töltsen túl az olajat. Helyezze vissza a nívópalcát.

A szivattyú olaját cserélje az első 50 üzemóra, majd azt követően minden 500 üzemóra elteltével. Az üzemelő szivattyú aljából vegye ki a dugót, és megfelelő tartályba ürítse le az olajat. Helyezze vissza a dugót. Töltsön be kb. 32 oz / 0,9 kg SAE 30W detergensmentes olajat az ellenőrzési eljárás alapján.

### A sebességváltó kenése.

Használat előtt ellenőrizze a sebességváltó olajsintjét. Helyezze a vízfecskendezőt sík felületre. Töröljön le minden szennyeződést, törmelék a nívópálca környezetéből, vegye ki a nívópalcát, és ellenőrizze az olajsintet. Szükség esetén töltsön be SAE 90W hajtóműolajat. Ne töltsen túl az olajat. Helyezze vissza a nívópalcát.

A sebességváltó olaját 500 üzemóránként cserélje. Az üzemelő sebességváltó aljából vegye ki a dugót, és megfelelő tartályba ürítse le az olajat. Helyezze vissza a dugót. Töltsön be kb. 8 oz / 0,2 kg SAE 90W hajtóműolajat az ellenőrzési eljárás alapján.

### A szivattyú előkészítése alacsony hőmérsékletű tároláshoz

**MEGJEGYZÉS** Ha a vízfecskendezőt 32°F / 0°C közeli vagy az alatti hőmérsékletű helyen szándékozik tárolni, akkor az eszközt megfelelően elő kell készíteni. Ha a víz a szivattyúba fagy, akkor károsodás történhet.

A vízfecskendező kétféleképpen készíthető fel az alacsony hőmérsékletű tárolásra. Az első módszer szerint nyissa a rendszer összes szelepét, és sűrített levegővel

fúvassa ki az összes vizet a rendszerből. E módszerrel a tömlőkből is eltávolítható a víz.

A második módszer szerint RV fagyállót (etilénlikolmentes fagyállót) kell használni. Etilénlikolos fagyállót ne használjon a vízfecskendező szivattyújában. A lefolyórendszerekbe nem juthat etilénlikol.

1. A bemenő tápszelepre kössön 3' / 90 cm-es tömlőt, majd nyissa a szelepet.
2. A tömlő végét helyezze az RV fagyállót tartalmazó edénybe.
3. Vegye le a fúvókát a tömlő végétől.
4. Indítsa be a vízfecskendezőt, és járassa addig, amíg fagyálló nem lép ki a tömlő végétől.

## Tartozékok

### ▲ FIGYELMEZTETÉS

**A súlyos sérülés kockázatának csökkentése érdekében csak kifejezetten a RIDGID vízfecskendező gépekhez tervezett és javasolt, alább felsorolt tartozékokat használjon. Egyéb, más készülékhez való kiegészítőknek a RIDGID vízfecskendező gépekkel történő használata veszélyes lehet.**

## KL-2200 fecskendező fúvóka és tömlők

Katalógus sz.	Modell sz.	Leírás	Tömlő belső átmérője inch / mm	Tömlő külső átmérője inch / mm
64772	H-61	Hátrafújó fúvóka 1/8" / 3,2 mm NPT		
64777	H-62	Előre-hátrafújó fúvóka 1/4" / 6,4 mm-es tömlőhöz illik		
64782	H-64	Ejtőfejes fúvóka		
82842	H-65	2200-as forgó fúvóka		
64787	H-71	Hátrafújó fúvóka 1/4" / 6,4 mm NPT		
64792	H-72	Előre-hátrafújó fúvóka 1/2" / 13 mm-es tömlőhöz illik		
82852	H-75	2200-as forgó fúvóka		
47592	H-1425	1/4" x 25' / 6,4 mm x 7,6 m	3/16 / 4,8	1/4 / 6,4
47597	H-1435	1/4" x 35' / 6,4 mm x 10,7 m	3/16 / 4,8	1/4 / 6,4
47602	H-1450	1/4" x 50' / 6,4 mm x 15,2 m 1/4" / 6,4 mm-es szifontömlő	3/16 / 4,8	1/4 / 6,4
49272	H-1475	1/4" x 75' / 6,4 mm x 22,9 m Narancs	3/16 / 4,8	1/4 / 6,4
49277	H-1400	1/4" x 100' / 6,4 mm x 30,5 m	3/16 / 4,8	1/4 / 6,4
64732	H-1415	1/4" x 150' / 6,4 mm x 45,7 m	3/16 / 4,8	1/4 / 6,4
50002	HL-1	Rugalmas bevezető, 1/4" / 6,4 mm	1/8 / 3,2	3/16 / 4,8
50007	HL-2	Rugalmas bevezető, 1/2" / 13 mm	1/8 / 3,2	3/16 / 4,8
47607	H-1250	1/2" x 50' / 13 mm x 15,2 m	1/4 / 6,4	1/2 / 13
47612	H-1275	1/2" x 75' / 13 mm x 22,9 m	1/4 / 6,4	1/2 / 13
47617	H-1200	1/2" x 100' / 13 mm x 30,5 m	1/4 / 6,4	1/2 / 13
51587	H-1211	1/2" x 110' / 13 mm x 33,5 m 1/2" / 13 mm-es fecskendező tömlő	1/4 / 6,4	1/2 / 13
49487	H-1215	1/2" x 150' / 13 mm x 45,7 m Fekete	1/4 / 6,4	1/2 / 13
51597	H-1220	1/2" x 200' / 13 mm x 61 m	1/4 / 6,4	1/2 / 13

## Tartozékok KJ-2200 vízfecskendezőhöz

Katalógus sz.	Modell sz.	Leírás
62882	H-5	Mini tömődob (tömlő nélkül)
64737	H-30	H-30 kocsis tömődobbal
62877	H-30 WH	H-30 kocsis tömődobbal és 110' / 33,5 m x 1/2" / 13 mm-es fecskendező tömlővel
64077	HP-22	Nagynyomású mosó csomag, KJ-2200
64767	HW-22	Mosópisztoly, KJ-2200
51572	H-1235	Tömlő mosópisztolyhoz, 1/2" / 13 mm x 35' / 10,7 m
48157	FV-1	Lábszelep
66732	HF-4	Gyorscsatlakozó tömlő
48367	H-25	Télielvező készlet
47542	H-21	Fúvókatisztító szerszám
67187	H-32	Jet Vac



**KJ-3100 fecskendező fúvókák és tömlők**

Katalógus sz.	Modell sz.	Leírás	Tömlő belső átmérője inch / mm	Tömlő külső átmérője inch / mm
38698	H-101	Hátrafújó fúvóka	1/8" / 3,2 mm NPT	
38713	H-102	Előre-hátrafújó fúvóka	1/4" / 6,4 mm-es tömlőhöz illik	
38703	H-104	Ejtőfejes fúvóka		
38723	H-105	1/8" / 3,2 mm NPT forgó fúvóka		
38693	H-111	Hátrafújó fúvóka	1/4" / 6,4 mm NPT	
38708	H-112	Előre-hátrafújó fúvóka	3/8" / 9,5 mm-es tömlőhöz illik	
38718	H-1155	1/4" / 6,4 mm NPT forgó fúvóka		
16713	RR3000	Gyökérvágó fúvóka		
47592	H-1425	1/4" / 6,4 mm x 25' / 7,6 m szifontömlő	3/16" / 4,8	1/4" / 6,4
47597	H-1435	1/4" / 6,4 mm x 35' / 10,7 m szifontömlő	1/4" / 6,4 mm-es szifontömlő	1/4" / 6,4
47602	H-1450	1/4" / 6,4 mm x 50' / 15,2 m szifontömlő	Narancs	1/4" / 6,4
49272	H-1475	1/4" / 6,4 mm x 75' / 22,9 m szifontömlő		1/4" / 6,4
49277	H-1400	1/4" / 6,4 mm x 100' / 30,5 m szifontömlő		1/4" / 6,4
64732	H-1415	1/4" / 6,4 mm x 150' / 45,7 m szifontömlő		1/4" / 6,4
64827	H-3835	3/8" / 9,5 mm BÅ x 35' / 10,7 m mosótömlő	3/8" / 9,5	5/8" / 16
64832	H-3850	3/8" / 9,5 mm BÅ x 50' / 15,2 m fecskendező/mosótömlő	3/8" / 9,5	5/8" / 16
64837	H-3810	3/8" / 9,5 mm BÅ x 100' / 30,5 m és fecskendező tömlő	3/8" / 9,5	5/8" / 16
64842	H-3815	3/8" / 9,5 mm BÅ x 150' / 45,7 m Fekete fecskendező tömlő	3/8" / 9,5	5/8" / 16
64847	H-3820	3/8" / 9,5 mm BÅ x 200' / 61 m fecskendező tömlő	3/8" / 9,5	5/8" / 16
64852	H-3825	3/8" / 9,5 mm BÅ x 250' / 76,2 m fecskendező tömlő	3/8" / 9,5	5/8" / 16
64857	H-3830	3/8" / 9,5 mm BÅ x 300' / 91,4 m fecskendező tömlő	3/8" / 9,5	5/8" / 16

**Tartozékok a KJ-3100 vízfecskendezőhöz**

Katalógus sz.	Modell sz.	Leírás
62882	H-5	Mini tömlődob
64862	H-38	Tömlődob (a KJ-3100-hoz illik)
64902	H-38 WH	Tömlődob 200' / 61 m x 3/8" / 9,5 mm BÅ tömlőhöz (a KJ-3100-hoz illik)
64797	HW-30	Mosópisztoly, KJ-3100
48367	H-25	Téliesítő készlet
48157	FV-1	Lábszelep
66732	HF-4	Gyorskötésű tömlő (dob a lábszelephez)
47542	H-21	Fúvókatisztító szerszám
67187	H-32	Jet Vac

**A gép tárolása**

**▲ FIGYELMEZTETÉS** A vízfecskendezőt jól szellőző, esőtől, hótól mentes területen tárolja. A gépet zárható helyen tartsa, hogy ne kerülhessen gyermekek vagy a vízfecskendezők kezelésében nem jártas személyek kezébe. Gyakorlatlan felhasználó kezében a gép súlyos sérülést okozhat. Az alacsony hőmérsékletű tárolásról a *Karbantartás fejezetben* olvashatók információk. A motor tárolásáról további információk olvashatók a motor kezelési útmutatójában.

**Szerviz és javítás****▲ FIGYELMEZTETÉS**

**A nem megfelelő szervizelés vagy javítás nem biztonságos üzemeltetést eredményezhet.**

A „Karbantartási utasítás” című részben a gép szükséges karbantartásának nagy része le van írva. Az olyan problémák elhárítását, amellyel az említett rész nem foglalkozik, a RIDGID hivatalos szervizének szakemberére kell bízni.

A készüléket a RIDGID független, jogosult szervizközpontjába vagy a gyárba kell visszajuttatni.

Ha tájékoztatásra van szüksége a legközelebbi RIDGID független, jogosult szervizközponttól, vagy bármilyen, szervizeléssel vagy javítással kapcsolatos kérdése van:

- Lépjen kapcsolatba a helyi RIDGID-forgalmazóval.
- Látogasson el a [www.RIDGID.com](http://www.RIDGID.com) vagy [www.RIDGID.eu](http://www.RIDGID.eu) címre, és keresse meg a RIDGID helyi kapcsolattartási pontját.
- Forduljon a RIDGID műszaki szolgáltatási részlegéhez az [rtctechservices@emerson.com](mailto:rtctechservices@emerson.com) címen, illetve az USA-ban és Kanadában a (800) 519-3456 számon.

**Ártalmatlanítás**

A vízfecskendező alkatrészei értékes nyersanyagokat tartalmaznak, és újrahasznosíthatók. Az Ön lakóhelyén az újrahasznosítással erre szakosodott szervezetek foglalkoznak. Az alkatrészeket a helyi előírásoknak megfelelően ártalmatlanítsa. További információkért lépjen kapcsolatba a helyi hulladékkezelési szervvel.



**Az EK országokban:** Az elektromos berendezéseket ne dobja ki a háztartási hulladékkal együtt!

Az elektromos és elektronikus berendezések hulladékairól szóló 2002/96/EK irányelv (illetve annak a helyi törvényekben megvalósított előírásai) szerint a már nem használható elektronikus hulladékokat külön kell összegyűjteni, és a környezetvédelmi előírásoknak megfelelően kell ártalmatlanítani.

## Hibaelhárítás

PROBLÉMA	OK	ELHÁRÍTÁS
A vízfecskendező jár, de nem, vagy csak alacsony nyomást generál.	A vízellátás nem megfelelő.	Ellenőrizze, hogy a tápvízcsap <b>nyitva</b> van-e. Ellenőrizze, hogy a vízfecskendező bemenő tápszelepe <b>nyitva</b> van-e. Ellenőrizze, hogy a víztápcső tiszta-e és nincs-e megtörve.
A vízfecskendező beindításnál nem éri el a teljes üzemi nyomást.	Levegő szorult a rendszerbe. A vízfecskendező fúvóka sugárfordítói eltömődtek.	Vegye le a fúvókát a fecskendező tömlőről, és a vízfecskendező járatásával öblítse ki a levegőt/törmeléket a rendszerből. Vegye le a fúvókát, és a fúvókatisztító szerszámmal tisztítsa meg a nyílásokat.
A vízfecskendező nyomásmérője 500, ill. a teljes üzemi nyomás között oszcillál.	A vízfecskendező fúvóka sugárfordítói eltömődtek. Törmelék vagy levegő szorult a rendszerbe.	Vegye le a fúvókát. A fúvókatisztító szerszámmal tisztítsa meg a fúvóka nyílásait: a törmelék eltávolításához válassza ki a megfelelő huzalméretet, és a huzalat tolja keresztül mindegyik fúvókanyíláson. Vegye le a fúvókát, és helyezze a fecskendező tömlőt a lefolyóba. A vízfecskendező járatásával öblítse ki a bent szorult levegőt, törmeléket.

# Πιεστικό νερού

## Πιεστικά νερού KJ-2200/KJ-3100



KJ-3100



KJ-2200

### **⚠ ΠΡΟΕΙΔΟΠΟΙΗΣΗ!**

Διαβάστε προσεκτικά το παρόν εγχειρίδιο χειριστή πριν χρησιμοποιήσετε αυτό το εργαλείο. Αν δεν κατανοήσετε και δεν τηρήσετε τις οδηγίες που περιλαμβάνονται σε αυτό το εγχειρίδιο, μπορεί να προκληθεί ηλεκτροπληξία, πυρκαγιά ή/και σοβαρός τραυματισμός.

### Πιεστικά νερού KJ-2200/KJ-3100

Καταγράψτε τον αριθμό σειράς παρακάτω και φυλάξτε τον αριθμό σειράς του προϊόντος που βρίσκεται στην πινακίδα τεχνικών χαρακτηριστικών.

Αρ.  
σειράς

## Περιεχόμενα

<b>Φόρμα καταγραφής αριθμού σειράς του μηχανήματος</b> .....	325
<b>Σύμβολα ασφαλείας</b> .....	327
<b>Γενικοί κανόνες για την ασφάλεια</b> .....	327
Ασφάλεια χώρου εργασίας .....	327
Ηλεκτρική ασφάλεια .....	327
Σωματική ακεραιότητα.....	327
Χρήση και φροντίδα του εργαλείου .....	328
Σέρβις.....	328
<b>Προειδοποιήσεις ασφαλείας για το πιεστικό νερού</b> .....	328
<b>Περιγραφή, τεχνικά χαρακτηριστικά και βασικός εξοπλισμός</b> .....	329
Περιγραφή .....	329
Τεχνικά χαρακτηριστικά .....	330
Εικονίδια .....	330
Στάνταρ εξοπλισμός.....	330
<b>Συναρμολόγηση μηχανήματος</b> .....	330
Λάδι κινητήρα .....	330
Λάδι αντλίας/κιβωτίου οδοντοτροχών .....	330
Καρότσι μεταφοράς KJ-2200 .....	331
Συναρμολόγηση λαβής KJ-3100 .....	331
<b>Έλεγχος πριν από τη λειτουργία</b> .....	331
<b>Προετοιμασία μηχανήματος και χώρου εργασίας</b> .....	333
Παροχή νερού .....	334
Προετοιμασία του αγωγού αποχέτευσης.....	335
Προετοιμασία του λάστιχου .....	335
ΠΙΝΑΚΑΣ ΕΠΙΛΟΓΗΣ ΛΑΣΤΙΧΟΥ ΠΙΕΣΤΙΚΟΥ .....	337
ΠΙΝΑΚΑΣ ΕΠΙΛΟΓΗΣ ΚΕΦΑΛΗΣ ΠΙΕΣΤΙΚΟΥ .....	337
<b>Οδηγίες λειτουργίας</b> .....	338
Απόφραξη του αγωγού αποχέτευσης .....	339
Χρήση της παλμικής λειτουργίας.....	340
Χρήση του πιεστικού ως πλυστικό υψηλής πίεσης.....	341
Λειτουργία πλυστικού υψηλής πίεσης.....	342
Εγχυτήρας απορρυπαντικού.....	342
<b>Οδηγίες συντήρησης</b> .....	342
Καθαρισμός.....	342
Κινητήρας.....	342
Λίπανση αντλίας.....	342
Λίπανση κιβωτίου οδοντοτροχών .....	343
Προετοιμασία αντλίας για αποθήκευση σε κρύο καιρό .....	343
<b>Εξαρτήματα</b> .....	343
<b>Αποθήκευση μηχανήματος</b> .....	345
<b>Σέρβις και επισκευή</b> .....	345
<b>Απόρριψη</b> .....	345
<b>Επίλυση προβλημάτων</b> .....	346
<b>Εγγύηση εφ' όρου ζωής</b> .....	Οπισθόφυλλο

\* Μετάφραση του πρωτοτύπου των οδηγιών χρήσης



## Σύμβολα ασφαλείας

Στο παρόν εγχειρίδιο χειρισμού και πάνω στο προϊόν χρησιμοποιούνται σύμβολα και προειδοποιητικές ενδείξεις που επισημαίνουν σημαντικές πληροφορίες για την ασφάλεια. Οι προειδοποιητικές αυτές ενδείξεις και τα σύμβολα επεξηγούνται σε αυτή την ενότητα.



Αυτό είναι το σύμβολο προειδοποίησης για θέματα ασφαλείας. Χρησιμοποιείται για να σας προειδοποιήσει για πιθανό κίνδυνο τραυματισμού. Τηρείτε πιστά όλα τα μηνύματα ασφαλείας που ακολουθούν αυτό το σύμβολο για να αποφύγετε πιθανό τραυματισμό ή θάνατο.

### ⚠ ΚΙΝΔΥΝΟΣ

Η ένδειξη ΚΙΝΔΥΝΟΣ επισημαίνει μια επικίνδυνη κατάσταση, η οποία, εάν δεν αποφευχθεί, οδηγεί σε θάνατο ή σοβαρό τραυματισμό.

### ⚠ ΠΡΟΕΙΔΟΠΟΙΗΣΗ

Η ένδειξη ΠΡΟΕΙΔΟΠΟΙΗΣΗ επισημαίνει μια επικίνδυνη κατάσταση, η οποία, εάν δεν αποφευχθεί, μπορεί να οδηγήσει σε θάνατο ή σοβαρό τραυματισμό.

### ⚠ ΠΡΟΣΟΧΗ

Η ένδειξη ΠΡΟΣΟΧΗ επισημαίνει μια επικίνδυνη κατάσταση, η οποία, εάν δεν αποφευχθεί, μπορεί να οδηγήσει σε μικροτραυματισμό ή μέτριας σοβαρότητας τραυματισμό.

### ΕΠΙΣΗΜΑΝΣΗ

Η ένδειξη ΕΠΙΣΗΜΑΝΣΗ επισημαίνει πληροφορίες που σχετίζονται με την προστασία περιουσιακών αγαθών.



Αυτό το σύμβολο σημαίνει ότι θα πρέπει να διαβάσετε προσεκτικά το εγχειρίδιο χειριστή προτού χρησιμοποιήσετε τον εξοπλισμό. Το εγχειρίδιο χειρισμού περιλαμβάνει σημαντικές πληροφορίες για την ασφαλή και ορθή λειτουργία του εξοπλισμού.



Αυτό το σύμβολο σημαίνει ότι θα πρέπει να φοράτε πάντα γυαλιά ασφαλείας με πλαϊνή θωράκιση ή γυαλιά προσωπίδες όταν χειρίζεστε ή χρησιμοποιείτε αυτόν τον εξοπλισμό, ώστε να μειώνεται ο κίνδυνος τραυματισμού των ματιών.



Αυτό το σύμβολο υποδεικνύει κίνδυνο εκτόξευσης νερού υπό πίεση σε μέρη του σώματος προκαλώντας τραυματισμό του δέρματος.



Αυτό το σύμβολο υποδεικνύει κίνδυνο εκτίναξης του λάστιχου του πιεστικού προκαλώντας τραυματισμούς από χτύπημα ή από νερό υπό υψηλή πίεση.



Αυτό το σύμβολο υποδεικνύει κίνδυνο εισπνοής μονοξειδίου του άνθρακα που μπορεί να προκαλέσει ναυτία, λιποθυμία ή θάνατο.



Αυτό το σύμβολο υποδεικνύει κίνδυνο πυρκαγιάς και έκρηξης από βενζίνη ή άλλες πηγές προκαλώντας εγκαύματα και άλλους τραυματισμούς.

## Γενικοί κανόνες για την ασφάλεια

### ⚠ ΠΡΟΕΙΔΟΠΟΙΗΣΗ

**Διαβάστε και κατανοήστε όλες τις οδηγίες. Αν δεν τηρηθούν όλες οι οδηγίες που αναγράφονται παρακάτω μπορεί να προκληθεί ηλεκτροπληξία, πυρκαγιά ή/και σοβαρός τραυματισμός.**

### ΦΥΛΑΞΤΕ ΑΥΤΕΣ ΤΙΣ ΟΔΗΓΙΕΣ!

### Ασφάλεια χώρου εργασίας

- Διατηρείτε το χώρο εργασίας καθαρό και με καλό φωτισμό. Αν ο χώρος εργασίας δεν είναι τακτοποιημένος ή έχει κακό φωτισμό, μπορεί να προκληθεί ατύχημα.
- Μην βάζετε σε λειτουργία ηλεκτρικά εργαλεία σε περιβάλλον με κίνδυνο ανάφλεξης/έκρηξης, όπως σε μέρη που υπάρχουν εύφλεκτα υγρά, αέρια ή σκόνη. Τα ηλεκτρικά εργαλεία δημιουργούν σπινθήρες οι οποίοι ενδέχεται να προκαλέσουν ανάφλεξη της σκόνης ή των αναθυμιάσεων.
- Κρατήστε όσους δεν μετέχουν στην εργασία, παιδιά και επισκέπτες σε απόσταση όταν χειρίζεστε ηλεκτρικά εργαλεία. Σε περίπτωση περισπασμών, μπορεί να χάσετε τον έλεγχο του εργαλείου.

### Ηλεκτρική ασφάλεια

- Αποφύγετε κάθε επαφή με γειωμένες επιφάνειες, όπως σωλήνες, καλοριφέρ, ηλεκτρικές κουζίνες και ψυγεία. Αν το σώμα σας είναι γειωμένο, υπάρχει μεγαλύτερος κίνδυνος ηλεκτροπληξίας.

### Σωματική ακεραιότητα

- Να είστε σε ετοιμότητα και εγρήγορση, συγκεντρωμένοι και προσεκτικοί στις ενέργειές σας, και να λειτουργείτε με γνώμονα την κοινή λογική όταν χρησιμοποιείτε οποιοδήποτε ηλεκτρικό εργαλείο. Μην χρησιμοποιείτε εργαλεία όταν είστε κουρασμένοι ή ενώ βρίσκεστε υπό την επήρεια ναρκωτικών ουσιών, αλκοόλ ή φαρμάκων. Μια στιγμή απροσεξίας κατά το χειρισμό του ηλεκτρικού εργαλείου, μπορεί να προκαλέσει σοβαρό τραυματισμό.
- Φοράτε κατάλληλη ενδυμασία. Μην φοράτε φαρδιά ενδύματα ή κοσμήματα. Αν έχετε μακριά μαλλιά, να είναι πιασμένα. Κρατήστε τα μαλλιά, τα ρούχα και τα γάντια μακριά από τα κινούμενα μέρη. Τα φαρδιά ρούχα, τα κοσμήματα ή τα μακριά μαλλιά μπορεί να παγιδευτούν σε κινούμενα μέρη.
- Μην τεντώνετε. Διατηρείτε πάντοτε σωστή, σταθερή στάση και την ισορροπία σας. Η σταθερή στά-

ση και η ισορροπία επιτρέπουν τον καλύτερο έλεγχο του εργαλείου σε απροσδόκητες περιστάσεις.

- **Χρησιμοποιείτε προστατευτικό εξοπλισμό. Να φοράτε πάντα ειδικά προστατευτικά γυαλιά.** Η μάσκα προστασίας από τη σκόνη, τα ειδικά υποδήματα ασφαλείας με αντιολισθητικές σόλες, το κράνος ή τα προστατευτικά αυτιών θα πρέπει να χρησιμοποιούνται σε τέτοιου είδους περιπτώσεις ώστε να μειωθούν οι τραυματισμοί.

### Χρήση και φροντίδα του εργαλείου

- **Μην ασκείτε πίεση στο εργαλείο. Χρησιμοποιείτε το σωστό εργαλείο για την εκάστοτε εφαρμογή.** Όταν χρησιμοποιείτε το σωστό εργαλείο, μπορείτε εκτελέσετε καλύτερα και ασφαλέστερα την εργασία σας, με το ρυθμό που είχε εξ αρχής σχεδιαστεί.
- **Μην χρησιμοποιείτε το ηλεκτρικό εργαλείο εάν δεν μπορείτε να το ενεργοποιήσετε και να το απενεργοποιήσετε από το διακόπτη.** Κάθε εργαλείο που δεν ελέγχεται από το διακόπτη είναι επικίνδυνο και πρέπει να επισκευάζεται.
- **Φυλάξτε τα εργαλεία που δεν χρησιμοποιούνται σε σημείο όπου να μην τα φτάνουν παιδιά και άλλα ανειδίκευτα άτομα.** Τα ηλεκτρικά εργαλεία είναι επικίνδυνα σε χέρια ανειδίκευτων ατόμων.
- **Τα εργαλεία πρέπει να συντηρούνται σωστά. Διατηρείτε τα εργαλεία κοπής αιχμηρά και καθαρά.** Όταν τα εργαλεία κοπής συντηρούνται σωστά και οι κοπτικές ακμές τους διατηρούνται αιχμηρές, ελαχιστοποιείται ο κίνδυνος να μπλοκάρουν και ελέγχονται καλύτερα.
- **Ελέγξτε μήπως τα κινούμενα μέρη δεν είναι σωστά ευθυγραμμισμένα ή έχουν μπλοκάρει, αν υπάρχουν φθορές σε επιμέρους εξαρτήματα και για κάθε άλλη κατάσταση η οποία μπορεί να επηρεάσει τη λειτουργία του ηλεκτρικού εργαλείου. Εάν το εργαλείο έχει κάποια ζημιά, φροντίστε να επισκευαστεί πριν το χρησιμοποιήσετε.** Πολλά ατυχήματα προκαλούνται από κακώς συντηρημένα εργαλεία.
- **Χρησιμοποιείτε μόνο εξαρτήματα που συνιστώνται από τον κατασκευαστή για το συγκεκριμένο μοντέλο εργαλείου.** Εξαρτήματα κατάλληλα για ένα εργαλείο ενδέχεται να είναι επικίνδυνα εάν χρησιμοποιηθούν σε άλλο εργαλείο.

### Σέρβις

- **Το σέρβις του εργαλείου θα πρέπει να πραγματοποιείται αποκλειστικά από εξειδικευμένο τεχνικό προσωπικό.** Αν το σέρβις ή η συντήρηση πραγματοποιηθεί από μη εξειδικευμένο τεχνικό προσωπικό, μπορεί να προκληθεί τραυματισμός.

- **Για τη συντήρηση του εργαλείου, να χρησιμοποιείτε μόνο πανομοιότυπα ανταλλακτικά. Ακολουθήστε τις οδηγίες στην ενότητα Συντήρηση του παρόντος εγχειριδίου.** Αν χρησιμοποιηθούν μη εγκεκριμένα εξαρτήματα ή δεν τηρηθούν οι οδηγίες συντήρησης, μπορεί να προκληθεί ηλεκτροπληξία ή τραυματισμός.

## Προειδοποιήσεις ασφαλείας για το πιεστικό νερό

### ⚠ ΠΡΟΕΙΔΟΠΟΙΗΣΗ

**Η παρούσα ενότητα περιλαμβάνει σημαντικές πληροφορίες ασφαλείας ειδικά για το συγκεκριμένο εργαλείο.**

**Διαβάστε προσεκτικά αυτές τις προφυλάξεις προτού χρησιμοποιήσετε το μηχάνημα καθαρισμού αποχετεύσεων, προκειμένου να περιορίσετε το κίνδυνο ηλεκτροπληξίας ή άλλου σοβαρού τραυματισμού.**

### **ΦΥΛΑΞΤΕ ΟΛΕΣ ΤΙΣ ΠΡΟΕΙΔΟΠΟΙΗΣΕΙΣ ΚΑΙ ΤΙΣ ΟΔΗΓΙΕΣ ΓΙΑ ΜΕΛΛΟΝΤΙΚΗ ΑΝΑΦΟΡΑ!**

Αυτό το εγχειρίδιο πρέπει να παραμένει μαζί με το μηχάνημα, ώστε να μπορεί να χρησιμοποιηθεί από το χειριστή.

- **Μην χρησιμοποιείτε ποτέ το πιεστικό νερό όταν το άκρο του λάστιχου είναι έξω από τον αγωγό αποχέτευσης.** Το λάστιχο μπορεί να εκτιναχθεί και να χτυπήσει κάποιο άτομο ή νερό υπό πίεση μπορεί να διαπεράσει το δέρμα και να προκαλέσει σοβαρό τραυματισμό.
- **Νερό υπό υψηλή πίεση μπορεί διαπεράσει το δέρμα προκαλώντας σοβαρό τραυματισμό ή και ακρωτηριασμό.** Μην κατευθύνετε το λάστιχο απευθείας πάνω σε ανθρώπους ή ζώα.
- **Μη χρησιμοποιείτε το πιεστικό με πίεση μεγαλύτερη από την ονομαστική ή σε θερμοκρασία πάνω από 140°F / 60°C (θερμοκρασία νερού εισόδου).** Κάτι τέτοιο αυξάνει τον κίνδυνο τραυματισμού, εγκαυμάτων και ζημιάς στο πιεστικό.
- **Ένα άτομο πρέπει να ελέγχει και τη διαδικασία ψεκασμού νερού και τον ποδοδιακόπτη. Χρησιμοποιείτε πάντοτε τον ποδοδιακόπτη.** Εάν το λάστιχο βγει από τον αγωγό αποχέτευσης, ο χειριστής πρέπει να μπορεί να κλείσει την παροχή νερού ώστε να περιοριστεί ο κίνδυνος εκτίναξης του λάστιχου του πιεστικού, που μπορεί να χτυπήσει άτομα ή νερό υπό πίεση μπορεί να προκαλέσει τραυματισμούς.
- **Όταν χειρίζεστε και χρησιμοποιείτε εξοπλισμό απόφραξης αποχετεύσεων, να χρησιμοποιείτε πάντοτε τον κατάλληλο εξοπλισμό ατομικής προστασίας.** Οι αποχετευτικοί αγωγοί ενδέχεται να πε-

ριέχουν χημικά, βακτηρίδια και άλλες ουσίες που ενδεχομένως να είναι τοξικές, μολυσματικές, να προκαλούν εγκαύματα ή άλλα προβλήματα. Ο κατάλληλος προσωπικός προστατευτικός εξοπλισμός πάντα περιλαμβάνει γυαλιά ασφαλείας και γάντια και μπορεί να περιλαμβάνει εξοπλισμό όπως γάντια από λάτεξ ή καουτσούκ, προστατευτικές προσωπίδες, γυαλιά προσωπίδες, προστατευτικό ρουχισμό, αναπνευστήρες και υποδήματα με χαλύβδινη μύτη.

- **Να τηρείτε τους κανόνες υγιεινής. Χρησιμοποιήστε ζεστή σαπουνάδα για να πλύνετε τα χέρια σας ή άλλα μέρη του σώματός σας που εκτέθηκαν σε απόβλητα αποχέτευσης, μετά από το χειρισμό ή τη χρήση του εξοπλισμού απόφραξης αποχετεύσεων.** Μην καταναλώνετε τρόφιμα και μην καπνίζετε κατά τη λειτουργία ή τον χειρισμό του εξοπλισμού απόφραξης αποχετεύσεων. Αυτό θα βοηθήσει να αποφευχθεί η μόλυνση με τοξικά ή λοιμώδη υλικά.
- **Μην ψεκάζετε τοξικά ή εύφλεκτα υγρά.** Έτσι μειώνεται ο κίνδυνος εγκαυμάτων, φωτιάς, έκρηξης ή άλλου τραυματισμού.
- **Η βενζίνη και οι αναθυμιάσεις της είναι εξαιρετικά εύφλεκτες και εκρήξιμες.** Για τις προφυλάξεις που πρέπει να ληφθούν ώστε να μειωθεί ο κίνδυνος εγκαυμάτων, εκρήξεων και σοβαρών τραυματισμών κατά το χειρισμό και τη χρήση βενζίνης, ανατρέξτε στο εγχειρίδιο κινητήρα.
- **Οι κινητήρες παράγουν μονοξείδιο του άνθρακα, ένα άχρωμο, άοσμο δηλητηριώδες αέριο. Η εισπνοή μονοξειδίου του άνθρακα μπορεί να προκαλέσει ναυτία, λιποθυμία ή θάνατο.** Μην θέσετε σε λειτουργία τον κινητήρα σε κλειστό χώρο, ακόμη και αν οι πόρτες και τα παράθυρα είναι ανοικτά. Λειτουργείτε τον κινητήρα μόνο σε εξωτερικό χώρο.
- **Οι θερμές επιφάνειες μπορούν να προκαλέσουν εγκαύματα και πυρκαγιά.** Διατηρείτε τα μέρη του σώματός σας και εύφλεκτα υλικά μακριά από από θερμές επιφάνειες.
- **Πριν από τη λειτουργία, διαβάστε και κατανοήστε αυτό το εγχειρίδιο, το εγχειρίδιο του κινητήρα καθώς και τις προειδοποιήσεις και οδηγίες για όλο τον εξοπλισμό που χρησιμοποιείται σε συνδυασμό με αυτό το εργαλείο.** Εάν δεν τηρηθούν όλες οι προειδοποιήσεις και οι οδηγίες, μπορεί να προκληθούν υλικές ζημιές ή/και σοβαρός τραυματισμός.

Η δήλωση συμμόρφωσης ΕΚ (890-011-320.10) θα συνοδεύει αυτό το εγχειρίδιο σαν ξεχωριστό βιβλιαράκι εφόσον απαιτείται.

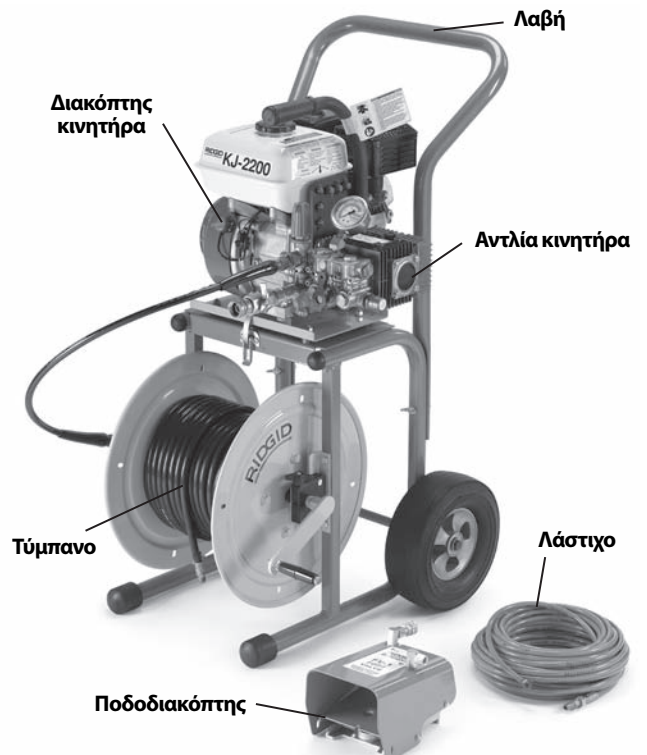
Εάν έχετε οποιαδήποτε απορία σχετικά με το συγκεκριμένο προϊόν RIDGID®:

- Επικοινωνήστε με τον τοπικό διανομέα RIDGID.
- Επισκεφθείτε τη διεύθυνση [www.RIDGID.com](http://www.RIDGID.com) ή [www.RIDGID.eu](http://www.RIDGID.eu) για να βρείτε το πλησιέστερο σημείο επικοινωνίας της RIDGID στην περιοχή σας.
- Επικοινωνήστε με το τμήμα τεχνικής υποστήριξης της RIDGID στην ηλεκτρονική διεύθυνση [rttechservices@emerson.com](mailto:rttechservices@emerson.com) ή, για ΗΠΑ και Καναδά, καλέστε στο (800) 519-3456.

## Περιγραφή, τεχνικά χαρακτηριστικά και βασικός εξοπλισμός

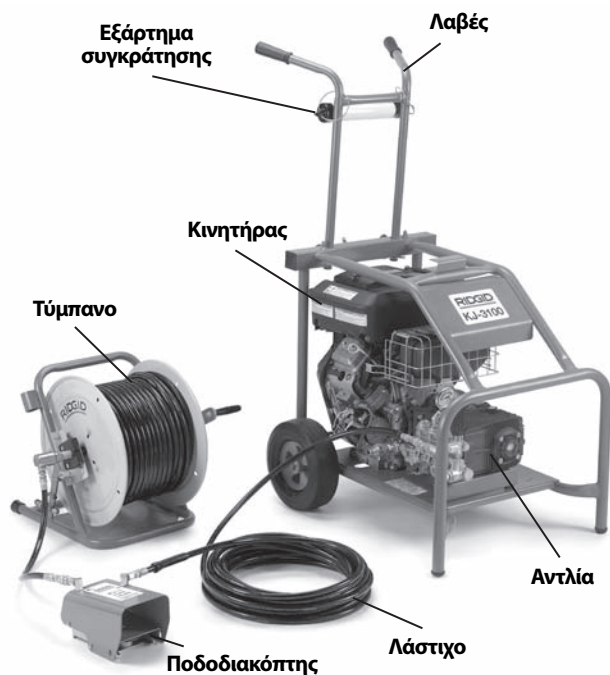
### Περιγραφή

Τα βενζινοκίνητα πιεστικά νερού RIDGID® είναι φορητά πιεστικά νερού υψηλής πίεσης σχεδιασμένα ώστε να χρησιμοποιούν ένα συνδυασμό πίεσης και παροχής νερού για την απόφραξη αποχετευτικών αγωγών από λίπη, λάσπη, ιζήματα και ρίζες. Ένα εξαιρετικά εύκαμπτο και ελαφρύ λάστιχο προωθείται μέσα στον αγωγό μέσω των οπίσθιων εξόδων της κεφαλής του πιεστικού και καθώς αποσύρεται ξεπλένει τον αγωγό απομακρύνοντας τις ακαθαρσίες. Με την παλμική λειτουργία ενεργοποιημένη, μπορείτε να αποφράξετε ευκολότερα δυσπρόσιτες καμπύλες και σιφόνια. Όλα τα μηχανήματα είναι εξοπλισμένα με βενζινοκίνητο ο οποίος δίνει κίνηση στην τριβάθμια εμβολοφόρο αντλία.



Εικόνα 1 – Πιεστικό νερού KJ-2200





Εικόνα 2 – Πιεστικό νερού KJ-3100



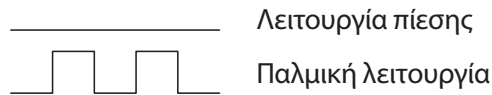
Εικόνα 3 – Αριθμός σειράς μηχανήματος

Ο αριθμός σειράς του μηχανήματος αναγράφεται στο πλαίσιο. Τα 4 τελευταία ψηφία δείχνουν το μήνα και το έτος κατασκευής. (08 = μήνας, 10 = έτος).

### Τεχνικά χαρακτηριστικά

Μοντέλο πιεστικού	Η.Ρ. κινητήρα	Πίεση PSI / bar
KJ-2200	6.5 / 6,5	2200 / 150
KJ-3100	16	3000 / 205
Ρυθμός παροχής GPM / λίτρα	Δυνατότητα αγωγού in. / mm	Βάρος (χωρίς το τύμπανο) lbs / kg
2.4 / 9	1 <sup>1</sup> / <sub>4</sub> - 6 / 32 - 152	65 / 30
5.5 / 20	2 - 10 / 50 - 250	262 / 119

### Εικονίδια



### Στάνταρ εξοπλισμός

Όλα τα πιεστικά νερού παρέχονται με τα ακόλουθα εξαρτήματα

- Κατάλληλες κεφαλές
- Εργαλείο καθαρισμού κεφαλών
- Ποδοδιακόπτη FV-1
- Εγχειρίδιο χειριστή κινητήρα

Για ειδικό εξοπλισμό που παρέχεται με κάθε αριθμό καταλόγου, δείτε στον κατάλογο της RIDGID.

**ΕΠΙΣΗΜΑΝΣΗ** Αυτό το μηχάνημα έχει κατασκευαστεί για την απόφραξη αποχετεύσεων. Εάν χρησιμοποιηθεί σωστά δεν θα προκαλέσει ζημιά σε αγωγό αποχέτευσης που είναι σε καλή κατάσταση και σωστά σχεδιασμένος, κατασκευασμένος και συντηρημένος. Εάν ο αγωγός αποχέτευσης δεν είναι σε καλή κατάσταση ή δεν έχει σχεδιαστεί, κατασκευαστεί ή συντηρηθεί σωστά, η διαδικασία απόφραξης ενδέχεται να μην είναι αποτελεσματική ή να προκαλέσει ζημιά στον αγωγό. Ο καλύτερος τρόπος για να ελέγξετε την κατάσταση του αγωγού αποχέτευσης πριν προχωρήσετε στην απόφραξη είναι να τον επιθεωρήσετε με κάμερα. Μη ορθή χρήση αυτού του πιεστικού νερού μπορεί να προκαλέσει ζημιά στο ίδιο το μηχάνημα και τον αγωγό αποχέτευσης. Αυτό το μηχάνημα ενδέχεται να μην μπορεί να αποφράξει όλα τα εμπόδια.

### Συναρμολόγηση μηχανήματος

#### ⚠ ΠΡΟΕΙΔΟΠΟΙΗΣΗ

**Για να αποτραπεί το ενδεχόμενο σοβαρού τραυματισμού και ζημιάς στο μηχάνημα, ακολουθήστε τις διαδικασίες που περιγράφονται παρακάτω για τη σωστή συναρμολόγηση του μηχανήματος.**

#### Λάδι κινητήρα

**ΕΠΙΣΗΜΑΝΣΗ** Το πιεστικό νερού αποστέλλεται χωρίς λάδι στον κινητήρα. Η λειτουργία του κινητήρα χωρίς λάδι θα προκαλέσει ζημιά στον κινητήρα. Προσθέστε λάδι πριν από τη λειτουργία. Δείτε το εγχειρίδιο χειριστή κινητήρα που παρέχεται για ειδικές πληροφορίες σχετικά με την προσθήκη και την επιλογή λαδιού.

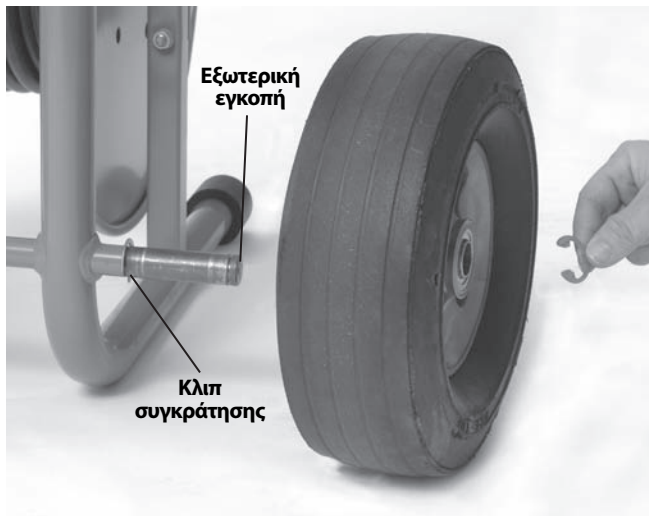
#### Λάδι αντλίας/κιβωτίου οδοντοτροχών

**Αντλία:** Αντικαταστήστε την τάπα που βρίσκεται στο πάνω μέρος της αντλίας με καπάκι ράβδου μέτρησης στάθμης λαδιού/αναπνευστήρα. Η λειτουργία της



αντλίας με την τάπα στη θέση της θα προκαλέσει ζημιά στις τσιμούχες της αντλίας. Ελέγχετε τη στάθμη λαδιού σύμφωνα με τις οδηγίες της *ενότητας Οδηγίες Συντήρησης*.

**Κιβώτιο οδοντοτροχών (μόνο για KJ-3100):** Αντικαταστήστε την τάπα που βρίσκεται στο πάνω μέρος της αντλίας με καπάκι ράβδου μέτρησης στάθμης λαδιού/ αναπνευστήρα. Η λειτουργία της αντλίας με την τάπα στη θέση της θα προκαλέσει ζημιά στις τσιμούχες του κιβωτίου οδοντοτροχών. Ελέγχετε τη στάθμη λιπαντικού σύμφωνα με τις οδηγίες της *ενότητας Οδηγίες Συντήρησης*.



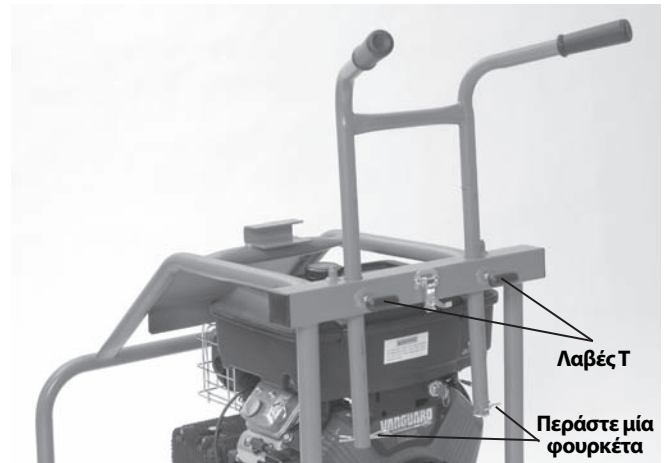
Εικόνα 4 - Συναρμολόγηση του KJ-2200

### Καρότσι μεταφοράς KJ-2200

1. Τοποθετήστε το κλιπ συγκράτησης στην εσωτερική εγκοπή σε κάθε άκρο του άξονα. (Βλ. Εικόνα 4.)
2. Περάστε από έναν τροχό σε κάθε άκρο του άξονα.
3. Τοποθετήστε το κλιπ συγκράτησης στην εξωτερική εγκοπή σε κάθε άκρο του άξονα για να συγκρατήσετε τον τροχό.
4. Χρησιμοποιήστε τις καρόβιδες και τις πεταλούδες που παρέχονται για να προσαρτήσετε τη λαβή στο πλαίσιο.
5. Σηκώστε και τοποθετήστε το συγκρότημα κινητήρα /αντλίας πάνω στο καρότσι, ευθυγραμμίζοντας τις οπές της πλάκας βάσης με τους πείρους στο πάνω μέρος του καροτσιού. Χρησιμοποιήστε τους γάντζους ασφάλισης του καροτσιού για να συγκρατήσετε το συγκρότημα κινητήρα/αντλίας. Βεβαιωθείτε ότι το συγκρότημα είναι καλά στερεωμένο.

### Συναρμολόγηση λαβής KJ-3100

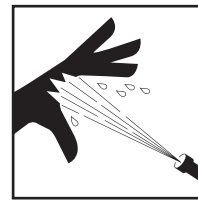
1. Περάστε τη λαβή μέσα από τις δύο οπές στην πίσω εγκάρσια δοκό του πλαισίου. (Βλ. Εικόνα 5.)
2. Περάστε μία φουρκέτα από τις οπές στο κάτω μέρος της λαβής, ώστε να μη βγει η λαβή από τη θέση της.
3. Βιδώστε τις λαβές σχήματος T στην πίσω εγκάρσια δοκό. Προσαρμόστε τις λαβές όπως επιθυμείτε και σφίξτε τις λαβές T για να ασφαλίσετε τη λαβή.



Εικόνα 5 - Συναρμολόγηση λαβής KJ-3100

### Έλεγχος πριν από τη λειτουργία

#### ⚠ ΠΡΟΕΙΔΟΠΟΙΗΣΗ



**Πριν από κάθε χρήση, ελέγξτε το πιεστικό νερό και επιδιορθώστε τυχόν προβλήματα, ώστε να περιοριστεί ο κίνδυνος σοβαρού τραυματισμού από νερό υψηλής πίεσης και άλλες αιτίες και να αποτραπεί η πρόκληση βλάβης στο πιεστικό.**

**Όταν ελέγχετε το πιεστικό, μην παραλείπετε να φοράτε πάντοτε γυαλιά ασφαλείας, γάντια και άλλο προστατευτικό εξοπλισμό, ώστε να προστατεύσετε από χημικά και βακτήρια που μπορεί να υπάρχουν στον εξοπλισμό.**

1. Βεβαιωθείτε ότι ο διακόπτης/το κλειδί του κινητήρα είναι κλειστός (θέση OFF).
2. Απομακρύνετε λάδια, γράσα ή ακαθαρσίες από το ίδιο το μηχάνημα, τις λαβές και τα χειριστήρια του μηχανήματος. Έτσι διευκολύνεται ο έλεγχος και μει-

ώνεται η πιθανότητα να σας γλιστρήσει το μηχάνημα ή κάποιο χειριστήριο.

3. Επιθεωρήστε το πιεστικό νερού και τα εξαρτήματα για τα παρακάτω:

- Τη σωστή συναρμολόγηση και πληρότητα του μηχανήματος.
- Για εξαρτήματα που είναι σπασμένα, λείπουν, δεν είναι ευθυγραμμισμένα ή έχουν λασκάρει.
- Ύπαρξη και καλή κατάσταση της ετικέτας προειδοποίησης. (Βλ. Εικόνα 6.)
- Κάθε άλλη κατάσταση που μπορεί να εμποδίσει την ασφαλή και κανονική λειτουργία του μηχανήματος.

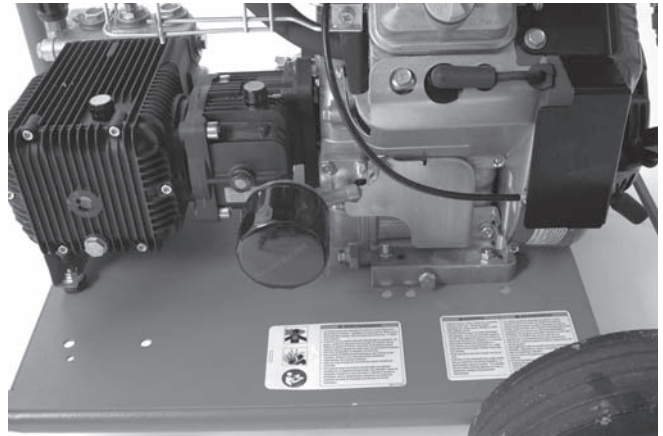
Αν διαπιστώσετε οποιοδήποτε πρόβλημα, μην χρησιμοποιήσετε το πιεστικό νερού μέχρι να διορθωθεί το πρόβλημα.



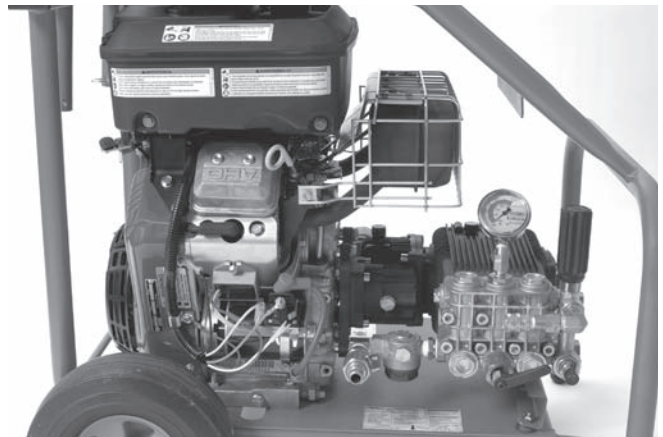
**Εικόνα 6Α – Ετικέτες προειδοποιήσεων KJ-2200**



**Εικόνα 6Β – Ετικέτες προειδοποιήσεων KJ-2200**

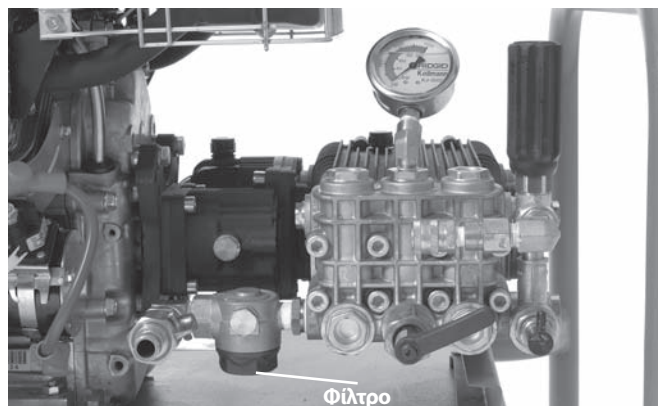


**Εικόνα 6Γ – Ετικέτες προειδοποιήσεων KJ-3100**



**Εικόνα 6Δ – Ετικέτες προειδοποιήσεων KJ-3100**

4. Καθαρίστε το φίλτρο εισόδου νερού/τη ροδέλα του φίλτρου. Ξεβιδώστε το κάλυμμα από το κάτω μέρος του φίλτρου εισόδου για να το καθαρίσετε. Η ύπαρξη ακαθαρσιών και υπολειμμάτων μπορεί να παρεμποδίσει τη ροή νερού προς την αντλία και να μειώσει την απόδοση.



**Εικόνα 7 - Φίλτρο εισόδου/ροδέλα φίλτρου**

5. Επιθεωρήστε τα στόμια των κεφαλών του πιεστικού για ζημιιά ή φράξιμο. Αν τα στόμια έχουν φράξει μπορείτε να τα καθαρίσετε με εργαλείο καθαρισμού κεφαλών. Προσέξτε να μην διευρύνετε τα στόμια των κεφαλών κατά τον καθαρισμό. Κεφαλές που έχουν υποστεί ζημιιά ή κεφαλές με διευρυμένα στόμια μπορεί να μειώσουν την απόδοση του πιεστικού και πρέπει να αντικαθίστανται.
6. Επιθεωρήστε τα λάστιχα, τους συνδέσμους και τα ρακόρ για φθορά και ζημιιά. Εάν υπάρχουν στρεβλώσεις, ρωγμές, θραύσεις ή φθορά στην εξωτερική επένδυση του λάστιχου ή άλλη ζημιιά, μη χρησιμοποιήσετε το λάστιχο. Λάστιχα που έχουν υποστεί ζημιιά μπορεί να σπάσουν ή να παρουσιάσουν διαρροή νερού υπό υψηλή πίεση και να προκαλέσουν σοβαρό τραυματισμό. Η προδιαγραφή πίεσης για τα λάστιχα και τα ρακόρ αντικατάστασης πρέπει να είναι ίδια ή μεγαλύτερη από αυτή του πιεστικού.
7. Η επιθεώρηση και η συντήρηση του κινητήρα πρέπει να γίνεται σύμφωνα με το εγχειρίδιο χειριστή του κινητήρα.
8. Ελέγξτε τη στάθμη καυσίμου του κινητήρα. Για το KJ-3100, αποσυνδέστε το άγκιστρο ασφάλισης του τύμπανου και περιστρέψτε το τύμπανο προς τα εμπρός έως ότου ακουμπήσει στο πλαίσιο για να αποκτήσετε πρόσβαση στην τάπα του ρεζερβουάρ καυσίμου του κινητήρα *Εικόνα 8*. Εάν χρειάζεται, προσθέστε αμόλυβδη βενζίνη. Για λεπτομέρειες, ανατρέξτε στο εγχειρίδιο χειριστή κινητήρα. Να είστε προσεκτικοί όταν χειρίζεστε βενζίνη. Ο ανεφοδιασμός πρέπει να γίνεται σε καλά αεριζόμενο χώρο. Μην υπερχειλίζετε το ρεζερβουάρ και φροντίστε να μη χυθεί καύσιμο. Βεβαιωθείτε ότι η τάπα του ρεζερβουάρ έχει κλείσει καλά.



**Εικόνα 8 – Πρόσβαση στο ρεζερβουάρ καυσίμου του KJ-3100**

9. Ελέγξτε τη στάθμη λαδιού στην αντλία και το κιβώτιο οδοντοτροχών (εάν υπάρχει) και προσθέστε λάδι εάν χρειάζεται (βλ. την ενότητα *Οδηγίες Συντήρησης*).

## Προετοιμασία μηχανήματος και χώρου εργασίας

### ⚠ ΠΡΟΕΙΔΟΠΟΙΗΣΗ



**Κατά την προετοιμασία του πιεστικού, μην παραλείπετε να φοράτε πάντοτε γυαλιά ασφαλείας, γάντια και άλλο προστατευτικό εξοπλισμό, ώστε να προστατεύεστε από χημικά και βακτήρια που μπορεί να υπάρχουν στον εξοπλισμό. Αντιολισθητικά υποδήματα με σόλες από καουτσούκ αποτρέπουν την ολίσθηση σε υγρές επιφάνειες.**

**Οι κινητήρες παράγουν μονοξείδιο του άνθρακα, ένα άχρωμο, άοσμο δηλητηριώδες αέριο. Η εισπνοή μονοξειδίου του άνθρακα μπορεί να προκαλέσει ναυτία, λιποθυμία ή θάνατο. Μην θέτετε σε λειτουργία τον κινητήρα σε κλειστό χώρο, ακόμη και αν οι πόρτες και τα παράθυρα είναι ανοικτά. Λειτουργείτε τον κινητήρα μόνο σε εξωτερικό χώρο.**



**Προετοιμάστε το πιεστικό νερού και το χώρο εργασίας σύμφωνα με αυτές τις διαδικασίες, ώστε να μειωθεί ο κίνδυνος τραυματισμού από νερό υπό υψηλή πίεση, χημικά εγκαύματα, λοιμώξεις, μονοξείδιο του άνθρακα και άλλες αιτίες, και να αποτραπεί ο κίνδυνος ζημιάς στο πιεστικό.**

- Ελέγξτε τον χώρο εργασίας για:
  - Επαρκή φωτισμό.
  - Εύφλεκτα υγρά, αναθυμιάσεις ή σκόνη που ενδέχεται να αναφλεχθούν. Αν υπάρχει κάτι από τα παραπάνω, μην εργαστείτε στο συγκεκριμένο χώρο μέχρι να εντοπιστούν οι αιτίες και αντιμετωπιστεί το πρόβλημα. Το πιεστικό νερού δεν διαθέτει αντιεκρηκτική προστασία και μπορεί να προκαλέσει σπινθήρες.
  - Καθαρό, επίπεδο, σταθερό, στεγνό σημείο για το μηχάνημα και το χειριστή. Αν χρειάζεται, απομακρύνετε το νερό από την περιοχή εργασίας. Ενδέχεται να χρειαστεί να τοποθετήσετε στο δάπεδο σανίδες ή άλλα καλύμματα.
  - Θέση για το πιεστικό σε καλά αεριζόμενο εξωτερικό χώρο. Μην τοποθετείτε το πιεστικό νερού σε εσωτερικό χώρο, ακόμη και αν τα παράθυρα και οι πόρτες είναι ανοικτά. Το πιεστικό μπορεί να βρίσκεται μακριά από το σημείο χρήσης.
  - Επαρκή παροχή νερού.
  - Ανεμπόδιση διαδρομή για τη μεταφορά του πιεστικού στη θέση προετοιμασίας.
- Επιθεωρήστε τον αγωγό αποχέτευσης που πρόκειται να αποφραχθεί. Αν είναι δυνατόν, εντοπίστε τα σημεία πρόσβασης στην αποχέτευση, τα μεγέθη και μήκη των σωληνώσεων, την απόσταση μέχρι ντεπόζιτα ή κεντρικούς αγωγούς, τη φύση του εμποδίου, την παρουσία χημικών καθαριστικών της αποχέτευσης ή άλλων χημικών κ.λπ. Αν υπάρχουν χημικά στον αγωγό αποχέτευσης, είναι σημαντικό να έχετε κατανοήσει τα ειδικά μέτρα ασφαλείας που απαιτούνται για την εργασία παρουσία αυτών των χημικών. Επικοινωνήστε με τον κατασκευαστή του χημικού για τις απαιτούμενες πληροφορίες.  
Εάν χρειάζεται, αφαιρέστε τα είδη υγιεινής (λεκάνη τουαλέτας, κ.λπ.) για να αποκτήσετε πρόσβαση στον αγωγό. Μην προωθείτε το λάστιχο μέσω κάποιου είδους υγιεινής. Κάτι τέτοιο μπορεί να καταστρέψει το λάστιχο και το είδος υγιεινής.
- Προσδιορίστε το σωστό εξοπλισμό για τη συγκεκριμένη εφαρμογή. Για πληροφορίες σχετικά με αυτά τα πιεστικά βλ. *Τεχνικά χαρακτηριστικά*. Μηχάνημα απόφραξης αποχετεύσεων και πιεστικά νερού για άλλες εφαρμογές μπορείτε να βρείτε στον Κατάλογο της RIDGID ή ηλεκτρονικά στη διεύθυνση [www.RIDGID.com](http://www.RIDGID.com) ή [www.RIDGID.eu](http://www.RIDGID.eu).

- Βεβαιωθείτε ότι ελέγξατε σχολαστικά το σύνολο του εξοπλισμού.
- Αξιολογήστε το χώρο εργασίας και προσδιορίστε αν χρειάζονται εμπόδια για να κρατούν μακριά τους μη μετέχοντες στην εργασία. Οι μη μετέχοντες στην εργασία μπορούν να αποσπάσουν την προσοχή του χειριστή. Αν πραγματοποιείτε εργασίες σε περιοχές όπου κυκλοφορούν οχήματα, τοποθετήστε κώνους ή άλλα εμπόδια για να προειδοποιήσετε τους οδηγούς.
- Εάν χρειάζεται, τοποθετήστε προστατευτικά καλύμματα στην περιοχή εργασίας. Η διαδικασία απόφραξης αποχέτευσης μπορεί να δημιουργήσει ακαταστασία.
- Μεταφέρετε το πιεστικό στον καλά αεριζόμενο εξωτερικό χώρο εργασίας από ανεμπόδιση διαδρομή. Εάν το μηχάνημα χρειάζεται να ανυψωθεί, χρησιμοποιήστε σωστές τεχνικές ανύψωσης. Να είστε προσεκτικοί κατά τη μετακίνηση του μηχανήματος από σκάλες και έχετε πάντα κατά νου ότι υπάρχει κίνδυνος ολίσθησης. Φοράτε κατάλληλα αντιολισθητικά παπούτσια.

## Παροχή νερού

Επιβεβαιώστε ότι υπάρχει επαρκής παροχή νερού για το πιεστικό. Απλώστε ένα λάστιχο από την παροχή νερού μέχρι το πιεστικό. Χρησιμοποιήστε λάστιχο με τη μεγαλύτερη δυνατή διάμετρο και το μικρότερο δυνατό μήκος. Η ελάχιστη συνιστώμενη εσωτερική διάμετρος του λάστιχου είναι 3/4" / 19 mm. Πρέπει να χρησιμοποιηθεί κατάλληλη συσκευή αποτροπής αντίστροφης ροής η οποία να πληροί όλους τους τοπικούς κώδικες και διατάξεις. Ανοίξτε την παροχή νερού και μετρήστε το χρόνο που χρειάζεται για να γεμίσει ένας κουβάς 5 γαλ. / 18,9 λίτρων περίπου. Δείτε στον πίνακα που ακολουθεί τους μέγιστους χρόνους πλήρωσης κουβά για κάθε πιεστικό.

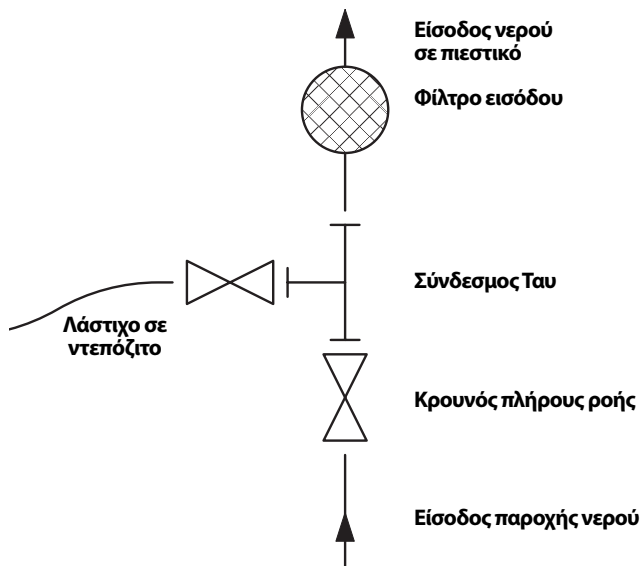
Πιεστικό	Παροχή γαλ. / λίτρα	Μέγ. χρόνος πλήρωσης κουβά 5 γαλ. / 18,9 λίτρων
KJ-2200	2.4 / 9	125 δευτερόλεπτα
KJ-3100	5.5 / 20	55 δευτερόλεπτα

Αν η παροχή νερού είναι ανεπαρκής το πιεστικό δεν θα μπορέσει να φθάσει την ονομαστική πίεση και μπορεί να προκληθεί βλάβη στην αντλία. Ελέγξτε το νερό στον κουβά για ακαθαρσίες και υπολείμματα. Η ύπαρξη ακαθαρσιών και υπολειμμάτων στην παροχή νερού μπορεί να προσκαλέσει υπερβολική φθορά της αντλίας, φράξιμο των φίλτρων των κεφαλών του πιεστικού και να μειώσει την απόδοση. Μην χρησιμοποιείτε νερό από λίμνες ή άλλες πηγές που μπορεί να είναι μολυσμένες.



Σε περίπτωση ανεπαρκούς ροής νερού, μπορείτε να χρησιμοποιήσετε ρακόρ που επιτρέπουν τη σύνδεση πολλών λάστιχων παροχής στο πιεστικό ή μπορείτε να χρησιμοποιήσετε ντεπόζιτο νερού.

Εάν χρησιμοποιηθεί ντεπόζιτο, τοποθετήστε ένα σύνδεσμο Ταυ με κρουνοί πλήρους ροής στο πιεστικό όπως φαίνεται στην *Εικόνα 9*. Συνδέστε ένα λάστιχο  $\frac{3}{4}$ " / 19 mm και μήκος 6' / 1,8 m το μέγιστο στον κρουνό που βρίσκεται στην έξοδο του συνδέσμου Ταυ και συνδέστε την παροχή νερού στην είσοδο του συνδέσμου Ταυ. Εναλλακτικά, τοποθετήστε το άκρο του λάστιχου στο ντεπόζιτο ή συνδέστε το στην έξοδο του ντεπόζιτου. Το συνολικό μήκος του λάστιχου του ντεπόζιτου δεν πρέπει να είναι μεγαλύτερο από 5" / 12,7 cm πάνω από την είσοδο νερού του πιεστικού, διαφορετικά το πιεστικό δεν θα τραβήξει νερό από το ντεπόζιτο.



**Εικόνα 9 - Συνδέσεις παροχής νερού όταν χρησιμοποιείται ντεπόζιτο**

Γεμίστε το ντεπόζιτο πριν θέσετε σε λειτουργία το πιεστικό. Πριν θέσετε σε λειτουργία το πιεστικό, κλείστε τη βαλβίδα του ντεπόζιτου. Μόλις το πιεστικό τεθεί σε λειτουργία, ανοίξτε τη βαλβίδα του ντεπόζιτου. Παρακολουθείτε τη στάθμη νερού στο ντεπόζιτο, και αν χρειάζεται, σταματήστε τη λειτουργία του πιεστικού, ώστε να υπάρξει χρόνος να γεμίσει το ντεπόζιτο. Μην αφήσετε τη στάθμη νερού να πέσει κάτω από το άκρο του λάστιχου.

Για αποτελεσματικότερη απόφραξη μπορείτε να χρησιμοποιήσετε ζεστό νερό. Μην χρησιμοποιείτε νερό θερμότερο από 140°F / 60°C – κάτι τέτοιο μπορεί ενεργοποιήσει την προστασία θερμικής υπερφόρτωση της αντλίας. Όταν χρησιμοποιείτε ζεστό νερό, χρησιμοπο-

είτε κατάλληλο προστατευτικό εξοπλισμό για να περιορίσετε τον κίνδυνο εγκαυμάτων.

Όταν χρησιμοποιείτε το μηχάνημα σε κρύο καιρό, λάβετε κατάλληλα μέτρα, για να αποτρέψετε το πάγωμα του νερού μέσα στην αντλία. Κάτι τέτοιο μπορεί να καταστρέψει την αντλία.

Βεβαιωθείτε ότι η βαλβίδα παροχής εισόδου του πιεστικού είναι κλειστή και συνδέστε το λάστιχο παροχής στο πιεστικό.

### Προετοιμασία του αγωγού αποχέτευσης

Εάν εργάζεστε μέσω φρεατίου ή άλλης μεγάλης πρόσβασης, χρησιμοποιήστε σωλήνα και ρακόρ για να δημιουργήσετε έναν οδηγό για το λάστιχο του πιεστικού από το στόμιο του αγωγού αποχέτευσης μέχρι το σημείο εργασίας. Έτσι θα αποτραπεί ενδεχόμενη εκτίναξη του λάστιχου γύρω από το σημείο πρόσβασης και θα προστατευθεί το λάστιχο από ζημιά.

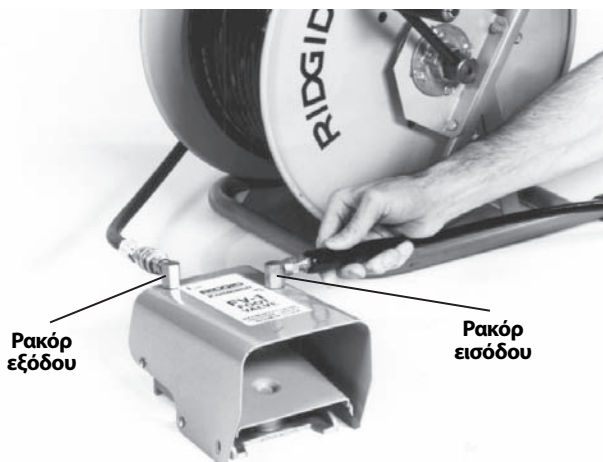


**Εικόνα 10 – Προέκταση του στομίου του αγωγού μέχρι το σημείο εργασίας**

### Προετοιμασία του λάστιχου

Να είστε προσεκτικοί όταν διευθετείτε τη διαδρομή λάστιχων πιεστικών. Η τοποθέτηση του λάστιχου πάνω από ανώμαλες επιφάνειες, αιχμηρές ακμές, ή η διασταύρωση λάστιχων κ.λπ. μπορεί να προκαλέσει ζημιά στο περίβλημα του λάστιχου, ειδικά όταν το πιεστικό χρησιμοποιείται στην παλμική λειτουργία. Φροντίστε να παραμένει το λάστιχο του πιεστικού στο τύμπανο για να ελαχιστοποιείται η ζημιά του.

1. Επιλέξτε μέγεθος λάστιχου πιεστικού κατάλληλο για τον αγωγό που πρόκειται να αποφραχθεί. Συνήθως δεν συνιστάται να συνδέετε δύο λάστιχα πιεστικών μαζί για την απόφραξη αγωγών αποχέτευσης. Το σημείο σύνδεσης των δύο λάστιχων είναι λιγότερο εύκαμπτο και μπορεί να μην μπορεί να περάσει από συνδετικά εξαρτήματα βλ. τον πίνακα επιλογής λάστιχου.
2. Εάν χρειάζεται, διαχωρίστε το τύμπανο του λάστιχου από το συγκρότημα κινητήρα/αντλίας. Τοποθετήστε το τύμπανο του λάστιχου σε απόσταση μέχρι και 3' / 90 cm το πολύ από το στόμιο του αγωγού. Μην αφήνετε υπερβολική ποσότητα λάστιχου έξω από τον αγωγό για να αποφευχθεί τυχόν ζημιά στο λάστιχο. Εάν δεν είναι δυνατόν να τοποθετήσετε το τύμπανο του λάστιχου σε απόσταση έως και 3' / 90 cm το πολύ από το στόμιο του αγωγού, προεκτείνετε το στόμιο του αγωγού προς το τύμπανο του λάστιχου με σωλήνα παρόμοιου μεγέθους και ρακόρ.
3. Απλώστε ένα λάστιχο από το πιεστικό στο ρακόρ εισόδου (IN) του ποδοδιακόπτη. Χρησιμοποιήστε ταινία τεφλόν για να στεγανοποιήσετε τη σύνδεση. Τοποθετήστε τον ποδοδιακόπτη σε θέση τέτοια ώστε να έχετε εύκολη πρόσβαση. Θα πρέπει να μπορείτε να ελέγχετε και το λάστιχο του πιεστικού και τον ποδοδιακόπτη.
4. Συνδέστε το λάστιχο από το τύμπανο στο ρακόρ εξόδου (OUT) του ποδοδιακόπτη.



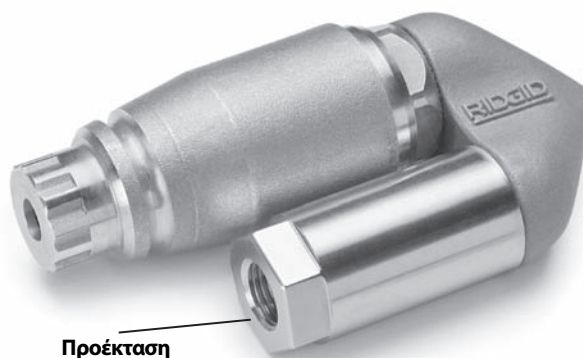
**Εικόνα 11 - Σύνδεση ποδοδιακόπτη**

5. Σημειώστε το λάστιχο του πιεστικού κοντά στο άκρο ώστε να ξέρετε πότε η κεφαλή πλησιάζει στο στόμιο του αγωγού κατά την απόσυρση του λάστιχου. Μ' αυτόν τον τρόπο θα αποτραπεί η έξοδος της κεφαλής από τον αγωγό και η εκτίναξή της. Η απόσταση εξαρτάται από τη διαμόρφωση του αγωγού, αλλά πρέπει να είναι τουλάχιστον 4' / 1,2 m.

6. Αφαιρέστε την κεφαλή από το άκρο του λάστιχου και τοποθετήστε το άκρο του λάστιχου μέσα στον αγωγό. Ανοίξτε τη βαλβίδα παροχής εισόδου για να απομακρύνετε τον αέρα και τυχόν υπολείμματα από το πιεστικό και τα λάστιχα. Αφήστε να τρέξει νερό για τουλάχιστον 2 λεπτά.
7. Κλείστε τη βαλβίδα παροχής εισόδου.
8. Επιλέξτε μια κεφαλή. Χρησιμοποιήστε κεφαλές με μέγεθος κατάλληλο για το πιεστικό που χρησιμοποιείται. Η χρήση ακατάλληλων κεφαλών μπορεί να έχει σαν αποτέλεσμα μειωμένη απόδοση (χαμηλή πίεση λειτουργίας ή χαμηλή ροή) ή μπορεί να προκαλέσει ζημιά στο πιεστικό λόγω εξαιρετικά υψηλών πιέσεων. Βεβαιωθείτε ότι τα στόμια της κεφαλής είναι καθαρά και ανοικτά. Βλ. τον πίνακα επιλογής κεφαλής πιεστικού.

Εάν χρησιμοποιείτε την κεφαλή RR3000 για αγωγούς μεγαλύτερους από 6" / 152 mm και μέχρι και 9" / 229 mm, πρέπει να χρησιμοποιήσετε την προέκταση. Για αγωγούς 6" / 152 mm και μικρότερους, δεν χρειάζεται προέκταση. Εάν χρειάζεται, σφίξτε καλά με το χέρι την προέκταση στην κεφαλή RR3000 - μην τη σφίγγετε υπερβολικά. Η χρήση κεφαλής RR3000 σε αγωγό μεγαλύτερο από 6" και μέχρι και 9" / 152 mm ή μέχρι και 229 mm χωρίς προέκταση, ή σε αγωγούς μεγαλύτερους από 9" / 229 mm μπορεί να επιτρέψει στην κεφαλή να αλλάξει κατεύθυνση μέσα στον αγωγό, να βγει στην πλευρά του χρήστη και να προκαλέσει σοβαρό τραυματισμό (Εικόνα 12).

9. Σφίξτε καλά με το χέρι την κεφαλή στο άκρο του λάστιχου - μην τη σφίγγετε υπερβολικά. Η υπερβολική σύσφιξη της κεφαλής μπορεί να προκαλέσει ζημιά στην κεφαλή και να μειώσει την απόδοση.
10. Επιθεωρήστε το λάστιχο με την κεφαλή συνδεδεμένη μέσα στον αγωγό και ανοίξτε τη βαλβίδα παροχής εισόδου. Επιβεβαιώστε ότι υπάρχει ανεμπόδιστη ροή νερού από την κεφαλή και κλείστε τη βαλβίδα παροχής εισόδου.



**Εικόνα 12 - Κεφαλή RR3000 με προέκταση**

## ΠΙΝΑΚΑΣ ΕΠΙΛΟΓΗΣ ΛΑΣΤΙΧΟΥ ΠΙΕΣΤΙΚΟΥ

	Εφαρμογές	Μέγεθος σωλήνα in./ mm	Μέγεθος κεφαλής in./ mm	Μέγεθος λάστιχου (εσωτ. διάμ.) in./ mm	Μέγεθος λάστιχου (εξωτ. διάμ.) in./ mm
KJ-2200	Νιπτήρες, ουρητήρια και μικροί αγωγοί.	1 1/4 - 2 / 32 - 50	1/8 / 3,2 NPT	1/8 / 3,2	3/16 / 4,8
	Νεροχύτες κουζίνας, νιπτήρες, σιφόνια.	2 - 3 / 50 - 76	1/8 / 3,2 NPT	3/16 / 4,8	1/4 / 6,4
	Αποχετευτικοί αγωγοί ντουζιέρας και δαπέδου, δευτερεύοντες αγωγοί και σιφόνια κατακράτησης λιπών.	3 - 4 / 76 - 101	1/4 / 6,4 NPT	1/4 / 6,4	1/2 / 13
	Κεντρικοί και δευτερεύοντες αγωγοί.	4 - 6 / 101 - 152	1/4 / 6,4 NPT	1/4 / 6,4	1/2 / 13
KJ-3100	Σωλήνες νιπτήρων, σιφόνια και σωλήνες εξαερισμού.	2 - 3 / 50 - 76	1/8 / 3,2 NPT	3/16 / 4,8	1/4 / 6,4
	Αποχετευτικοί αγωγοί δαπέδου, δευτερεύοντες αγωγοί και σιφόνια κατακράτησης λιπών.	3 - 4 / 76 - 101	1/4 / 6,4 NPT	3/8 / 9,5	5/8 / 16
	Κεντρικοί και δευτερεύοντες αγωγοί.	4 - 10 / 101 - 250	1/4 / 6,4 NPT	3/8 / 9,5	5/8 / 16

## ΠΙΝΑΚΑΣ ΕΠΙΛΟΓΗΣ ΚΕΦΑΛΗΣ ΠΙΕΣΤΙΚΟΥ

KJ-2200	Μέγεθος σπειρώματος, in. / mm	1/8 / 3,2 NPT	1/4 / 6,4 NPT
	Μέγεθος λάστιχου (εσωτερική διάμετρος), in. / mm	1/8 & 3/16 / 3,2 & 4,8	1/4 / 6,4
	Μέγεθος λάστιχου (εξωτερική διάμετρος), in. / mm	3/16 & 1/4 / 4,8 & 6,4	1/2 / 13
	Διαθέτει τρεις οπίσθιες εξόδους για μέγιστη προώθηση. Για μεγάλες αποστάσεις. Χρησιμοποιήστε αυτή την κεφαλή για τις περισσότερες εφαρμογές.	<b>H-61</b>	<b>H-71</b>
	Χρησιμοποιεί τρεις οπίσθιες εξόδους και μια μπροστινή έξοδο προκειμένου να διαπεράσει εμπόδια από συμπαγές γράσο ή λάσπη. Η μπροστινή έξοδος ανοίγει μία μικρή οπή στο εμπόδιο για να περάσει στη συνέχεια η κεφαλή. Είναι επίσης πολύ αποτελεσματικό στην απομάκρυνση εμποδίων από πάγο.	<b>H-62</b>	<b>H-72</b>
	Χρησιμοποιήστε τη σπαστή κεφαλή σε δύσκολες καμπύλες. Αυτή η κεφαλή έχει τρεις οπίσθιες εξόδους.	<b>H-64</b>	
	Χρησιμοποιήστε την κεφαλή τούρμπο για τον καθαρισμό αγωγών που έχουν φράξει από λίπη ή παρόμοια υλικά.	<b>H-65</b>	<b>H-75</b>
KJ-3100	Μέγεθος σπειρώματος, in. / mm	1/8 / 3,2 NPT	1/4 / 6,4 NPT
	Μέγεθος λάστιχου (εσωτερική διάμετρος), in. / mm	3/16 / 4,8	3/8 / 9,5
	Μέγεθος λάστιχου (εξωτερική διάμετρος), in. / mm	1/4 / 6,4	5/8 / 16
	Διαθέτει τέσσερις (4) οπίσθιες εξόδους για μέγιστη προώθηση. Για μεγάλες αποστάσεις. Χρησιμοποιήστε αυτή την κεφαλή στις περισσότερες εφαρμογές.	<b>H-101</b>	<b>H-111</b>
	Χρησιμοποιεί τρεις οπίσθιες εξόδους και μια μπροστινή έξοδο προκειμένου να διαπεράσει εμπόδια από συμπαγές γράσο ή λάσπη. Η μπροστινή έξοδος ανοίγει μία μικρή οπή στο εμπόδιο για να περάσει στη συνέχεια η κεφαλή. Είναι επίσης πολύ αποτελεσματικό στην απομάκρυνση εμποδίων από πάγο.	<b>H-102</b>	<b>H-112</b>
	Χρησιμοποιήστε τη σπαστή κεφαλή σε δύσκολες καμπύλες. Αυτή η κεφαλή έχει τέσσερις (4) οπίσθιες εξόδους.	<b>H-104</b>	
	Χρησιμοποιήστε την περιστρεφόμενη κεφαλή για τον καθαρισμό αγωγών που έχουν φράξει από λίπη ή παρόμοια υλικά.	<b>H-105</b>	<b>H-115</b>
Χρησιμοποιήστε την για την απομάκρυνση ριζών και άλλων τύπων αποφράξεων. ΣΗΜΕΙΩΣΗ! Χρησιμοποιήστε την προέκταση για να σταθεροποιήσετε την κεφαλή RR3000 κατά την απόφραξη αγωγών διαμέτρου 8" / 200 mm.		<b>RR3000</b>	



## Οδηγίες λειτουργίας

### ⚠ ΠΡΟΕΙΔΟΠΟΙΗΣΗ



Να φοράτε πάντοτε ειδικά προστατευτικά γυαλιά για να προστατεύετε τα μάτια σας από ακαθαρσίες και άλλα ξένα αντικείμενα. Να φοράτε πάντοτε προστατευτικό εξοπλισμό κατάλληλο για το περιβάλλον εργασίας.

Μην χρησιμοποιείτε ποτέ το πιεστικό νερού με το άκρο του λάστιχου έξω από τον αγωγό αποχέτευσης. Το λάστιχο μπορεί να εκτιναχθεί και να χτυπήσει κάποιο άτομο ή νερό υπό πίεση μπορεί να διαπεράσει το δέρμα και να προκαλέσει σοβαρό τραυματισμό.

Νερό υπό υψηλή πίεση μπορεί διαπεράσει το δέρμα προκαλώντας σοβαρό τραυματισμό ή και ακρωτηριασμό. Μην κατευθύνετε το νερό απευθείας πάνω σε ανθρώπους ή ζώα.

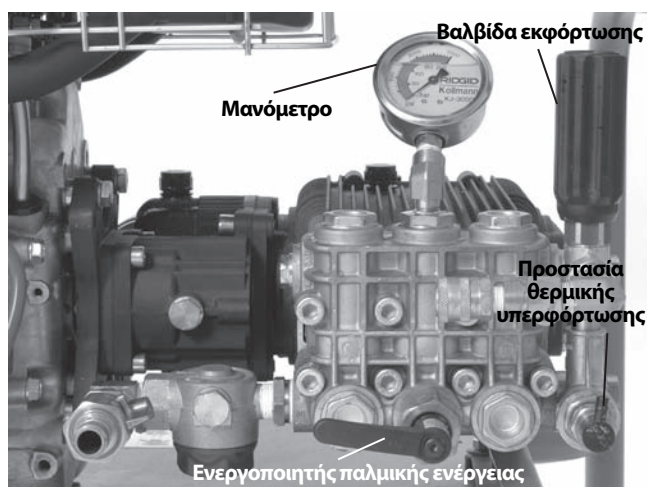
Μη χρησιμοποιείτε το πιεστικό με πίεση μεγαλύτερη από την ονομαστική ή σε θερμοκρασία πάνω από 140°F / 60°C (θερμοκρασία νερού εισόδου). Κάτι τέτοιο αυξάνει τον κίνδυνο τραυματισμού, εγκαυμάτων και ζημιών στο πιεστικό.

Ένα άτομο πρέπει να ελέγχει και τη διαδικασία ψεκασμού νερού και τον ποδοδιακόπτη. Χρησιμοποιείτε πάντοτε τον ποδοδιακόπτη. Εάν το λάστιχο βγει από τον αγωγό αποχέτευσης, ο χειριστής πρέπει να μπορεί να κλείσει την παροχή νερού ώστε να περιοριστεί ο κίνδυνος εκτίναξης του λάστιχου του πιεστικού, που μπορεί να χτυπήσει άτομα ή νερό υπό πίεση μπορεί να προκαλέσει τραυματισμούς.

Όταν χειρίζεστε και χρησιμοποιείτε εξοπλισμό απόφραξης αποχετεύσεων, να χρησιμοποιείτε πάντοτε κατάλληλο εξοπλισμό ατομικής προστασίας. Οι αποχετευτικοί αγωγοί ενδέχεται να περιέχουν χημικά, βακτηρίδια και άλλες ουσίες που ενδεχομένως να είναι τοξικές, μολυσματικές, να προκαλούν εγκαυματα ή άλλα προβλήματα. Ο κατάλληλος προσωπικός προστατευτικός εξοπλισμός πάντα περιλαμβάνει γυαλιά ασφαλείας και γάντια και μπορεί να περιλαμβάνει εξοπλισμό όπως γάντια από λάτεξ ή καουτσούκ, προστατευτικές προσωπίδες, γυαλιά προσωπίδες, προστατευτικό ρουχισμό, αναπνευστήρες και υποδήματα με χαλύβδινη μύτη.

Ακολουθήστε τις οδηγίες λειτουργίας για να περιορίσετε τον κίνδυνο τραυματισμού λόγω εκτίναξης του λάστιχου, έγχυσης υγρού υπό υψηλή πίεση, μονοξειδίου του άνθρακα ή άλλων αιτιών.

1. Βεβαιωθείτε ότι το μηχάνημα και ο χώρος εργασίας έχουν προετοιμαστεί σωστά και ότι δεν υπάρχουν παρευρισκόμενοι και άλλοι περιστασμοί στον χώρο εργασίας. Εάν το πιεστικό βρίσκεται μακριά από το σημείο χρήσης, ένα δεύτερο άτομο θα πρέπει να βρίσκεται στο πιεστικό.
2. Εισαγάγετε το λάστιχο με συνδεδεμένη την κεφαλή μέσα στον αγωγό κατά τουλάχιστον ένα μέτρο, ώστε το άκρο του λάστιχου να μη βγει έξω από τον αγωγό και να εκτιναχθεί όταν θέσετε σε λειτουργία το μηχάνημα.
3. Επιβεβαιώστε ότι έχετε γυρίσει το μοχλό ενεργοποίησης παλμικής ενέργειας στη θέση "Πίεση" (Εικόνα 16).
4. Ανοίξτε τη βαλβίδα παροχής εισόδου. Μη θέτετε ποτέ σε λειτουργία τον κινητήρα εάν δεν έχετε ανοίξει την παροχή νερού. Κάτι τέτοιο μπορεί να καταστρέψει την αντλία.
5. Πατήστε τον ποδοδιακόπτη για να ελαττώσετε την πίεση και αφήστε τον κινητήρα να τεθεί σε λειτουργία. Επιβεβαιώστε ότι υπάρχει ανεμπόδιστη ροή νερού από την κεφαλή. Ακολουθώντας τις οδηγίες εκκίνησης που παρέχονται στο εγχειρίδιο κινητήρα, θέστε σε λειτουργία τον κινητήρα. Αφήστε τον κινητήρα να ζεσταθεί.



Σχήμα 13 - Χειριστήρια

6. Γυρίστε τη βαλβίδα εκφόρτωσης ενόσω παρακολουθείτε το μανόμετρο για να ρυθμίσετε την πίεση στην τιμή που επιθυμείτε (δεξιόστροφα για να αυξήσετε την πίεση, αριστερόστροφα για να τη μειώσετε). Μην υπερβαίνετε την ονομαστική πίεση του μηχανήματος που χρησιμοποιείται. Μην ασκείτε πίεση στη βαλβίδα εκφόρτωσης ούτε να χρησιμοποιείτε κλειδιά ή εργαλεία για να τη γυρίσετε. Κάτι τέτοιο θα προκαλέσει ζημιά στη βαλβίδα εκφόρτωσης.



Πιεστικό	Ονομαστική πίεση, PSI / bar
KJ-2200	2200 / 150
KJ-3100	3000 / 205

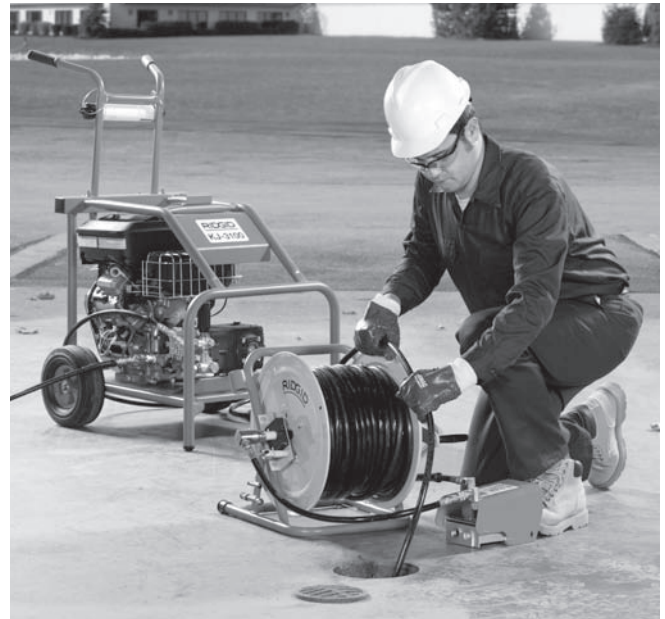
Εάν το πιεστικό δεν αποδίδει την ονομαστική πίεση ή η λειτουργία του είναι ακανόνιστη:

- Βεβαιωθείτε ότι η πεταλούδα του κινητήρα έχει ρυθμιστεί σωστά.
- Βεβαιωθείτε ότι η βαλβίδα παροχής εισόδου είναι εντελώς ανοικτή και άλλες βαλβίδες στο σύστημα παροχής είναι εντελώς ανοικτές.
- Γυρίστε τη βαλβίδα εκφόρτωσης δεξιόστροφα για να αυξήσετε την πίεση. Μην την πιέζετε περισσότερο από όσο χρειάζεται.
- Βεβαιωθείτε ότι ο ενεργοποιητής παλμικής ενέργειας είναι στη θέση "Πίεση".
- Τοποθετήστε εναλλάξ τον ενεργοποιητή παλμικής ενέργειας στις θέσεις "Πίεση" και "Παλμική ενέργεια" αρκετές φορές ενόσω η μονάδα λειτουργεί για να απομακρύνετε τυχόν παγιδευμένο αέρα από το σύστημα.
- Επιθεωρήστε το σύστημα για διαρροές. Να είστε προσεκτικοί κατά την επιθεώρηση ώστε να αποτραπούν τραυματισμοί. Εάν εντοπιστούν διαρροές, κλείστε το πιεστικό πριν από την επιδιόρθωση.
- Απενεργοποιήστε το πιεστικό. Ελέγξτε το φίλτρο εισόδου/τη ροδέλα φίλτρου και βεβαιωθείτε ότι είναι καθαρά.
- Βεβαιωθείτε ότι υπάρχει επαρκής ροή νερού προς το πιεστικό.
- Κλείστε το πιεστικό και τη βαλβίδα παροχής εισόδου. Αφαιρέστε την κεφαλή και καθαρίστε τα στόμια με το εργαλείο καθαρισμού κεφαλών.
- Λειτουργήστε το πιεστικό χωρίς κεφαλή προσαρτημένη στο λάστιχο για να απομακρύνετε αέρα ή υπολείμματα από το σύστημα. Πριν από την αφαίρεση ή τη σύνδεση της κεφαλής, κλείνετε το πιεστικό.

#### 7. Πάρτε κατάλληλη θέση εργασίας.

- Βεβαιωθείτε ότι μπορείτε να ελέγχετε την ενεργοποίηση/απενεργοποίηση του ποδοδιακόπτη. Μην πατήσετε ακόμα τον ποδοδιακόπτη.
- Βεβαιωθείτε ότι έχετε σταθερή ισορροπία και δεν χρειάζεται να τεντώνετε υπερβολικά.
- Πρέπει να μπορείτε να έχετε συνεχώς το ένα χέρι στο λάστιχο του πιεστικού για να ελέγχετε και να στηρίζετε το λάστιχο.
- Πρέπει να μπορείτε να φθάσετε το τύμπανο για να μαζέψετε/απλώσετε το λάστιχο.

Από αυτή τη θέση λειτουργίας θα μπορείτε να ελέγχετε άνετα το λάστιχο του πιεστικού.




Εικόνα 14 – Σωστή θέση εργασίας

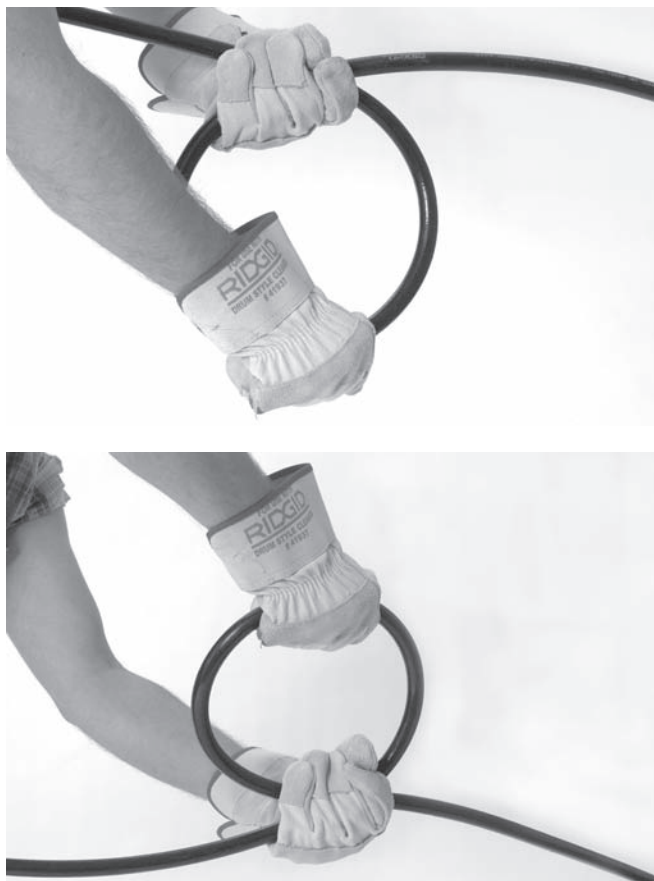
### Απόφραξη του αγωγού αποχέτευσης

Κατά την απόφραξη αγωγού, συνήθως το λάστιχο προωθείται σε όλο το μήκος του αγωγού που πρόκειται να αποφραχθεί και στη συνέχεια αποσύρεται αργά. Μ' αυτόν τον τρόπο νερό υπό υψηλή πίεση κατευθύνεται στα τοιχώματα του αγωγού και αφαιρεί τα υπολείμματα.

Απελευθερώστε τον πείρο ασφάλισης του τύμπανου. Έχοντας προωθήσει τουλάχιστον ένα μέτρο λάστιχου μέσα στον αγωγό και κρατώντας με το ένα χέρι το λάστιχο για να το ελέγχετε, πατήστε τον ποδοδιακόπτη. Οι οπίσθιες έξοδοι της κεφαλής φροντίζουν για την προώθηση του λάστιχου μέσα στον αγωγό. Προωθήστε το λάστιχο τόσο όσο χρειάζεται για να αποφραχθεί ο αγωγός. Αν το λάστιχο σταματήσει, σημαίνει ότι συνάντησε κάποιο εμπόδιο.

Εάν η κεφαλή δεν μπορεί να διαπεράσει κάποιο εμπόδιο, π.χ., καμπύλες (σιφόνια, γωνίες, κ.λπ.) ή φράξιμο:

- Ωθήστε δυνατά το λάστιχο.
- Περιστρέψτε το λάστιχο κατά ένα τέταρτο έως μισή στροφή ώστε να προσανατολίσετε το λάστιχο προς την καμπύλη (Εάν έχετε περιστρέψει το λάστιχο, αφού διαπεράσει το εμπόδιο, γυρίστε το στην αρχική του θέση για να μην τσακίσει) βλ. Εικόνα 15.
- Χρησιμοποιήστε την παλμική λειτουργία.  (βλ. την επόμενη ενότητα).
- Χρησιμοποιήστε ένα λάστιχο για σιφόνια ή λάστιχο μικρότερης διαμέτρου.



**Εικόνα 15 – Τρόπος περιστροφής του λάστιχου**

Αφού διαπεράσετε το εμπόδιο, καθαρίστε αυτό το τμήμα του αγωγού πριν προχωρήσετε. Προχωρήστε αρκετά μέτρα πέρα από την περιοχή του εμποδίου και τραβήξτε αργά την κεφαλή προς τα πίσω μέσα από την περιοχή του εμποδίου. Επαναλάβετε αυτή τη διαδικασία αρκετές φορές και κατόπιν προχωρήστε βαθύτερα στον αγωγό.

Παρακολουθείτε τη στάθμη νερού του αγωγού. Εάν η στάθμη νερού αυξηθεί πολύ, ενδεχομένως να χρειαστεί να απενεργοποιήσετε το πιεστικό και να αφήσετε το νερό να αποστραγγιστεί πριν συνεχίσετε. Η απόφραξη με τον αγωγό γεμάτο νερό είναι λιγότερο αποτελεσματική από ό,τι η απόφραξη όταν ο αγωγός είναι άδειος. Μην αφήνετε το πιεστικό να λειτουργεί για παρατεταμένο διάστημα με τον ποδοδιακόπτη κλειστό. Όταν ο ποδοδιακόπτης είναι κλειστός, το νερό ανακυκλοφορεί στην αντλία με αποτέλεσμα το νερό να θερμαίνεται. Κάτι τέτοιο μπορεί να ενεργοποιήσει την προστασία θερμικής υπερφόρτωσης της αντλίας.

Μόλις η κεφαλή φθάσει στην επιθυμητή απόσταση μέσα στον αγωγό, τραβήξτε αργά (1 ft / 30 cm το λεπτό για μεγάλες αποφράξεις) προς τα πίσω την κεφαλή μέσα από τον αγωγό. Με το ένα χέρι ελέγχετε το λάστιχο και με το άλλο μαζεύετε το λάστιχο στο τύμπανο. Παρακολουθεί-

τε καθώς η κεφαλή πλησιάζει στο στόμιο του αγωγού, ώστε να μην βγει έξω από τον αγωγό ενώ ακόμη υπάρχει ροή νερού. Κάτι τέτοιο θα μπορούσε να προκαλέσει εκτίναξη του λάστιχου και τραυματισμό από χτύπημα ή από υγρό υπό υψηλή πίεση. Ελέγχετε πάντοτε το λάστιχο. Αναζητήστε το σημάδι στο λάστιχο κοντά στην κεφαλή. Απελευθερώστε τον ποδοδιακόπτη για να κλείσετε τη ροή νερού.

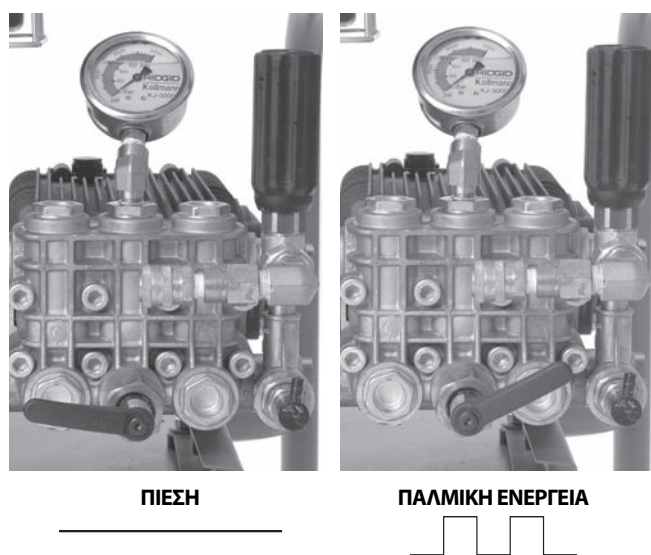
Σβήστε τον κινητήρα όπως υποδεικνύεται στο εγχειρίδιο κινητήρα και πατήστε τον ποδοδιακόπτη για να εκτονώσετε την πίεση του συστήματος. Μην αφήνετε ποτέ το σύστημα υπό πίεση. Εάν χρειάζεται, αλλάξτε την κεφαλή και συνεχίστε την απόφραξη ακολουθώντας την παραπάνω διαδικασία. Για πλήρη απόφραξη συνιστούμε να περάσετε το λάστιχο από τον αγωγό αρκετές φορές.

Όταν τελειώσετε, με το πιεστικό απενεργοποιημένο, αφαιρέστε την κεφαλή και ανοίξτε τη βαλβίδα παροχής εισόδου για να ξεπλύνετε την αντλία και το λάστιχο. Εάν χρησιμοποιείτε το πιεστικό σε κρύο καιρό, αδειάστε αμέσως το νερό από σύστημα για να μην προκληθεί ζημιά από πάγωμα του νερού. Για πληροφορίες σχετικά με την προστασία του μηχανήματος από πάγωμα, βλ. *Αποθήκευση μηχανήματος*.

### **Χρήση της παλμικής λειτουργίας**

Όταν το λάστιχο δεν μπορεί να διαπεράσει κάποια γωνία ή κάποιο εμπόδιο, πρέπει να χρησιμοποιήσετε την παλμική λειτουργία. Η παλμική λειτουργία δημιουργεί μεγάλη διακύμανση στην πίεση νερού η οποία προκαλεί τη δόνηση του λάστιχου, διευκολύνοντας έτσι την προώθησή του.

1. Γυρίστε το μοχλό ενεργοποίησης παλμικής ενέργειας δεξιόστροφα στη θέση "Παλμική ενέργεια". Στην παλμική λειτουργία, το μανόμετρο θα δείχνει χαμηλότερη πίεση από την μέγιστη. Αυτό είναι φυσιολογικό.



Εικόνα 16 – Θέση μοχλού ενεργοποιητή παλμικής ενέργειας

- Εάν χρειάζεται, ωθήστε δυνατά και περιστρέψτε το λάστιχο για να μπορέσετε να διαπεράσετε το εμπόδιο με την κεφαλή.
- Αφού το λάστιχο διαπεράσει το εμπόδιο, γυρίστε το μοχλό ενεργοποίησης παλμικής ενέργειας αριστερόστροφα στη θέση "Πίεση". Μην αφήνετε το πιεστικό στην παλμική λειτουργία περισσότερο από όσο απαιτείται για να διαπεράσετε ένα εμπόδιο. Η υπερβολική χρήση της παλμικής λειτουργίας μπορεί να προκαλέσει πρόωγη φθορά στα λάστιχα και το σύστημα.

### Χρήση του πιεστικού ως πλυστικό υψηλής πίεσης

Τα πιεστικά νερού της RIDGID μπορούν να χρησιμοποιηθούν επίσης ως πλυστικά υψηλής πίεσης με την προσθήκη του πλυστικού κιτ. Η χρήση του πλυστικού είναι παρόμοια με αυτή του πιεστικού γι' αυτό και πρέπει να χρησιμοποιήσετε τις παρούσες οδηγίες σε συνδυασμό με τις οδηγίες που ακολουθούν.

- Επιλέξτε κατάλληλο χώρο εργασίας.
- Βεβαιωθείτε ότι ελέγξατε σχολαστικά το σύνολο του εξοπλισμού.
- Προσαρτήστε το πιστόλι πλυστικού στο λάστιχο του πιστολιού. Χρησιμοποιείτε πάντοτε λάστιχο με ονομαστική πίεση τουλάχιστον ίδια με την ονομαστική πίεση του πιεστικού. Χρησιμοποιήστε στεγανωτικό σπειρωμάτων για να αποτρέψετε τυχόν διαρροές.
- Συνδέστε ένα λάστιχο στην έξοδο του πιεστικού. Βεβαιωθείτε ότι τα άκρα του λάστιχου είναι καλά συνδεδεμένα, ώστε να μην αποσυνδεθούν υπό πίεση.

- Συνδέστε κατάλληλη παροχή νερού, όπως περιγράφει παραπάνω, στο πιεστικό.
- Ανοίξτε τη βαλβίδα παροχής εισόδου και πιέστε τη σκανδάλη του πιστολιού ώστε να τρέξει νερό και να απομακρυνθεί τυχόν αέρας από το σύστημα. Μη θέτετε ποτέ σε λειτουργία τον κινητήρα εάν δεν έχετε ανοίξει την παροχή νερού. Κάτι τέτοιο μπορεί να καταστρέψει την αντλία.
- Βεβαιωθείτε ότι έχετε γυρίσει το μοχλό ενεργοποίησης παλμικής ενέργειας αριστερόστροφα στη θέση "Πίεση".
- Ρυθμίσεις κεφαλής για το πιστόλι πλυστικού - Περιστρέφοντας την κεφαλή, μπορείτε να αλλάξετε τον τρόπο διανομής νερού από λεπτή έως περιστροφική ροή. Τραβώντας την κεφαλή προς τα εμπρός (χαμηλή πίεση) και προς τα πίσω (υψηλή πίεση), μπορείτε να ρυθμίσετε την πίεση. Βεβαιωθείτε ότι έχετε τραβήξει την κεφαλή προς τα πίσω στη θέση υψηλής πίεσης για να αρχίσετε τη διαδικασία.



Εικόνα 17– Ρυθμίσεις κεφαλής για το πιστόλι πλυστικού

- Ασφάλιση του πιστολιού πλυστικού - το πιστόλι πλυστικού διαθέτει μία ασφάλεια στο πίσω μέρος της σκανδάλης. Κατεβάστε την ασφάλεια προς τα κάτω για να αποτρέψετε τη λειτουργία της σκανδάλης όταν το πιστόλι δεν είναι σε χρήση.
- Με το πιστόλι στραμμένο προς ασφαλή κατεύθυνση, πιέστε τη σκανδάλη για να ελαττώσετε την πίεση και αφήστε τον κινητήρα να τεθεί σε λειτουργία. Θέστε σε λειτουργία τον κινητήρα, σύμφωνα με τις οδηγίες που περιλαμβάνονται στο εγχειρίδιο κινητήρα. Αφήστε τον κινητήρα να ζεσταθεί. Μόλις ο κινητήρας τεθεί σε λειτουργία, αφήστε τη σκανδάλη.
- Με το πιστόλι στραμμένο προς ασφαλή κατεύθυνση, πιέστε τη σκανδάλη. Γυρίστε τη βαλβίδα εκφόρτωσης ενόσω παρακολουθείτε το μανόμετρο για να ρυθμίσετε την επιθυμητή πίεση. Μην υπερβαίνετε την ονομαστική πίεση του μηχανήματος. Αφήστε τη σκανδάλη του πιστολιού.



## Λειτουργία πλυστικού υψηλής πίεσης

1. Όταν χρησιμοποιείτε το μηχάνημα ως πλυστικό, χρησιμοποιείτε και τα δύο χέρια για να κρατάτε και να κατευθύνετε το πιστόλι για καλύτερο έλεγχο. Μην κατευθύνετε ποτέ το πιστόλι πλυστικού πάνω σε άτομα. Υγρό υπό υψηλή πίεση μπορεί διαπεράσει το δέρμα προκαλώντας σοβαρό τραυματισμό ή και ακρωτηριασμό. Μην κατευθύνετε ποτέ το πιστόλι προς ηλεκτρικό εξοπλισμό ή καλωδιώσεις για να περιοριστεί ο κίνδυνος ηλεκτροπληξίας.
2. Ελέγχετε τη ροή νερού με τη σκανδάλη. Να είστε προσεκτικοί όταν χρησιμοποιείτε το πλυστικό υψηλής πίεσης. Μην κρατάτε την κεφαλή πολύ κοντά σε κάποια επιφάνεια γιατί μπορεί να της προκαλέσετε ζημιά. Δοκιμάστε τις ρυθμίσεις που επιθυμείτε να χρησιμοποιήσετε για τη συγκεκριμένη εργασία σε μία μικρή, δυσδιάκριτη περιοχή.
3. Μην αφήνετε το πιεστικό να λειτουργεί για παρατεταμένο διάστημα με τη σκανδάλη κλειστή. Όταν η σκανδάλη είναι κλειστή, το νερό ανακυκλοφορεί στην αντλία με αποτέλεσμα το νερό να θερμαίνεται. Κάτι τέτοιο μπορεί να ενεργοποιήσει την προστασία θερμικής υπερφόρτωσης της αντλίας.
4. Μόλις ολοκληρωθεί η πλύση υψηλής πίεσης, αφήστε τη σκανδάλη και σβήστε τον κινητήρα σύμφωνα με τις οδηγίες του εγχειριδίου κινητήρα. Πιέστε τη σκανδάλη για να εκτονώσετε την πίεση του συστήματος. Μην αφήνετε ποτέ το σύστημα υπό πίεση.

## Εγχυτήρας απορρυπαντικού

1. Εάν χρειάζεται, προσαρτήστε τον εγχυτήρα απορρυπαντικού στη θύρα εξόδου. Αφαιρέστε το λάστιχο εξόδου και προσαρτήστε τον εγχυτήρα απορρυπαντικού με το βέλος της μονάδας να δείχνει προς την ίδια κατεύθυνση με τη ροή νερού. Χρησιμοποιήστε στεγανωτικό σπειρωμάτων για να αποτρέψετε τυχόν διαρροές. Συνδέστε ξανά το λάστιχο εξόδου.
2. Συνδέστε το λάστιχο στον εγχυτήρα απορρυπαντικού. Τοποθετήστε το άκρο του λάστιχου με το φίλτρο στο δοχείο απορρυπαντικού. Χρησιμοποιείτε μόνο απορρυπαντικά που είναι σχεδιασμένα για χρήση με πλυστικά υψηλής πίεσης. Ακολουθήστε όλες τις οδηγίες που αφορούν το απορρυπαντικό. Μην ψεκάζετε εύφλεκτα υγρά ή τοξικά χημικά. Η χρήση άλλων απορρυπαντικών, διαλυμάτων, καθαριστικών, κ.λ.π. μπορεί να προκαλέσει ζημιά στο πιεστικό ή να προκαλέσει σοβαρό τραυματισμό.
3. Κατά την πλύση υψηλής πίεσης, απορρυπαντικό διανέμεται μόνο όταν η κεφαλή του πιστολιού είναι στη θέση χαμηλής πίεσης. Τραβήξτε την κεφαλή προς τα εμπρός στη θέση χαμηλής πίεσης για να διανεμηθεί απορρυπαντικό.

4. Κατά τη λειτουργία, ο ρυθμός παροχής απορρυπαντικού μπορεί να ρυθμιστεί στρέφοντας το περίβλημα του εγχυτήρα απορρυπαντικού. Στρέφοντας το αριστερόστροφα αυξάνεται η ποσότητα του απορρυπαντικού, ενώ δεξιόστροφα μειώνεται.
5. Όταν ολοκληρωθεί η εφαρμογή απορρυπαντικού, αφαιρέστε το φίλτρο από το απορρυπαντικό, τοποθετήστε το σε έναν κουβά με καθαρό νερό και ξεπλύνετε το σύστημα για να απομακρυνθούν τα υπολείμματα απορρυπαντικού.

## Οδηγίες συντήρησης

### ⚠ ΠΡΟΕΙΔΟΠΟΙΗΣΗ

**Πριν εκτελέσετε οποιαδήποτε εργασίες συντήρησης, πρέπει να κλείσετε το διακόπτη του κινητήρα και να αποσυνδέσετε τα καλώδια των μπουζί για να αποτραπεί ακούσια λειτουργία. Πιέστε τον ποδοδιακόπτη ή τη σκανδάλη του πιστολιού για να εκτονώσετε τυχόν πίεση υγρού στο σύστημα.**

**Όταν εκτελείτε εργασίες συντήρησης, μην παραλείπετε να φοράτε πάντοτε γυαλιά ασφαλείας και γάντια, ώστε να προστατεύεστε από χημικά και βακτήρια που μπορεί να υπάρχουν στον αγωγό.**

### Καθαρισμός

Το λάστιχο πρέπει να καθαρίζεται όποτε χρειάζεται με ζεστή σαπουνάδα και/ή απολυμαντικά. Προσέξτε να μην εισέλθει νερό στον κινητήρα ή στο ηλεκτρικό σύστημα. Μην καθαρίζετε με πλυστικό υψηλής πίεσης. Σκουπίστε τη μονάδα με βρεγμένο πανί.

### Κινητήρας

Εκτελείτε συντήρηση στον κινητήρα σύμφωνα με τις οδηγίες του εγχειριδίου χειριστή κινητήρα που παρέχεται με την μονάδα.

### Λίπανση αντλίας

Πριν από τη χρήση, ελέγξτε τη στάθμη λαδιού της αντλίας. Τοποθετήστε το πιεστικό σε επίπεδη επιφάνεια. Σκουπίστε ακαθαρσίες και υπολείμματα από την περιοχή της ράβδου μέτρησης στάθμης λαδιού και αφαιρέστε τη ράβδο μέτρησης στάθμης λαδιού - ελέγξτε τη στάθμη λαδιού. Εάν χρειάζεται, προσθέστε λάδι SAE 30W χωρίς απορρυπαντικό. Μην υπερχειλίζετε. Ξανατοποθετήστε στη θέση της τη ράβδο μέτρησης στάθμης λαδιού.

Αλλάξτε το λάδι της αντλίας μετά τις πρώτες 50 ώρες λειτουργίας και κάθε 500 ώρες λειτουργίας εφεξής. Με την αντλία κόμη ζεστή από τη λειτουργία, αφαιρέστε την τάπα από το κάτω μέρος της αντλίας και αποστραγγίστε το λάδι σε κατάλληλο δοχείο. Ξανατοποθετήστε την τάπα. Γεμίστε με περίπου 32 oz / 0,9 κιλά λάδι SAE 30W χωρίς απορρυπαντικό χρησιμοποιώντας τη διαδικασία ελέγχου.



## Λίπανση κιβωτίου οδοντοτροχών

Πριν από τη χρήση, ελέγξτε τη στάθμη λαδιού του κιβωτίου οδοντοτροχών. Τοποθετήστε το πιεστικό σε επίπεδη επιφάνεια. Σκουπίστε ακαθαρσίες και υπολείμματα από την περιοχή της ράβδου μέτρησης στάθμης λαδιού και αφαιρέστε τη ράβδο μέτρησης στάθμης λαδιού - ελέγξτε τη στάθμη λαδιού. Εάν χρειάζεται, προσθέστε λιπαντικό γραναζιών SAE 90W. Μην υπερχειλίζετε. Ξανατοποθετήστε στη θέση της τη ράβδο μέτρησης στάθμης λαδιού.

Αλλάζετε το λάδι του κιβωτίου οδοντοτροχών κάθε 500 ώρες λειτουργίας. Με το κιβώτιο οδοντοτροχών ακόμη ζεστό από τη λειτουργία, αφαιρέστε την τάπα από το κάτω μέρος του κιβωτίου οδοντοτροχών και αποστραγγίστε το λάδι σε κατάλληλο δοχείο. Ξανατοποθετήστε την τάπα. Γεμίστε με περίπου 8 oz / 0,2 κιλά λιπαντικό λάδι γραναζιών SAE 90W χρησιμοποιώντας τη διαδικασία ελέγχου.

## Προετοιμασία αντλίας για αποθήκευση σε κρύο καιρό

**ΕΠΙΣΗΜΑΝΣΗ** Εάν το πιεστικό πρόκειται να αποθηκευτεί σε συνθήκες που η θερμοκρασία είναι κοντά ή κάτω από 32°F / 0°C, το πιεστικό πρέπει να προετοιμαστεί κατάλληλα. Εάν το νερό παγώσει μέσα στην αντλία, θα της προκαλέσει ζημιά.

Υπάρχουν δύο μέθοδοι προετοιμασίας του πιεστικού για αποθήκευση σε κρύο καιρό. Η πρώτη είναι να ανοίξετε όλες τις βαλβίδες του συστήματος και να χρησιμοποιήσετε πεπιεσμένο αέρα για να απομακρύνετε τυχόν νερό από το σύστημα. Αυτή η μέθοδος μπορεί επίσης να χρησιμοποιηθεί για να αφαιρέσετε νερό από τα λάστιχα.

Η δεύτερη μέθοδος χρησιμοποιεί αντιπηκτικό RV (αντιπηκτικό χωρίς αιθυλενογλυκόλη). Μην χρησιμοποιείτε αντιπηκτικό αιθυλενογλυκόλης στην αντλία του πιεστικού. Η αιθυλενογλυκόλη δεν μπορεί να χρησιμοποιηθεί σε αποχετευτικά συστήματα.

1. Προσαρτήστε ένα τμήμα λάστιχου 3' / 90 cm στην βαλβίδα παροχής εισόδου και ανοίξτε τη βαλβίδα.
2. Τοποθετήστε το άκρο του λάστιχου στο δοχείο του αντιπηκτικού RV.
3. Αφαιρέστε την κεφαλή από το άκρο του λάστιχου.
4. Θέστε σε λειτουργία το πιεστικό και λειτουργήστε το έως ότου αρχίσει να βγαίνει αντιπηκτικό από το άκρο του λάστιχου.

## Εξαρτήματα

### ⚠ ΠΡΟΕΙΔΟΠΟΙΗΣΗ

**Για να μειωθεί ο κίνδυνος σοβαρού τραυματισμού, χρησιμοποιείτε μόνο τα εξαρτήματα που είναι ειδικά σχεδιασμένα και συνιστώνται για χρήση με τα πιεστικά νερού της RIDGID όπως αυτά που αναφέρονται παρακάτω. Άλλα εξαρτήματα κατάλληλα για χρήση με άλλα εργαλεία μπορεί να είναι επικίνδυνα αν χρησιμοποιηθούν με το πιεστικό νερού της RIDGID.**

**Κεφαλές και λάστιχα KJ-2200**

Αρ. καταλόγου	Αρ. μοντέλου	Περιγραφή	Εσ. διάμ. λάστιχου in. / mm	Εξ. διάμ. λάστιχου in. / mm
64772	H-61	Κεφαλή προώθησης		
64777	H-62	Διαπεραστική κεφαλή		
64782	H-64	Σπαστή κεφαλή		
82842	H-65	Κεφαλή τούρμπο 2200		
64787	H-71	Κεφαλή προώθησης		
64792	H-72	Διαπεραστική κεφαλή		
82852	H-75	Κεφαλή τούρμπο 2200		
47592	H-1425	1/4" x 25' / 6,4 mm x 7,6 m	3/16 / 4,8	1/4 / 6,4
47597	H-1435	1/4" x 35' / 6,4 mm x 10,7 m	3/16 / 4,8	1/4 / 6,4
47602	H-1450	1/4" x 50' / 6,4 mm x 15,2 m Λάστιχο για σιφόνια 1/4" / 6,4 mm	3/16 / 4,8	1/4 / 6,4
49272	H-1475	1/4" x 75' / 6,4 mm x 22,9 m Πορτοκαλί	3/16 / 4,8	1/4 / 6,4
49277	H-1400	1/4" x 100' / 6,4 mm x 30,5 m	3/16 / 4,8	1/4 / 6,4
64732	H-1415	1/4" x 150' / 6,4 mm x 45,7 m	3/16 / 4,8	1/4 / 6,4
50002	HL-1	Εύκαμπτος οδηγός λάστιχου, 1/4" / 6,4 mm	1/8 / 3,2	3/16 / 4,8
50007	HL-2	Εύκαμπτος οδηγός λάστιχου, 1/2" / 13 mm	1/8 / 3,2	3/16 / 4,8
47607	H-1250	1/2" x 50' / 13 mm x 15,2 m	1/4 / 6,4	1/2 / 13
47612	H-1275	1/2" x 75' / 13 mm x 22,9 m	1/4 / 6,4	1/2 / 13
47617	H-1200	1/2" x 100' / 13 mm x 30,5 m	1/4 / 6,4	1/2 / 13
51587	H-1211	1/2" x 110' / 13 mm x 33,5 m Λάστιχο ψεκασμού 1/2" / 13 mm	1/4 / 6,4	1/2 / 13
49487	H-1215	1/2" x 150' / 13 mm x 45,7 m Μαύρο	1/4 / 6,4	1/2 / 13
51597	H-1220	1/2" x 200' / 13 mm x 61 m	1/4 / 6,4	1/2 / 13

**Εξαρτήματα πιεστικού KJ-2200**

Αρ. καταλόγου	Αρ. μοντέλου	Περιγραφή
62882	H-5	Μίνι τύμπανο (δεν περιλαμβάνεται λάστιχο)
64737	H-30	Καρότσι με τύμπανο H-30
62877	H-30 WH	Καρότσι H-30 με τύμπανο λάστιχου και λάστιχο ψεκασμού 110' / 33,5 m x 1/2" / 13 mm
64077	HP-22	Πλυστικό κιτ, KJ-2200
64767	HW-22	Πιστόλι πλυστικού, KJ-2200
51572	H-1235	Λάστιχο για πιστόλι πλυστικού 1/2" / 13 mm x 35' / 10,7 m
48157	FV-1	Ποδοδιακόπτης
66732	HF-4	Λάστιχο ταχυσύνδεσης
48367	H-25	Κιτ προστασίας χειμώνα
47542	H-21	Εργαλείο καθαρισμού κεφαλών
67187	H-32	Λάστιχο αναρρόφησης

**Κεφαλές και λάστιχα KJ-3100**

Αρ. καταλόγου	Αρ. μοντέλου	Περιγραφή	Εσ. διάμ. λάστιχου in. / mm	Εξ. διάμ. λάστιχου in. / mm
38698	H-101	Κεφαλή προώθησης		
38713	H-102	Διαπεραστική κεφαλή		
38703	H-104	Σπαστή κεφαλή		
38723	H-105	Κεφαλή τούρμπο 1/8" / 3,2 mm NPT		
38693	H-111	Κεφαλή προώθησης		
38708	H-112	Διαπεραστική κεφαλή		
38718	H-1155	Κεφαλή τούρμπο 1/4" / 6,4 mm NPT		
16713	RR3000	Ριζοκόπτης		
47592	H-1425	Λάστιχο για σιφόνια 1/4" / 6,4 mm x 25' / 7,6 m	3/16 / 4,8	1/4 / 6,4
47597	H-1435	Λάστιχο για σιφόνια 1/4" / 6,4 mm x 35' / 10,7 m Λάστιχο για σιφόνια 1/4" / 6,4 mm	3/16 / 4,8	1/4 / 6,4
47602	H-1450	Λάστιχο για σιφόνια 1/4" / 6,4 mm x 50' / 15,2 m Πορτοκαλί	3/16 / 4,8	1/4 / 6,4
49272	H-1475	Λάστιχο για σιφόνια 1/4" / 6,4 mm x 75' / 22,9 m	3/16 / 4,8	1/4 / 6,4
49277	H-1400	Λάστιχο για σιφόνια 1/4" / 6,4 mm x 100' / 30,5 m	3/16 / 4,8	1/4 / 6,4
64732	H-1415	Λάστιχο για σιφόνια 1/4" / 6,4 mm x 150' / 45,7 m	3/16 / 4,8	1/4 / 6,4
64827	H-3835	Λάστιχο πλυστικού 3/8" / Εσ.Δ. 9,5 mm x 35' / 10,7 m	3/8 / 9,5	5/8" / 16
64832	H-3850	Λάστιχο ψεκασμού 3/8" / Εσ.Δ. 9,5 mm x 50' / 15,2 m	3/8 / 9,5	5/8" / 16
64837	H-3810	Λάστιχο ψεκασμού 3/8" / Εσ.Δ. 9,5 mm x 100' / 30,5 m Λάστιχο ψεκασμού 3/8" / 9,5 mm	3/8 / 9,5	5/8" / 16
64842	H-3815	Λάστιχο ψεκασμού 3/8" / Εσ.Δ. 9,5 mm x 150' / 45,7 m Μαύρο	3/8 / 9,5	5/8" / 16
64847	H-3820	Λάστιχο ψεκασμού 3/8" / Εσ.Δ. 9,5 mm x 200' / 61 m	3/8 / 9,5	5/8" / 16
64852	H-3825	Λάστιχο ψεκασμού 3/8" / Εσ.Δ. 9,5 mm x 250' / 76,2 m	3/8 / 9,5	5/8" / 16
64857	H-3830	Λάστιχο ψεκασμού 3/8" / Εσ.Δ. 9,5 mm x 300' / 91,4 m	3/8 / 9,5	5/8" / 16

**Εξαρτήματα πιεστικού KJ-3100**

Αρ. καταλόγου	Αρ. μοντέλου	Περιγραφή
62882	H-5	Μίνι τύμπανο
64862	H-38	Τύμπανο (για KJ-3100)
64902	H-38 WH	Τύμπανο με λάστιχο 200' / 61 m x 3/8" / Εσ.Δ. 9,5 mm (για KJ-3100)
64797	HW-30	Πιστόλι πλυστικού, KJ-3100
48367	H-25	Κιτ προστασίας χειμώνα
48157	FV-1	Ποδοδιακόπτης
66732	HF-4	Λάστιχο ταχυσύνδεσης (τύμπανο με ποδοδιακόπτη)
47542	H-21	Εργαλείο καθαρισμού κεφαλών
67187	H-32	Λάστιχο αναρρόφησης

## Αποθήκευση μηχανήματος

**⚠ ΠΡΟΕΙΔΟΠΟΙΗΣΗ** Αποθηκεύστε το πιεστικό σε χώρο με καλό εξαερισμό προστατευμένο από τη βροχή και το χιόνι. Το μηχάνημα πρέπει να φυλάσσεται σε κλειδωμένο χώρο μακριά από παιδιά και άτομα που δεν είναι εξοικειωμένα με τον χειρισμό πιεστικών. Αυτό το μηχάνημα μπορεί να προκαλέσει σοβαρό τραυματισμό σε χέρια ανειδίκευτων χρηστών. Για πληροφορίες σχετικά με την αποθήκευση σε κρύο καιρό, βλ. ενότητα *Συντήρηση*. Για ειδικές οδηγίες σχετικά με την αποθήκευση του κινητήρα, βλ. το εγχειρίδιο χειριστή κινητήρα.

## Σέρβις και επισκευή

### ⚠ ΠΡΟΕΙΔΟΠΟΙΗΣΗ

**Ακατάλληλο σέρβις ή επισκευή μπορεί να καταστήσει το μηχάνημα μη ασφαλές για λειτουργία.**

Στις "Οδηγίες συντήρησης" περιλαμβάνονται οι περισσότερες ανάγκες σέρβις αυτού του μηχανήματος. Προβλήματα που δεν αναφέρονται σ' αυτή την ενότητα πρέπει να αντιμετωπίζονται μόνο από εξουσιοδοτημένους τεχνικούς σέρβις της RIDGID.

Το μηχάνημα θα πρέπει να αποστέλλεται στο ανεξάρτητο εξουσιοδοτημένο κέντρο σέρβις της RIDGID ή να επιστρέφεται στο εργοστάσιο.

Για πληροφορίες σχετικά με το πλησιέστερο ανεξάρτητο εξουσιοδοτημένο κέντρο σέρβις της RIDGID στην περιοχή σας, ή για απορίες σχετικά με το σέρβις ή τις επισκευές:

- Επικοινωνήστε με τον τοπικό διανομέα RIDGID.
- Επισκεφθείτε τη διεύθυνση [www.RIDGID.com](http://www.RIDGID.com) ή [www.RIDGID.eu](http://www.RIDGID.eu) για να βρείτε το πλησιέστερο σημείο επαφής της RIDGID στην περιοχή σας.
- Επικοινωνήστε με το τμήμα τεχνικής υποστήριξης της RIDGID στην ηλεκτρονική διεύθυνση [rtctechservices@emerson.com](mailto:rtctechservices@emerson.com) ή, για ΗΠΑ και Καναδά, καλέστε στο (800) 519-3456.

## Απόρριψη

Εξαρτήματα του πιεστικού περιέχουν πολύτιμα υλικά και μπορούν να ανακυκλωθούν. Εταιρείες ανακύκλωσης υπάρχουν και κατά τόπους. Η απόρριψη των εξαρτημάτων πρέπει να γίνεται σύμφωνα με όλους τους ισχύοντες κανονισμούς. Επικοινωνήστε με την υπηρεσία διαχείρισης απορριμμάτων της περιοχής σας για περισσότερες πληροφορίες.



**Για χώρες της ΕΚ:** Μην απορρίπτετε τον ηλεκτρικό εξοπλισμό μαζί με τα οικιακά απορρίμματα!

Σύμφωνα με την Ευρωπαϊκή Οδηγία 2002/96/ΕΚ για τα απόβλητα ηλεκτρικού και ηλεκτρονικού εξοπλισμού και την ενσωμάτωσή της στην τοπική νομοθεσία των χωρών, ο ηλεκτρικός εξοπλισμός που δεν μπορεί πλέον να χρησιμοποιηθεί πρέπει να συλλέγεται ξεχωριστά και να απορρίπτεται με τρόπο φιλικό προς το περιβάλλον.

## Επίλυση προβλημάτων

ΠΡΟΒΛΗΜΑ	ΑΙΤΙΑ	ΔΙΟΡΘΩΣΗ
<p>Το πιεστικό λειτουργεί αλλά παράγει χαμηλή ή καθόλου πίεση.</p>	<p>Ανεπαρκής παροχή νερού.</p>	<p>Βεβαιωθείτε ότι η κάνουλα παροχής νερού είναι ανοικτή <b>ΑΝΟΙΚΤΗ</b>.</p>
<p>Το πιεστικό δεν φθάνει στη μέγιστη πίεση λειτουργίας κατά την εκκίνηση.</p>	<p>Υπάρχει αέρας στο σύστημα.</p>	<p>Βεβαιωθείτε ότι η αντλία παροχής εισόδου του πιεστικού είναι <b>ΑΝΟΙΚΤΗ</b>.</p>
<p>Το μανόμετρο του πιεστικού ταλαντεύεται μεταξύ της ένδειξης 500 και της μέγιστης πίεσης λειτουργίας.</p>	<p>Οι έξοδοι της κεφαλής του πιεστικού έχουν φράξει.</p>	<p>Βεβαιωθείτε ότι το λάστιχο παροχής νερού δεν είναι φραγμένο, ούτε λυγισμένο ή πεπιεσμένο.</p>
	<p>Οι έξοδοι της κεφαλής του πιεστικού έχουν φράξει.</p>	<p>Αφαιρέστε την κεφαλή από το λάστιχο και λειτουργήστε το πιεστικό για να απομακρύνετε τον αέρα/υπολείμματα από το σύστημα.</p>
	<p>Οι έξοδοι της κεφαλής του πιεστικού έχουν φράξει.</p>	<p>Αφαιρέστε την κεφαλή και καθαρίστε τα στόμια εξόδου της κεφαλής με το εργαλείο καθαρισμού κεφαλών.</p>
	<p>Υπολείμματα ή αέρας στο σύστημα.</p>	<p>Αφαιρέστε την κεφαλή. Χρησιμοποιήστε το εργαλείο καθαρισμού κεφαλών για να καθαρίσετε τα στόμια: επιλέξτε σωστό μέγεθος σύρματος και ωθήστε το μέχρι μέσα σε κάθε στόμιο εξόδου της κεφαλής για να αφαιρέσετε τις ακαθαρσίες.</p>
		<p>Αφαιρέστε την κεφαλή και εισαγάγετε το λάστιχο στον αγωγό αποχέτευσης. Λειτουργήστε το πιεστικό για να απομακρύνετε τον αέρα ή τα υπολείμματα.</p>



# Vodeni mlaznik

## KJ-2200/3100 Strojevi za mlazno pranje



KJ-3100



KJ-2200

### **⚠ UPOZORENJE!**

Prije uporabe alata pažljivo pročitajte ovaj priručnik za korisnika. Posljedica nepoštivanja i nerazumijevanja uputa iz ovog priručnika može biti strujni udar, požar i/ili teške tjelesne ozljede.

### **KJ-2200/3100 Strojevi za mlazno pranje**

U donji okvir upišite serijski broj s natpisne pločice proizvoda i sačuvajte ga za buduće potrebe.

Serijski  
br.

--

## Sadržaj

<b>Obrazac za zapisivanje serijskog broja uređaja</b> .....	347
<b>Sigurnosni simboli</b> .....	349
<b>Opći sigurnosni propisi</b> .....	349
Sigurnost radnog mjesta .....	349
Električna sigurnost.....	349
Osobna zaštita .....	349
Način uporabe i briga o alatu.....	350
Servisiranje .....	350
<b>Sigurnosna upozorenja na vodenom mlazniku</b> .....	350
<b>Opis, tehnički podaci i standardna oprema</b> .....	351
Opis .....	351
Tehnički podaci.....	352
Simboli.....	352
Standardna oprema .....	352
<b>Sastavljanje stroja</b> .....	352
Motorno ulje.....	352
Ulje za pumpe/transmisijsko ulje.....	352
Kolica za prijevoz KJ-2200 .....	353
Sastavljanje ručke KJ-3100 .....	353
<b>Pregled prije uporabe</b> .....	353
<b>Namještanje stroja i organizacija radnog mjesta</b> .....	355
Opskrba vodom .....	356
Priprema odvoda.....	356
Postavljanje gibljive cijevi.....	357
TABLICA ZA ODABIR GIBLJIVH CIJEVI MLAZNIKA.....	358
TABLICA ZA ODABIR MLAZNICA MLAZNIKA .....	358
<b>Radne upute</b> .....	359
Mlazno pranje odvoda.....	360
Uporaba impulsnog režima.....	361
Uporaba vodenog mlaznika kao tlačnog perača .....	362
Rad tlačnog perača.....	362
Ubrizgavač deterdženta .....	363
<b>Upute za održavanje</b> .....	363
Čišćenje .....	363
Motor.....	363
Podmazivanje pumpe .....	363
Podmazivanje mjenjačke kutije.....	363
Priprema pumpe za skladištenje u hladnim uvjetima.....	363
<b>Dodatna oprema</b> .....	364
<b>Skladištenje stroja</b> .....	365
<b>Servisiranje i popravak</b> .....	365
<b>Zbrinjavanje</b> .....	365
<b>Otklanjanje grešaka</b> .....	366
<b>Doživotno jamstvo</b> .....	Stražnja stranica

\*Prijevod originalnih uputa

## Sigurnosni simboli

Sigurnosni simboli i riječi upozorenja u ovom priručniku i na proizvodu, ukazuju na važne informacije o sigurnosti. Svrha ovog poglavlja je poboljšati razumijevanje ovih signalnih riječi i simbola.



Ovo je znak sigurnosnog upozorenja. On upozorava na potencijalnu opasnost od tjelesnih ozljeda. Poštivanjem svih sigurnosnih poruka koje slijede ovaj znak možete izbjeći potencijalne tjelesne ozljede ili smrtni ishod.

**▲ OPASNOST** OPASNOST označava opasnu situaciju koja će, ako se ne izbjegne, rezultirati teškim ozljedama ili smrtnim ishodom.

**▲ UPOZORENJE** UPOZORENJE označava opasnu situaciju koja, ako se ne izbjegne, može rezultirati teškim ozljedama ili smrtnim ishodom.

**▲ OPREZ** OPREZ označava opasnu situaciju koja, ako se ne izbjegne, može rezultirati lakšim ili srednje teškim ozljedama.

**NAPOMENA** NAPOMENA ukazuje na informacije vezane uz zaštitu imovine.



Ovaj znak vas upozorava da prije korištenja opreme pomno pročitate korisnički priručnik da biste smanjili rizik od ozljede. Korisnički priručnik sadrži važne informacije o sigurnosti i ispravnom radu opreme.



Ovaj znak upozorava na obveznu uporabu zaštitne maske ili zaštitnih naočala s bočnim štitnicima prilikom rukovanja ili korištenja ove opreme, kako bi se izbjegla opasnost od ozljeda očiju.



Ovaj znak ukazuje na opasnost od vode pod visokim tlakom koja, ako je usmjerite na dijelove tijela, može prodrijeti kroz kožu i uzrokovati ozljede.



Ovaj znak ukazuje na opasnost od vitlanja gibljive cijevi mlaznika koje uzrokuje udarne ozljede i ozljede od prodora vode.



Ovaj znak ukazuje na opasnost od udisanja ugljičnog monoksida koji uzrokuje mučninu, nesvjesticu ili smrt.



Ovaj znak ukazuje na opasnost od požara i eksplozije benzina ili drugih izvora koji uzrokuju opekline i druge ozljede.

## Opći sigurnosni propisi

### ▲ UPOZORENJE

**Pažljivo pročitajte sve priložene upute. Posljedica nepoštivanja uputa mogu biti strujni udar, požar i/ili teška tjelesna ozljeda.**

### SAČUVAJTE OVE UPUTE!

#### Sigurnost radnog mjesta

- **Neka vaše radno mjesto bude čisto i dobro osvijetljeno.** Neuredni stolovi i mračna područja pogoduju nezgodama.
- **Nemojte raditi s električnim alatom u eksplozivnom okruženju, kao što su ona u kojima postoje zapaljive tekućine, plinovi ili prašina.** Električni alati stvaraju iskre koje mogu zapaliti prašinu ili plinove.
- **Za vrijeme rada s električnim alatima nemojte dozvoliti pristup prolaznicima, djeci i posjetiteljima.** Ometanje vam može odvratiti pozornost i dovesti do gubitka kontrole.

#### Električna sigurnost

- **Izbjegavajte tjelesni kontakt sa uzemljenim površinama kao što su cijevi, radijatori, štednjaci i zamrzivači.** Ukoliko je vaše tijelo uzemljeno, postoji povećana opasnost od strujnog udara.

#### Osobna zaštita

- **Tijekom uporabe električnog alata budite pažljivi, pratite što radite i razumno koristite električni alat. Nemojte upotrebljavati alat ako ste umorni ili pod utjecajem droge, alkohola ili lijekova.** Već i mali trenutak nepažnje pri radu s električnim alatima može izazvati teške ozljede.
- **Prikladno se odjenite. Nemojte nositi široku odjeću ili nakit. Vežite dugu kosu. Udaljite kosu, odjeću i rukavice od pokretnih dijelova.** Široka odjeća, nakit ili duga kosa mogu se zaplesti u pokretne dijelove.
- **Nemojte se previše naginjati nad alatom. Zauzmite stabilan položaj i u svakom trenutku vodite računa o ravnoteži.** Stabilna podloga i ravnoteža omogućuju bolju kontrolu alata u neočekivanim situacijama.

- **Koristite sigurnosnu opremu. Uvijek nosite zaštitu za oči.** Maska protiv prašine, protuklizne zaštitne cipele, zaštitna kaciga ili štitnici za uši koji odgovaraju dotičnim uvjetima, umanjit će opasnost od ozljede.

### Način uporabe i briga o alatu

- **Nemojte preopteretiti alat. Upotrebljavajte odgovarajući alat za određenu namjenu.** Odgovarajući alat uradit će posao bolje i sigurnije na nazivnoj snazi za koju je dizajniran.
- **Nemojte koristiti električni alat ako prekidač za uključivanje i isključivanje (ON/OFF) ne radi ispravno.** Svaki alat koji se ne može kontrolirati pomoću prekidača je opasan i potrebno ga je popraviti.
- **Kad se ne koristi, alat pohranite izvan dosega djece i ostalih osoba koje nisu obučene za rad.** Alati su opasni ako ih koriste neobučene osobe.
- **Vodite računa o redovitom provođenju radova održavanja na alatu. Alate za rezanje održavajte oštroma i čistima.** Ispravno održavani alati s oštrim reznim rubovima manje se savijaju i lakše se kontroliraju.
- **Provjerite jesu li pokretni dijelovi alata loše postavljeni ili spojeni, nisu li dijelovi popucali te postoje li druga stanja koji mogu utjecati na rad alata. Servisirajte oštećeni alat prije uporabe.** Loše održavanje alata uzrokuje mnoge nesreće.
- **Upotrebljavajte samo dodatnu opremu koju preporučuje proizvođač za vaš model.** Dodatna oprema predviđena za rad s jednim alatom može postati opasna kada se upotrebljava s drugim.

### Servisiranje

- **Servisiranje alata smiju obavljati samo kvalificirani serviseri.** Servisiranje ili održavanje od strane nestručnih osoba može uzrokovati ozljede.
- **Za servisiranje alata koristite samo identične zamjenske dijelove. Pridržavajte se uputa o održavanju iz ovog priručnika.** Uporaba neodobrenih dijelova i nepoštivanje uputa o održavanju mogu uzrokovati opasnost od strujnog udara ili ozljeda.

## Sigurnosna upozorenja na vodenom mlazniku

### ⚠ UPOZORENJE

Ovo poglavlje sadrži važne sigurnosne informacije koje su karakteristične za ovaj alat.

**Pažljivo pročitajte ove mjere opreza prije uporabe stroja za čišćenje odvoda. Time ćete smanjiti rizik od strujnog udara ili ostalih teških ozljeda.**

### SAČUVAJTE SVA UPOZORENJA I UPUTE ZA BUDUĆU UPOTREBU!

Čuvajte ovaj priručnik u blizini stroja kako bi ga rukovatelj mogao po potrebi upotrijebiti.

- **Nikada nemojte aktivirati mlaznik ako je kraj gibljive cijevi izvan odvoda.** Gibljiva cijev se može zavlatati te uzrokovati udarne ozljede, a mlaz može prodrijeti kroz kožu i uzrokovati teške ozljede.
- **Voda pod visokim tlakom može ući pod kožu te uzrokovati teške ozljede, čija posljedica može biti amputacija.** Nemojte usmjeravati mlaz izravno na ljude ili životinje.
- **Nemojte aktivirati mlaznik iznad nazivnog tlaka ili 140°F / 60°C (ulazna temperatura vode).** Time se povećava rizik od ozljeda, uključujući opekline te od oštećenja mlaznika.
- **Jedna osoba mora kontrolirati i proces mlaznog pranja i nožni ventil. Uvijek koristite nožni ventil.** Ako gibljiva cijev mlaznika izađe iz odvoda, rukovatelj mora moći zatvoriti protok vode. Na taj se način smanjuje rizik od vitlanja gibljive cijevi mlaznika, a time i od udarnih ozljeda i ozljeda uzrokovanih prodorom tekućine pod visokim tlakom.
- **Kod rukovanja opremom za čišćenje odvoda i njezine uporabe uvijek koristite odgovarajuću osobnu zaštitnu opremu.** U odvodu se mogu nalaziti kemikalije, bakterije i druge tvari koje mogu biti otrovne, zarazne te mogu izazvati opekline ili druge probleme. Odgovarajuća zaštitna oprema uvijek sadrži zaštitne naočale i rukavice te također može uključiti lateks ili gumene rukavice, štitnike za lice, zaštitnu masku, zaštitnu odjeću, respiratore i obuću s ojačanim dijelom za prste.
- **Održavajte visoke higijenske navike. Nakon rukovanja opremom za čišćenje odvoda ili njezine uporabe operite ruke i druge dijelove tijela koji su bili izloženi sadržaju odvoda sapunom i vrućom vodom.** Nemojte jesti ili pušiti dok radite ili rukujete opremom za čišćenje odvoda. Tako ćete spriječiti onečišćenje otrovnim ili zaraznim materijalom.



- **Nemojte prskati otrovne ili zapaljive tekućine.** Time ćete smanjiti rizik od opekline, požara, eksplozije ili drugih ozljeda.
- **Benzin i njegove pare vrlo su zapaljivi i eksplozivni.** Pogledajte priručnik za uporabu motora i pročitajte mjere opreza kojima možete smanjiti rizik od opekline, eksplozija i teških ozljeda pri rukovanju benzinom i njegovoj uporabi.
- **Motori proizvode ugljični monoksid, otrovni plin bez boje i mirisa. Udisanje ugljičnog monoksida može uzrokovati mučninu, nesvjesticu ili smrt.** Nemojte pokretati motor ili mu dopustiti da radi u zatvorenim prostorima, čak i ako su vrata i prozori otvoreni. Motor smije raditi samo na otvorenom.
- **Vruće površine mogu uzrokovati opekline i požar.** Udaljite dijelove tijela i zapaljive materijale od vrućih površina.
- **Prije uporabe pročitajte i usvojite sadržaj ovog priručnika, priručnika za uporabu motora te upozorenja i uputa za svu opremu koja se koristi s ovim alatom.** Posljedica nepoštivanja svih upozorenja i uputa mogu biti materijalne štete i/ili teške ozljede.

EC Izjava o sukladnosti (890-011-320.10) će biti poslana uz ovu uputu kao zasebna knjižica na zahtjev.

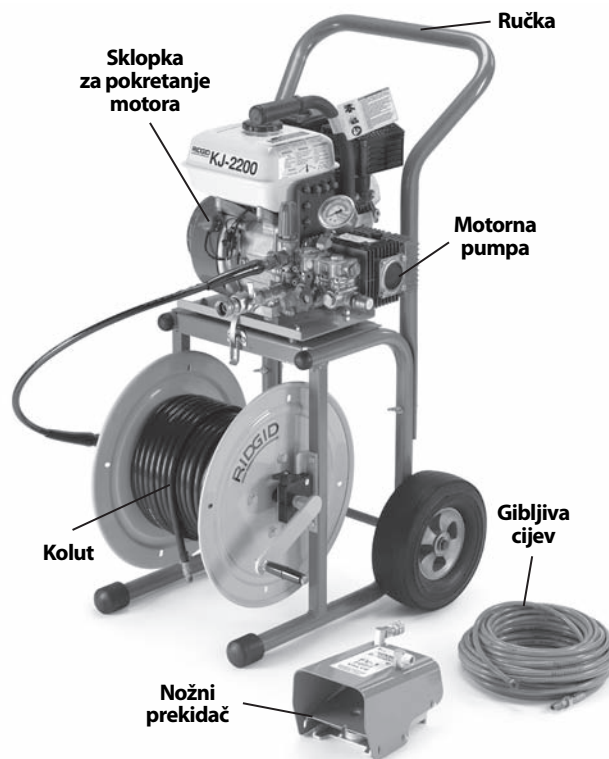
Ako imate bilo kakvih pitanja o ovom RIDGID® proizvodu:

- Kontaktirajte svog lokalnog RIDGID distributera.
- Posjetite [www.RIDGID.com](http://www.RIDGID.com) ili [www.RIDGID.eu](http://www.RIDGID.eu) gdje možete pronaći informacije za kontakt lokalne tvrtke RIDGID.
- Kontaktirajte tehnički servisni odjel tvrtke RIDGID na [rtctechservices@emerson.com](mailto:rtctechservices@emerson.com), ili u SAD-u i Kanadi nazovite (800) 519-3456.

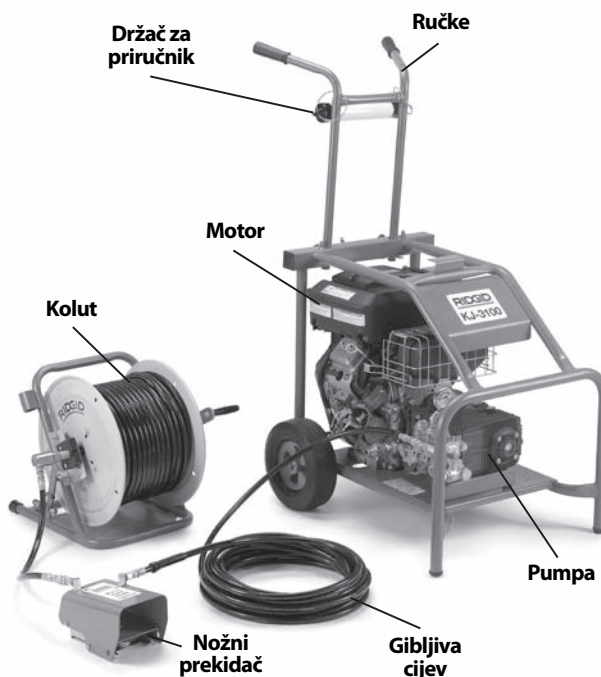
## Opis, tehnički podaci i standardna oprema

### Opis

RIDGID® motorni strojevi za mlazno pranje su prijenosni visokotlačni vodeni mlaznici koji raznim kombinacijama vodenog tlaka i protoka čiste mast, mulj, talog i korijenje iz odvoda. Iznimno savitljiva i lagana gibljiva cijev gura se kroz odvod povratnim mlazovima na mlaznici i kod izvlačenja čisti cjevovod ispiranjem nečistoće. Aktiviranjem impulsnog režima lakše se svladavaju teški zavoji i slivnici. Svi strojevi opremljeni su benzinom koji pogoni troklopnu pumpu.



Slika 1 – Stroj za mlazno pranje KJ-2200



Slika 2 – Stroj za mlazno pranje KJ-3100



Slika 3 – Serijski broj stroja

Serijski broj stroja se nalazi na okviru. Posljednje 4 znamenke označavaju mjesec i godinu proizvodnje. (08 = mjesec, 10 = godina).

**Tehnički podaci**

Model mlaznika	Motor KS	Tlak PSI / bar
KJ-2200	6.5 / 6,5	2200 / 150
KJ-3100	16	3000 / 205

Brzina protoka GPM / litara	Kapacitet odvodnog cjevovoda zoll / mm	Težina (bez koluta za gibljivu cijev) lbs / kg
2.4 / 9	1 1/4 - 6 / 32 - 152	65 / 30
5.5 / 20	2 - 10 / 50 - 250	262 / 119

**Simboli**



**Standardna oprema**

Svi mlaznici opremljeni su sljedećom opremom

- Odgovarajuće mlaznice
- Alat za čišćenje mlaznica
- Nožni ventil FV-1
- Priručnik za uporabu motora

Za specifičnu opremu koja se isporučuje sa svakim kataloškim brojem pogledajte RIDGID katalog.

**NAPOMENA** Stroj je predviđen za čišćenje odvoda. Pri pravilnoj uporabi neće oštetiti odvod koji je u dobrom stanju i pravilno dizajniran, konstruiran i održavan. Ako je odvod u lošem stanju ili nije pravilno dizajniran, konstruiran ili održavan, proces čišćenja odvoda možda neće biti učinkovit ili bi mogao uzrokovati oštećenje odvoda. Stanje odvoda prije čišćenja najbolje se može

utvrditi vizualnom provjerom pomoću kamere. Nepravilna uporaba stroja za mlazno pranje može oštetiti mlaznik i odvod. Ovaj stroj možda neće moći ukloniti sva začepljenja.

**Sastavljanje stroja**

**⚠ UPOZORENJE**

**Radi sprječavanja teških ozljeda i oštećenja stroja pri uporabi, slijedite ove postupke za pravilno sastavljanje.**

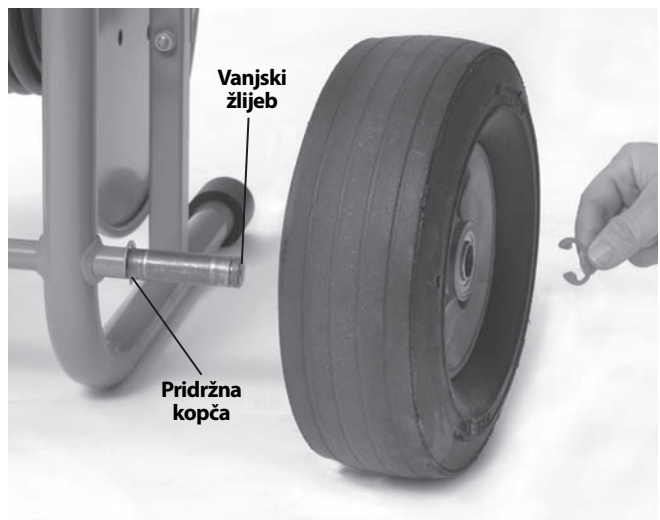
**Motorno ulje**

**NAPOMENA** Mlaznik se isporučuje bez ulja u motoru. Rad motora bez ulja uzrokovat će kvar motora. Napunite ulje prije pokretanja motora. Za specifične informacije o punjenju ulja i odabiru ulja pogledajte priručnik za uporabu motora.

**Ulje za pumpe/transmisijsko ulje**

**Pumpa:** Zamijenite čep na gornjoj strani pumpe zatvaračem sa šipkom za mjerenje ulja/odračnikom. Rad mlaznika sa čepom može uzrokovati oštećenja brtvi pumpe. Provjerite razinu ulja prema poglavlju s uputama za održavanje.

**Mjenjačka kutija (samo KJ-3100):** Zamijenite čep na gornjoj strani pumpe zatvaračem sa šipkom za mjerenje ulja/odračnikom. Rad mlaznika sa čepom može uzrokovati oštećenja brtvi mjenjačke kutije. Provjerite razinu maziva prema poglavlju s uputama za održavanje.



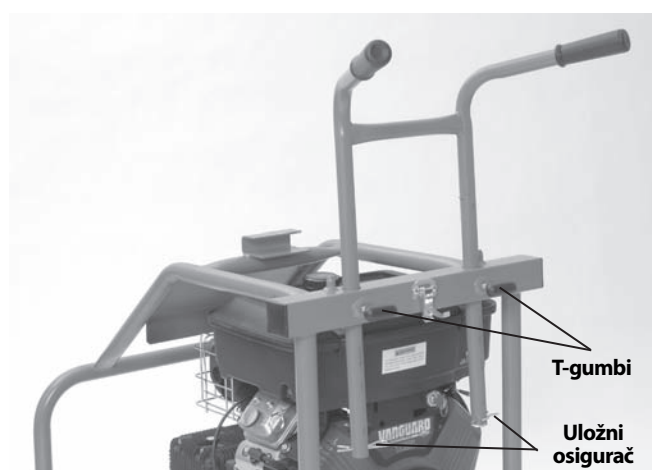
Slika 4 – Sastavljanje modela KJ-2200

### Kolica za prijevoz KJ-2200

1. Montirajte pridržnu kopču u unutarnji žlijeb na svakom kraju osovine. (Pogledajte sliku 4.)
2. Nasadite kotač na svaki kraj osovine.
3. Montirajte pridržnu kopču u vanjski žlijeb na svakoj strani osovine.
4. Pričvrstite ručku na okvir pomoću priloženih četverokutnih vijaka s polukružnom kapom i krilastim maticama.
5. Podignite sklop motora/pumpe na kolica, poravnajte rupe u postolju s klinovima na gornjoj strani kolicima. Pričvrstite motor/pumpu zasunima na kolicima. Uvjerite se da je sklop dobro pričvršćen.

### Sastavljanje ručke KJ-3100

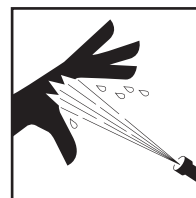
1. Umetnite ručku kroz dvije rupe u stražnjoj poprečnoj šipki okvira. (Pogledajte sliku 5.)
2. Umetnite osigurač kroz rupe na donjoj strani ručke kako biste onemogućili da se ručka izvuče.
3. Uvrnite T-gumbe u stražnju poprečnu šipku. Podesite ručke po želji i učvrstite ručku stezanjem gumba.



Slika 5 – Sastavljanje ručke KJ-3100

### Pregled prije uporabe

#### ⚠ UPOZORENJE



**Prije svake uporabe pregledajte vodeni mlaznik i uklonite sve probleme. Time smanjujete rizik od teških ozljeda izazvanih vodom pod visokim tlakom i drugim uzrocima te sprječavate oštećenje mlaznika.**

**Kod pregleda mlaznika uvijek nosite zaštitne naočale, rukavice i drugu odgovarajuću zaštitnu opremu kojom ćete se zaštititi od kemikalija i bakterija na opremi.**

1. Uvjerite se da je sklopka/ključ za pokretanje motora u položaju OFF (isključeno).
2. Uklonite tragove ulja, masnoće i prašine s opreme, posebice s ručki i komandi. To olakšava pregled i pomaže u sprječavanju da stroj ili upravljač isklizne iz ruke.
3. Pregledajte vodeni mlaznik i dodatnu opremu na sljedeće:
  - Ispravno sastavljanje i cjelovitost.
  - Slomljeni, istrošeni, izgubljeni, pogrešno poravnati, pogrešno spojeni ili labavi dijelovi.
  - Prisutnost i čitljivost upozoravajućih naljepnica. (Pogledajte sliku 6.)
  - Ostala stanja koja mogu onemogućiti siguran i normalan rad.

Ako utvrdite probleme, ne upotrebljavajte vodeni mlaznik sve dok ih ne uklonite.

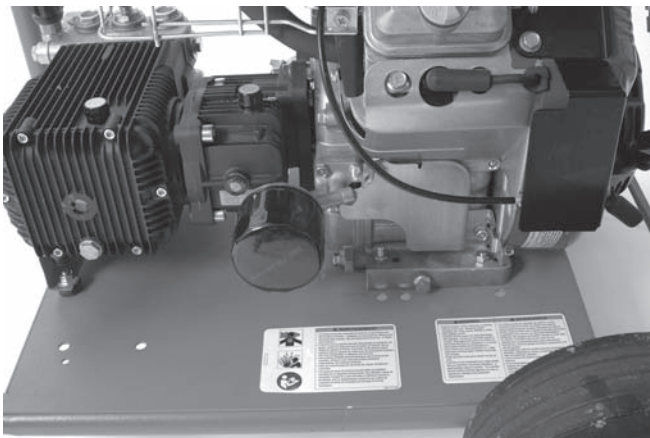


Slika 6A – KJ-2200 upozoravajuće naljepnice

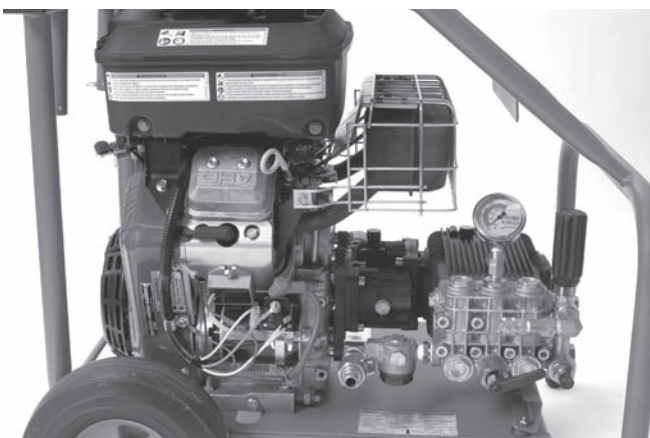




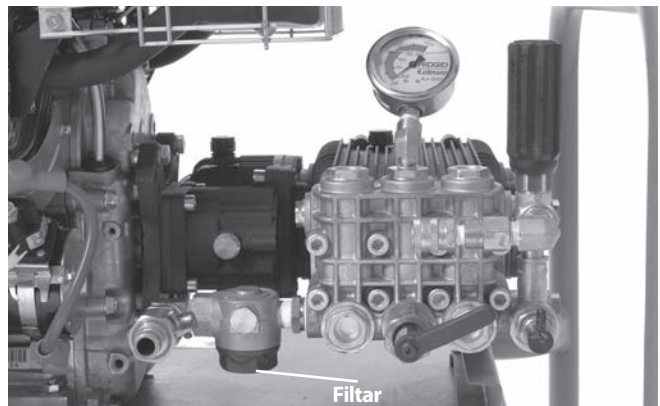
Slika 6B – KJ-2200 upozoravajuće naljepnice



Slika 6C – KJ-3100 upozoravajuće naljepnice



Slika 6D – KJ-3100 upozoravajuće naljepnice

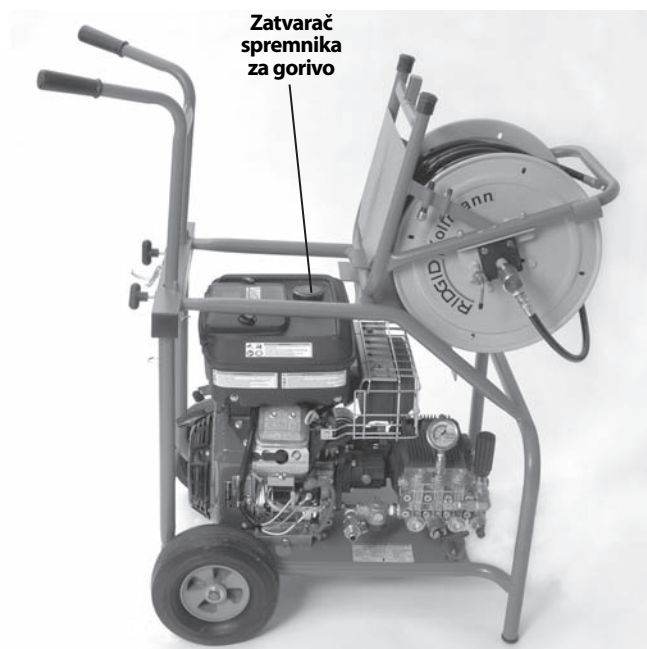


Slika 7 – Ulazni filtar/brtva filtra

4. Očistite ulazni filtar vode/brtva filtra. Za čišćenje odvrnite zatvarač s donje strane ulaznog filtra. Nečistoća i otpad može ograničiti protok vode u pumpu i uzrokovati probleme s radnim učinkom.

5. Pregledajte postoje li na otvorima mlaznice oštećenja ili začepjenja. Začepjenja se mogu očistiti alatom za čišćenje mlaznice. Budite pažljivi kako prilikom čišćenja ne biste povećali otvore na mlaznici. Oštećene mlaznice ili mlaznice s proširenim otvorima mogu smanjiti radni učinak mlaznika i treba ih zamijeniti.
6. Pregledajte postoje li na gibljivim cijevima, priključcima i fitinzima znakovi istrošenosti i oštećenja. Nemojte upotrebljavati gibljivu cijev ako su na vanjskom plaštu vidljive petlje, napuknuća, prijelomi, znakovi istrošenosti ili druga oštećenja. Oštećene gibljive cijevi mogu eksplodirati ili ispuštati vodu pod visokim tlakom te uzrokovati teške ozljede. Zamjenske gibljive cijevi i fitinzi trebaju odgovarati nazivnoj vrijednosti tlaka mlaznika ili biti viši od nje.
7. Pregledajte motor i provedite radove održavanja na motoru prema priručniku za uporabu motora.
8. Provjerite razinu goriva u motoru. Za KJ-3100, otvorite zasun koluta za gibljivu cijev i okrećite kolut prema naprijed sve dok ne bude ležao na okviru. Sada možete pristupiti zatvaraču spremnika za gorivo na motoru *slika 8*. Po potrebi dodajte bezolovni benzin. Za detalje pogledajte priručnik za uporabu motora. Pri rukovanju benzinom potreban je poseban oprez. Puniti gorivo u dobro prozračenom prostoru. Nemojte napuniti previše goriva i nemojte prolijevati gorivo. Uvjerite se da je zatvarač spremnika za gorivo čvrsto zatvoren.





Slika 8 – KJ-3100 pristup spremniku goriva

9. Provjerite razinu ulja u pumpi i mjenjačkoj kutiji (*pogledajte poglavlje s uputama za održavanje*).

## Namještanje stroja i organizacija radnog mjesta

### ⚠ UPOZORENJE



**Kod namještanja mlaznika uvijek nosite zaštitne naočale, rukavice i drugu odgovarajuću zaštitnu opremu kojom ćete se zaštititi od kemikalija i bakterija na opremi. Protuklizne cipele s gumenim potplatom sprječavaju klizanje na mokrim površinama.**

**Motori proizvode ugljični monoksid, otrovni plin bez boje i mirisa. Udisanje ugljičnog monoksida može uzrokovati mučninu, nesvjesticu ili smrt. Nemojte pokretati motor ili mu dopustiti da radi u zatvorenim prostorima, čak i ako su vrata i prozori otvoreni. Motor smije raditi samo na otvorenom.**

**Pri namještanju mlaznika i organizaciji radnog mjesta ovim postupcima možete smanjiti opasnost od ozljeda koje mogu izazvati voda pod visokim tlakom, kemijske opekline, infekcije, ugljični monoksid i drugi uzroci te možete spriječiti oštećenje mlaznika.**

- Na radnom mjestu provjerite sljedeće:
  - Odgovarajuća rasvjeta.
  - Prisutnost zapaljivih tekućina, para ili prašine koja može planuti. Ako otkrijete nešto od navedenog, nemojte raditi u tom području dok ne prepoznate i otklonite izvore ovih opasnosti. Mlaznik nije zaštićen od eksplozije i može izazvati iskrenje.
  - Čisto, ravno, stabilno, suho mjesto za stroj i rukovatelja. Po potrebi uklonite vodu iz radnog područja. Možda će trebati položiti drvo ili druge pokrove.
  - Mlaznik je smješten u dobro prozračenom otvorenom prostoru. Nemojte smještati mlaznik u zatvorenim prostorima, čak i ako su vrata i prozori otvoreni. Mlaznik može biti udaljen od mjesta uporabe.
  - Odgovarajuća opskrba vodom.
  - Slobodan put za transport mlaznika do mjesta postavljanja.
- Pregledajte odvod koji treba očistiti. Ako je moguće, utvrdite točku (točke) pristupa odvodu, veličinu (veličine) i duljinu (duljine) odvoda, udaljenost do spremnika ili glavnih cjevovoda, prirodu začepljenja, prisutnost kemikalija za čišćenje odvoda ili drugih kemikalija, itd. Ako su u odvodu prisutne kemikalije, važno je razumjeti specifične sigurnosne mjere potrebne za rad u blizini tih kemikalija. Potrebne informacije zatražite od proizvođača kemijskog sredstva.
 

Po potrebi uklonite inventar (vodokotlić, itd.) te omogućite pristup odvodu. Nemojte uvlačiti gibljivu cijev kroz inventar. To bi moglo oštetiti gibljivu cijev i inventar.
- Uskladite odgovarajuću opremu s namjenom. *Pogledajte poglavlje Tehnički podaci* za informacije o ovim mlaznicima. Čistače odvoda i mlaznike za druge primjene možete pronaći u katalogu tvrtke RIDGID, na internetu na [www.RIDGID.com](http://www.RIDGID.com) ili [www.RIDGID.eu](http://www.RIDGID.eu).
- Provjerite je li sva oprema ispravno pregledana.
- Pregledajte radno područje i odredite jesu li potrebne prepreke kojima će se prolaznici zadržati izvan radnog područja. Prolaznici mogu ometati rukovatelja. Ako radite blizu cestovnog prometa, postavite čunjeve ili druge prepreke kako biste upozorili vozače.
- Po potrebi postavite zaštitne pokrove u radnom području. Proces čišćenja odvoda može biti prljav.
- Odnosite mlaznik do dobro prozračenog radnog mjesta na otvorenom po slobodnom putu. Ako stroj treba podizati, upotrijebite odgovarajuća podizna sredstva. Kod nošenja uz ili niz stepenice budite oprezni i vodite računa o mogućoj opasnosti od poskliznuća. Obucite odgovarajuću obuću kako se ne biste poskliznuli.

### Opskrba vodom

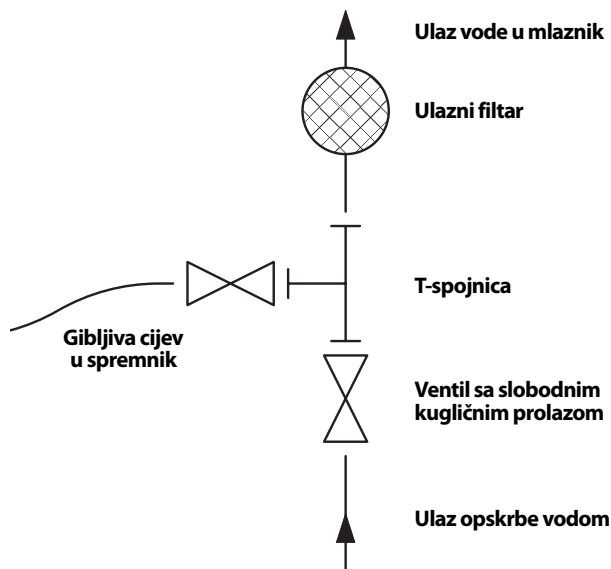
Uvjerite se da je protok vode dovoljan za mlaznik. Sprovedite gibljivu cijev od izvora vode do mlaznika. Upotrijebite gibljivu cijev s najvećim mogućim promjerom i najkraćom mogućom duljinom. Preporučena veličina gibljive cijevi je unutarnji promjer  $\frac{3}{4}$ " / 19 mm. Potrebno je koristiti odgovarajući zapornik povratnog toka u skladu sa svim lokalnim pravilima i odredbama. Otvorite vodu na izvoru i izmjerite vrijeme koje je potrebno za punjenje prazne kante zapremine pet galona / oko 18,9 litara. Pogledajte sljedeću tablicu za maksimalna vremena punjenja kante za svaki mlaznik.

Mlaznik	Nazivna vrijednost GPM / litre	Maksimalno vrijeme punjenja kante kapaciteta 5 galona / 18,9 litara
KJ-2200	2.4 / 9	125 sekundi
KJ-3100	5.5 / 20	55 sekundi

Nedovoljni protok vode onemogućit će da mlaznik dosegne nazivni tlak i mogao bi oštetiti pumpu. Pregledajte ima li u kanti vode nečistoće i otpada. Nečistoća i otpad u opskrbi vodom mogu uzrokovati pretjerano trošenje pumpe, začepiti filtre mlaznice i smanjiti radni učinak. Nemojte koristiti vodu iz ribnjaka, jezera ili drugih izvora koji bi mogli biti onečišćeni.

U slučaju nedovoljnog protoka vode, moguća rješenja uključuju uporabu fittinga za priključivanje više opskrbnih gibljivih cijevi na mlaznik ili uporabu spremnika.

Kod uporabe spremnika, izmjerite dubinu T-spojnicom s ventilima sa slobodnim kugličnim prolazom do ulaza vode u mlaznik kao što je prikazano na slici 9. Spojite gibljivu cijev  $\frac{3}{4}$ " / 19 mm ne dužu od 6 stopa / 1,8 m na ventil na izlazu T-spojnice i spojite dovod vode na utično mjesto T-spojnice. Kraj gibljive cijevi umetnite u spremnik ili ga priključite na utično mjesto spremnika. Cijela dužina gibljive cijevi spremnika ne smije biti veća od 5" / 12,7 cm iznad ulaza vode mlaznika jer u suprotnom mlaznik neće uvlačiti vodu iz spremnika.



Slika 9 – Priklučki na dovod vode kod uporabe spremnika

Napunite spremnik prije pokretanja mlaznika. Kod pokretanja mlaznika zatvorite ventil spremnika. Čim se mlaznik pokrene otvorite ventil spremnika. Kontrolirajte razinu vode u spremniku i po potrebi zaustavite mlazno pranje kako biste omogućili dopunjavanje spremnika. Nemojte dopustiti da razina voda padne ispod kraja gibljive cijevi.

Za bolje čišćenje može se koristiti vruća voda. Ne koristite vodu topliju od 140°F / 60°C – to može dovesti do aktiviranja zaštite od toplinskog preopterećenja pumpe. Kod uporabe vruće vode koristite odgovarajuću osobnu zaštitnu opremu kojom ćete smanjiti opasnost od opekline.

Kod uporabe u hladnom vremenskim uvjetima poduzmite mjere kojima ćete spriječiti smrzavanje vode u pumpi. Ono može oštetiti pumpu.

Vodite računa da je ulazni ventil za dovod vode na mlazniku zatvoren i priključite dovodnu cijev na mlaznik.

### Priprema odvoda

Kod radova kroz ulazne otvore, rešetke za odvod oborinskih voda ili druga velika pristupna mjesta, pomoću cijevi i fittinga izradite vodilicu za gibljivu cijev mlaznika od otvora odvoda do mjesta djelovanja. To će spriječiti vitlanje gibljive cijevi u pristupnom putu i zaštititi cijev od oštećenja.

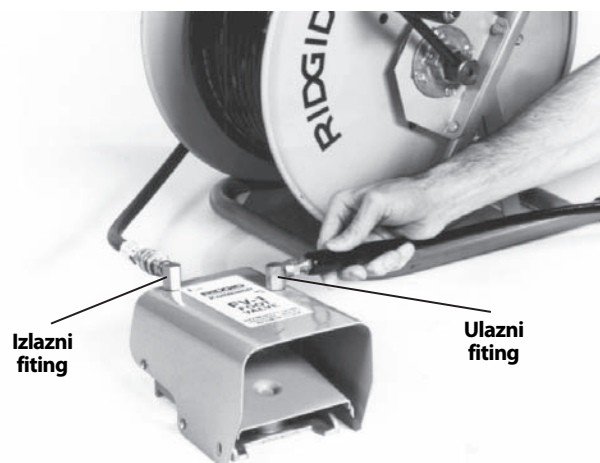


**Slika 10 – Produžavanje otvora odvoda do radne točke**

### Postavljanje gibljive cijevi

Kod vođenja gibljive cijevi mlaznika potreban je poseban oprez. Vođenje gibljivih cijevi preko hrapavih površina, oštih rubova, križanje gibljivih cijevi itd. može oštetiti plašt gibljive cijevi, posebice kod uporabe mlaznika u impulsnom režimu. Čuvanje gibljive cijevi mlaznika na kolutu pomoći će u minimaliziranju njezinih oštećenja.

1. Izaberite veličinu gibljive cijevi mlaznika u skladu s odvodom koji treba očistiti. Načelno se ne preporučuje spajanje dviju gibljivih cijevi mlaznika za čišćenje odvoda. Spoj između dvije cijevi manje je gibljiv i može onemogućiti prolaz kroz fittinge *Pogledajte tablicu za izbor gibljivih cijevi mlaznika.*
2. Po potrebi razdvojite kolut gibljive cijevi od sklopa motor/pumpa. Smjestite kolut gibljive cijevi na udaljenosti do 3 stope / 90 cm od otvora odvoda. Radi sprječavanja oštećenja nemojte dopustiti da gibljiva cijev velikom dužinom ostane izvan odvoda. Ako se kolut s gibljivom cijevi ne može smjestiti unutar 3 stope / 90 cm od otvora odvoda, produžite otvor odvoda do koluta gibljive cijevi pomoću cijevi i fittinga sličnih dimenzija.
3. Dovedite gibljivu cijev od mlaznika do fittinga IN na nožnom ventilu. Zabrtvite spoj teflonskom trakom. Pozicionirajte nožni ventil tako da mu možete pristupiti. Morate moći kontrolirati i gibljivu cijev mlaznika i nožni ventil.
4. Priključite gibljivu cijev s koluta na fitting OUT na nožnom ventilu.



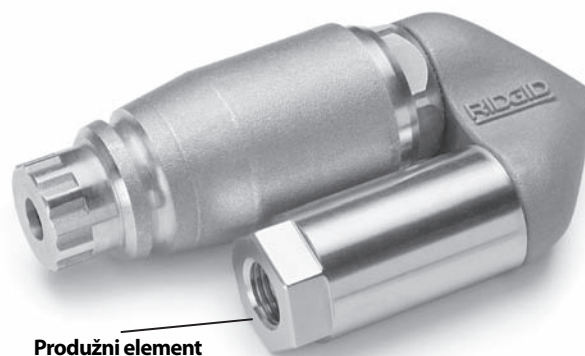
**Slika 11 – Priključak nožnog ventila**

5. Obilježite gibljivu cijev mlaznika blizu kraja kako biste vidjeli kad se mlaznica približava otvoru odvoda kod povlačenja. To će spriječiti izlazak mlaznice iz odvoda i vitlanje. Udaljenost ovisi o konfiguraciji odvoda, ali treba iznositi barem 4' / 1,2 m.
6. Skinite mlaznicu s kraja gibljive cijevi mlaznika i uvedite kraj cijevi mlaznika u odvod. Otvorite ulazni ventil dovoda kako biste ispustili zrak i očistili svu nečistoću iz mlaznika i gibljivih cijevi. Voda mora teći barem 2 minute.
7. Zatvorite ulazni ventil dovoda.
8. Izaberite mlaznicu. Koristite mlaznice specijalno dimenzionirane za dotični mlaznik. Uporaba neodgovarajućih mlaznica može uzrokovati slab radni učinak (niski radni tlak ili slabi protok) ili može oštetiti mlaznik pretjerano visokim tlakom. Uvjerite se da su otvori mlaznice čisti i otvoreni. *Pogledajte tablicu za odabir mlaznica.*

Kod uporabe mlaznice RR3000 za odvode veće od 6" / 152 mm i do 9" / 229 mm, potrebno je koristiti produžni element. Za odvode 6" / 152 mm i manje, produžni element nije potreban. Po potrebi čvrsto stegnite produžni element na RR3000 – ali nemojte pretjerati sa stezanjem. Uporaba mlaznice RR3000 u cjevovodu manjem od 6" / 152 mm i do 9" / 229 mm bez produžnog elementa ili u cjevovodima većim od 9" / 229 mm može uzrokovati promjenu smjera mlaznice u odvodu, izlazak na mjestu gdje se nalazi korisnik i teške ozljede (slika 12).

9. Rukom stegnite mlaznicu na kraju gibljive cijevi, ali nemojte pretjerati sa stezanjem. Pretjerano stezanje može oštetiti mlaznicu i uzrokovati slab radni učinak.

10. Umetnite gibljivu cijev s mlaznicom u odvod i otvorite ulazni ventil dovoda. Uvjerite se da voda slobodno teče kroz mlaznicu i zatvorite ulazni ventil na dovodu.



Slika 12 – Mlaznica RR3000 s produžnim elementom

### TABLICA ZA ODABIR GIBLJIVH CIJEVI MLAZNIKA

	Primjene	Veličina cijevi zoll / mm	Veličina mlaznice zoll / mm	Veličina gibljive cijevi (ulazni promjer) zoll / mm	Veličina gibljive cijevi (izlazni promjer) zoll / mm
KJ-2200	Kupaonski sifoni, pisoari i mali cjevovodi.	1 1/4 - 2 / 32 - 50	1/8 / 3,2 NPT	1/8 / 3,2	3/16 / 4,8
	Kuhinjski sifoni, kade i posude za rublje, otvori za čišćenje i ventilacijske cijevi.	2 - 3 / 50 - 76	1/8 / 3,2 NPT	3/16 / 4,8	1/4 / 6,4
	Odvodi tuš kabina i podni odvodi, bočni cjevovodi i slivnici za mast.	3 - 4 / 76 - 101	1/4 / 6,4 NPT	1/4 / 6,4	1/2 / 13
	Bočni i glavni cjevovodi.	4 - 6 / 101 - 152	1/4 / 6,4 NPT	1/4 / 6,4	1/2 / 13
KJ-3100	Posude, otvori za čišćenje i ventilacijske cijevi.	2 - 3 / 50 - 76	1/8 / 3,2 NPT	3/16 / 4,8	1/4 / 6,4
	Podni odvodi, bočni cjevovodi i slivnici za mast.	3 - 4 / 76 - 101	1/4 / 6,4 NPT	3/8 / 9,5	5/8 / 16
	Bočni i glavni cjevovodi.	4 - 10 / 101 - 250	1/4 / 6,4 NPT	3/8 / 9,5	5/8 / 16

### TABLICA ZA ODABIR MLAZNICA MLAZNIKA

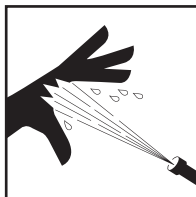
KJ-2200	Veličina navoja, zoll / mm	1/8 / 3,2 NPT	1/4 / 6,4 NPT
	Veličina gibljive cijevi (unutarnji promjer), zoll / mm	1/8 i 3/16 / 3,2 i 4,8	1/4 / 6,4
	Veličina gibljive cijevi (vanjski promjer), zoll / mm	3/16 i 1/4 / 4,8 i 6,4	1/2 / 13
	Ima tri povratne mlazne sapnice za maksimalnu propulziju na velike udaljenosti. Ova mlaznica može se koristiti za većinu primjena.	<b>H-61</b>	<b>H-71</b>
	Koristi tri mlazne sapnice u povratnom smjeru plus jednu mlaznicu usmjerenu prema naprijed za prodor kroz tvrdu masnoću ili kanalizacijska začepljenja. Prednji mlaz probija malu rupu u začepljenju kroz koji mlaznica može proći. To je vrlo učinkovito kod mlaznog uklanjanja začepljenja uzrokovanih ledom.	<b>H-62</b>	<b>H-72</b>
	Za prolaz kroz teške zavoje koristite zglobovu glavu. Ova mlaznica ima tri povratne mlazne sapnice.	<b>H-64</b>	
Okretna mlaznica može se upotrijebiti za čišćenje masti i sličnih začepljenja iz odvoda.	<b>H-65</b>	<b>H-75</b>	



KJ-3100	<b>Veličina navoja, Zoll / mm</b>	1/8 / 3,2 NPT	1/4 / 6,4 NPT
	<b>Veličina gibljive cijevi (unutarnji promjer), Zoll / mm</b>	3/16 / 4,8	3/8 / 9,5
	<b>Veličina gibljive cijevi (vanjski promjer), Zoll / mm</b>	1/4 / 6,4	5/8 / 16
	Ima četiri (4) povratne mlazne sapnice za maksimalnu propulziju na velike udaljenosti. Ova mlaznica može se koristiti za većinu primjena.	<b>H-101</b>	<b>H-111</b>
	Koristi tri mlazne sapnice u povratnom smjeru plus jednu mlaznicu usmjerenu prema naprijed za prodor kroz tvrdu masnoću ili kanalizacijska začepjenja. Prednji mlaz probija malu rupu u začepljenju kroz koji mlaznica može proći. To je vrlo učinkovito kod mlaznog uklanjanja začepjenja uzrokovanih ledom.	<b>H-102</b>	<b>H-112</b>
	Za prolaz kroz teške zavoje koristite zglobovu glavu. Ova mlaznica ima četiri (4) povratne mlazne sapnice.	<b>H-104</b>	
	Okretna mlaznica može se upotrijebiti kao pomoć pri čišćenju masti i sličnih začepjenja iz odvoda.	<b>H-105</b>	<b>H-115</b>
Upotrebljava se za uklanjanje korijena i drugih vrsta začepjenja. NAPOMENA! Kod čišćenja odvoda promjera 8" / 200 mm upotrijebite produžetak radi stabilizacije RR3000.		<b>RR3000</b>	

## Radne upute

### ⚠ UPOZORENJE



**Uvijek nosite zaštitne naočale kojima ćete zaštititi oči od prljavštine i drugih stranih tijela. Uvijek nosite opremu za osobnu zaštitu koja odgovara radnoj okolini.**

**Nikada nemojte aktivirati mlaznik ako je kraj gibljive cijevi izvan odvoda. Gibljiva cijev se može zavrtlati te uzrokovati udarne ozljede, a mlaz može prodrijeti kroz kožu i uzrokovati teške ozljede.**

**Tekućina pod visokim tlakom može prodrijeti pod kožu te uzrokovati teške ozljede, čija posljedica može biti amputacija. Nemojte usmjeravati mlaz izravno na ljude ili životinje.**

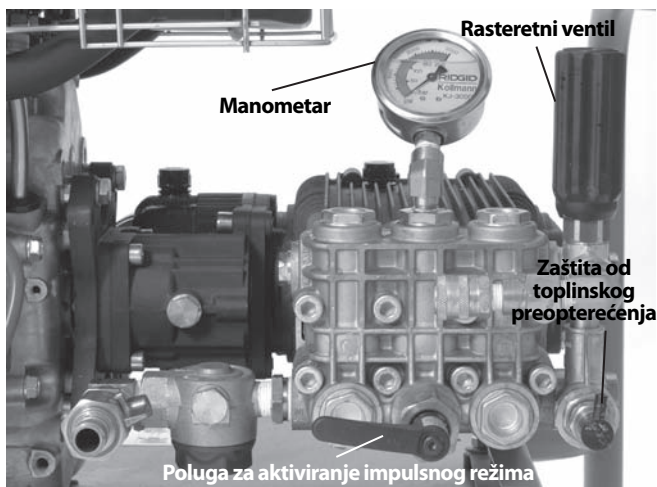
**Nemojte aktivirati mlaznik iznad nazivnog tlaka ili 140°F / 60°C (ulazna temperatura vode). Time se povećava rizik od ozljeda, uključujući opekline te od oštećenja mlaznika.**

**Jedna osoba mora kontrolirati i proces mlaznog pranja i nožni ventil. Uvijek koristite nožni ventil. Ako gibljiva cijev mlaznika izađe iz odvoda, rukovatelj mora moći zatvoriti protok vode. Time se smanjuje rizik od vitljanja gibljive cijevi mlaznika, a time i od udarnih ozljeda i ozljeda uzrokovanih prodorom tekućine pod visokim tlakom.**

**Pri rukovanju opremom za čišćenje odvoda i njezinoj uporabi uvijek koristite odgovarajuću osobnu zaštitnu opremu. U odvodu se mogu nalaziti kemikalije, bakterije i druge tvari koje mogu biti otrovne, zarazne te mogu izazvati opekline ili druge probleme. Odgovarajuća zaštitna oprema uvijek sadrži zaštitne naočale i rukavice te također može uključivati lateks ili gumene rukavice, štitnike za lice, zaštitnu masku, zaštitnu odjeću, respiratore i obuću s ojačanim dijelom za prste.**

**Pridržavajte se radnih uputa jer time smanjujete opasnost od ozljeda koje može izazvati vitljanje gibljive cijevi, prodor tekućine pod visokim tlakom, ugljični monoksid i drugi uzroci.**

1. Osigurajte da je stroj pravilno namješten, a radno mjesto dobro organizirano te da u radnom području nema promatrača i drugih smetnji. Ako je mlaznik udaljen od mjesta uporabe, kod njega treba biti još jedna osoba.
2. Uvedite gibljivu cijev s mlaznicom u odvod barem tri stope / oko 90 centimetara tako da kraj cijevi ne može izaći iz odvoda i zavrtlati se kod pokretanja stroja.
3. Uvjerite se da je poluga za aktiviranje impulsnog režima okrenuta suprotno od kazaljke na satu na položaj "Tlak" (slika 16).
4. Otvorite ulazni ventil dovoda. Nikada nemojte pokretati motor dok dovod vode nije OTVOREN. To može oštetiti pumpu.
5. Pritiskom nožnog ventila smanjite tlak i omogućite pokretanje motora. Uvjerite se da voda slobodno teče kroz mlaznicu. Pokrenite motor poštujući upute za pokretanje navedene u priručniku za uporabu motora. Pustite motor da se zagrije.



Slika 13 – Kontrole

- Okrećite rasteretni ventil uz istovremeni nadzor manometra te podesite željenu vrijednost tlaka (u smjeru kazaljke na satu za povećanje tlaka, suprotno od kazaljke na satu za smanjenje tlaka). Nemojte prekoračiti nazivni tlak stroja. Nemojte na silu okretati rasteretni ventil ili za to koristiti ključ za vijke ili alate. To će oštetiti rasteretni ventil.

Mlaznik	Nazivni tlak, PSI / bar
KJ-2200	2200 / 150
KJ-3100	3000 / 205

Ako mlaznik ne stvara nazivni tlak ili se ponaša nepredvidivo:

- Uvjerite se da je prigušni ventil motora pravilno podešen.
- Uvjerite se da je ulazni ventil dovoda do kraja otvoren i da su drugi ventili u dovodnom sustavu do kraja otvoreni.
- Okrenite rasteretni ventil u smjeru kazaljke na satu te tako povećajte tlak. Ne upotrebljavajte silu.
- Uvjerite se da je poluga za aktiviranje impulsnog režima postavljena na položaj "Tlak".
- Mijenjajte položaj poluge za aktiviranje impulsnog režima između "Tlak" i "Impuls" nekoliko puta dok uređaj radi kako biste iz sustava izbacili sav zaostali zrak.
- Provjerite ima li na sustavu propusnih mjesta. Pri likom pregleda budite oprezni kako biste spriječili ozljede. Ako pronađete propusna mjesta, UGASITE mlaznik prije popravka.
- UGASITE mlaznik. Provjerite ulazni filter/brtvu filtra i uvjerite se da na njima nema nečistoće.
- Uvjerite se da je protok vode do mlaznika dovoljan.

- UGASITE mlaznik i ZATVORITE ulazni ventil dovoda. Skinite mlaznicu i očistite otvore alatom za čišćenje mlaznica.
- Pokrenite mlaznik bez mlaznice na gibljivoj cijevi kako bi iz sustava mogli izaći zrak ili nečistoća. UGASITE mlaznik prije skidanja ili montaže mlaznice.

#### 7. Zauzmite odgovarajući radni položaj.

- Uvjerite se da je UKLJUČIVANJE/ISKLUČIVANJE nožnog ventila pod kontrolom. Nemojte još pritiskati nožni ventil.
- Vodite računa o dobroj ravnoteži i nemojte se previše naginjati iznad uređaja.
- U svakom trenutku morate moći jednom rukom dohvatiti gibljivu cijev mlaznika kako biste je kontrolirali i podupirali.
- Morate moći doseći kolut za namatanje gibljive cijevi. Ovaj radni položaj omogućit će vam zadržavanje kontrole nad gibljivom cijevi mlaznika.



Slika 14 – Pravilan radni položaj


### Mlazno pranje odvoda

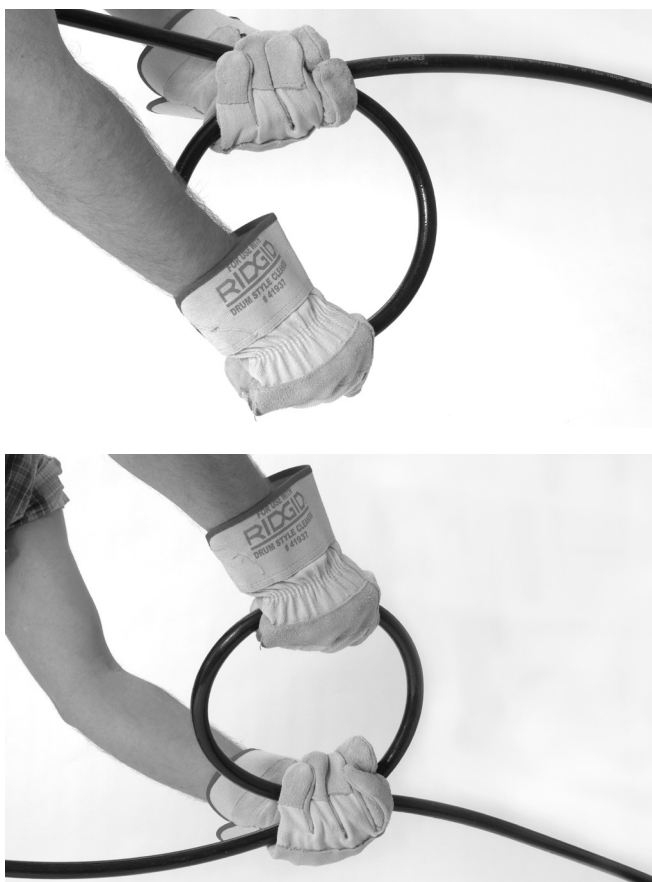
Kod mlaznog pranja odvoda, gibljiva cijev se obično uvodi do kraja u odvod koji treba očistiti i polako se vuče unatrag. Tako voda pod visokim tlakom usmjerena na stjenke odvoda može ukloniti talog.

Otpustite osigurač na kolutu gibljive cijevi. Kad je gibljiva cijev ušla u odvod do dužine od barem tri stope / devedeset centimetara, jednom rukom držite cijev kako biste kontrolirali njezino kretanje i pritisnite nožni ventil.

Povratne mlazne sapnice na mlaznici pomoći će pri uvlačenju gibljive cijevi u odvod. Uvedite gibljivu cijev do dužine potrebne za njegovo čišćenje. Ako se cijev zaustavi, naišla je na neku prepreku.

Ako mlaznica ne može proći kroz prepreku, kao što je promjena smjera (slivnik, zavoj itd.) ili začepljenje.

- Snažnim potisnim pokretima pomičite gibljivu cijev.
- Okretanjem za četvrtinu do pola okreta usmjerite gibljivu cijev u skladu s promjenom smjera (ako je bila rotirana, natrag okrenite gibljivu cijev nakon što je prošla kroz prepreku kako se ne bi zapetljala) *pogledajte sliku 15.*
- Upotrijebite impulsni režim.  (pogledajte sljedeće poglavlje).
- Upotrijebite gibljivu cijev za slivnike ili cijev manjeg promjera.



**Slika 15 – Rotiranje gibljive cijevi**

Nakon što ste prošli začepljenje, uzmite dovoljno vremena za čišćenje tog dijela odvoda i tek onda krenite dalje. Pomaknite se tridesetak do pedesetak centimetara dalje od mjesta prepreke i polako povucite mlaznicu natrag kroz mjesto prepreke. Napravite to nekoliko puta i zatim krenite dalje u odvod.

Promatrajte razinu vode u odvodu. Ako se razina vode previše podigne, možda ćete morati ISKLJUČITI mlaznik i pustiti vodu da oteče pa tek onda nastaviti. Mlazno pranje punog cjevovoda manje je učinkovito od pranja praznog. Nemojte dopustiti da mlaznik radi duži period s ISKLJUČENIM nožnim ventilom. Kad je nožni ventil ISKLJUČEN, voda kruži u pumpi, što dovodi do njezinog zagrijavanja. To može uzrokovati aktiviranje zaštite od toplinskog preopterećenja pumpe.

Kad je mlaznica dosegla željenu udaljenost u odvodu, polako (1 stopu / 30 cm u minuti kod velikih nakupina u odvodu) povlačite mlaznicu natrag kroz odvod. Jednom rukom kontrolirajte gibljivu cijev, a drugom je namatajte na kolut. Pratite kako se mlaznica približava otvoru odvoda da ne bi izašla iz odvoda dok teče voda. To bi moglo dovesti do vitlanja gibljive cijevi i uzrokovati ozljede izazvane tekućinom pod visokim tlakom. Gibljiva cijev uvijek mora biti pod kontrolom. Potražite oznaku na gibljivoj cijevi blizu mlaznice. Puštanjem nožnog ventila zatvorite protok vode.

UGASITE motor prema uputama u priručniku za uporabu motora i pritiskom nožnog ventila isпустite tlak sustava. Nikada nemojte ostavljati sustav pod tlakom. Po potrebi zamijenite mlaznicu i nastavite čišćenje pridržavajući se prije opisanog postupka. Za potpuno čišćenje preporuča se nekoliko prolazaka kroz cjevovod.

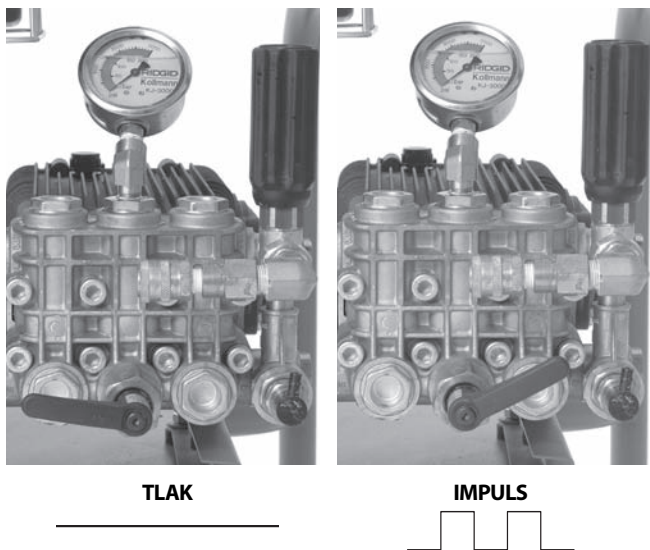
Po završetku i uz uvjet da je mlaznik ugašen, skinite mlaznicu i otvorite ulazni ventil dovoda te tako isperite pumpu i gibljivu cijev. Kod uporabe mlaznica u hladnim uvjetima, odmah ispraznite vodu iz sustava kako biste spriječili štetu od smrzavanja. Pogledajte *Skladištenje stroja* za informacije o zaštiti od smrzavanja.

### Uporaba impulsnog režima

Ako vođenje i pomicanje gibljive cijevi nije dovoljno za njezin prolaz kroz promjenu smjera ili prepreku, potrebno je koristiti impulsni režim. Impulsni režim stvara velike varijacije u tlaku vode, što uzrokuje vibraciju gibljive cijevi i olakšava njezino napredovanje.

1. Okrenite polugu za aktiviranje impulsnog režima u smjeru kazaljke na satu na položaj "Impuls". U impulsnom režimu manometar će prikazivati manje od punog tlaka. To je normalno.




**Slika 16 – Položaj poluge za aktiviranje impulsnog režima**

- Po potrebi snažnim potiskivanjem i okretanjem gibljive cijevi potpomognite njezin prolaz kroz prepreku.
- Nakon svladavanja prepreke, okrenite polugu za aktiviranje impulsnog režima suprotno od kazaljke na satu u položaj "Tlak". Nemojte ostavljati mlaznik u impulsnom režimu duže nego što je to potrebno za prolaz kroz prepreku. Pretjerana uporaba funkcije impulsnog režima može uzrokovati prijevremeno trošenje na gibljivim cijevima i sustavu.

### Uporaba vodenog mlaznika kao tlačnog perača

RIDGID vodeni mlaznici mogu se uz pomoć paketa za tlačno pranje također upotrebljavati kao tlačni perači. Uporaba u funkciji tlačnog perača slična je uporabi u funkciji mlaznika i te upute treba poštivati zajedno s ovima.

- Odredite odgovarajuće radno mjesto.
- Provjerite je li sva oprema ispravno pregledana.
- Pričvrstite pištolj na gibljivu cijev pištolja. Uvijek upotrebljavajte gibljivu cijev čiji je nazivni tlak visok barem koliko i nazivni tlak mlaznika. Nanesite sredstvo za brtvljenje navoja kako biste spriječili curenje.
- Priključite gibljivu cijev na utično mjesto mlaznika. Uvjerite se da su krajevi gibljive cijevi čvrsto spojeni kako ne bi otpali pod tlakom.
- Priključite odgovarajući dovod vode na mlaznik, u skladu s prije opisanim smjernicama.
- Otvorite ulazni ventil dovoda i stisnite okidač pištolja kako biste omogućili protok vode i ispuštanje even-

tualno prisutnog zraka iz sustava. Nikada nemojte pokretati motor dok dovod vode nije OTVOREN. To može oštetiti pumpu.

- Uvjerite se da je poluga za aktiviranje impulsnog režima okrenuta suprotno od kazaljke na satu na položaj "Tlak".
- Podešavanje mlaznice pištolja – Rotiranjem mlaznice možete podesiti model pranja, od tankog mlaza do širokog lepezastog spreja. Tlak se može podesiti povlačenjem mlaznice prema naprijed (niski tlak) i unatrag (visoki tlak). Uvjerite se da je mlaznica povučena unatrag na položaj visokog tlaka i pokrenite postupak.


**Slika 17 – Postavke mlaznice pištolja**

- Blokada pištolja – pištolj ima blokadu na poledini okidača. Preklopite blokadu prema dolje te tako spriječite aktiviranje okidača dok pištolj nije u uporabi.
- Kad je pištolj usmjeren u sigurnom smjeru, pritisnite okidač. Time smanjujete tlak i omogućujete pokretanje motora. Pokrenite motor poštujući upute za pokretanje navedene u priručniku za uporabu motora. Pustite motor da se zagrije. Pustite okidač čim se motor pokrene.
- Kad je pištolj usmjeren u sigurnom smjeru, pritisnite okidač. Okrenite rasteretni ventil uz promatranje manometra te podesite tlak na željenu vrijednost. Nemojte prekoračiti nazivni tlak stroja. Pustite okidač pištolja.

### Rad tlačnog perača

- Kod uporabe uređaja u funkciji tlačnog perača objema rukama držite i usmjerite pištolj za veću kontrolu. Nikada nemojte usmjeravati pištolj na ljude. Tekućina pod visokim tlakom može ući pod kožu te uzrokovati teške ozljede. Nipošto nemojte usmjeravati pištolj na električne uređaje ili žice. Time ćete smanjiti opasnost od strujnog udara.
- Kontrolirajte protok vode okidačem. Kod uporabe tlačnog perača potreban je poseban oprez. Ako držite mlaznicu preblizu površini, možete je oštetiti. Testiranjem na malom, nevidljivom mjestu potvrdite da postavke rade kako to želite.



3. Nemojte dopustiti da mlaznik radi duži period s ISKLJUČENIM okidačem. Kad je okidač ISKLJUČEN, voda kruži u pumpi, što dovodi do njezinog zagrijavanja. To može uzrokovati aktiviranje zaštite od toplinskog preopterećenja pumpe.
4. Kad je tlačno pranje završeno, pustite okidač i UGASITE motor prema uputama iz priručnika za uporabu motora. Pritisnite okidač te tako ispuštite tlak iz sustava. Nikada nemojte ostavljati sustav pod tlakom.

### Ubrizgavač deterdženta

1. Po potrebi priključite ubrizgavač deterdženta na utični otvor. Skinite izlaznu gibljivu cijev i priključite ubrizgavač deterdženta tako da strelica na uređaju pokazuje u istom smjeru kao protok vode. Nanesite sredstvo za brtvljenje navoja kako biste spriječili curenje. Ponovno priključite izlaznu gibljivu cijev.
2. Priključite gibljivu cijev za sifone na ubrizgavač deterdženta. Umetnite kraj cijevi s mrežicom u posudu s deterdžentom. Koristite samo one deterdžente koji su dizajnirani za tlačne perače. Slijedite sve upute na deterdžentu. Nemojte prskati zapaljive tekućine i otrovne kemikalije. Drugi deterdženti, otapala, sredstva za čišćenje itd. mogu oštetiti mlaznik ili uzrokovati teške ozljede.
3. Kod tlačnog pranja, deterdženti se doziraju samo kad je mlaznica pištolja u niskotlačnom položaju. Za doziranje deterdženta povucite mlaznicu prema naprijed u položaj niskog tlaka.
4. Brzina primjene deterdženta može se tijekom rada poddesiti okretanjem čahure na ubrizgavaču deterdženta. Okretanje suprotno od kazaljke na satu povećava količinu deterdženta, a u smjeru kazaljke na satu je smanjuje.
5. Kad je primjena deterdženta završena, izvadite mrežicu iz deterdženta, stavite je u kantu čiste vode i isperite sve ostatke deterdženta iz sustava.

### Upute za održavanje

#### ⚠ UPOZORENJE

**Prije obavljanja bilo kakvih radova održavanja, sklopka za pokretanje motora treba biti u položaju ISKLJUČENO, a žice svjećica treba odspojiti kako bi se spriječilo slučajno aktiviranje. Pritisnite nožni ventil ili okidač pištolja te tako ispuštite sav tlak tekućine u sustavu.**

**Kod svih radova održavanja uvijek nosite zaštitne naočale i rukavice kako biste se zaštitili od kemikalija i bakterija iz odvoda.**

### Čišćenje

Gibljivu cijev treba čistiti po potrebi, vrućom vodom i sapunom i/ili sredstvima za dezinfekciju. Nemojte dopustiti da voda uđe u motor ili električni sustav. Nemojte čistiti tlačnim peračem. Obrišite uređaj vlažnom krpom.

### Motor

Provodite radove održavanja na motoru prema uputama u priručniku za uporabu motora koji se isporučuje s uređajem.

### Podmazivanje pumpe

Prije uporabe provjerite razinu ulja u pumpi. Postavite mlaznik na ravnu površinu. Obrišite svu nečistoću i otpatke iz područja mjerne šipke i izvadite mjernu šipku – provjerite razinu ulja. Po potrebi dodajte nedeterdžentsko ulje SAE 30W. Nemojte pretjerati s količinom punjenja. Ponovno umetnite mjernu šipku.

Zamijenite ulje u pumpi nakon prvih 50 radnih sati, a nakon toga svakih 500 radnih sati. Dok je pumpa na radnoj temperaturi, izvadite čep na donjoj strani pumpe i ispraznite ulje u odgovarajuću posudu. Vratite čep. Napunite otprilike 32 oz / 0,9 kg nedeterdžentskog ulja SAE 30W na isti način kao i kod provjere razine.

### Podmazivanje mjenjačke kutije.

Prije uporabe provjerite razinu ulja u mjenjačkoj kutiji. Postavite mlaznik na ravnu površinu. Obrišite svu nečistoću i otpatke iz područja mjerne šipke i izvadite mjernu šipku – provjerite razinu ulja. Po potrebi dodajte transmisijsko mazivo SAE 90W. Nemojte pretjerati s količinom punjenja. Ponovno umetnite mjernu šipku.

Zamijenite ulje u mjenjačkoj kutiji svakih 500 radnih sati. Dok je mjenjačka kutija na radnoj temperaturi, izvadite čep na donjoj strani mjenjačke kutije i ispraznite ulje u odgovarajuću posudu. Vratite čep. Napunite otprilike 8 oz / 0,2 kg nedeterdžentskog ulja SAE 90W na isti način kao i kod provjere razine.

### Priprema pumpe za skladištenje u hladnim uvjetima

**NAPOMENA** Ako će se mlaznik skladištiti u uvjetima gdje je temperatura blizu ili ispod 32°F / 0°C, mlaznik se mora pripremiti na odgovarajući način. Smrzavanje vode u pumpi može uzrokovati njezino oštećenje.

Mlaznik se može pripremiti za skladištenje u hladnim uvjetima na dva načina. Prvi način obuhvaća otvaranje svih ventila u sustavu i istiskivanje vode iz sustava pomoću komprimiranog zraka. Ovim načinom se također može ukloniti voda iz gibljivih cijevi.

Drugi način koristi RV antifriz (antifriz koji nije na bazi etilen glikola). Nemojte upotrebljavati antifriz na bazi etilen glikola u pumpi mlaznika. Etilen glikol ne može se upotrebljavati u kanalizacionim sustavima.

1. Priključite dio gibljive cijevi 3' / 90 cm na ulazni ventil dovoda i otvorite ventil.
2. Stavite kraj gibljive cijevi u spremnik RV antifrizu.
3. Skinite mlaznicu s kraja gibljive cijevi.
4. Pokrenite mlaznik i pustite ga da radi sve dok antifriz ne počne izlaziti iz kraja gibljive cijevi.

## Dodatna oprema

### ⚠ UPOZORENJE

**Kako biste smanjili opasnost od teških ozljeda, upotrebljavajte samo dodatnu opremu posebno konstruiranu i preporučenu za uporabu sa RIDGID vodenim mlaznicama, kao što je ova navedena u donjem popisu. Ostala oprema koja je predviđena za rad s drugim alatima može postati opasna kad se koristi s RIDGID strojevima za mlazno pranje.**

## KJ-2200 Mlaznice i gibljive cijevi mlaznika

Kataloški br.	Model br.	Opis	Ulazni promjer gibljive cijevi zoll / mm	Izlazni promjer gibljive cijevi zoll / mm
64772	H-61	Mlaznica za pokretanje	1/8" / 3,2 mm NPT	
64777	H-62	Mlaznica za prodiranje	Odgovara 1/4" / 6,4 mm gibljivoj cijevi	
64782	H-64	Mlaznica sa zglobnom glavom		
82842	H-65	Okretna mlaznica 2200		
64787	H-71	Mlaznica za pokretanje	1/4" / 6,4 mm NPT	
64792	H-72	Mlaznica za prodiranje	Odgovara 1/2" / 13 mm gibljivoj cijevi	
82852	H-75	Okretna mlaznica 2200		
47592	H-1425	1/4" x 25' / 6,4 mm x 7,6 m	3/16 / 4,8	1/4 / 6,4
47597	H-1435	1/4" x 35' / 6,4 mm x 10,7 m	3/16 / 4,8	1/4 / 6,4
47602	H-1450	1/4" x 50' / 6,4 mm x 15,2 m	1/4" / 6,4 mm Gibljiva cijev za slivnike	3/16 / 4,8 1/4 / 6,4
49272	H-1475	1/4" x 75' / 6,4 mm x 22,9 m	Narančasta	3/16 / 4,8 1/4 / 6,4
49277	H-1400	1/4" x 100' / 6,4 mm x 30,5 m		3/16 / 4,8 1/4 / 6,4
64732	H-1415	1/4" x 150' / 6,4 mm x 45,7 m		3/16 / 4,8 1/4 / 6,4
50002	HL-1	Gibljiva cijev za vođenje, 1/4" / 6,4 mm	1/8 / 3,2	3/16 / 4,8
50007	HL-2	Gibljiva cijev za vođenje, 1/2" / 13 mm	1/8 / 3,2	3/16 / 4,8
47607	H-1250	1/2" x 50' / 13 mm x 15,2 m	1/4 / 6,4	1/2 / 13
47612	H-1275	1/2" x 75' / 13 mm x 22,9 m	1/4 / 6,4	1/2 / 13
47617	H-1200	1/2" x 100' / 13 mm x 30,5 m	1/4 / 6,4	1/2 / 13
51587	H-1211	1/2" x 110' / 13 mm x 33,5 m	1/2" / 13 mm Gibljiva cijev za mlazno pranje	1/4 / 6,4 1/2 / 13
49487	H-1215	1/2" x 150' / 13 mm x 45,7 m	Crna	1/4 / 6,4 1/2 / 13
51597	H-1220	1/2" x 200' / 13 mm x 61 m		1/4 / 6,4 1/2 / 13

## Dodatna oprema za mlaznik KJ-2200

Kataloški br.	Model br.	Opis
62882	H-5	Mali kolut za gibljivu cijev (cijev nije uključena)
64737	H-30	H-30 Kolica s kolutom za gibljivu cijev
62877	H-30 WH	H-30 Kolica s kolutom za gibljivu cijev i 110' / 33,5 m x 1/2" / 13 mm Gibljiva cijev za mlazno pranje
64077	HP-22	Komplet za tlačno pranje, KJ-2200
64767	HW-22	Pištoli, KJ-2200
51572	H-1235	Gibljiva cijev pištolja 1/2" / 13 mm x 35' / 10,7 m
48157	FV-1	Nožni ventil
66732	HF-4	Cijev za brzo spajanje
48367	H-25	Zimski komplet
47542	H-21	Alat za čišćenje mlaznica
67187	H-32	Jet Vac

## KJ-3100 Mlaznice i gibljive cijevi mlaznika

Kataloški br.	Model br.	Opis	Ulazni promjer gibljive cijevi zoll / mm	Izlazni promjer gibljive cijevi zoll / mm
38698	H-101	Mlaznica za pokretanje	1/8" / 3,2 mm NPT	
38713	H-102	Mlaznica za prodiranje	Odgovara 1/4" / 6,4 mm gibljivoj cijevi	
38703	H-104	Mlaznica sa zglobnom glavom		
38723	H-105	1/8" / 3,2 mm NPT Okretna mlaznica		
38693	H-111	Mlaznica za pokretanje	1/4" / 6,4 mm NPT	
38708	H-112	Mlaznica za prodiranje	Odgovara 3/8" / 9,5 mm gibljivoj cijevi	
38718	H-1155	1/4" / 6,4 mm NPT Okretna mlaznica		
16713	RR3000	Mlaznica Root Ranger (za rezanje korijenja)		
47592	H-1425	1/4" / 6,4 mm x 25' / 7,6 m Gibljiva cijev za slivnike	3/16 / 4,8	1/4 / 6,4
47597	H-1435	1/4" / 6,4 mm x 35' / 10,7 m Gibljiva cijev za slivnike	3/16 / 4,8	1/4 / 6,4
47602	H-1450	1/4" / 6,4 mm x 50' / 15,2 m Gibljiva cijev za slivnike	3/16 / 4,8	1/4 / 6,4
49272	H-1475	1/4" / 6,4 mm x 75' / 22,9 m Gibljiva cijev za slivnike	3/16 / 4,8	1/4 / 6,4
49277	H-1400	1/4" / 6,4 mm x 100' / 30,5 m Gibljiva cijev za slivnike	3/16 / 4,8	1/4 / 6,4
64732	H-1415	1/4" / 6,4 mm x 150' / 45,7 m Gibljiva cijev za slivnike	3/16 / 4,8	1/4 / 6,4
64827	H-3835	3/8" / 9,5 mm unutarnji promjer x 35' / 10,7 m Gibljiva cijev za pranje	3/8 / 9,5	5/8" / 16
64832	H-3850	3/8" / 9,5 mm unutarnji promjer x 50' / 15,2 m Gibljiva cijev za mlazno pranje/za pranje	3/8 / 9,5	5/8" / 16
64837	H-3810	3/8" / 9,5 mm unutarnji promjer x 100' / 30,5 m Gibljiva cijev za mlazno pranje	3/8 / 9,5	5/8" / 16
64842	H-3815	3/8" / 9,5 mm unutarnji promjer x 150' / 45,7 m Gibljiva cijev za mlazno pranje	3/8 / 9,5	5/8" / 16
64847	H-3820	3/8" / 9,5 mm unutarnji promjer x 200' / 61 m Gibljiva cijev za mlazno pranje	3/8 / 9,5	5/8" / 16
64852	H-3825	3/8" / 9,5 mm unutarnji promjer x 250' / 76,2 m Gibljiva cijev za mlazno pranje	3/8 / 9,5	5/8" / 16
64857	H-3830	3/8" / 9,5 mm unutarnji promjer x 300' / 91,4 m Gibljiva cijev za mlazno pranje	3/8 / 9,5	5/8" / 16

## Dodatna oprema za mlaznik KJ-3100

Kataloški br.	Model br.	Opis
62882	H-5	Mali kolut za gibljivu cijev
64862	H-38	Kolut za gibljivu cijev (odgovara KJ-3100)
64902	H-38 WH	Kolut za gibljivu cijev s gibljivom cijevi 200' / 61 m x 3/8" / 9,5 mm unutarnjeg promjera (Prikladan za KJ-3100)
64797	HW-30	Pištolj, KJ-3100
48367	H-25	Zimski komplet
48157	FV-1	Nožni ventil
66732	HF-4	Cijev za brzo spajanje (koluta na nožni ventil)
47542	H-21	Alat za čišćenje mlaznica
67187	H-32	Jet Vac

## Skladištenje stroja

**⚠ UPOZORENJE** Čuvajte mlaznik u dobro prozračnim prostorijama zaštićenima od kiše i snijega. Čuvajte stroj u zaključanom prostoru izvan doseg djece i osoba koje nisu upoznate s mlaznicima. Ovaj stroj može izazvati teške ozljede ako ga koriste neiskusni korisnici. Pogledajte *poglavlje o održavanju* za informacije o skladištenju u hladnim vremenskim uvjetima. Pogledajte priručnik za uporabu motora za specifične informacije o skladištenju motora.

## Servisiranje i popravak

**⚠ UPOZORENJE**

**Nepravilno provedeni servis i popravak mogu stroj učiniti nesigurnim za rad.**

"Upute za održavanje" vode računa o većini servisnih potreba ovog stroja. Probleme koji nisu navedeni u ovom poglavlju trebaju rješavati isključivo ovlaštene RIDGID serviseri.

Alat treba odnijeti u RIDGID neovisni ovlaštene servisni centar ili ga vratiti u tvornicu.

Za informacije o najbližem RIDGID neovisnom servisnom centru ili kod pitanja u vezi popravka ili servisa:

- Kontaktirajte svog lokalnog RIDGID distributera. Posjetite [www.RIDGID.com](http://www.RIDGID.com) ili [www.RIDGID.eu](http://www.RIDGID.eu) gdje možete pronaći informacije za kontakt lokalne tvrtke RIDGID.
- Kontaktirajte tehnički servisni odjel tvrtke RIDGID na [rtctechservices@emerson.com](mailto:rtctechservices@emerson.com), a u SAD-u i Kanadi nazovite (800) 519-3456.

## Zbrinjavanje

Dijelovi vodenog mlaznika sadržavaju vrijedne materijale i mogu se reciklirati. Pronađite lokalne tvrtke koje se bave recikliranjem. Zbrinite komponente u skladu sa svim primjenjivim zakonskim uredbama. Za više informacija kontaktirajte lokalnu instituciju za upravljanje otpadom.



**Za države EU:** Električne uređaje nemojte bacati u kućno smeće!

U skladu s Europskom direktivom 2002/96/EZ o zbrinjavanju električnog i elektroničkog otpada i njezinom primjenom u lokalnom zakonodavstvu, električni uređaji koji se više ne mogu upotrijebiti, moraju se odvojeno skupljati i zbrinuti na odgovarajući, ekološki način.

## Otklanjanje grešaka

PROBLEM	UZROK	RJEŠENJE
<b>Mlaznik radi, ali stvara vrlo malo tlaka ili ne stvara tlak.</b>	Neodgovarajuća opskrba vodom.	Uvjerite se da je slavina dovoda vode <b>OTVORENA</b> . ..... Uvjerite se da je ulazni ventil mlaznika za dovod vode <b>OTVOREN</b> . ..... Uvjerite se da je gibljiva cijev dovoda vode slobodna i da nije zapetljana ili prignječena.
<b>Mlaznik se ne želi podešiti na puni radni tlak pri pokretanju.</b>	U sustavu je zaostao zrak. ..... Sapnice na mlaznici su začepljene	Skinite mlaznicu s gibljive cijevi za mlazno pranje i radom mlaznika ispuštite zrak/izbacite otpad iz sustava. ..... Skinite mlaznicu i očistite otvore sapnica alatom za čišćenje mlaznica.
<b>Manometar mlaznika oscilira od 500 do punog radnog tlaka.</b>	Sapnice na mlaznici su začepljene. ..... U sustavu je zaostala nečistoća ili zrak.	Skinite mlaznicu. Alatom za čišćenje mlaznica očistite otvore mlaznice: odaberite odgovarajuću veličinu žice i gurnite je do kraja kroz svaki otvor sapnice te tako uklonite nečistoću. ..... Skinite mlaznicu i umetnite gibljivu cijev za mlazno pranje u cijev odvoda. Radom mlaznika istisnite zrak i nečistoću.



# Stroj z vodnim curkom

## Stroji z vodnim curkom KJ-2200/3100



KJ-3100



KJ-2200

### **⚠ OPOZORILO!**

Pred uporabo orodja pozorno preberite ta priročnik za uporabnika. Nerazumevanje in neupoštevanje vsebine tega priročnika lahko povzroči električni udar, požar in/ali hude telesne poškodbe.

### Stroji z vodnim curkom KJ-2200/3100

Serijsko številko zapišite spodaj in shranite serijsko številko izdelka na napisni tablici.

Serijska št.

--

## Kazalo vsebine

<b>Obrazec za vpis serijske številke naprave</b> .....	367
<b>Varnostni simboli</b> .....	369
<b>Splošna varnostna pravila</b> .....	369
Varnost delovnega območja .....	369
Električna varnost .....	369
Osebna varnost .....	369
Uporaba in ravnanje z orodjem .....	370
Servisiranje .....	370
<b>Varnostna opozorila za orodje z vodnim curkom</b> .....	370
<b>Opis, tehnični podatki in standardna oprema</b> .....	371
Opis .....	371
Tehnični podatki .....	372
Ikone .....	372
Standardna oprema .....	372
<b>Sestavljanje stroja</b> .....	372
Motorno olje .....	372
Olje za črpalko/prenos .....	372
Transportni voziček KJ-2200 .....	373
Sestavljanje ročaja KJ-3100 .....	373
<b>Pregled pred uporabo</b> .....	373
<b>Nastavitev naprave in delovnega območja</b> .....	375
Dovod vode .....	376
Priprava odtoka .....	376
Priprava cevi .....	377
TABELA ZA IZBIRANJE CEVI ORODJA Z VODNIM CURKOM .....	378
TABELO ZA IZBIRANJE ŠOBE ORODJA Z VODNIM CURKOM .....	378
<b>Navodila za uporabo</b> .....	379
Čiščenje odtoka .....	380
Uporaba impulznega načina .....	381
Uporaba orodja z vodnim curkom kot tlačnega čistilnika .....	382
Uporaba tlačnega čistilnika .....	382
Sistem za mešanje detergenta .....	383
<b>Navodila za vzdrževanje</b> .....	383
Čiščenje .....	383
Motor .....	383
Mazanje črpalke .....	383
Mazanje prenosa .....	383
Priprava črpalke na shranjevanje v hladnem vremenu .....	383
<b>Dodatna oprema</b> .....	384
<b>Shranjevanje naprave</b> .....	385
<b>Servisiranje in popravilo</b> .....	385
<b>Odstranjevanje</b> .....	385
<b>Odpravljanje napak</b> .....	386
<b>Dosmrtna garancija</b> .....	Zadnja platnica

\* Prevod izvirnih navodil

## Varnostni simboli

V tem uporabniškem priročniku in na izdelku se uporabljajo varnostni simboli ter signalne besede za posredovanje pomembnih varnostnih informacij. V tem poglavju boste spoznali pomen teh signalnih besed in simbolov.



To je simbol za varnostno opozorilo. Uporablja se za opozarjanje na tveganje telesnih poškodb. Upoštevajte varnostna navodila, ki spremljajo ta simbol, da preprečite morebitno telesno poškodbo ali smrt.

### ⚠ NEVARNOST

NEVARNOST pomeni nevarno situacijo, ki bo povzročila smrt ali hudo telesno poškodbo, če se ji ne izognete.

### ⚠ OPOZORILO

OPOZORILO pomeni nevarno situacijo, ki bi lahko povzročila smrt ali hudo telesno poškodbo, če se ji ne izognete.

### ⚠ POZOR

POZOR pomeni nevarno situacijo, ki bi lahko povzročila manjše ali srednje telesne poškodbe, če se ji ne izognete.

### OBVESTILO

OBVESTILO pomeni informacijo, ki se nanaša na zaščito lastnine.



Ta simbol vas opozarja, da skrbno preberete uporabniški priročnik, preden začnete uporabljati opremo, da zmanjšate tveganje telesnih poškodb. Uporabniški priročnik vsebuje pomembne informacije o varni in pravilni uporabi opreme.



Ta simbol pomeni, da je treba pri uporabi ali delu s to opremo vedno uporabljati varnostna očala s stranskimi ščitniki ali naočnike, da zmanjšate nevarnost poškodbe oči.



Ta simbol označuje tveganje vode pod visokim tlakom, usmerjene proti delom telesa, kar lahko povzroči prodiranje kože in telesne poškodbe zaradi vbrizga.



Ta simbol označuje nevarnost opletanja orodja z vodnim curkom, ki bi lahko povzročilo telesne poškodbe zaradi udarcev ali vbrizganja.



Ta simbol označuje tveganje vdihovanja ogljikovega monoksida, kar lahko povzroči slabost, omedlevanje ali smrt.



Ta simbol označuje tveganje požara in eksplozije zaradi bencina ali drugih virov, ki lahko povzročijo opekline ali druge telesne poškodbe.

## Splošna varnostna pravila

### ⚠ OPOZORILO

**Pozorno preberite in se seznanite z vsemi navodili. Neupoštevanje vseh spodaj navedenih navodil lahko povzroči električni udar, požar in/ali hude telesne poškodbe.**

### TA NAVODILA SHRANITE!

#### Varnost delovnega območja

- **Delovni prostor naj bo čist in dobro osvetljen.** Neurejene mize in slabo osvetljeni prostori povečujejo verjetnost nesreče.
- **Električnih orodij ne uporabljajte v eksplozivnih atmosferah, npr. v prisotnosti vnetljivih tekočin, plinov ali prahu.** Električna orodja ustvarjajo iskre, zaradi katerih se prah ali hlapi lahko vnamejo.
- **Med uporabo električnega orodja naj bodo opazovalci, otroci in obiskovalci varno oddaljeni.** Zaradi motenj ob delu lahko izgubite nadzor nad orodjem.

#### Električna varnost

- **Preprečite stik telesa z ozemljenimi površinami, kot so cevi, radiatorji, štedilniki in hladilniki.** Če je vaše telo ozemljeno, je tveganje električnega udara večje.

#### Osebna varnost

- **Med uporabo električnega orodja bodite pazljivi, pozorni in delajte z glavo. Orodja ne uporabljajte, če ste utrujeni ali pod vplivom drog, alkohola ali zdravil.** Trenutek nepozornosti med uporabo električnega orodja lahko povzroči hude telesne poškodbe.
- **Bodite primerno oblečeni. Ne nosite ohlapnih oblačil in nakita. Spnite dolge lase. Las, obleke in rokavic ne približujete gibljivim delom.** Ohlapna oblačila, nakit ali dolgi lasje se lahko ujamejo v premikajoče se dele.
- **Ne stegujte se. Vedno skrbite, da stojite stabilno in da imate dobro ravnotežje.** Dobra opora za noge in ravnotežje omogočata boljši nadzor nad orodjem v nepredvidljivih situacijah.
- **Uporabljajte varnostno opremo. Vedno nosite zaščitna očala.** Zaščitno masko za prah, zaščitne čevlje

s podplatom proti drsenju, zaščitno čelado ali zaščitne slušalke je treba uporabljati ustrezno različnim delovnim pogojem, da preprečite poškodbe pri delu.

### Uporaba in ravnanje z orodjem

- **Orodja ne uporabljajte s silo. Uporabljajte orodje, ki je primerno za vaše delo.** Pravilno izbrano orodje bo delo opravilo hitreje in varneje s hitrostjo, za katero je bilo zasnovano.
- **Če ga ni mogoče vključiti in izključiti s stikalom, električnega orodja ne uporabljajte.** Vsako orodje, ki ga ne morete krmiliti s stikalom, je nevarno in ga je treba popraviti.
- **Orodja, ki jih ne uporabljate, hranite zunaj dosega otrok in drugih neusposobljenih oseb.** Orodje je nevarno, če ga uporabljajo neizkušene osebe.
- **Orodja vzdržujte previdno. Rezalna orodja naj bodo ostra in čista.** Pravilno vzdrževana orodja z ostrimi rezili se manjkrat ukleščijo in jih je lažje upravljati.
- **Preverite, ali so gibljivi deli orodja pravilno nameščeni in niso ukleščeni, preverite tudi morebitne zlome delov in vsa druga stanja, ki bi lahko vplivala na delovanje orodja. Če je orodje poškodovano, ga pred uporabo oddajte v servis.** Številne nesreče so posledica slabo vzdrževanih orodij.
- **Uporabljajte samo dodatno opremo, ki jo proizvajalec priporoča za vaš model.** Dodatna oprema, primerna za uporabo z določenim orodjem, lahko postane nevarna, če jo uporabljate z drugim orodjem.

### Servisiranje

- **Servisiranje orodja lahko izvaja samo strokovno usposobljeno servisno osebje.** Če servisiranje ali vzdrževanje opravlja osebje, ki za to ni strokovno usposobljeno, lahko pride do telesnih poškodb.
- **Pri servisiranju orodja uporabljajte samo enake nadomestne dele. Upoštevajte navodila iz poglavja Vzdrževanje v tem priročniku.** Uporaba neodobrenih delov ali neupoštevanje navodil za vzdrževanje lahko povzroči tveganje električnega udara ali telesnih poškodb.

## Varnostna opozorila za orodje z vodnim curkom

### ▲ OPOZORILO

To poglavje vsebuje pomembna varnostna navodila, značilna za to orodje.

**Da bi zmanjšali nevarnost električnega udara ali drugih hudih poškodb, pred uporabo naprave za čiščenje odtokov skrbno preberite naslednja varnostna opozorila.**

### VSA OPOZORILO IN NAVODILA SHRANITE ZA NADALJNJO UPORABO!

Ta priročnik hranite skupaj z napravo, da ga lahko uporablja uporabnik naprave.

- **Orodja z vodnim curkom nikoli ne uporabljajte tako, da je konec cevi zunaj odtoka.** Cev lahko začne opletati, kar lahko povzroči telesne poškodbe zaradi udarca, curek pa lahko predre kožo in povzroči hude telesne poškodbe.
- **Voda pod visokim tlakom lahko prodre skozi kožo in povzroči hude telesne poškodbe, vključno z amputacijo.** Curka vode ne usmerjajte proti ljudem ali živalim.
- **Orodja z vodnim curkom ne uporabljajte s tlakom, ki presega nazivno vrednost, ali pri temperaturi vode nad 140°F / 60°C (temperatura dovoda vode).** To poveča tveganje telesnih poškodb, vključno z opeklinami, in poškodb na orodju z vodnim curkom.
- **Postopek uporabe vodnega curka in nožni ventil mora upravljati ista oseba. Vedno uporabljajte samo nožni ventil.** Če cev orodja z vodnim curkom uide iz odtoka, mora imeti uporabnik možnost, da izklopi pretok vode, da zmanjša tveganje opletanja cevi, kar bi lahko povzročilo telesne poškodbe zaradi udarca in vbrizga pod visokim tlakom.
- **Pri delu z in uporabi opreme v odtokih vedno uporabljajte ustrezno osebno zaščitno opremo.** Odtoki lahko vsebujejo kemikalije, bakterije in druge snovi, ki so lahko strupene, kužne ter povzročajo opekline in druge težave. Ustrezna osebna zaščita vedno vsebuje zaščitna očala in rokavice, lahko pa vključuje tudi takšno opremo, kot so rokavice iz gume ali lateksa, obrazne ščitnike, zaščitna očala, zaščitna oblačila, respiratorje in obutev z jekleno zaščito prstov.
- **Skrbite za higieno. Za umivanje rok in drugih telesnih delov, izpostavljenih vsebini odtoka, po delu z ali uporabi opreme za čiščenje odtokov uporabite vročo milnico.** Med uporabo ali delom z opremo za čiščenje odtokov ne jejte in ne kadite. Tako boste preprečili onesnaženje s strupenim ali kužnim materialom.



- **Ne pršite strupenih ali vnetljivih tekočin.** S tem boste zmanjšali tveganje opeklin, požara, eksplozije ali drugih telesnih poškodb.
- **Bencin in njegovi hlapi so močno vnetljivi ter eksplozivni.** Za previdnostne ukrepe za zmanjšanje tveganja opeklin, eksplozij in hudih telesnih poškodb glejte navodila za motor.
- **Motorji tvorijo ogljikov monoksid, strupen plin brez barve in vonja. Vdihavanje ogljikovega monoksida lahko povzroči slabost, omedlevanje ali smrt.** Motorja ne zaženite in ne pustite delovati v zaprtih prostorih, tudi če imate odprta vrata ter okna. Uporabljajte ga samo na prostem.
- **Vročje površine lahko povzročijo opeklino in požare.** Dele telesa in vnetljive materiale varujte pred vročimi površinami.
- **Pred uporabo morate prebrati in razumeti ta navodila, navodila za motor ter opozorila in navodila za vso opremo, ki jo uporabljate s tem orodjem.** Neupoštevanje katerega koli opozorila in navodila lahko povzroči škodo na lastnini in/ali hude telesne poškodbe.

Izjava o skladnosti za EU (890-011-320.10) po potrebi spremlja ta priročnik kot ločena knjižica.

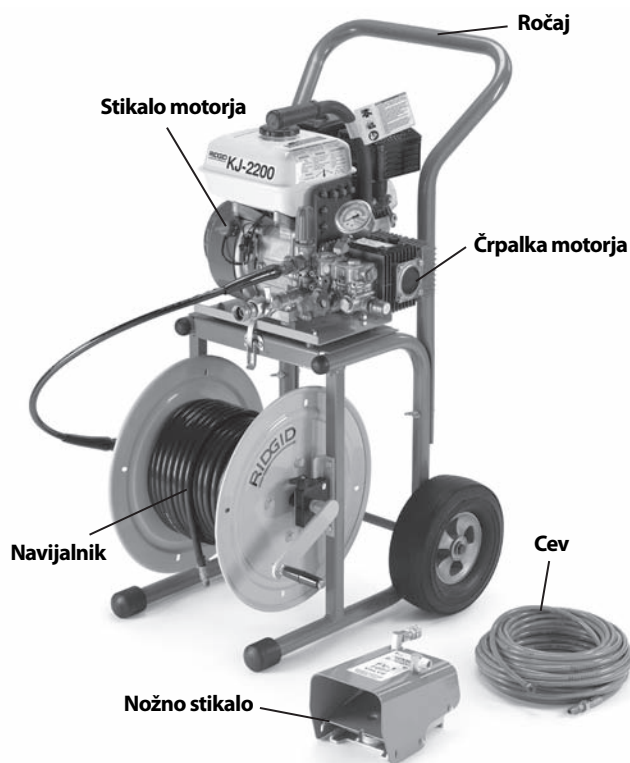
Če imate vprašanja v zvezi s tem izdelkom RIDGID®:

- Obrnite se na krajevnega distributerja RIDGID.
- Obiščite [www.RIDGID.com](http://www.RIDGID.com) ali [www.RIDGID.eu](http://www.RIDGID.eu), da najdete krajevno zastopstvo RIDGID.
- Obrnite se na servisni oddelek RIDGID na naslovu [rtctechservices@emerson.com](mailto:rtctechservices@emerson.com), v ZDA in Kanadi pa lahko tudi pokličete (800) 519-3456.

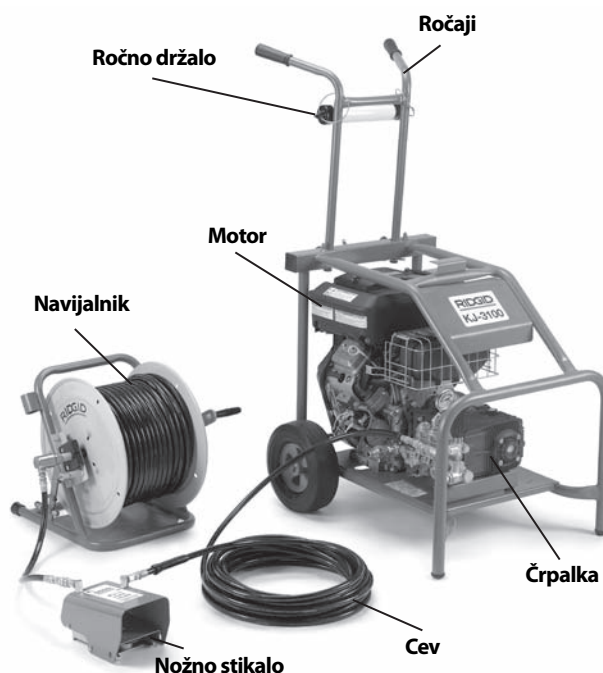
## Opis, tehnični podatki in standardna oprema

### Opis

Motorni stroji z vodnim curkom RIDGID® so prenosni stroji z visokotlačnim vodnim curkom, ki so zasnovani tako, da omogočajo s kombinacijo vodnega tlaka in pretoka čiščenje masti, blata, usedlin ter korenin iz odtokov. Zelo upogljiva in lahka cev se poganja skozi odtok s pomočjo vzvratnih šob na glavi s šobami, pri vrnitvi pa očisti odtok in odplakne umazanijo. Ko je vključeno impulzno delovanje, se lažje premaknete skozi zahtevne krivine in sifone. Vsi stroji so opremljeni z bencinskim motorjem, ki poganja tristopenjsko batno črpalko.



Slika 1 – Orodje z vodnim curkom KJ-2200



Slika 2 – Orodje z vodnim curkom KJ-3100



Slika 3 – Serijska številka naprave

Serijska številka stroja je nameščena na ogrodju. Zadnja 4 mesta označujejo mesec in leto proizvodnje. (08 = mesec, 10 = leto)

### Tehnični podatki

Model orodja z vodnim curkom	Motor KM	Tlak PSI / bar
KJ-2200	6,5 / 6,5	2200 / 150
KJ-3100	16	3000 / 205
Pretok GPM / l/m	Velikost izpustnega voda palcev / mm	Teža (brez navijalnika) lbs / kg
2,4 / 9	1 1/4 - 6 / 32 - 152	65 / 30
5,5 / 20	2 - 10 / 50 - 250	262 / 119

### Ikone



### Standardna oprema

Vsi stroji na vodni curek imajo priložene:

- ustrezne glave s šobami,
- orodje za čiščenje šob,
- nožni ventil FV-1,
- navodila za uporabo motorja.

Za posebno opremo, ki je priložena vsaki kataloški številki, glejte katalog RIDGID.

**OBVESTILO** Ta naprava je namenjena za čiščenje odtokov. Pri pravilni uporabi ne bo poškodovala odtoka, ki je v dobrem stanju in pravilno konstruiran, izdelan ter vzdrževan. Če je odtok v slabem stanju ali če ni bil pravilno konstruiran, izdelan in vzdrževan, morda postopek čiščenja ne bo učinkovit ali se lahko odtok

poškoduje. Najboljši način za določitev stanja odtoka pred čiščenjem je s pregledom s kamero. Nepravilna uporaba tega orodja z vodnim curkom lahko poškoduje orodje z vodnim curkom in odtok. Ta naprava morda ne bo mogla odstraniti vseh zamašitev.

### Sestavljanje stroja

#### ⚠ OPOZORILO

**Da preprečite hude telesne poškodbe med uporabo in preprečite škodo na stroju, upoštevajte te postopke za pravilno sestavljanje.**

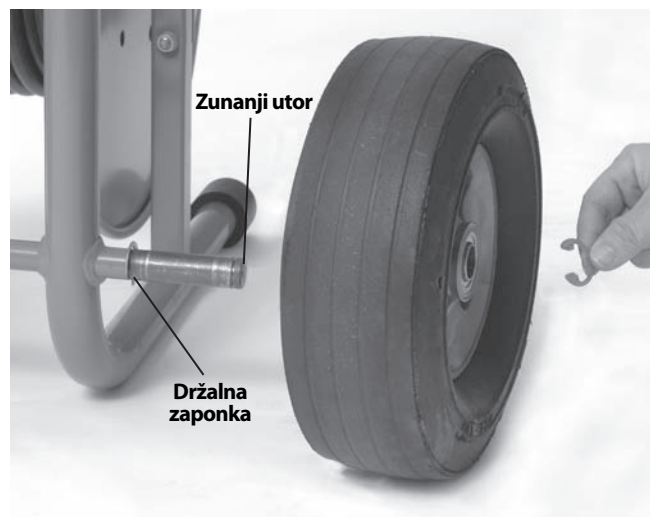
#### Motorno olje

**OBVESTILO** Orodje z vodnim curkom se dobavi brez olja v motorju. Če motor uporabljate brez olja, bo odpovedal. Pred uporabo dodajte olje. Za informacije o dodajanju in izbiri olja glejte priloženi priročnik za uporabo motorja.

#### Olje za črpalko/prenos

**Črpalka:** Odstranite čep na vrhu črpalke in ga zamenjajte z merilno palico/pokrovom za odzračevanje. Če orodje z vodnim curkom uporabljate z nameščenim čepom, se lahko poškodujejo tesnila črpalke. Količino olja preverite po navodilih v razdelku *Navodila za vzdrževanje*.

**Prenos (samo KJ-3100):** Odstranite čep na vrhu črpalke in ga zamenjajte z merilno palico/pokrovom za odzračevanje. Če orodje z vodnim curkom uporabljate z nameščenim čepom, se lahko poškodujejo tesnila prenosa. Količino maziva preverite po navodilih v razdelku *Navodila za vzdrževanje*.



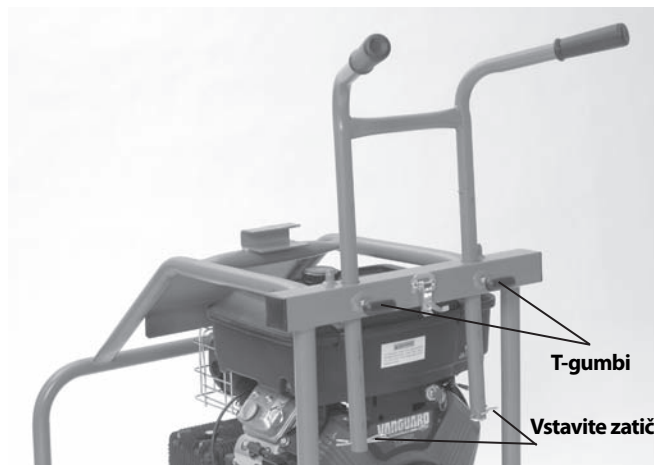
Slika 4 – Sestavljanje naprave KJ-2200

### Transportni voziček KJ-2200

1. V notranji utor na vsakem koncu osi vstavite držalno zaponko. (Glejte sliko 4.)
2. Na vsak konec osi natakните kolo.
3. V zunanji utor na vsakem koncu osi vstavite držalno zaponko.
4. S priloženimi vijaki s polkrožno glavo in krilatimi maticami pritrdite ročaj na ogrodje.
5. Sklop motorja in črpalke dvignite na voziček ter poravnajte luknje v osnovni plošči z zatiči na vrhu vozička. Za pritrditev sklopa motorja in črpalke uporabite zaponke na vozičku. Poskrbite, da je sklop dobro pritrjen.

### Sestavljanje ročaja KJ-3100

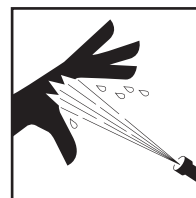
1. Ročaj vstavite skozi dve luknji v zadnjem prečniku ogrodja. (Glejte sliko 5.)
2. Skozi luknji v dnu ročaja vstavite zatiča, da preprečite izvlek ročaja.
3. V zadnji prečnik privijte T-gumbe. Ročaje nastavite po svojih željah in zategnite gumbe, da zavarujete ročaj.



Slika 5 – Sklop ročaja naprave KJ-3100

### Pregled pred uporabo

#### ⚠ OPOZORILO



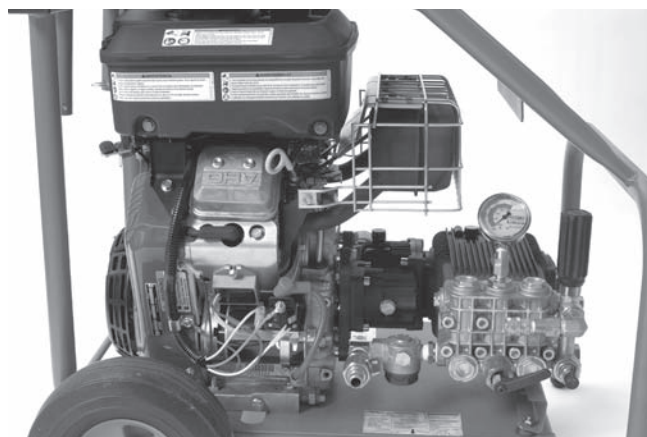
**Pred vsako uporabo preglejte orodje z vodnim curkom in odpravite morebitne težave, da zmanjšate tveganje hudih telesnih poškodb zaradi vode pod visokim tlakom ali drugih vzrokov ter da preprečite škodo na orodju z vodnim curkom.**

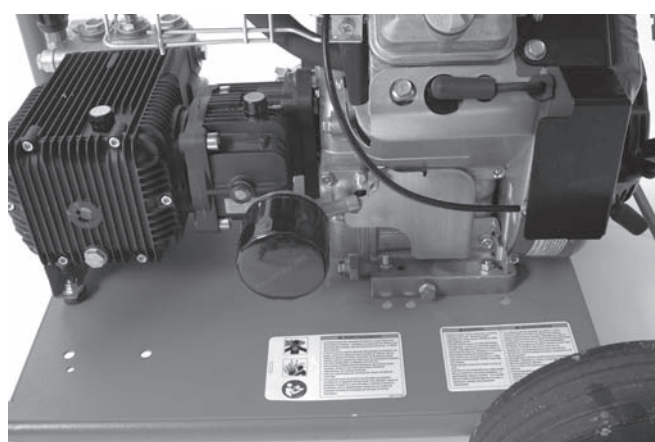
**Pri pregledovanju svojega orodja z vodnim curkom vedno nosite varnostna očala, rokavice in drugo ustrezno zaščitno opremo, da se zaščitite pred kemikalijami in bakterijami na opremi.**

1. Poskrbite, da je stikalo/ključ motorja v izključenem položaju.
2. Z opreme očistite olje, maščobo ali umazanijo, še posebej z ročajev in krmilnih elementov. To pomaga pri pregledovanju in preprečuje drsenje naprave ali elementov za upravljanje, ko jih držite.
3. Orodje z vodnim curkom in dodatno opremo preglejte ter preverite naslednje.
  - Preverite, ali je orodje pravilno sestavljeno in nima manjkajočih delov.
  - Preverite, ali so morda prisotni zlomljeni, obrabljeni, manjkajoči, neizravnani, zatikajoči se ali nepripravljeni deli.
  - Preverite, ali so opozorilne nalepke nameščene in čitljive. (Glejte sliko 6.)
  - Preverite vsa druga stanja, ki bi lahko preprečila varno in običajno delovanje.

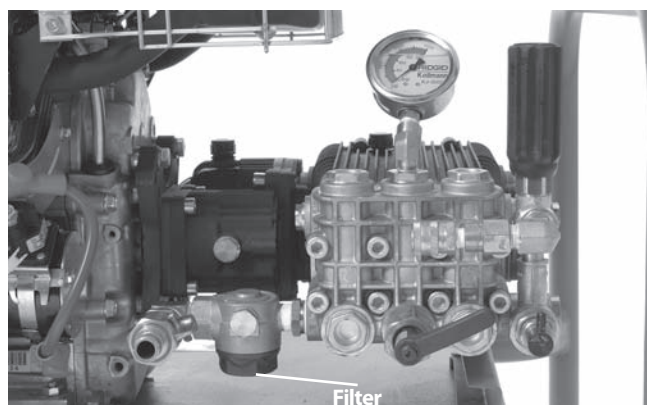
V primeru kakršnih koli težav enote ne uporabljajte, dokler težav ne odpravite.




**Slika 6A – Opozorilne nalepke za model KJ-2200**

**Slika 6D – Opozorilne nalepke za model KJ-3100**

**Slika 6B – Opozorilne nalepke za model KJ-2200**

**Slika 6C – Opozorilne nalepke za model KJ-3100**

4. Očistite filter in podložko filtra na dovodu vode. Za čiščenje odvijte pokrov z dna dovodnega filtra. Umazanija in odpadki lahko zamašijo dovod vode do črpalke ter povzročijo težave z zmogljivostjo.


**Slika 7 – Dovodni filter/podložka filtra**

5. Preverite, ali so šobe v glavi s šobami zamašene in poškodovane. Zamašitve lahko očistite z orodjem za čiščenje šob. Pazite, da med čiščenjem ne povečate odprtin šob. Poškodovane šobe ali šobe s povečano odprtino lahko zmanjšajo zmogljivost orodja z vodnim curkom in jih je treba zamenjati.
6. Preglejte cevi, priključke in nastavke, ali so obrabljeni in poškodovani. Če je cev prepognjena, razpokana, počena ali obrabljena skozi zunanji ovoj, je ne uporabljajte. Poškodovane cevi lahko počijo ali puščajo vodo pod visokim tlakom, kar lahko povzroči hude telesne poškodbe. Nadomestne cevi in priključki morajo imeti nazivni tlak večji ali enak tlaku orodja z vodnim curkom.
7. Motor pregledujte in vzdržujte skladno s priročnikom za uporabo motorja.



8. Preverite raven goriva v motorju. Pri modelu KJ-3100 odklopite zapah navijalnika cevi in zavrtite navijalnik naprej, dokler ni naslonjen na ogrodje, da dobite dostop do pokrova za gorivo na motorju, glejte *slika 8*. Po potrebi dodajte neosvinčen bencin. Za podrobnosti glejte navodila za uporabo motorja. Pri delu z bencinom bodite previdni. Gorivo dolivajte v dobro prezračenenem okolju. Posode ne prenapolnite in ne razlivajte goriva. Poskrbite, da je pokrov posode dobro zaprt.



Slika 8 – Dostop do posode za gorivo za napravo KJ-3100

9. Preverite količino olja v črpalki in prenosu (če je vgrajen) in po potrebi dodajte olje (glejte razdelek Navodila za vzdrževanje).

## Nastavitev naprave in delovnega območja

### ⚠ OPOZORILO



**Pri pripravi svojega orodja z vodnim curkom vedno nosite varnostna očala, rokavice in drugo ustrezno zaščitno opremo, da se zaščitite pred kemikalijami in bakterijami na opre. Čevlji z gumijastim pod-**

**platom proti zdrsu pomagajo preprečiti zdrse na mokrih površinah.**

**Motorji tvorijo ogljikov monoksid, strupen plin brez barve in vonja. Vdihavanje ogljikovega monoksida lahko povzroči slabost, omedlevanje ali smrt. Motorja ne zaženite in ne pustite delovati v zaprtih prostorih, tudi če imate odprta vrata ter okna. Uporabljajte ga samo na prostem.**

**Orodje z vodnim curkom in delovno območje pripravite skladno s temi postopki, da zmanjšate tveganje telesnih poškodb zaradi vode pod visokim tlakom, kemičnih opeklin, okužb, ogljikovega monoksida in drugih vzrokov ter da preprečite škodo na orodju z vodnim curkom.**

1. Preverite delovno območje, ali so prisotne naslednje stvari:

- Ali je na voljo ustrezna razsvetljava?
- Vnetljive tekočine, hlapi ali prah, ki se lahko vnamejo. Če so prisotni, v območju ne delajte, dokler viri niso ugotovljeni in odpravljeni. Orodje z vodnim curkom ni eksplozijsko varno in lahko povzroča iskrenje.
- Čisto, ravno, stabilno in suho mesto za napravo ter uporabnika. Po potrebi iz delovnega območja odstranite vodo. Morda boste morali odstraniti les ali druge pokrove.

Orodje z vodnim curkom postavite na dobro prezračeno mesto na prostem. Orodja z vodnim curkom ne postavljajte v zaprte prostore, niti pri odprtih oknih in vratih. Orodje z vodnim curkom lahko postavite stran od mesta uporabe.

- Primeren dovod vode.
  - Počistite dostop za prevoz orodja z vodnim curkom do mesta za namestitev.
2. Preverite odtok, ki ga je treba očistiti. Po možnosti določite točke dostopa do odtokov, velikosti in dolžine odtokov, razdalje do posod in glavnih vodov, prisotnost kemikalij za čiščenje ali drugih kemikalij itd. Če so v odtoku prisotne kemikalije, je pomembno, da razumete posebne varnostne ukrepe, potrebne za delo s temi kemikalijami. Za informacije se obrnite na proizvajalca kemikalij.

Po potrebi odstranite sanitarno keramiko (stranišče itd.), da omogočite dostop do odtoka. Cevi ne napeljite skozi sanitarno keramiko. To lahko poškoduje cev ali keramiko.

3. Določite pravilno opremo za delo, ki ga je treba opraviti. Za informacije o teh orodjih z vodnim curkom *glejte razdelek Tehnični podatki*. Naprave za čiščenje odtokov za druge namene poiščite v katalogu RIDGID na spletnem mestu [www.RIDGID.com](http://www.RIDGID.com) ali [www.RIDGID.eu](http://www.RIDGID.eu).

4. Zagotovite ustrezen pregled vse opreme.
5. Ocenite delovno območje in se odločite, ali ga je treba zgraditi, da bi mimoidoče zadržali zunaj delovnega območja. Mimoidoči bi lahko uporabnika motili pri delu. Če delate v bližini cestnega prometa, namestite stožce ali druge ovire za opozarjanje voznikov.
6. Po potrebi namestite v delovno območje zaščitne pokrove. Postopek čiščenja odtokov je lahko umazan.
7. Orodje z vodnim curkom odpeljite po poti brez ovir na dobro prezračeno delovno območje na prostem. Če je treba stroj dvigniti, uporabljajte primerne tehnike dvigovanja. Pri premikanju opreme po stopnicah bodite previdni in se zavedajte možnih tveganj zdrsa. Nosite primerno obutev, da preprečite zdrse.

**Dovod vode**

Poskrbite, da je na voljo zadosten pretok vode za orodje z vodnim curkom. Napeljite cev od vira vode do orodja z vodnim curkom. Uporabite najkrajšo mogočo cev z največjim mogočim presekom. Najmanjša priporočena velikost cevi je 3/4" / 19 mm notranjega premera. Za zagotovitev skladnosti z vsemi krajevnimi predpisi in uredbami je treba uporabiti primerno napravo za preprečevanje povratnega pretoka. Odprite vir vode in izmerite čas, ki je potreben za polnjenje čiste posode, ki drži 5 gal. / 18,9 l. *Glejte naslednjo tabelo za največje dovoljene čase polnjenja posode za posamezna orodja z vodnim curkom.*

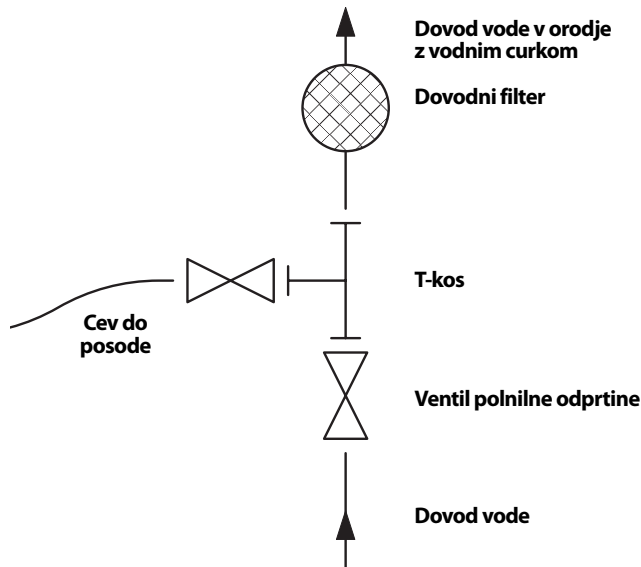
Orodje z vodnim curkom	Nazivna vrednost GPM / l/m	Največji čas polnjenja posode, ki drži 5 gal. / 18,9 l
KJ-2200	2.4 / 9	125 sekund
KJ-3100	5.5 / 20	55 sekund

Nezadosten pretok vode prepreči, da bi orodje z vodnim curkom doseglo delovni tlak in lahko poškoduje črpalko. Preglejte vodo v posodi, ali vsebuje umazanijo in odpadke. Umazanija in odpadki v dovodu vode lahko povzročijo čezmerno obrabo črpalke, zamašijo filtre glav s šobami in zmanjšajo zmogljivost. Ne uporabljajte vode iz ribnikov, jezer ali drugih virov, ki so lahko onesnaženi.

V primerih nezadostnega pretoka vode vključujejo možne rešitve uporabo nastavkov za priključitev več dovodnih cevi na orodje z vodnim curkom ali uporabo posode.

Če uporabite posodo, jo priključite preko T-kosa na dovod vode v orodje z vodnim curkom, kot kaže *slika 9*.

Na ventil na izhodu T-kosa priključite cev 3/4" / 19 mm, ki ni daljša od 6' / 1,8 m, in priključite dovod vode na T-kos. Konec cevi postavite v posodo ali ga priključite na priključek posode. Celotna dolžina cevi posode ne sme biti več kot 5" / 12,7 cm nad dovodom vode v orodje z vodnim curkom ali pa orodje ne bo vleklo vode iz posode.



**Slika 9 – Priključki za dovod vode s posodo**

Posodo napolnite pred zagonom orodja z vodnim curkom. Pri zagonu orodja z vodnim curkom izklopite ventil posode. Ko orodje z vodnim curkom steče, takoj odprite ventil posode. Nadzorujte količino vode v posodi in po potrebi brizganje ustavite, če se mora posoda znova napolniti. Raven vode ne sme pasti pod konec cevi.

Za boljše čiščenje lahko uporabite toplo vodo. Ne uporabljajte vode s temperaturo nad 140°F / 60°C – to lahko povzroči sproženje toplotnega varovala v črpalki. Pri uporabi vroče vode uporabljajte primerno osebno zaščitno opremo, da zmanjšate tveganje opeklin.

Pri uporabi v hladnem vremenu bodite previdni, da preprečite zmrzovanje vode v črpalki. To lahko poškoduje črpalko.

Poskrbite, da je dovodni ventil na orodju z vodnim curkom zaprt, in priključite dovodno cev na orodje z vodnim curkom.

**Priprava odtoka**

Če delate skozi kanal s pokrovom, rešetko ali drugo veliko odprtino, si s cevmi in priključki ustvarite vodilo za cev orodja z vodnim curkom od odprtine odtoka do točke uporabe. S tem boste preprečili opletanje cevi orodja z vodnim curkom v dostopni odprtini in zaščitili cev pred poškodbami.



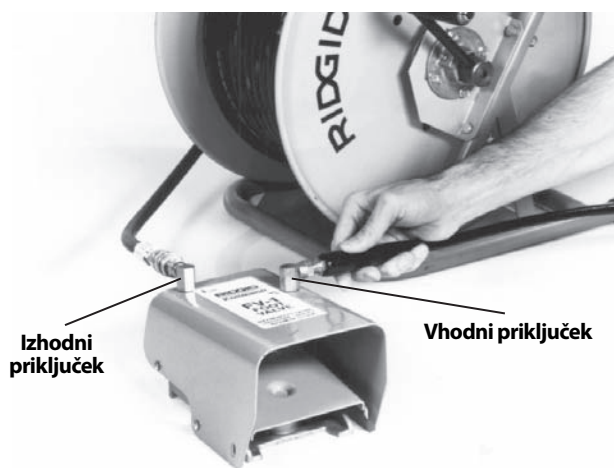
Slika 10 – Podaljšanje ustja odtoka do točke uporabe

### Priprava cevi

Pri napeljevanju cevi orodja z vodnim curkom bodite previdni. Napeljevanje cevi po grobih površinah, ostrih robovih, prekrivanje cevi itd. lahko poškoduje plašč cevi, zlasti pri uporabi orodja z vodnim curkom v impulznem načinu. Če imate cev orodja z vodnim curkom navito na navijalniku, to pomaga pri zmanjšanju poškodb na cevi.

1. Izberite velikost cevi orodja z vodnim curkom, primerno za odtok, ki ga čistite. Na splošno ne priporočamo, da za čiščenje odtoka sestavite dve cevi orodja z vodnim curkom. Povezava med cevmi je manj gibljiva in lahko prepreči prehod skozi nastavke. *Glejte tabelo za izbiranje cevi orodja z vodnim curkom.*
2. Po potrebi ločite navijalnik cevi s sklopa motorja in črpalke. Navijalnik cevi postavite največ 3' / 90 cm od odprtine odtoka. Da preprečite poškodbe cevi, ne dovolite, da se zunaj odtoka nabere prevelika dolžina cevi. Če navijalnika cevi ne morete postaviti največ 3' / 90 cm od odprtine odtoka, podaljšajte odprtino odtoka do navijalnika cevi s cevjo in priključki podobne velikosti.
3. Cev napeljite od orodja z vodnim curkom do priključka IN na nožnem ventilu. Za zatesnitev povezave uporabite teflonski trak. Nožni ventil postavite tako, da je dostopen. Imeti morate možnost hkratnega nadzora nožnega ventila in cevi orodja z vodnim curkom.

4. Cev napeljite od priključka OUT na nožnem ventilu do navijalnika.

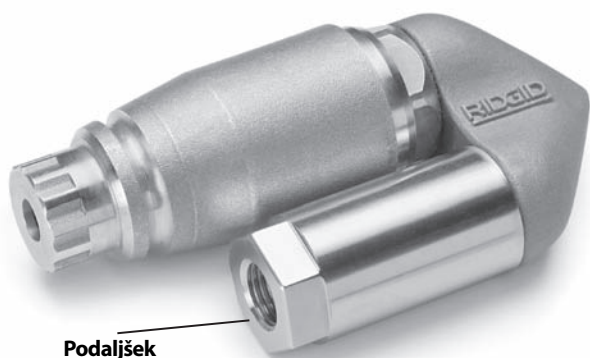


Slika 11 – Priključitev nožnega ventila

5. Cev orodja z vodnim curkom označite blizu konca, da označite, kdaj bo med izvlekom glava s šobami blizu ustja odtoka. S tem boste preprečili, da bi glava prišla iz odtoka in začela opletati. Razdalja je odvisna od konfiguracije odtoka, vendar mora znašati najmanj 4' / 1,2 m.
6. Glavo odstranite s konca cevi orodja z vodnim curkom in postavite konec cevi nazaj v odtok. Odprite dovodni ventil, da odstranite zrak in morebitne smeti iz orodja z vodnim curkom ter cevi. Vodo pustite teči najmanj 2 minuti.
7. Zaprite dovodni ventil.
8. Izberite glavo. Uporabite glavo, ki je po velikosti prilagojena uporabljenemu orodju z vodnim curkom. Uporaba napačnih glav lahko povzroči slabo zmogljivost (nizek tlak ali pretok delovanja) ali lahko poškoduje orodje z vodnim curkom zaradi previsokih tlakov. Poskrbite, da so odprtine šob čiste in odprte. *Glejte tabelo za izbiranje glav orodja z vodnim curkom.*

Če uporabljate glavo RR3000 za odtoke, ki so večji od 6" / 152 mm in imajo velikost do 9" / 229 mm, morate uporabiti podaljšek. Pri odtokih premera 6" / 152 mm in manjših podaljšek ni potreben. Po potrebi z roko trdno privijte podaljšek na glavo RR3000 – ne zategnite ga preveč. Če uporabljate šobo RR3000 v odtoku s premerom od 6" / 152 do 9" / 229 mm brez podaljška ali če jo uporabljate v odtokih s premerom nad 9" / 229 mm, lahko glava v odtoku spremeni smer, izstopi na strani uporabnika in povzroči hude telesne poškodbe (slika 12).

9. Z roko trdno privijte glavo na konec cevi – ne zategnite je preveč. Če glavo preveč zategnete, jo lahko poškodujete in povzročite slabo delovanje.
10. Cev s pritrjeno glavo vstavite v odtok in odprite dovodni ventil. Potrdite, da voda prosto teče skozi šobo, in zaprite dovodni ventil.



Slika 12 – Šoba RR3000 s podaljškem

#### TABELA ZA IZBIRANJE CEVI ORODJA Z VODNIM CURKOM

Načini uporabe		Velikost cevi palci / mm	Velikost šobe palci / mm	Velikost cevi (notranji premer) palci / mm	Velikost cevi (zunanji premer) palci / mm
KJ-2200	Kopalniški umivalniki, pisoarji in majhni odtoki.	1 <sup>1</sup> / <sub>4</sub> - 2 / 32 - 50	1/8 / 3,2 NPT	1/8 / 3,2	3/16 / 4,8
	Kuhinjska korita, korita in sklopi za pranje, čistilni odtoki ter zračniki.	2 - 3 / 50 - 76	1/8 / 3,2 NPT	3/16 / 4,8	1/4 / 6,4
	Odtoki tušev in talni odtoki, stranski vodi ter ločevalniki maščobe.	3 - 4 / 76 - 101	1/4 / 6,4 NPT	1/4 / 6,4	1/2 / 13
	Stranski in glavni vodi.	4 - 6 / 101 - 152	1/4 / 6,4 NPT	1/4 / 6,4	1/2 / 13
KJ-3100	Sklopi, čistilni odtoki in zračniki.	2 - 3 / 50 - 76	1/8 / 3,2 NPT	3/16 / 4,8	1/4 / 6,4
	Talni odtoki, stranski vodi in ločevalniki maščobe.	3 - 4 / 76 - 101	1/4 / 6,4 NPT	3/8 / 9,5	5/8 / 16
	Stranski in glavni vodi.	4 - 10 / 101 - 250	1/4 / 6,4 NPT	3/8 / 9,5	5/8 / 16

#### TABELA ZA IZBIRANJE ŠOBE ORODJA Z VODNIM CURKOM

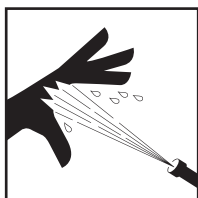
		Velikost navoja, palci / mm	1/8 / 3,2 NPT	1/4 / 6,4 NPT
		Velikost cevi (notranji premer), palci / mm	1/8 in 3/16 / 3,2 in 4,8	1/4 / 6,4
		Velikost cevi (zunanji premer), palci / mm	3/16 in 1/4 / 4,8 in 6,4	1/2 / 13
KJ-2200	Ima tri vzvratne potisne šobe za maksimalni pogon in doseganje dolgih razdalj. To glavo uporabite v večini primerov.		<b>H-61</b>	<b>H-71</b>
	Ima tri vzvratne potisne šobe in eno šobo, obrnjeno naprej, ki prodre skozi zamašitve zaradi maščobe ali blata. Šoba, obrnjena naprej, izvrtja majhno luknjico v zamašitvi, tako da se lahko glava premakne naprej. Zelo učinkovita je tudi pri odstranjevanju zamašitev zaradi ledu.		<b>H-62</b>	<b>H-72</b>
	Spustno glavo uporabite za zahtevne zavoje. Ta glava ima tri nazaj obrnjene šobe.		<b>H-64</b>	
	Vrtljivo glavo uporabite za čiščenje masti in podobnih zamašitev iz odtokov.		<b>H-65</b>	<b>H-75</b>



KJ-3100	Velikost navoja, palci / mm	1/8 / 3,2 NPT	1/4 / 6,4 NPT
	Velikost cevi (notranji premer), palci / mm	3/16 / 4,8	3/8 / 9,5
	Velikost cevi (zunanji premer), palci / mm	1/4 / 6,4	5/8 / 16
Ima štiri (4) vzvratne potisne šobe za maksimalni pogon in doseganje dolgih razdalj. To glavo uporabite v večini primerov.	<b>H-101</b>	<b>H-111</b>	
Ima tri vzvratne potisne šobe in eno šobo, obrnjeno naprej, ki prodre skozi zamašitve zaradi maščobe ali blata. Šoba, obrnjena naprej, izvrti majhno luknjo v zamašitvi, tako da se lahko glava premakne naprej. Zelo učinkovita je tudi pri odstranjevanju zamašitev zaradi ledu.	<b>H-102</b>	<b>H-112</b>	
Spustno glavo uporabite za zahtevne zavoje. Ta glava ima štiri (4) nazaj obrnjene šobe.	<b>H-104</b>		
Vrtljivo glavo uporabite za čiščenje masti in podobnih zamašitev iz odtokov.	<b>H-105</b>	<b>H-115</b>	
To uporabite za odstranjevanje korenin in drugih zamašitev. OPOMBA! Pri čiščenju odtokov premera 8"/200 mm stabilizirajte glavo RR3000 s podaljškom.		<b>RR3000</b>	

## Navodila za uporabo

### ⚠ OPOZORILO



Vedno nosite zaščito za oči, da zaščitite svoje oči pred umazanijo in drugimi tujki. Vedno nosite osebno zaščitno opremo, ki je primerna za delovno okolje.

Orodja z vodnim curkom nikoli ne uporabljajte tako, da je konec cevi zunaj odtoka. Cev lahko začne opletati, kar lahko povzroči telesne poškodbe zaradi udarca, curek pa lahko predre kožo in povzroči hude telesne poškodbe.

Voda pod visokim tlakom lahko prodre skozi kožo in povzroči hude telesne poškodbe, vključno z amputacijo. Curka vode ne usmerjajte proti ljudem ali živalim.

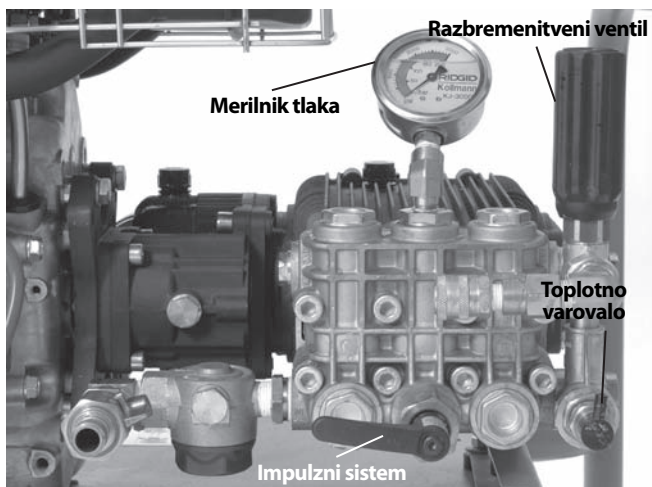
Orodja z vodnim curkom ne uporabljajte s tlakom, ki presega nazivno vrednost, ali pri temperaturi vode nad 140°F / 60°C (temperatura dovoda vode). To poveča tveganje telesnih poškodb, vključno z opeklinami, in poškodb na orodju z vodnim curkom.

Postopek uporabe vodnega curka in nožni ventil mora upravljati ista oseba. Vedno uporabljajte samo nožni ventil. Če cev orodja z vodnim curkom uide iz odtoka, mora imeti uporabnik možnost, da izklopi pretok vode, da zmanjša tveganje opletanja cevi, kar bi lahko povzročilo telesne poškodbe zaradi udarca in vbrizga pod visokim tlakom.

Pri delu z in uporabi opreme v odtokih vedno uporabljajte ustrezno osebno zaščitno opremo. Otoki lahko vsebujejo kemikalije, bakterije in druge snovi, ki so lahko strupene, kužne ter povzročajo opekline in druge težave. Ustrezna osebna zaščita vedno vsebuje zaščitna očala in rokavice, lahko pa vključuje tudi takšno opremo, kot so rokavice iz gume ali lateksa, obrazne ščitnike, zaščitna očala, zaščitna oblačila, respiratorje in obutev z jekleno zaščito prstov.

Upoštevajte navodila za uporabo, da zmanjšate nevarnost poškodb zaradi opletajočih cevi, vbrizga tekočine pod tlakom, ogljikovega monoksida in drugih razlogov.

1. Poskrbite za pravilno pripravo naprave in delovnega območja ter da na delovnem območju ni mimoidočih in drugih stvari, ki bi vas lahko zmotile. Če je orodje z vodnim curkom nameščeno stran od mesta uporabe, naj bo ob orodju druga oseba.
2. Cev s pritrjeno šobo vstavite najmanj za en meter v odtok, tako da konec cevi ne bo ušel iz odtoka in začel opletati, ko zaženete stroj.
3. Potrdite, da je ročica za impulzni sistem obrnjena v levo v položaj »Pressure« (slika 16).
4. Odprite dovodni ventil. Motorja nikoli ne zaženite, dokler ne vključite dovoda vode. To lahko poškoduje črpalko.
5. Pritisnite nožni ventil, da zmanjšate tlak in omogočite zagon motorja. Preverite, ali voda prosto teče skozi šobo. Zaženite motor po navodilih za uporabo motorja. Pustite, da se motor ogreje.



Slika 13 – Krmilni elementi

6. Obrnite razbremenilni ventil, pri tem pa glejte merilnik tlaka, da nastavite želen tlak (v desno povečate tlak, v levo ga zmanjšate). Ne presegajte nazivnega tlaka stroja. Razbremenilnega ventila ne vrtite s silo ali s ključi ali orodjem. S tem ga boste poškodovali.

Orodje z vodnim curkom	Nazivni tlak, PSI/bar
KJ-2200	2200 / 150
KJ-3100	3000 / 205

Če orodje z vodnim curkom ne ustvari nazivnega tlaka ali deluje neenakomerno:

- Poskrbite, da je pravilno nastavljen plin motorja.
- Poskrbite, da je dovodni ventil popolnoma odprt in da so popolnoma odprti drugi ventili sistema.
- Razbremenilni ventil zavrtite v desno, da povečate tlak. Ne delajte s silo.
- Poskrbite, da je impulzni sistem nastavljen na položaj »Pressure«.
- Impulzni sistem med delovanjem večkrat preklopite med položajema »Pressure« in »Pulse«, da iz sistema odstranite ujet zrak.
- Preverite, ali sistem pušča. Med pregledovanjem bodite previdni, da se izognete telesnim poškodbam. Če opazite puščanje, orodje z vodnim curkom pred popravilom izklopite.
- Izklopite orodje z vodnim curkom. Preverite dovodni filter/podložko filtra in poskrbite, da sta čista.
- Poskrbite, da je na voljo zadosten pretok vode do orodja z vodnim curkom.
- Izklopite orodje z vodnim curkom in zaprite dovodni ventil. Odstranite glavo in očistite odprtine šob z orodjem za čiščenje šob.

- Orodje z vodnim curkom pustite delovati brez nameščene glave, da iz sistema odstranite zrak in smeri. Pred odstranjevanjem ali namestitvijo glave orodje z vodnim curkom izklopite.

7. Postavite se v ustrezen delovni položaj.

- Poskrbite, da lahko nemoteno odpirate in zapirate nožni ventil. Nožnega ventila še ne odprite.
- Poskrbite, da imate dobro ravnotežje in se vam ne bo treba stegovati.
- Vedno morate imeti možnost, da imate na cevi eno roko, da lahko upravljate in podpirate cev.
- Imeti morate dostop do navijalnika cevi.

Takšen položaj med uporabo vam bo pomagal pri obvladovanju cevi orodja z vodnim curkom.




Slika 14 – Pravilen položaj pri uporabi

### Čiščenje odtoka

Ko čistite odtok, se običajno cev spusti v odtok po celotni razdalji, ki jo je treba očistiti, nato pa jo počasi potegnemo nazaj. S tem omogočite, da voda pod visokim tlakom, ki je usmerjena proti stenam odtoka, odstrani obloge.

Sprostite zapiralni zatič na navijalniku cevi. Ko imate najmanj en meter cevi še vedno v odtoku in eno roko na cevi, da lahko upravljate njeno premikanje, pritisnite nožni ventil. Vzvrtno obrnjene šobe na glavi pomagajo potegniti cev v odtok. Cev spustite tako daleč, kolikor znaša razdalja, ki jo morate očistiti. Če se cev ustavi, je naletela na oviro.

Če glava ne more priti mimo ovire, na primer spremembe smeri (sifon, koleno itd.) ali zamašitve:

- sunkovito potiskajte cev,
- cev zavrtite za četrtino ali pol obrata, da jo usmerite proti spremembi smeri odtoka (če ste zavrteli cev, jo po tem, ko pride glava mimo ovire, znova zavrtite nazaj, da preprečite prepogibanje). *Glejite sliko 15.*
- uporabite impulzni način.  (Glejite naslednji razdelek.)
- Uporabite cev za sifon ali cev z manjšim premerom.



Slika 15 – Vrtenje cevi

Ko pridete mimo zamašitve, si vzemite čas, da očistite ta del odtoka, preden nadaljujete. Premaknite se približno meter za zamašitev in počasi vlecite šobo nazaj skozi območje zamašitve. To storite nekajkrat zaporedoma, nato pa se premaknite naprej po odtoku.

Opazujte raven vode v odtoku. Če seže voda previsoko, boste morda morali izklopiti orodje z vodnim curkom in dovoliti, da voda odteče. Čiščenje pri odtoku, polnem vode, je manj učinkovito kot pri praznem odtoku. Orodja z vodnim curkom ne pustite delovati dalj časa, če je nožni ventil zaprt. Ko je nožni ventil zaprt, voda

kroži po črpalki, zato se segreje. To lahko povzroči vklop toplotnega varovala črpalke.

Ko je šoba dosegla želeno razdaljo v odtoku, jo počasi (1 ft / 30 cm na minuto pri močno onesnaženih odtokih) potegnite nazaj skozi odtok. Z eno roko nadzorujete cev, z drugo pa navijajte cev na navijalnik. Ko se glava približuje ustju odtoka, jo opazujte in pazite, da ne pride iz odtoka, ko skozi teče voda. To lahko povzroči opletanje cevi, kar lahko povzroči telesne poškodbe zaradi udarca in tekočine pod visokim tlakom. Cev imejte vedno pod nadzorom. Poiščite oznako na cevi blizu šobe. Sprostite nožni ventil, da zaprete pretok vode.

Izklopite motor po navodilih za uporabo motorja, nato pa pritisnite nožni ventil, da sprostite tlak iz sistema. Sistema nikoli ne puščajte pod tlakom. Po potrebi zamenjajte glavo in čiščenje nadaljujte na enak način. Za celovito čiščenje priporočamo več prehodov skozi odtok.

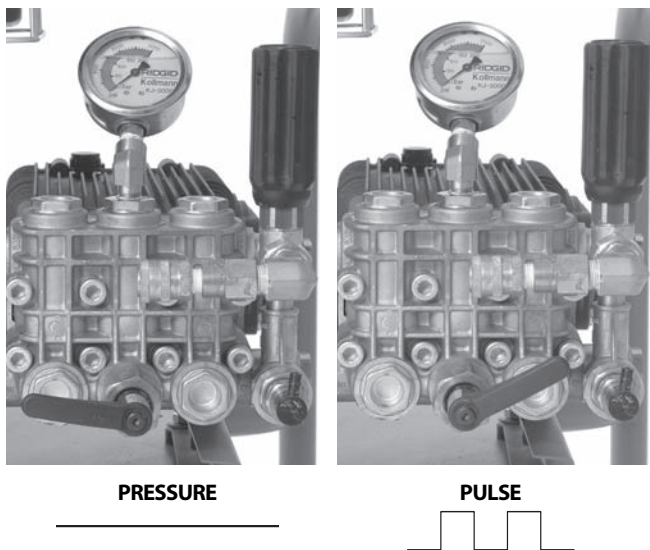
Ko končate, pri izključenem orodju z vodnim curkom odstranite šobo in odprite dovodni ventil, da izperete črpalko ter cev. Če orodje z vodnim curkom uporabljate v hladnem vremenu, iz njega takoj izpustite vodo, da preprečite škodo zaradi zmrzovanja. Glejte *Shranjevanje stroja* za informacije o zaščiti pred zmrzovanjem.

### Uporaba impulznega načina

Kadar manipuliranje cevi ni dovolj za prehod skozi spremembo smeri ali oviro, morate uporabiti impulzni način. Impulzni način povzroči velike spremembe v tlaku vode, ki povzročijo tresenje cevi, kar olajša njeno napredovanje.

1. Ročico impulznega sistema zavrtite v desno v položaj »Pulse«. V impulznem načinu bo na merilniku tlaka prikazan manjši tlak kot običajno. To je običajno.




**Slika 16 – Položaj ročice impulznega sistema**

- Po potrebi cev sunkovito potiskajte in obračajte, da glavi pomagate skozi oviro.
- Ko ste mimo ovire, zavrtite ročico impulznega sistema v levo v položaj »Pressure«. Orodja z vodnim curkom ne puščajte v impulznem načinu dlje, kot je potrebno za prehod skozi oviro. Čezmerna uporaba impulzne funkcije lahko povzroči prezgodnjo obrabo cevi in sistema.

### Uporaba orodja z vodnim curkom kot tlačnega čistilnika

Orodja z vodnim curkom RIDGID je mogoče z dodatnim paketom za tlačno čiščenje uporabljati tudi kot tlačne čistilnike. Uporaba kot tlačni čistilnik je podobna uporabi kot orodje z vodnim curkom, zato upoštevajte enaka navodila, poleg tega pa še naslednje:

- Določite primerno območje dela.
- Zagotovite ustrezen pregled vse opreme.
- Na cev za čistilni drog pritrdite čistilni drog. Vedno uporabite cev z nazivnim tlakom, ki je najmanj enak nazivnemu tlaku orodja z vodnim curkom. Za preprečevanje puščanja uporabite tesnilno sredstvo za navoje.
- Cev pritrdite na izhod orodja z vodnim curkom. Poskrbite, da sta konca cevi trdno povezana, da se ne moreta razstaviti, ko sta pod tlakom.
- Na orodje z vodnim curkom priključite primeren dovod vode.
- Odprite dovodni ventil in stisnite sprožilec čistilnega droga, da omogočite pretok vode in izpustite zrak iz sistema. Motorja nikoli ne zaženite, dokler ne vključite dovoda vode. To lahko poškoduje črpalko.

- Potrdite, da je ročica za impulzni sistem obrnjena v levo v položaj »Pressure«.
- Nastavitve šobe čistilnega droga – z vrtenjem šobe lahko vzorec pranja spreminjate od tankega in ostrega do širokega metlastega curka. Če šobo potegnete naprej (nizek tlak) ali nazaj (visok tlak), lahko nastavite tlak. Za začetek dela poskrbite, da je šoba potegnjena nazaj v visokotlačni položaj.


**Slika 17 – Nastavitev šobe na čistilnem drogu**

- Blokada čistilnega droga – čistilni drog vključuje blokado na zadnji strani sprožilca. Blokado obrnite navzdol, da preprečite vklop sprožilca, ko čistilnega droga ne uporabljate.
- Ko imate drog obrnjen v varno smer, stisnite sprožilec čistilnega droga, da zmanjšate tlak in omogočite zagon motorja. Zaženite motor po navodilih za uporabo motorja. Pustite, da se motor ogreje. Sprožilec sprostite takoj ob zagonu motorja.
- Ko imate drog obrnjen v varno smer, stisnite sprožilec čistilnega droga. Zavrtite razbremenilni ventil, pri tem pa glejte merilnik tlaka, da nastavite zeleni tlak. Ne presegajte nazivnega tlaka stroja. Sprožilec čistilnega droga zdaj sprostite.

### Uporaba tlačnega čistilnika

- Kadar napravo uporabljate kot tlačni čistilnik, čistilni drog primite in usmerjajte z obema rokama, da dosežete večjo stopnjo nadzora. Čistilnega droga nikoli ne usmerjajte v ljudi. Voda pod visokim tlakom lahko prodre skozi kožo in povzroči hude telesne poškodbe. Čistilnega droga nikoli ne usmerjajte v električno opremo ali kable, da zmanjšate tveganje električnega udara.
- Pretok vode upravljajte s prožilnikom. Pri uporabi tlačnega čistilnika bodite previdni. Če držite šobo preblizu površine, jo lahko poškodujete. Preverite majhno in slabo opazno območje, da vidite, ali so nastavitve ustrezne.
- Orodja z vodnim curkom ne pustite delovati dalj časa, če je sprožilec izklopljen. Ko je sprožilec izklopljen, voda kroži po črpalki, zato se segreje. To lahko povzroči vklop toplotnega varovala črpalke.
- Ko je tlačno pranje končano, sprostite sprožilec in izklopite motor po navodilih za uporabo. Sprožilec stisnite, da sprostite tlak iz sistema. Sistema nikoli ne puščajte pod tlakom.



## Sistem za mešanje detergenta

- Po potrebi na izhodno odprtino namestite sistem za mešanje detergenta. Odstranite izhodno cev in pritrdite sistem za mešanje detergenta, tako da je puščica na napravi usmerjena enako kot pretok vode. Za preprečevanje puščanja uporabite tesnilno sredstvo za navoje. Znova namestite izhodno cev.
- Na sistem za mešanje detergenta pritrdite sifonsko cev. Sito cevi položite v posodo z detergentom. Uporabljajte samo detergente, ki so namenjeni za uporabo s tlačnimi čistilniki. Upoštevajte vsa navodila za detergent. Ne pršite vnetljivih tekočin ali strupenih kemikalij. Drugi detergentski, topila, čistila itd. lahko poškodujejo orodje z vodnim curkom ali povzročijo hude telesne poškodbe.
- Med tlačnim pranjem se detergent odmerja samo v nizkotlačnem položaju šobe na čistilnem drogu. Za odmerjanje detergenta potegnite šobo naprej.
- Med delovanjem lahko prilagajate odmerjanje detergenta z vrtenjem puše na sistemu za mešanje detergenta. Vrtenje v levo poveča količino detergenta, vrtenje v desno pa ga zmanjša.
- Ko prenehate uporabljati detergent, odstranite sito iz detergenta, ga postavite v vedro vode in izperite detergent iz sistema.

## Navodila za vzdrževanje

### ⚠ OPOZORILO

**Pred izvajanjem vzdrževanja vedno preklopite stikalo motorja v izključen položaj in odklopite žice svečk, da preprečite nehoten zagon motorja. Pritisnite nožni ventil ali sprožilec na čistilnem drogu, da izpustite ves tlak tekočine iz sistema.**

**Med vzdrževanjem vedno nosite varnostna očala in rokavice, da se zaščitite pred kemikalijami in bakterijami iz odtoka.**

### Čiščenje

Cev po potrebi očistite z vročo milnico in/ali razkužili. Ne dovolite, da voda vdre v motor ali električni sistem. Za čiščenje ne uporabljajte tlačnega čistilnika. Enoto obrišite z mokro krpo.

### Motor

Motor vzdržujte po priloženih navodilih za uporabo.

### Mazanje črpalke

Pred uporabo preverite količino olja črpalke. Orodje z vodnim curkom postavite na vodoravno podlago. Z območja merilne palice obrišite umazanijo in smeti ter odstranite merilno palico, da preverite količino olja. Po potrebi dodajte brezdetergentsko olje SAE 30W. Ne dolijte preveč olja. Znova namestite merilno palico.

Olje črpalke zamenjajte po prvih 50 urah delovanja, nato pa vsakih 500 ur. Ko je črpalka topla zaradi uporabe, odstranite čep iz dna črpalke in izpustite olje v primerno posodo. Čep zamenjajte. Med postopkom preverjanja mora biti v napravi približno 32 oz / 0,9 kg brezdetergentskega olja SAE 30W.

### Mazanje prenosa

Pred uporabo preverite količino olja v prenosu. Orodje z vodnim curkom postavite na vodoravno podlago. Z območja merilne palice obrišite umazanijo in smeti ter odstranite merilno palico, da preverite količino olja. Po potrebi dodajte olje za prenose SAE 90W. Ne dolijte preveč olja. Znova namestite merilno palico.

Olje v prenosu zamenjajte vsakih 500 ur delovanja. Ko je prenos topel zaradi uporabe, odstranite čep iz dna prenosa in izpustite olje v primerno posodo. Čep zamenjajte. Med postopkom preverjanja mora biti v napravi približno 8 oz / 0,2 kg olja za prenose SAE 90W.

### Priprava črpalke na shranjevanje v hladnem vremenu

**OBVESTILO** Če bo orodje z vodnim curkom shranjeno v pogojih, ko temperatura pade pod 32°F / 0°C, ga je treba pravilno pripraviti. Če voda v črpalki zmrzne, jo lahko poškoduje.

Orodje z vodnim curkom lahko na shranjevanje v hladnem vremenu pripravite na dva načina. Prvi je, da odprete vse ventile sistema in da vso vodo odstranite iz sistema s stisnjenim zrakom. To lahko uporabljate tudi za odstranjevanje vode iz cevi.

Drugi način uporablja sredstvo proti zmrzovanju RV (sredstvo proti zmrzovanju brez etilen glikola). V črpalki orodja z vodnim curkom ne uporabljajte sredstva proti zmrzovanju z etilen glikolom. Etilen glikola ni dovoljeno uporabljati v odtočnih sistemih.

- Na dovodni ventil pritrdite 3' / 90 cm dolg kos cevi in odprite ventil.
- Konec cevi postavite v posodo sredstva proti zmrzovanju RV.
- S konca cevi odstranite šobo.
- Zaženite orodje z vodnim curkom, dokler iz konca cevi ne začne uhajati sredstvo proti zmrzovanju.

## Dodatna oprema

### ⚠ OPOZORILO

Da zmanjšate tveganje hudih telesnih poškodb, uporabljajte samo dodatno opremo, ki je zasnovana in priporočena samo za uporabo z orodji z vodnim curkom RIDGID, na primer to, ki je našeta v nadaljevanju. Druga dodatna oprema, ki je primerna za uporabo z drugimi orodji, lahko postane nevarna, če jo uporabljate z orodji z vodnim curkom RIDGID.

## Glave in cevi za napravo KJ-2200

Katalog- ška št.	Model- ska št.	Opis	Notranji premer cevi palcev / mm	Zunanji premer cevi palcev / mm
64772	H-61	Pogonska šoba	$\frac{1}{8}$ " / 3,2 mm NPT	
64777	H-62	Prebojna šoba	Za cev $\frac{1}{4}$ " / 6,4 mm	
64782	H-64	Pregibna šoba		
82842	H-65	Vrtljiva šoba 2200		
64787	H-71	Pogonska šoba	$\frac{1}{4}$ " / 6,4 mm NPT	
64792	H-72	Prebojna šoba	Za cev $\frac{1}{2}$ " / 13 mm	
82852	H-75	Vrtljiva šoba 2200		
47592	H-1425	$\frac{1}{4}$ " x 25' / 6,4 mm x 7,6 m	$\frac{3}{16}$ / 4,8	$\frac{1}{4}$ / 6,4
47597	H-1435	$\frac{1}{4}$ " x 35' / 6,4 mm x 10,7 m	$\frac{3}{16}$ / 4,8	$\frac{1}{4}$ / 6,4
47602	H-1450	$\frac{1}{4}$ " x 50' / 6,4 mm x 15,2 m	Cev za sifone $\frac{1}{4}$ " / 6,4 mm	$\frac{1}{4}$ / 6,4
49272	H-1475	$\frac{1}{4}$ " x 75' / 6,4 mm x 22,9 m	Oranžna	$\frac{1}{4}$ / 6,4
49277	H-1400	$\frac{1}{4}$ " x 100' / 6,4 mm x 30,5 m		$\frac{1}{4}$ / 6,4
64732	H-1415	$\frac{1}{4}$ " x 150' / 6,4 mm x 45,7 m		$\frac{1}{4}$ / 6,4
50002	HL-1	Gibljiivi začetni del, $\frac{1}{4}$ " / 6,4 mm	$\frac{1}{8}$ / 3,2	$\frac{3}{16}$ / 4,8
50007	HL-2	Gibljiivi začetni del, $\frac{1}{2}$ " / 13 mm	$\frac{1}{8}$ / 3,2	$\frac{3}{16}$ / 4,8
47607	H-1250	$\frac{1}{2}$ " x 50' / 13 mm x 15,2 m	$\frac{1}{4}$ / 6,4	$\frac{1}{2}$ / 13
47612	H-1275	$\frac{1}{2}$ " x 75' / 13 mm x 22,9 m	$\frac{1}{4}$ / 6,4	$\frac{1}{2}$ / 13
47617	H-1200	$\frac{1}{2}$ " x 100' / 13 mm x 30,5 m	$\frac{1}{4}$ / 6,4	$\frac{1}{2}$ / 13
51587	H-1211	$\frac{1}{2}$ " x 110' / 13 mm x 33,5 m	Cev s curkom $\frac{1}{2}$ " / 13 mm	$\frac{1}{2}$ / 13
49487	H-1215	$\frac{1}{2}$ " x 150' / 13 mm x 45,7 m	Črna	$\frac{1}{2}$ / 13
51597	H-1220	$\frac{1}{2}$ " x 200' / 13 mm x 61 m		$\frac{1}{2}$ / 13

## Dodatna oprema za orodje z vodnim curkom KJ-2200

Katalog- ška št.	Model- ska št.	Opis
62882	H-5	Mini navijalnik cevi (brez cevi)
64737	H-30	Voziček H-30 z navijalnikom cevi
62877	H-30 WH	Voziček H-30 z navijalnikom cevi in cevjo s curkom 110' / 33,5 m x $\frac{1}{2}$ " / 13 mm
64077	HP-22	Komplet za visokotlačno čiščenje, KJ-2200
64767	HW-22	Drog za čiščenje, KJ-2200
51572	H-1235	Cev za čistilni drog $\frac{1}{2}$ " / 13 mm x 35' / 10,7 m
48157	FV-1	Nožni ventil
66732	HF-4	Cev s hitro spojko
48367	H-25	Komplet za pripravo na zimo
47542	H-21	Orodje za čiščenje šob
67187	H-32	Vakuumski curek

## Glave in cevi za napravo KJ-3100

Kataloška št.	Modelska št.	Opis	Notranji premer cevi palcev / mm	Zunanji premer cevi palcev / mm	
38698	H-101	Pogonska šoba	$\frac{1}{8}$ " / 3,2 mm NPT Za cev $\frac{1}{4}$ " / 6,4 mm		
38713	H-102	Prebojna šoba			
38703	H-104	Pregibna šoba			
38723	H-105	Vrtljiva šoba			
		$\frac{1}{8}$ " / 3,2 mm NPT			
38693	H-111	Pogonska šoba	$\frac{1}{4}$ " / 6,4 mm NPT Za cev $\frac{3}{8}$ " / 9,5 mm		
38708	H-112	Prebojna šoba			
38718	H-1155	Vrtljiva šoba			
		$\frac{1}{4}$ " / 6,4 mm NPT			
16713	RR3000	Šoba Root Ranger			
47592	H-1425	Cev za sifone $\frac{1}{4}$ " / 6,4 mm x 25' / 7,6 m	$\frac{3}{16}$ / 4,8	$\frac{1}{4}$ / 6,4	
47597	H-1435	Cev za sifone $\frac{1}{4}$ " / 6,4 mm x 35' / 10,7 m	Cev za sifone $\frac{1}{4}$ " / 6,4 mm	$\frac{3}{16}$ / 4,8	$\frac{1}{4}$ / 6,4
47602	H-1450	Cev za sifone $\frac{1}{4}$ " / 6,4 mm x 50' / 15,2 m	Oranžna	$\frac{3}{16}$ / 4,8	$\frac{1}{4}$ / 6,4
49272	H-1475	Cev za sifone $\frac{1}{4}$ " / 6,4 mm x 75' / 22,9 m		$\frac{3}{16}$ / 4,8	$\frac{1}{4}$ / 6,4
49277	H-1400	Cev za sifone $\frac{1}{4}$ " / 6,4 mm x 100' / 30,5 m		$\frac{3}{16}$ / 4,8	$\frac{1}{4}$ / 6,4
64732	H-1415	Cev za sifone $\frac{1}{4}$ " / 6,4 mm x 150' / 45,7 m		$\frac{3}{16}$ / 4,8	$\frac{1}{4}$ / 6,4
64827	H-3835	Cev za sifone $\frac{3}{8}$ " / 9,5 mm notranjega premera x 35' / 10,7 m	$\frac{3}{8}$ / 9,5	$\frac{5}{8}$ " / 16	
64832	H-3850	Cev s curkom/pranjem $\frac{3}{8}$ " / 9,5 mm notranjega premera x 50' / 15,2 m	$\frac{3}{8}$ / 9,5	$\frac{5}{8}$ " / 16	
64837	H-3810	Cev s curkom $\frac{3}{8}$ " / 9,5 mm notranjega premera x 100' / 30,5 m	Cev s curkom $\frac{3}{8}$ " / 9,5 mm	$\frac{3}{8}$ / 9,5	$\frac{5}{8}$ " / 16
64842	H-3815	Cev s curkom $\frac{3}{8}$ " / 9,5 mm notranjega premera x 150' / 45,7 m	Črna	$\frac{3}{8}$ / 9,5	$\frac{5}{8}$ " / 16
64847	H-3820	Cev s curkom $\frac{3}{8}$ " / 9,5 mm notranjega premera x 200' / 61 m	$\frac{3}{8}$ / 9,5	$\frac{5}{8}$ " / 16	
64852	H-3825	Cev s curkom $\frac{3}{8}$ " / 9,5 mm notranjega premera x 250' / 76,2 m	$\frac{3}{8}$ / 9,5	$\frac{5}{8}$ " / 16	
64857	H-3830	Cev s curkom $\frac{3}{8}$ " / 9,5 mm notranjega premera x 300' / 91,4 m	$\frac{3}{8}$ / 9,5	$\frac{5}{8}$ " / 16	

## Dodatna oprema orodja z vodnim curkom KJ-3100

Kataloška št.	Modelska št.	Opis
62882	H-5	Mini navijalnik cevi
64862	H-38	Navijalnik cevi (za KJ-3100)
64902	H-38 WH	Navijalnik cevi s cevjo 200' / 61 m x $\frac{3}{8}$ " / 9,5 mm notranjega premera (za KJ-3100)
64797	HW-30	Drog za čiščenje, KJ-3100
48367	H-25	Komplet za pripravo na zimo
48157	FV-1	Nožni ventil
66732	HF-4	Cev za hitro priključitev (od navijalnika do nožnega ventila)
47542	H-21	Orodje za čiščenje šob
67187	H-32	Vakuumski curek

## Shranjevanje naprave

**⚠ OPOZORILO** Orodje z vodnim curkom hranite v dobro prezračenenem območju, ki je zaščiteno pred dežjem in snegom. Napravo imejte v zaklenjenem prostoru zunaj dosega otrok in oseb, ki niso seznanjene z orodji z vodnim curkom. Ta stroj lahko v rokah neusposobljenih uporabnikov povzroči hude telesne poškodbe. Za informacije o shranjevanju v hladnem vremenu *glejte razdelek Vzdrževanje*. Za posebne informacije o shranjevanju motorja *glejte* navodila za uporabo motorja.

## Servisiranje in popravilo

**⚠ OPOZORILO**

**Zaradi neustreznega servisiranja ali popravila lahko stroj postane nevaren za obratovanje.**

»Navodila za vzdrževanje« zajemajo večino potreb servisiranja te naprave. Morebitne težave, ki jih ta razdelek ne obravnava, naj ureja izključno pooblaščen serviser družbe RIDGID.

Orodje je treba odnesti v neodvisni pooblaščen servisni center RIDGID ali vrniti v tovarno.

Za informacije o najbližjem neodvisnem pooblaščenem servisnem centru RIDGID ali v primeru kakršnih koli vprašanj o servisiranju ali popravilu:

- Obrnite se na krajevnega distributerja RIDGID.
- Obiščite [www.RIDGID.com](http://www.RIDGID.com) ali [www.RIDGID.eu](http://www.RIDGID.eu), da najdete krajevno zastopstvo RIDGID.
- Obrnite se na servisni oddelek RIDGID na naslovu [rtctechservices@emerson.com](mailto:rtctechservices@emerson.com), v ZDA in Kanadi pa lahko tudi pokličete (800) 519-3456.

## Odstranjevanje

Deli orodja z vodnim curkom vsebujejo dragocene materiale, ki so primerni za recikliranje. Podjetja, ki so specializirana za recikliranje, lahko najdete tudi v svoji bližini. Komponente zavrzite skladno z vsemi zadevnimi predpisi. Več informacij poiščite pri komunalni upravi v svojem kraju.



**Za države EU:** Električne opreme ne odvrzite med gospodinjstve odpadke!

Skladno z evropsko Direktivo 2002/96/ES za odstranjevanje odpadne električne in elektronske opreme ter njeno uvedbo v nacionalno zakonodajo je treba električno opremo, ki ni več uporabna, zbirati ločeno in odstraniti skladno z okoljevarstvenimi predpisi.

## Odpravljanje napak

TEŽAVA	VZROK	REŠITEV
Orodje z vodnim curkom deluje, vendar tvori malo ali nič tlaka.	Nezadosten dovod vode.	<p>Poskrbite, da je pipa dovoda vode <b>odprta</b>.</p> <p>Poskrbite, da je dovodni ventil orodja z vodnim curkom <b>odprt</b>.</p> <p>Poskrbite, da je dovodna cev za vodo prehodna in da ni prepognjena ali zmečkana.</p>
Orodje z vodnim curkom se ob zagonu ne nastavi na polni delovni tlak.	<p>V sistemu je zrak.</p> <p>Potisne šobe glave so zamašene.</p>	<p>Odstranite šobo s cevi orodja z vodnim curkom in zaženite orodje z vodnim curkom, da izperete zrak/smeti iz sistema.</p> <p>Odstranite glavo in očistite odprtine šob z orodjem za čiščenje šob.</p>
Tlačni merilnik orodja z vodnim curkom niha od 500 do polnega delovnega tlaka.	<p>Potisne šobe glave so zamašene.</p> <p>V sistemu je ujeta umazanija ali zrak.</p>	<p>Odstranite glavo. Uporabite orodje za čiščenje šob, da očistite odprtine šob: izberite primerno velikost žice in jo v celoti potisnite skozi vsako odprtino potisne šobe, da odstranite smeti.</p> <p>Odstranite šobo in vstavite cev s curkom v odtok. Zaženite orodje z vodnim curkom, da izperete ujete zrak ali smeti.</p>



# Mašina za ispiranje vodom pod pritiskom

## KJ-2200/KJ-3100 Mašine za ispiranje vodom pod pritiskom



KJ-3100

KJ-2200

### **⚠ UPOZORENJE!**

Pažljivo pročitajte uputstva pre korišćenja ovog alata. Nepoznavanje i nepridržavanje uputstava iz ovog priručnika može imati za posledicu strujni udar, požar i/ili teške telesne povrede.

### **KJ-2200/KJ-3100 mašine za ispiranje vodom pod pritiskom**

Zapišite ispod serijski broj i sačuvajte serijski broj proizvoda koji se nalazi na natpisnoj pločici.

Serijski  
br.

## Sadržaj

<b>Formular za zapisivanje serijskog broja uređaja</b> .....	387
<b>Sigurnosni simboli</b> .....	389
<b>Opšti sigurnosni propisi</b> .....	389
Sigurnost radnog područja.....	389
Zaštita od struje.....	389
Lična zaštita.....	389
Upotreba i briga o alatu.....	390
Servisiranje .....	390
<b>Sigurnosna upozorenja za mašinu za ispiranje vodom pod pritiskom</b> .....	390
<b>Opis, tehnički podaci i standardna oprema</b> .....	391
Opis .....	391
Tehnički podaci.....	392
Ikone.....	392
Standardna oprema .....	392
<b>Mašinski sklop</b> .....	392
Motorno ulje .....	392
Ulje za pumpu/kućište zupčastog mehanizma.....	392
KJ-2200 Transportna kolica.....	393
KJ-3100 Sklop ručki .....	393
<b>Pregled pre upotrebe</b> .....	393
<b>Podešavanje mašine i radnog područja</b> .....	395
Napajanje vodom .....	396
Priprema odvoda.....	397
Postavljanje creva.....	397
TABELA ASORTIMANA CREVA MAŠINE ZA ISPIRANJE .....	398
TABELA ASORTIMANA BRIZGALJKI MAŠINE ZA ISPIRANJE .....	398
<b>Uputstva za rad</b> .....	399
Ispiranje odvoda .....	401
Korišćenje režima pulziranja.....	402
Korišćenje mašine za ispiranje vodom pod pritiskom kao perača visokog pritiska .....	402
Rukovanje peračem visokog pritiska .....	403
Ubrizgač deterdženta.....	403
<b>Uputstva za održavanje</b> .....	403
Čišćenje .....	403
Motor.....	404
Podmazivanje pumpe .....	404
Podmazivanje kućišta zupčastog prenosa .....	404
Priprema pumpe za hladne vremenske uslove .....	404
<b>Dodatna oprema</b> .....	404
<b>Lociranje i uklanjanje kvarova</b> .....	406
<b>Skladištenje mašine</b> .....	406
<b>Servisiranje i popravke</b> .....	406
<b>Odstranjivanje</b> .....	406
<b>Garancija u toku radnog veka</b> .....	Na poleđini korice

\*Prevod originalnog priručnika

## Sigurnosni simboli

Sigurnosni simboli i reči upozorenja u ovom priručniku za rukovaoca i na proizvodu se koriste da bi nam ukazali na važne sigurnosne informacije. Ovo poglavlje je namenjeno boljem razumevanju tih signalnih reči i simbola.



Ovo je simbol sigurnosnog upozorenja. On se koristi da bi vas upozorio na potencijalne opasnosti povređivanja pri nesrećnim slučajevima. Da biste sprečili telesne povrede i smrtni ishod, pridržavajte se svih sigurnosnih poruka koje prate ovaj simbol.



**OPASNOST** OPASNOST ukazuje na opasnu situaciju koja, ako se ne izbegne, može prouzrokovati teške telesne povrede ili smrt.



**UPOZORENJE** UPOZORENJE označava opasnu situaciju koja, ako se ne izbegne, može prouzrokovati smrt ili teške telesne povrede.



**PAŽNJA** PAŽNJA označava opasnu situaciju koja, ako se ne izbegne, može prouzrokovati lakše ili srednje teške telesne povrede.



**NAPOMENA** NAPOMENA ukazuje na informacije koje se odnose na zaštitu imovine.



Ovaj znak vas upozorava da pre korišćenja opreme pažljivo pročitate priručnik za korisnika da bi smanjili rizik od povreda. Priručnik za korisnika sadrži važne informacije o sigurnosti i ispravnom radu opreme.



Ovaj simbol upozorava na obaveznu upotrebu zaštitne maske ili zaštitnih naočara sa bočnim štitnicima prilikom manipulacije ili korišćenja ove opreme, da bi se izbegla opasnost od povreda očiju.



Ovaj simbol ukazuje na rizik od dejstva vode pod visokim pritiskom usmerene na delove tela što može dovesti do probijanja kože ili povreda usled ubrizgavanja vode.



Ovaj simbol ukazuje na rizik od dejstva creva sličnog "biču" što može dovesti do teških povreda ili ubrizgavanja vode.



Ovaj simbol ukazuje na rizik od udisanja ugljen monoksida što može prouzrokovati prouzrokovati mučninu, nesvesticu ili smrt.



Ovaj simbol ukazuje na rizik od požara ili eksplozije benzina ili drugih izvora što može prouzrokovati opekotine ili druge povrede.

## Opšti sigurnosni propisi

### ⚠ UPOZORENJE

**Pročitajte i razumite sva uputstva. Nepridržavanje svih uputstava nabrojanih ispod može imati za posledicu električni udar, požar i/ili tešku povredu.**

### SAČUVAJTE OVA UPUTSTVA!

#### Sigurnost radnog područja

- **Neka vam radna površina bude čista i dobro osvetljena.** Na radnim stolovima koji su u neredu i loše osvetljenim površinama se dešavaju nezgode.
- **Nemojte raditi sa električnim alatima u eksplozivnim atmosferama, kao što su one u kojima postoje zapaljive tečnosti, gasovi ili prašina.** Uređaji na struju mogu da varniče i tako mogu da zapale prašinu ili isparenja.
- **Držite posmatrača, decu i posetioce na udaljenosti u toku rada sa električnim alatom.** Ometanje vam može odvratiti pažnju i dovesti do gubitka kontrole.

#### Zaštita od struje

- **Izbegavajte telesni kontakt sa uzemljenim površinama, kao što su cevi, hladnjaci i rashladni uređaji.** Ako je vaše telo uzemljeno postoji povećana opasnost od električnog udara.

#### Lična zaštita

- **Budite na oprezu, pratite šta radite i koristite zdrav razum kada upravljate uređajem na struju. Alat nemojte upotrebljavati ako ste umorni ili ako ste konzumirali drogu, alkohol ili lekove.** Trenutak nepažnje pri korišćenju električnih alata može imati za posledicu tešku telesnu povredu.
- **Budite prikladno obučeni. Nemojte nositi neučvršćenu odeću ili nakit. Vežite dugu kosu. Držite vašu kosu, odeću ili rukavice što dalje od pokretnih delova.** Labava odeća, nakit ili duga kosa može biti uhvaćena u pokretne delove.
- **Nemojte se suviše naginjati nad alatom. Proverite da li stojite na čvrstoj podlozi i u svakom trenutku zadržite ravnotežu.** Pogodno uporište i balans omogućava bolju kontrolu nad alatom u neočekivanim situacijama.

- **Upotrebljavajte sigurnosnu opremu. Uvek nosite zaštitu za oči.** U odgovarajućim uslovima morate koristiti masku za zaštitu od prašine, neklizajuće zaštitne cipele, zaštitnu kacigu ili štitnike za uši jer ćete tako smanjiti rizik od telesnih povreda.

### Upotreba i briga o alatu

- **Ne upotrebljavajte alat na silu. Upotrebljavajte odgovarajući alat za određenu namenu.** Odgovarajući električni alat će posao obaviti bolje i bezbednije brzinom za koju je konstruisan.
- **Ne koristite električni alat ako on ne može da se uključi i isključi prekidačem.** Svaki alat koji se ne može kontrolisati pomoću prekidača je opasan i potrebno ga je popraviti.
- **Ostavite alate koje ne upotrebljavate van domašaja dece i drugih neobučениh osoba.** Alat je opasan u rukama neobučениh korisnika.
- **Održavajte uređaj sa pažnjom. Održavajte rezne alate oštrim i čistim.** Kod pravilno održavanih alata sa oštrim reznim ivicama manje je verovatno da će doći do poskakivanja i lakše ih je kontrolisati.
- **Proverite da alat nije pogrešno namešten ili da nisu pogrešno spojeni pokretni delovi, da delovi nisu polomljeni kao i sve druge razloge koji mogu da utiču na rad alata. U slučaju oštećenja, servisirajte alat pre korišćenja.** Mnoge nezgode su izazvane alatom koji se ne održava dobro.
- **Koristite isključivo dodatnu opremu koju preporučuje proizvođač za vaš model.** Pribor koji je možda pogodan za jedan alat može postati opasan kada se koristi sa nekim drugim alatom.

### Servisiranje

- **Servisiranje alata mora biti obavljeno samo od strane kvalifikovanog osoblja za popravke.** Servisiranje ili održavanje obavljeno od strane nekvalifikovanog osoblja bi moglo da prouzrokuje rizik od povreda.
- **Kada servisirate alat koristite samo originalne rezervne delove. Pratite uputstva data u poglavlju Održavanje ovog priručnika.** Korišćenje neodobrenih delova ili ne pridržavanje uputstava za održavanje, može stvoriti rizik od električnog udara ili povreda.

## Sigurnosna upozorenja za mašinu za ispiranje vodom pod pritiskom

### ⚠ UPOZORENJE

Ovo poglavlje sadrži važne sigurnosne informacije koje su specifične za ovaj alat.

**Pažljivo pročitajte ove mere predostrožnosti pre upotrebe mašine za čišćenje odvoda da bi smanjili rizik od strujnog udara, požara ili drugih ozbiljnih telesnih povreda.**

### SAČUVAJTE SVA UPOZORENJA I UPUTSTVA ZA BUDUĆE KORIŠĆENJE!

Držite ovaj priručnik u blizini mašine da bi ga rukovalac mogao upotrebiti.

- **Nikada ne radite sa mašinom za ispiranje kada je kraj creva izvan odvoda.** Crevo može "ošinuti", prouzrokujući upečatljive povrede i mlaz vode može prodreti u kožu i prouzrokovati ozbiljnu povredu.
- **Voda pod visokim pritiskom se može ubrizgati pod kožu prouzrokujući ozbiljnu povredu uključujući i amputaciju.** Ne usmeravajte mlaz vode direktno na ljude ili životinje.
- **Nemojte raditi sa mašinom za ispiranje iznad proračunatog pritiska ili iznad 140°F / 60°C (ulazna temperatura vode).** Time se povećava rizik od povreda, uključujući opekotine i oštećenja na mašini za ispiranje.
- **Jedna osoba mora kontrolisati i proces ispiranja i nužni ventil. Uvek koristite nužni ventil.** Ako crevo ispirača izađe izvan odvoda, rukovalac mora biti sposoban da isključi protok vode i tako smanji rizik da ga crevo mašine za ispiranje ne "ošine" i dođe do ubrizgavanja vode pod visokim pritiskom, prouzrokujući teške povrede.
- **Uvek upotrebljavajte odgovarajuću ličnu zaštitnu opremu dok rukujete i koristite opremu za čišćenje odvoda.** Odvod može sadržati hemikalije, bakterije i ostale materije koje mogu biti otrovne, zarazne i izazvati opekotine ili druge probleme. Odgovarajuća oprema za ličnu zaštitu uvek sadrži zaštitne naočare i rukavice, i može takođe sadržati takvu opremu kao što su lateks ili gumene rukavice, štitnici za lice, zaštitne naočare, zaštitna odeća, zaštitne maske i obuća sa okovanim vrhom.
- **Održavajte adekvatnu higijenu. Upotrebite vruću vodu sa sapunom da operete ruke ili ostale delove tela izložene sadržajima odvoda nakon primene ili korišćenja opreme za čišćenje odvoda.** Nemojte jesti ili pušiti dok radite ili rukujete sa opremom za čišćenje odvoda. Time ćete sprečiti zagađivanje otrovnim ili zaraznim materijama.



- **Nemojte prskati sa toksičnim ili zapaljivim tečnostima.** Time ćete smanjiti rizik od opekotina, požara, eksplozije ili drugih povreda.
- **Benzin i njegova isparenja su visoko zapaljiva i eksplozivna.** Pogledajte Priručnik za motor da bi se upoznali sa merama opreza i tako smanjili rizik od opekotina, eksplozija i ozbiljnih povreda dok rukujete i koristite benzin.
- **Motori stvaraju ugljen monoksid, bezbojni otrovni gas bez mirisa. Udisanje ugljen monoksida može prouzrokovati mučninu, nesvesticu ili smrt.** Nemojte startovati mašinu i raditi sa njom u zatvorenom prostoru, čak i ako su vrata i prozori otvoreni. Uvek radite na otvorenom prostoru.
- **Vrele površine mogu prouzrokovati opekotine i požar.** Držite delove tela i zapaljivi materijal dalje od vrelih površina.
- **Pročitajte i shvatite ovaj priručnik, priručnik za motor i upozorenja i uputstva za kompletnu opremu koju treba da koristite sa ovim alatom pre rada sa njim.** Nepridržavanje svih upozorenja i uputstava može dovesti do oštećenja imovine i/ili ozbiljnih povreda.

EZ deklaracija o usaglašenosti (890-011-320.10) će biti obezbeđena uz ovo uputstvo kao zasebna brošura na zahtev.

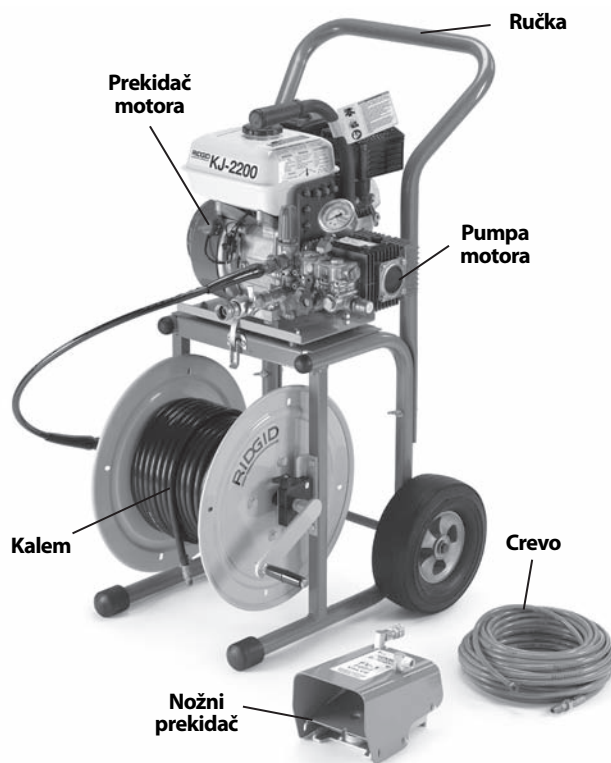
Ako imate pitanja o ovom proizvodu firme RIDGID®:

- Obratite se svom lokalnom RIDGID distributeru.
- Posetite [www.RIDGID.com](http://www.RIDGID.com) ili [www.RIDGID.eu](http://www.RIDGID.eu) da pronađete lokalni kontakt firme RIDGID.
- Kontaktirajte sa Tehničkim servisnim sektorom firme RIDGID na [rtctechservices@emerson.com](mailto:rtctechservices@emerson.com), ili u Americi i Kanadi nazovite (800) 519-3456.

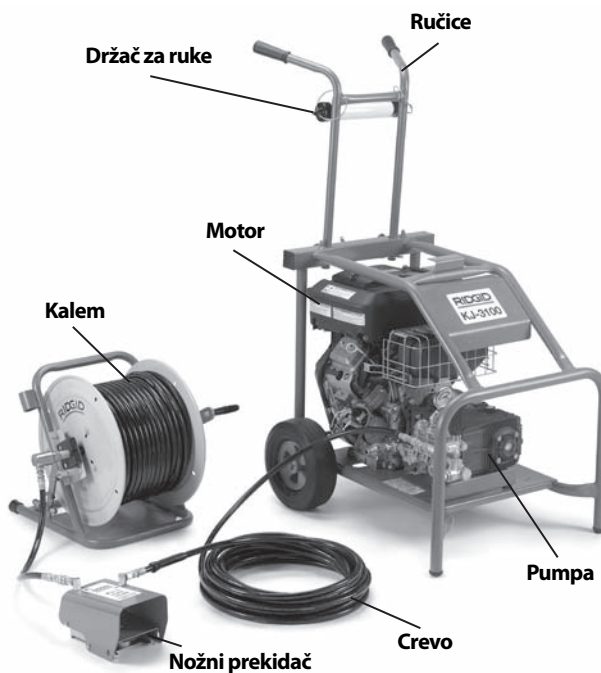
## Opis, tehnički podaci i standardna oprema

### Opis

The RIDGID® Motorne mašine za ispiranje vodom pod pritiskom su prenosne mašine za ispiranje vodom pod visokim pritiskom konstruisane za korišćenje u kombinaciji pritiska i protoka vode u cilju čišćenja masti, mulja, naslaga i njihovog izbacivanja iz odvoda. Veoma fleksibilno crevo male težine se kreće unutar odvoda suprotno od mlaza na brizgaljki ispiraća, i kada se izvlači pročišćava vod ispirajući dalje naslage. Kada je uključeno aktiviranje pulziranja, teške krivine i "klopke" se lakše savladavaju. Sve mašine su opremljene benzinskim motorom koji pokreće trotaktnu klipnu pumpu.



Slika 1 – KJ-2200 Mašina za ispiranje vodom pod pritiskom



Slika 2 – KJ-3100 Mašina za ispiranje vodom pod pritiskom



Slika 3 – Serijski broj mašine

Serijski broj mašine se nalazi na ramu. Poslednje 4 cifre označavaju mesec i godinu proizvodnje. (08 = mesec, 10 = godina).

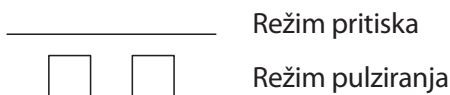
### Tehnički podaci

Model mašine za ispiranje	Motor KS	Pritisak PSI / bar
KJ-2200	6.5 / 6,5	2200 / 150
KJ-3100	16	3000 / 205

Količina protoka GPM / litar	Dimenzija odvodnog voda inch / mm	Težina (sa/bez kalema creva) lbs / kg
2.4 / 9	1 1/4 - 6 / 32 - 152	65 / 30
5.5 / 20	2 - 10 / 50 - 250	262 / 119

### Ikone



### Standardna oprema

Sve mašine za ispiranje vodom pod pritiskom se isporučuju sa

- Odgovarajućim brizgaljkama ispirača
- Alatom za čišćenje brizgaljki
- FV-1 nužnim ventilom
- Priručnikom za rukovanje motorom

Pogledajte RIDGID katalog za specifičnu opremu koja se isporučuje i koja svaka za sebe ima kataloški broj.

**NAPOMENA** Ova mašina je napravljena za čišćenje odvoda. Ako se propisno koristi ona neće prouzrokovati oštećenje odvoda kada su oni u dobrom stanju i propisno oblikovani, konstruisani i održavani. Ako je odvod u lošem stanju ili nije propisno oblikovan, konstruisan ili

održavan, postupak čišćenja odvoda možda neće biti efikasan ili može da prouzrokuje oštećenje odvoda. Najbolji način za utvrđivanje stanja odvoda pre čišćenja je korišćenje vizuelnog pregleda kamerom. Nepropropisno korišćenje mašine za ispiranje vodom pod visokim pritiskom može oštetiti ispirač i odvod. Ova mašina ne može da očisti sva zapušenja.

## Mašinski sklop

### ⚠ UPOZORENJE

**Da biste sprečili ozbiljne povrede u toku korišćenja i sprečili oštećenje mašine, pridržavajte se sledećih postupaka za njeno pravilno sastavljanje.**

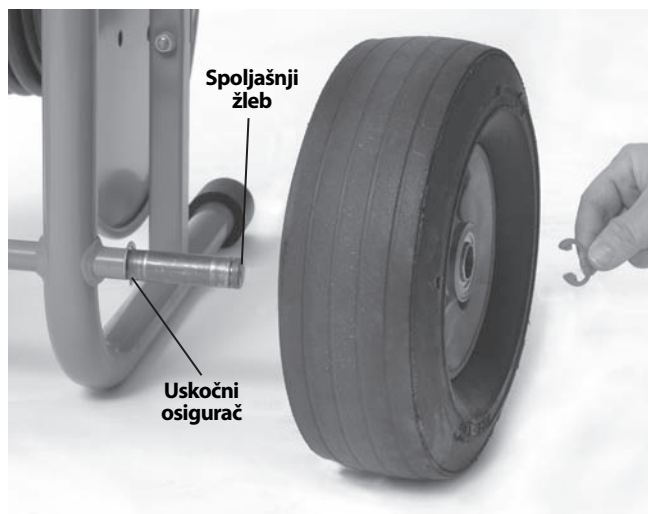
### Motorno ulje

**NAPOMENA** Ispirač je isporučen bez ulja u motoru. Rad motora bez ulja će prouzrokovati oštećenje motora. Nalijte ulje pre početka rada. Pogledajte dobijeni Priručnik za rukovanje motorom da bi se upoznali sa specifičnim informacijama o dodavanju ulja i njegovom izboru.

### Ulje za pumpu/kućište zupčastog mehanizma

**Pumpa:** Skinite čep na vrhu pumpe i postavite poklopac merne šipke/oduške. Rad sa ispiračem kada je na pumpi čep može dovesti do oštećenja zaptivača pumpe. Proverite nivo ulja kao što je objašnjeno u *poglavlju Uputstva za održavanje*.

**Kućište zupčastog prenosa (samo KJ-3100):** Zamenite čep na vrhu pumpe poklopcem merne šipke/oduške. Rad sa ispiračem kada je na pumpi čep može dovesti do oštećenja zaptivača kućišta zupčastog prenosa. Proverite nivo ulja kao što je objašnjeno u *poglavlju Uputstva za održavanje*.



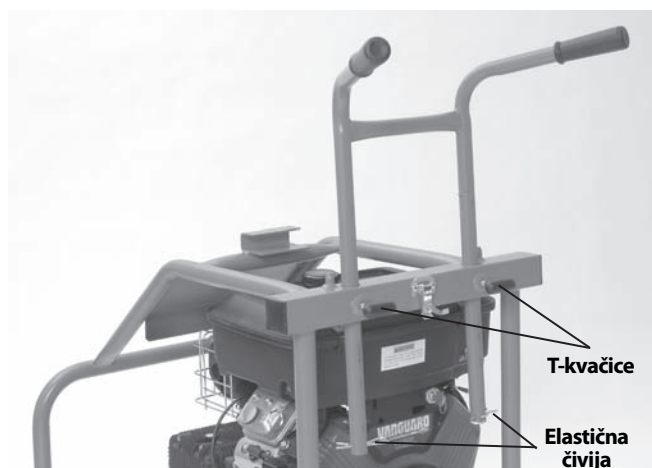
Slika 4 – Sklop KJ-2200

### KJ-2200 Transportna kolica

1. Ugradite uskočni osigurač u unutrašnji žleb na oba kraju osovine. (Pogledajte sliku 4.)
2. Navucite točkove preko oba kraja osovine.
3. Ugradite uskočni osigurač u spoljašnji žleb na oba kraju osovine da bi pričvrstili točkove.
4. Upotrebite isporučene zavrtnje za kolica i zavrnite navrtke za pričvršćivanje ručke na ram kolica.
5. Podignite sklop motora/pumpe na kolica, tako da rupe baznoj ploči budu poravnate sa osovinicama na vrhu kolica. Upotrebite bravice na kolicima za pričvršćivanje motora/pumpe. Vodite računa da je sklop bezbedno pričvršćen.

### KJ-3100 Sklop ručki

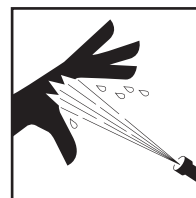
1. Umetnite sklop ručki kroz dve rupe u zadnjem poprečnom profilu rama. (Pogledajte sliku 5.)
2. Umetnite elastične čivije kroz rupe na dnu sklopa ručki da bi sprečili njihovo izvlačenje.
3. Zavrtnite T-kvačice u zadnji poprečni profil. Podesite ručke po želji i zategnite kvačice da osigurate ručke.



Slika 5 – KJ-3100 Sklop ručki

### Pregled pre upotrebe

#### ⚠ UPOZORENJE



**Pre svake upotrebe dobro proverite vašu mašinu za ispiranje vodom pod visokim pritiskom i otklonite sve probleme, da biste smanjili rizik od ozbiljnih povreda usled dejstva vode pod visokim pritiskom ili drugih uzroka i tako sprečili oštećenje ispirača.**

**Uvek nosite sigurnosne naočare, rukavice i drugu odgovarajuću zaštitnu opremu kada vršite pregled ispirača da bi se zaštitili od hemikalija i bakterija na opremi.**

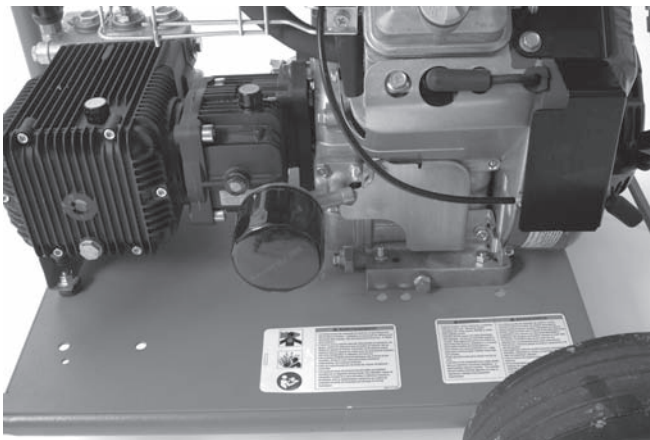
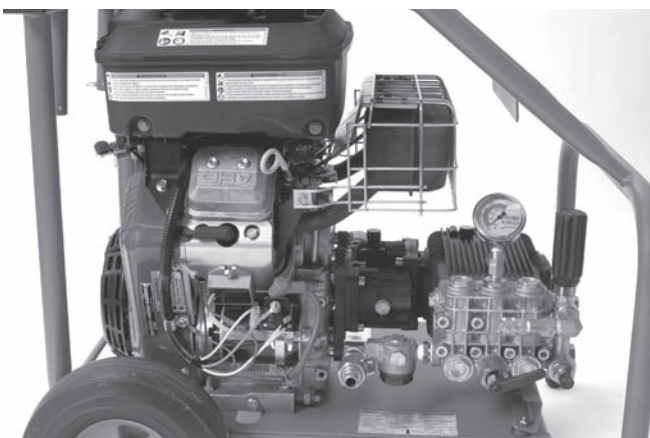
1. Vodite računa da je prekidač/ključ na položaju OFF (isključeno).
2. U potpunosti očistite ulje, mazivo ili prljavštinu sa opreme, uključujući ručice i upravljačke elemente. Ovo olakšava pregled i pomaže u zaštiti mašine ili komandi od klizanja u vašim rukama.
3. Proverite mašinu za ispiranje vodom pod visokim pritiskom i opremu na:
  - Pravilno sastavljanje i kompletnost.
  - Slomljene, pohabane, nedostajuće, pogrešno podešene, spojene delove ili labave delove.
  - Prisutnost i čitljivost upozoravajućih nalepnica. (Pogledajte sliku 6.)
  - Bilo koje drugo stanje koje može uticati na bezbednost i sprečiti normalan rad.

Ako utvrdite bilo kakve probleme, ne upotrebljavajte mašinu za ispiranje vodom pod visokim pritiskom dok ih ne otklonite.

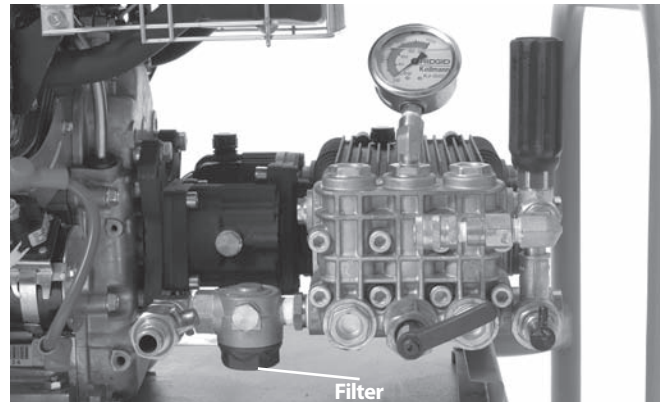


Slika 6A – KJ-2200 Upozoravajuće nalepnice




**Slika 6B – KJ-2200 Upozoravajuće nalepnice**

**Slika 6C – KJ-3100 Upozoravajuće nalepnice**

**Slika 6D – KJ-3100 Upozoravajuće nalepnice**

- Očistite filter ulazne vode/filter perača. Odvratite poklopac na dnu filtera ulazne vode zbog čišćenja. Prljavština i talog mogu smanjiti protok vode kroz pumpu i prouzrokovati probleme u performansama.


**Slika 7 – Ulazni filter/filter perača**

- Proverite rupice brizgaljki ispirača na oštećenje ili blokadu. Blokirane rupice treba očistiti sa alatom za čišćenje brizgaljki. Vodite računa da ne povećate rupice brizgaljki u toku čišćenja. Oštećene brizgaljke ili brizgaljke sa uvećanim rupicama mogu umanjiti performanse ispirača i u tom slučaju ih treba zameniti.
- Proverite creva, priključke i cevne nastavke na habanje i oštećenja. Ako postoji bilo kakvo uvijanje, naprsline, prelomi ili pohabanost na spoljašnjem omotaču creva ili neka druga oštećenja, nemojte koristiti crevo. Oštećena creva mogu eksplodirati ili propustiti vodu pod visokim pritiskom i tako prouzrokovati ozbiljne povrede. Zamenska creva treba da budu u klasi predviđenoj, za pritisak ispirača, ili višoj.
- Proveravajte i održavajte motor po upustvima datim u Priručniku za rukovanje.
- Proverite nivo goriva u motoru. Za KJ-3100, odvojite rezu crevnog kalema i okrenite crevni kalem unapred sve dok njegov ostatak na ramu ne omogući pristup poklopcu rezervoara benzina motora *Slika 8*. Ako je potrebno, dospite bezolovni benzin. Za detalje pogledajte Priručnik za rukovanje. Budite oprezni kada rukujete benzinom. Dosipanje vršite u dobro provetrenom prostoru. Nemojte prepuniti rezervoar i nemojte prosipati gorivo. Vodite računa da je poklopac rezervoara bezbedno zatvoren.





## Napajanje vodom

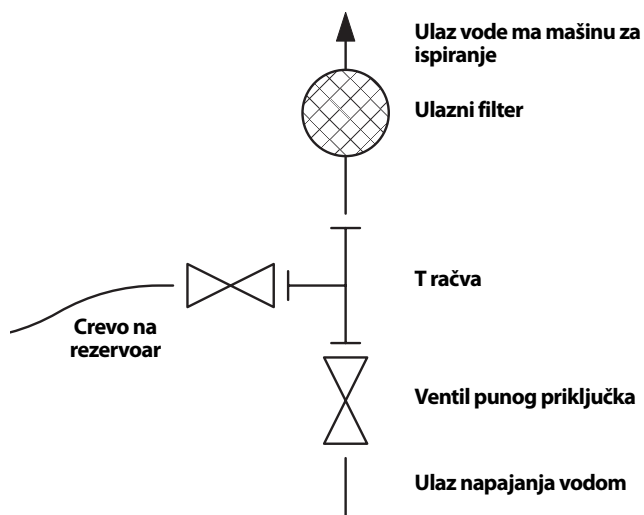
Proverite da li je protok vode dovoljan za ispirač. Spojite crevo sa izvora vode na ispirač. Koristite crevo najvećeg prečnika, najmanje moguće dužine.  $\frac{3}{4}$ " / 19 mm UP crevo je minimalna preporučena veličina. Treba koristiti neki preventivni uređaj povratnog protoka u saglasnosti sa svim lokalnim propisima i uredbama. Uključite vodu na njenom izvoru i izmerite vreme koje je potrebno za punjenje praznog bureta od 5 galona / 18,9 litar. Pogledajte sledeću tabelu za podatke o maksimalnom vremenu punjenja bureta za svaku mašinu za ispiranje.

Mašina za ispiranje	Nominalno GPM / litar	Maksimum 5 galona / 18,9 litar Vreme punjenja bureta
KJ-2200	2.4 / 9	125 sekundi
KJ-3100	5.5 / 20	55 sekundi

Nedovoljan protok vode sprečava ispirač da dostigne zahtevani pritisak i može oštetiti pumpu. Proverite vodu u buretu na nečistoću i otpatke. Blato i otpaci u vodovodu mogu prouzrokovati prekomerno habanje pumpe, začepljenje filtera ispirača i smanjenja performansi. Nemojte koristiti vodu iz ribnjaka, jezera i drugih izvora koji mogu biti zagađeni.

U slučaju nedovoljnog protoka vode, moguće rešenje problema uključuje korišćenje cevni nastavaka koji omogućuju da se nekoliko creva za napajanje priključe na ispirač ili korišćenje rezervoara.

Ako se koristi rezervoar, postavite T račvu tako da je njen puni deo i ventil sa unakrsnim otvorima na ulazu vode za ispirač, kao što je prikazano na slici 9. Priključite  $\frac{3}{4}$ " / 19 mm crevo koje nije duže od 6 feet / 1,8 m na ventil na izlazu T račve, i priključite napajanje vode na račvu. Postavite kraj creva u rezervoar ili ga priključite na izlaz rezervoara. Ukupna dužina creva rezervoara ne bi trebalo da bude veća od 5" / 12,7 cm iznad ulaza vode za ispirač ili ispirač neće moći da crpi vodu iz rezervoara.



**Slika 9 – Povezivanje napajanja vodom kada se koristi rezervoar**

Napunite rezervoar pre početka rada sa mašinom za ispiranje. U toku startovanja ispirača zatvorite ventil rezervoara. Čim se ispirač pokrene, otvorite ventil rezervoara. nadgledajte nivo vode u rezervoaru, i ako je potrebno zaustavite mašinu za ispiranje da bi dopunili rezervoar. Nemojte dozvoliti da nivo vode padne ispod crevnog kraja.

Vrela voda se može koristiti za poboljšano čišćenje. Nemojte koristiti vodu čija je temperatura iznad 140°F / 60°C – ovo može prouzrokovati izloženost pume toplotnom preopterećenju. Kada koristite vrelu vodu nosite odgovarajuću zaštitnu opremu da bi smanjili rizik od opekotina.

Kada koristite ispirač na niskim temperaturama, pridržavajte se mera opreza da bi sprečili zamrzavanje vode u pumpi. Ovo može oštetiti pumpu.

Vodite računa da je ulazni napojni ventil na ispiraču zatvoren i pričvrstite napojno crevo na ispirač.

## Priprema odvoda

Ako radite preko šahta, zaštitne rešetke ili drugih velikih pristupnih mesta, upotrebite cev i cevne nastavke da napravite vođicu za crevo ispirača od otvora odvoda do radnog mesta. Time ćete sprečiti uvijanje creva na mestu pristupa i zaštititi crevo od oštećenja.



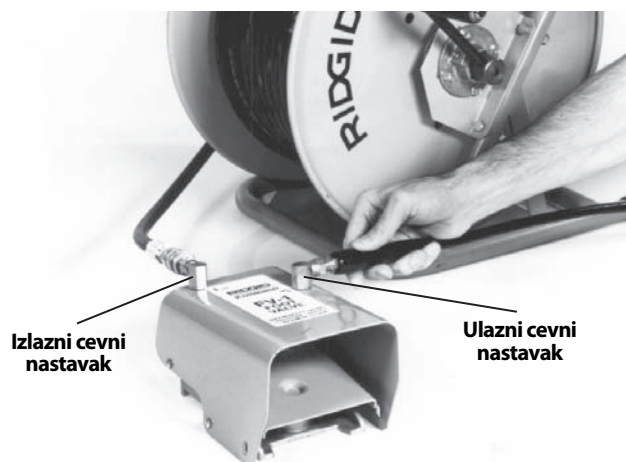
Slika 10 – Produžetak otvora odvoda do mesta rada

## Postavljanje creva

Vodite računa kada vodite creva mašine za ispiranje. Vođenje creva preko neravnih površina, oštih ivica, ukrštanje creva, itd. može oštetiti oblogu creva, posebno kada se ispirač koristi u režimu pulziranja. Držanje creva na kalemu pomaže da se oštećenje smanji na minimum.

1. Izaberite odgovarajuću veličinu creva za odvod koji treba da se očisti. Ovde ne postoje opšte preporuke za spajanje dva creva zajedno za čišćenje odvoda. Veza između dva creva je manje fleksibilna i može sprečiti prolaz kroz cevne nastavke *pogledajte Tabelu asortimana creva za mašinu za ispiranje*.
2. Ako je potrebno, odvojite kalem sa sklopa motora/pumpe. Postavite kalem sa crevom na udaljenosti manjoj od 3 stope / 90 cm od otvora odvoda. nemojte dozvoliti da prevelika veličina creva bude izvan odvoda da bi sprečili oštećenje creva. Ako kalem za crevo ne može da se postavi na razdaljini do 3 stope / 90 cm od otvora odvoda, približite otvor odvoda kalemu tako što ćete upotrebiti sličnu veličinu cevi i cevne nastavke.

3. Sprovedite crevo od ispirača do ulaznog cevnog nastavka na nužnom ventilu. Koristite teflonsku traku za zaptivanje priključka. Postavite nužni ventil da bude pristupačan. Morate biti sposobni da upravljate i crevom ispirača i nužnim ventilom.
4. Priključite crevo iz ispirača na izlazni cevni nastavak na nužnom ventilu.

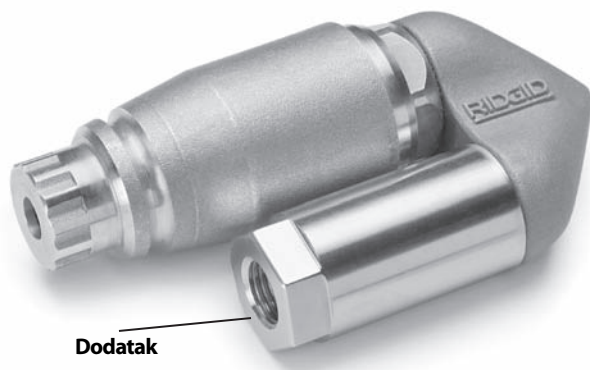


Slika 11 – Priključak nužnog ventila

5. Označite crevo ispirača blizu kraja da bi znali kada je brizgaljka blizu otvora odvoda kada se izvlači. Ovo će sprečiti da brizgaljka izađe iz odvoda i dođe do efekta "biča". rastojanje zavisi od konfiguracije otvora, ali ne treba da bude manje od 4' / 1,2 m.
6. Uklonite brizgaljku sa kraja creva ispirača i postavite kraj creva u odvod. Otvorite ulazni napojni ventil da izbacite vazduh i otpatke iz ispirača i creva. Omogućite da voda protiče najmanje 2 minuta.
7. Zatvorite ulazni napojni ventil.
8. Izaberite brizgaljku. Izaberite brizgaljku odgovarajuće veličine za ispirač koji koristite. Korišćenje neodgovarajuće brizgaljke može prouzrokovati loše performanse (nizak radni pritisak ili mali protok) ili može oštetiti mašinu za ispiranje prekomerno visokim pritiskom. Vodite računa da su rupice brizgaljke čiste i prohodne. *Pogledajte Tabelu asortimana brizgaljki mašine za ispiranje*

Ako koristite RR3000 brizgaljku za odvođe veće od 6" / 152 mm i do 9" / 229 mm, mora se koristiti produžetak. Za odvođe od 6" / 152 mm i manje, produžetak nije potreban. Ako je potrebno čvrsto rukom zategnite produžetak na RR3000 – nemojte previše zategnuti. Korišćenje RR3000 brizgaljke u vodu većem od 6" i do 9" / 152 mm i do 229 mm bez produžetka, ili u vodovima većim od 9" / 229 mm može omogućiti brizgaljki da promeni smer u odvodu, izađe i usmeri se na rukovaoca i prouzrokuje ozbiljne povrede (slika 12).

9. Čvrsto rukom zategnite brizgaljku na kraj creva – nemojte previše zategnuti. Preterano zatezanje brizgaljke može oštetiti brizgaljku i prouzrokovati loš učinak.
10. Umetnite crevo sa pričvršćenom brizgaljkom u odvod i otvorite ulazni napojni ventil. Potvrdite da je protok vode kroz brizgaljku slobodan i zatvorite ulazni napojni ventil.



Slika 12 – RR3000 brizgaljka sa nastavkom

**TABELA ASORTIMANA CREVA MAŠINE ZA ISPIRANJE**

	Primene	Veličina cevi inch / mm	Veličina brizgaljke inch / mm	Ve4ličina creva (UP) inch / mm	Veličina creva (SP) inch / mm
KJ-2200	Lavaboi, pisoari i mali vodovi.	1 1/4 - 2 / 32 - 50	1/8 / 3,2 NPT	1/8 / 3,2	3/16 / 4,8
	Kuhinjski lavaboi, kade za pranje i slaganje veša, čišćenje i odzračivanje.	2 - 3 / 50 - 76	1/8 / 3,2 NPT	3/16 / 4,8	1/4 / 6,4
	Kišni i spratni odvodi, sporedni vodovi i nagomilano mazivo.	3 - 4 / 76 - 101	1/4 / 6,4 NPT	1/4 / 6,4	1/2 / 13
	Sporedni i glavni vodovi.	4 - 6 / 101 - 152	1/4 / 6,4 NPT	1/4 / 6,4	1/2 / 13
KJ-3100	Cevni tornjevi, otvori za čišćenje i ventilaciju.	2 - 3 / 50 - 76	1/8 / 3,2 NPT	3/16 / 4,8	1/4 / 6,4
	Spratni odvodi, sporedni vodovi i nagomilano mazivo.	3 - 4 / 76 - 101	1/4 / 6,4 NPT	3/8 / 9,5	5/8 / 16
	Sporedni i glavni vodovi.	4 - 10 / 101 - 250	1/4 / 6,4 NPT	3/8 / 9,5	5/8 / 16

**TABELA ASORTIMANA BRIZGALJKI MAŠINE ZA ISPIRANJE**

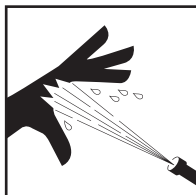
	Veličina navoja inch / mm	1/8 / 3,2 NPT	1/4 / 6,4 NPT
	Veličina creva (unutrašnji prečnik) inch / mm	1/8 i 3/16 / 3,2 i 4,8	1/4 / 6,4
	Veličina creva (spoljašnji prečnik) inch / mm	3/16 i 1/4 / 4,8 i 6,4	1/2 / 13
KJ-2200	Karakteristika trostrukog povratnog pritiska ispiranja za maksimalni domet ispiranja na velikim rastojanjima. Koristite ovu brizgaljku za najčešće primene.	<b>H-61</b>	<b>H-71</b>
	Koristi trostruki povratni pritisak ispiranja plus jedan usmeren napred za probijanje čvrstih blokada od masti ili blata. Mlaz usmeren napred pravi male rupe u blokadi za brizgaljku koja ga prati. Evo je takođe veoma efikasno kada probijate ledenu blokadu.	<b>H-62</b>	<b>H-72</b>
	Korišćenje spuštene glave pomaže u savlađivanju teških pojasa. Ova brizgaljka ima trostruki povratni pritisak mlaza.	<b>H-64</b>	
	Koristite upredenu brizgaljku za čišćenje masti i sličnih blokada u odvodima.	<b>H-65</b>	<b>H-75</b>



		Veličina navoja inch / mm	1/8 / 3,2 NPT	1/4 / 6,4 NPT
		Veličina creva (unutrašnji prečnik) inch / mm	3/16 / 4,8	3/8 / 9,5
		Veličina creva (spoljašnji prečnik) inch / mm	1/4 / 6,4	5/8 / 16
KJ-3100	Karakteristika četiri (4) povratna pritiska ispiranja za maksimalni domet ispiranja na velikim rastojanjima. Koristite ovu brizgaljku za najčešće primene.		H-101	H-111
	Koristi trostruki povratni pritisak ispiranja plus jedan usmeren napred za probijanje čvrstih blokada od masti ili blata. Mlaz usmeren napred pravi male rupe u blokadi za brizgaljku koja ga prati. Evo je takođe veoma efikasno kada probijate ledenu blokadu.		H-102	H-112
	Korišćenje spuštene glave pomaže u savlađivanju teških pojava. Ova brizgaljka ima četiri (4) povratna pritiska mlaza.		H-104	
	Korišćenje upredene brizgaljke pomaže pri čišćenju masti i sličnih blokada u odvodima.		H-105	H-115
	Koristi se za čišćenje korenja i drugih tipova blokada. NAPOMENA! Koristite produžetak da stabilizujete RR3000 kada čistite odvođe prečnika 8" / 200 mm.			RR3000

## Uputstva za rad

### ⚠ UPOZORENJE



**Uvek nosite zaštitne naočare zbog zaštite očiju od prljavštine i drugih stranih tela. Uvek nosite odgovarajuću ličnu zaštitnu opremu za radnu okolinu.**

**Nikada ne radite sa mašinom za ispiranje kada je kraj creva izvan odvoda. Crevo može "ošinuti", prouzrokujući upečatljive povrede i mlaz vode može prodreti u kožu i prouzrokovati ozbiljnu povredu.**

**Tečnost pod visokim pritiskom se može ubrizgati pod kožu prouzrokujući ozbiljnu povredu uključujući i amputaciju. Ne usmeravajte mlaz vode direktno na ljude ili životinje.**

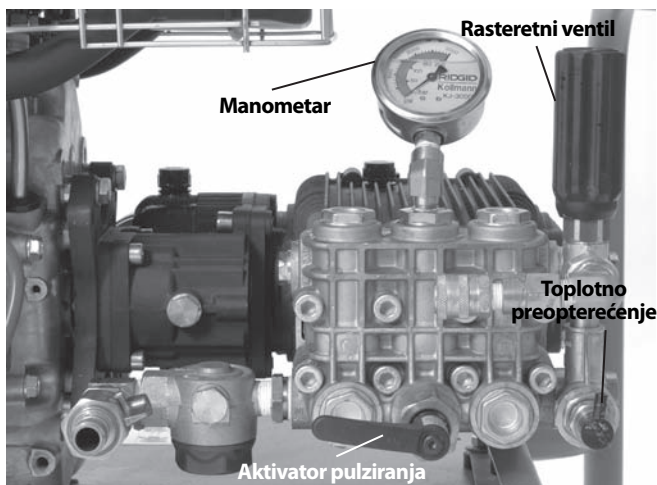
**Nemojte raditi sa mašinom za ispiranje iznad proračunatog pritiska ili iznad 140°F / 60°C (ulazna temperatura vode). Time se povećava rizik od povrede, uključujući opekotine i oštećenja na mašini za ispiranje.**

**Jedna osoba mora kontrolisati i proces ispiranja i nužni ventil. Uvek koristite nužni ventil. Ako crevo ispirača izađe izvan odvoda, rukovalac mora biti sposoban da isključi protok vode i tako smanji rizik da ga crevo mašine za ispiranje ne "ošine" i dođe do ubrizgavanja vode pod visokim pritiskom, prouzrokujući teške povrede.**

**Uvek upotrebljavajte odgovarajuću ličnu zaštitnu opremu dok rukujete i koristite opremu za čišćenje odvoda. Odvod može sadržati hemikalije, bakterije i ostale materije koje mogu biti otrovne, zarazne i izazvati opekotine ili druge probleme. Odgovarajuća oprema za ličnu zaštitu uvek sadrži zaštitne naočare i rukavice, i može takođe sadržati takvu opremu kao što su lateks ili gumene rukavice, štitnici za lice, zaštitne naočare, zaštitna odeća, zaštitne maske i obuća sa okovanim vrhom.**

**Sledite uputstva za rukovanje da biste smanjili rizik od povreda usled udara creva, ubrizgavanja tečnosti pod visokim pritiskom, ugljen monoksida i drugih uzroka.**

1. Vodite računa da mašina i radna okolina budu propisno namešteni i da je radno područje bez posmatrača i drugih stvari koje odvrćaju pažnju. Ako se mašina za ispiranje nalazi daleko od mesta korišćenja, druga osoba treba da se nalazi kod mašine za ispiranje.
2. Umetnite crevo sa pričvršćenom brizgaljkom u odvod najmanje tri stope tako da kraj creva ne može da izađe iz odvoda i da se vrti okolo kada je mašina pokrenuta.
3. Vodite računa da je ručica za aktiviranje pulziranja okrenuta u smeru suprotnom od smera kretanja kazaljke na časovniku u položaj "Pritisak" (slika 16).
4. Otvorite ulazni napojni ventil. Nikada nemojte pokrenuti mašinu dok nije uključeno snabdevanje vodom. Ovo može oštetiti pumpu.
5. Pritisnite nužni ventil da bi smanjili pritisak i omogućili mašini da se startuje. Uverite se da voda slobodno protiče kroz brizgaljku. Poštujući uputstva za startovanje data u Priručniku za motor, pokrenite motor. Omogućite motoru da se zagreje.


**Slika 13 - Upravljački elementi**

- Okrenite rasteretni ventil pratite stanje na manometru da bi podesili željeni pritisak (u smeru kretanja kazaljke na časovniku da bi povećali pritisak, u smeru suprotnom od smeru kretanja kazaljke na časovniku da bi smanjili pritisak). Nemojte premašiti predviđeni pritisak za mašinu u toku korišćenja. Nemojte siliti rasteretni ventil ili koristiti ključeve ili alate za okretanje. Time ćete oštetiti rasteretni ventil.

Mašina za ispiranje	Nominalni pritisak, PSI / bar
KJ-2200	2200 / 150
KJ-3100	3000 / 205

Ako mašina za ispiranje na stvara propisani pritisak ili je on nestalan:

- Vodite računa da je leptir gasa motora pravilno podešen.
- Vodite računa da je ulazni napojni ventil potpuno otvoren i da su ostali ventili u sistemu snabdevanja potpuno otvoreni.
- Okrenite rasteretni ventil u smeru kretanja kazaljke na časovniku da bi povećali pritisak. Nemojte upotrebiti silu.
- Vodite računa da je aktivator pulziranja na položaju "Pritisak".
- Okrećite aktivator pulziranja između položaja "Pritisak" i "Pulziranje" nekoliko puta sve dok jedinica ne izbaci sav vazduh iz sistema.
- Proverite sistem na curenje. Budite oprezni u toku pregleda da bi sprečili povrede. Ako ustanovite curenje, isključite mašinu za ispiranje pre popravke.
- Isključite mašinu za ispiranje. Proverite ulazni filter/filter perača i uverite se da su bez otpadaka.

- Vodite računa da je za ispirać obezbeđen adekvatni protok vode.
- Isključite ispirać i ulazni napojni ventil. Uklonite brizgaljku i očistite rupice sa alatom za čišćenje brizgaljke.
- Pokrenite mašinu za ispiranje bez brizgaljke na crevu da bi uklonili vazduh i otpatke iz sistema. Isključite mašinu za ispiranje pre uklanjanja ili pričvršćivanja brizgaljke.

#### 7. Pretpostavite koja je to ispravna pozicija za rad.

- Vodite računa da možete vršiti uključivanje/ isključivanje nužnog ventila. Nemojte još pritiskati nužni ventil.
- Budite sigurni da imate dobar balans i da se ne naginjete nad alatom.
- Morate biti sposobni da svo vreme držite jednu ruku na crevu da bi njime upravljali i davali mu oslonac.
- Morate biti sposobni da dohvatite kalem da bi namotali crevo.

Takav radni položaj će pomoći da sačuvate kontrolu nad crevom ispiraća.



**Slika 14 – Odgovarajući radni položaj**

## Ispiranje odvoda

Kada ispirate odvod, uobičajena procedura je da ubacite crevo u odvod do kraja rastojanja koje treba da se očisti i polako ga izvlačite. To će omogućiti da se voda pod visokim pritiskom direktno usmeri na zidove odvoda u cilju uklanjanja nagomilanih nečistoća.

Oslobodite zapornu osovinicu na kalemu creva. Kada je najmanje tri stope creva u odvodu i jedna ruka na crevu da bi kontrolisala njegovo kretanje, pritisnite nužni ventil. Povratni pritisak ispiranja na brizgaljki pomaže pri izvlačenju creva iz odvoda. Ubacite crevo u odvod onoliko koliko je potrebno za njegovo čišćenje. Ako se crevo zaustavi znači da se sudarilo sa nekim oblikom začepjenja.

Ako brizgaljka ne može da prođe kroz začepljenje, dolazi do promene pravca (klopka, okretanje, itd.) ili blokade.

- Primenite oštar pritisak na crevo.
- Okrećite crevo četvrt do pola obrta da odredite položaj creva u odnosu na promenu pravca (ako se crevo rotira, kada je u začepljenju, okrenite crevo unazad da bi sprečili zapetljavanje) *pogledajte sliku 15.*
- Korišćenje režima pulziranja  (pogledajte sledeće poglavlje).
- Upotrebite crevo za zamke ili crevo manjeg prečnika.



**Slika 15 – Zakretanje creva**

Kada prođete blokadu, zadržite se neko vreme da očistite sekciju odvoda pre nego što se pomerite unapred. Pomerite se nekoliko stopa od područja u kome je bilo začepljenje i polako povlačite brizgaljku unazad kroz područje začepjenja. Ovo učinite nekoliko puta i zatim nastavite kretanje dalje kroz odvod.

Posmatrajte nivo vode u odvodu. Ako je nivo vode suviše visok, možda je potrebno da isključite mašinu za ispiranje i omogućite vodi da otekne pre nastavka rada sa mašinom. Ispiranje kada je vod pun vode je manje efikasan nago kada je vod prazan. Nemojte dozvoliti da mašina za ispiranje radi duže vreme sa isključenim nužnim ventilom. Kada je nužni ventil isključen, voda kruži kroz pumpu i dolazi do zagrevanja vode. To može izazvati izloženost pume toplotnom preopterećenju.

Kada je brizgaljka na željenom rastojanju u odvodu, polako (1 stopu / 30 cm u minuti za teško zaprljane odvođe) izvlačite brizgaljku iz odvoda. Jednom rukom kontrolišite crevo a drugom namotavajte crevo na kalem. Posmatrajte da bi uočili kada brizgaljka dođe blizu otvora odvoda tako da ne izađe izvan odvoda dok voda protiče. Izlazak brizgaljke može da prouzrokuje da

crevo deluje kao bič prouzrokujući teške povrede usled dejstva vode pod visokim pritiskom. Uvek kontrolišite crevo. Uočite oznaku na crevu blizu brizgaljke. Otpustite nužni ventil da bi isključili protok vode.

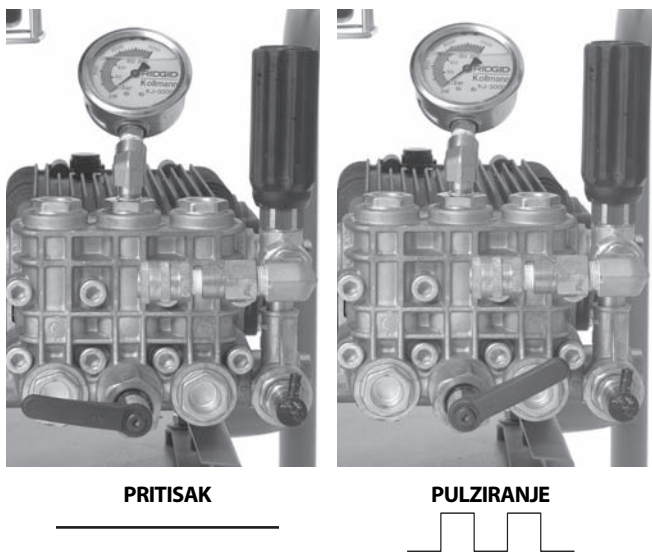
Isključite motor kao što je opisano u Priručniku za motor i pritisnite nužni ventil da bi oslobodili pritisak iz sistema. Nikada nemojte dozvoliti da sistem ostane pod pritiskom. Ako je potrebno, brizgaljku alat i nastavite sa čišćenjem sledeći gore opisane postupke. Preporučuje se nekoliko prolaza kroz liniju da bi se čišćenje kompletiralo.

Kada završite i kada je mašina za ispiranje isključena, uklonite brizgaljku i otvorite ulazni napojni ventil da bi isprali pumpu i crevo. Ako koristite mašinu za ispiranje u hladnim vremenski uslovima, odmah ispraznite vodu iz sistema da bi sprečili oštećenja usled smrzavanja. Pogledajte *Skladištenje mašine* za informacije o zaštiti od smrzavanja.

### Korišćenje režima pulziranja

Kada manipulacija crevom nije dovoljna za prolazak kroz začepljenje promenom smera, treba upotrebiti režim pulziranja. U režimu pulziranja stvaraju se velike razlike u pritisku vode što prouzrokuje vibriranje creva, što poboljšava napredovanje creva.

1. Okrenite ručicu aktivatora pulziranja u pravcu kretanja kazaljke na časovniku na položaj "Pulziranje". U režimu pulziranja, manometar će očitavati manji pritisak od punog. To je uobičajeno.



Slika 16 – Položaj ručice aktivatora pulziranja

2. Ako je potrebno, primenite oštar pritisak na crevo i okrećite ga da bi pomogli u prolasku brizgaljke kroz začepljenje.
3. Kada prođete kroz začepljenje, okrenite ručicu aktivatora pulziranja u smeru suprotnom od smera kretanja kazaljke na časovniku na položaj "Pritisak". Nemojte raditi sa mašinom za ispiranje u režimu pulziranja duže nego što je potrebno za prolazak kroz začepljenje. Prekomerno korišćenje funkcije pulziranja može prouzrokovati prerano habanje creva i sistema.

### Korišćenje mašine za ispiranje vodom pod pritiskom kao perača visokog pritiska

RIDGID mašine za ispiranje vodom pod pritiskom mogu takođe da se koriste i kao perači visokog pritiska sa dodatnim paketom za pranje pod pritiskom. Korišćenje perača visokog pritiska je slično korišćenju mašine za ispiranje i ova uputstva treba da se primene u vezi sa sledećim:

1. Locirajte odgovarajuće radno područje.
2. Vodite računa da je sva oprema ispravno pregledana.
3. Pričvrstite štap za pranje na crevo. Uvek koristite crevo za nominalni pritisak koji je najmanje visok kao i nominalni pritisak za crevo ispiraća. Upotrebite zaptivno sredstvo za navoje da bi sprečili curenje.
4. Pričvrstite crevo na izlaz mašine za ispiranje. Vodite računa da je kraj creva bezbedno priključen da bi se sprečilo njegovo svlačenje pod pritiskom.
5. Priključite neko odgovarajuće napajanje vodom, kao što je ranije prodiskutovano, na mašinu za ispiranje.
6. Otvorite ulazni napojni ventil i stisnite okidač na štapi za pranje da bi omogućili protok vode i izbacili vazduh iz sistema. Nikada nemojte pokrenuti mašinu dok nije uključeno snabdevanje vodom. Ovo može oštetiti pumpu.
7. Vodite računa da je ručica za aktiviranje pulziranja okrenuta u smeru suprotnom od smera kretanja kazaljke na časovniku u položaj "Pritisak".
8. Podešavanje brizgaljke štapa za pranje – okretanjem brizgaljke, može se podesiti oblik mlaza vode od finog strujanja do široke lepeze rasprskavanja. Povlačenjem brizgaljke unapred (nizak pritisak) i unazad (visok pritisak), može se podesiti pritisak. Vodite računa da se brizgaljka povuče unazad na položaj visokog pritiska na početku rada.





Slika 17 – Podešavanje brizgaljke na štapu za pranje

9. Blokada štapa za pranje – štap za pranje sadrži blokadu pozadi okidača. Prebacite na blokadu da bi sprečili upotrebu okidača kada štap za pranje nije u upotrebi.
10. Kada štap usmerite u sigurnom pravci, stisnite okidač na štapu da bi smanjili pritisak i omogućili startovanje motora. Poštujte uputstva za startovanje data u Priručniku za motor, pokrenite motor. Omogućite motoru da se zagreje. Otpustite okidač odmah nakon startovanja motora.
11. Kada štap usmerite u sigurnom pravci, stisnite okidač na štapu za pranje. Okrenite rasteretni ventil pratite stanje na manometru da bi podesili željeni pritisak. Nemojte premašiti predviđeni pritisak za mašinu. Otpustite okidač na štapu za pranje.

### Rukovanje peraćem visokog pritiska

1. Kada koristite perać visokog pritiska upotrebite obe ruke za držanje i usmeravanje štapa za pranje kako bi imali bolju kontrolu. Nikada ne usmeravajte štap za pranje na ljude. Tečnost pod visokim pritiskom se može ubrizgati pod kožu prouzrokujući ozbiljnu povredu. Nikada ne usmeravajte štap za pranje na električnu opremu ili kablovske snopove da bi smanjili rizik od električnog udara.
2. Okidačem regulišite protok vode. Vodite računa kada koristite perać pod visokim pritiskom. Držanje brizgaljke suviše blizu površine koja se pere je može oštetiti. Testirajte malu, neupadljivu površinu da bi ustanovili željeno radno podešavanje.
3. Nemojte dozvoliti da mašina za ispiranje radi duže vreme sa isključenim okidačem. Kada je okidač isključen, voda kruži kroz pumpu i to može prouzrokovati zagrevanja vode. To može izazvati izloženost pume toplotnom preopterećenju.
4. Kada je pranje pod pritiskom završeno, otpustite okidač i isključite motor po instrukcijama u Priručniku za motor. Stisnite okidač da bi oslobodili pritisak iz sistema. Nikada nemojte dozvoliti da sistem ostane pod pritiskom.

### Ubrizgač deterdženta

1. Ako je potrebno, pričvrstite ubrizgač deterdženta na izlazni priključak. Uklonite izlazno crevo i pričvrstite ubrizgač deterdženta tako da strelica na jedinici pokazuje isti pravac kao i protok vode. Upotrebite zaptivno sredstvo za navoje da bi sprečili curenje. Dotegnite izlazno crevo.
2. Pričvrstite crevo sifona na ubrizgač deterdženta. Postavite kraj creva sa mrežicom u posudu sa deterdžentom. Koristite samo deterdžente koji su napravljeni za korišćenje u peraćima visokog pritiska. Poštujte sva uputstva u vezi deterdženta. Nemojte prskati sa zapaljivim tečnostima ili toksičnim hemikalijama. Drugi deterdženti, rastvori, sredstva za čišćenje, itd. mogu oštetiti mašinu za ispiranje i prouzrokovati ozbiljne povrede.
3. Kada perete pod pritiskom, deterdžent izlazi samo kada je brizgaljka na štapu za pranje u položaju niskog pritiska. Povucite brizgaljku unapred na položaj niskog pritiska da bi oslobodili deterdžent.
4. U toku rada, stepen primene deterdženta se može podesiti okretanjem rukavca na ubrizgaču deterdženta. Okretanje u smeru suprotnom od smera kretanja kazaljke na časovniku povećava količinu deterdženta, okretanje u smeru kretanja kazaljke na časovniku je smanjuje.
5. Kada je primena deterdženta završena, uklonite mrežicu sa posude za deterdžent, stavite je u posudu sa čistom vodom i isperite sistem od deterdženta.

### Uputstva za održavanje

#### ⚠ UPOZORENJE

**Pre obavljanja radova na održavanju, prekidač motora treba da bude na OFF položaju i kablovi svećice treba da budu odvojeni da bi se sprečilo nenamerno pokretanje. Pritisnite nužni ventil ili okidač na štapu da bi ispustili tečnost pod pritiskom iz sistema.**

**Uvek nosite sigurnosne naočare i rukavice kada radite na poslovima održavanja da bi se zaštili od hemikalija i bakterija iz odvoda.**

#### Čišćenje

Crevo treba očistiti kada je to potrebno vrelom sapunastom vodom i/ili dezinfekcionim sredstvom. Nemojte dozvoliti da voda uđe u motor ili električni sistem. Nemojte obavljati čišćenje pranjem pod pritiskom. Obrišite uređaj mokrom krpom.

## Motor

Održavajte motor po uputstvima datim u Priručniku za motor koji je isporučen sa uređajem.

## Podmazivanje pumpe

Proverite nivo ulja u pumpi pre korišćenja. Postavite mašinu za ispiranje na ravnu površinu. Obrišite nečistoću i otpatke iz područja merne šipke i izvucite mernu šipku – proverite nivo ulja. Ako je potrebno, dodajte SAE 30W nedeterdžentno ulje. Nemojte prepuniti. Vratite mernu šipku.

Zamenite ulje u pumpi nakon prvih 50 radnih sati i nakon toga na svakih 500 radnih sati. Kada je pumpa zagrejana, uklonite čep na dnu pumpe i ispusite ulje u odgovarajuću posudu. Ponovo postavite čep. Napunite sa približno 32 oz / 0,9 kg SAE 30W nedeterdžentnog ulja koristeći postupak provere.

## Podmazivanje kućišta zupčastog prenosa

Proverite nivo ulja u kućištu zupčastog prenosa pre korišćenja. Postavite mašinu za ispiranje na ravnu površinu. Obrišite nečistoću i otpatke iz područja merne šipke i izvucite mernu šipku – proverite nivo ulja. Ako je potrebno, dodajte SAE 90W ulja za zupčanike. Nemojte prepuniti. Vratite mernu šipku.

Zamenite ulje u kućištu zupčastog prenosa na svakih 500 radnih sati. Kada je kućište zupčastog prenosa zagrejano, uklonite čep na dnu kućišta zupčastog prenosa i ispusite ulje u odgovarajuću posudu. Ponovo postavite čep. Napunite sa približno 8 oz / 0,2 kg SAE 90W ulja za zupčanike koristeći postupak provere.

## Priprema pumpe za hladne vremenske uslove

**NAPOMENA** Ako će mašina za ispiranje biti uskladištena kada je temperatura blizu ili ispod 32°F / 0°C, mašina za ispiranje mora biti odgovarajuće pripremljena. Ako se voda zamrzne u pumpi, to je može oštetiti.

Postoje dve metode pripreme mašine za ispiranje za skladištenje pri hladnim vremenskim uslovima. Prvi je da se otvore svi ventili u sistemu i upotrebi komprimovani vazduh za izbacivanje vode iz sistema. Ovo se takođe može koristiti i za uklanjanje vode iz creva.

Drugi metod je korišćenje RV antifriz (ne etilen glikol antifriz). Nemojte koristiti etilen glikol antifriz u pumpi mašine za ispiranje. Etilen glikol ne može da se koristi u sistemima za drenažu.

1. Pričvrstite 3' / 90 cm deo creva na ulaz napojnog ventila i otvorite ventil.
2. Postavite kraj creva sa u posudu sa RV antifrizom.
3. Skinite brizgaljku sa kraja creva.
4. Startujte mašinu za ispiranje i neka radi sve dok antifriz ne poteče na kraju creva.

## Dodatna oprema

### ⚠ UPOZORENJE

**Dabismanjilirizikodteškepovrede, upotrebljavajte samo dodatnu opremu posebno konstruisanu i preporučenu za korišćenje sa RIDGID mašinama za ispiranje vodom pod pritiskom, kao što je ova dole navedena. Druga dodatna oprema pogodna za korišćenje sa drugim alatima može biti opasna pri korišćenju sa RIDGID mašinama za ispiranje vodom pod pritiskom.**

## KJ-2200 Brizgaljke i creva mašine za ispiranje

Kataloški br.	Model br.	Opis	U.P. creva inch / mm	S.P. creva inch / mm
64772	H-61	Propulzivna brizgaljka	$1/8''$ / 3,2 mm NPT	
64777	H-62	Prodorna brizgaljka	$1/4''$ / 6,4 mm crevo	
64782	H-64	Brizgaljka sa spušenom glavom		
82842	H-65	Okretna brizgaljka 2200		
64787	H-71	Propulzivna brizgaljka	$1/4''$ / 6,4 mm NPT	
64792	H-72	Prodorna brizgaljka	$1/2''$ / 13 mm crevo	
82852	H-75	Okretna brizgaljka 2200		
47592	H-1425	$1/4''$ x 25' / 6,4 mm x 7,6 m	$3/16$ / 4,8	$1/4$ / 6,4
47597	H-1435	$1/4''$ x 35' / 6,4 mm x 10,7 m	$3/16$ / 4,8	$1/4$ / 6,4
47602	H-1450	$1/4''$ x 50' / 6,4 mm x 15,2 m	$3/16$ / 4,8	$1/4$ / 6,4
49272	H-1475	$1/4''$ x 75' / 6,4 mm x 22,9 m	Narandžasto $3/16$ / 4,8	$1/4$ / 6,4
49277	H-1400	$1/4''$ x 100' / 6,4 mm x 30,5 m	$3/16$ / 4,8	$1/4$ / 6,4
64732	H-1415	$1/4''$ x 150' / 6,4 mm x 45,7 m	$3/16$ / 4,8	$1/4$ / 6,4
50002	HL-1	Fleksibilni uvodnik, $1/4''$ / 6,4 mm	$1/8$ / 3,2	$3/16$ / 4,8
50007	HL-2	Fleksibilni uvodnik, $1/2''$ / 13 mm	$1/8$ / 3,2	$3/16$ / 4,8
47607	H-1250	$1/2''$ x 50' / 13 mm x 15,2 m	$1/4$ / 6,4	$1/2$ / 13
47612	H-1275	$1/2''$ x 75' / 13 mm x 22,9 m	$1/4$ / 6,4	$1/2$ / 13
47617	H-1200	$1/2''$ x 100' / 13 mm x 30,5 m	$1/4$ / 6,4	$1/2$ / 13
51587	H-1211	$1/2''$ x 110' / 13 mm x 33,5 m	$1/4$ / 6,4	$1/2$ / 13
49487	H-1215	$1/2''$ x 150' / 13 mm x 45,7 m	Crno $1/4$ / 6,4	$1/2$ / 13
51597	H-1220	$1/2''$ x 200' / 13 mm x 61 m	$1/4$ / 6,4	$1/2$ / 13

## KJ-2200 Oprema mašine za ispiranje

Kataloški br.	Model br.	Opis
62882	H-5	Mini kalem za crevo (bez creva)
64737	H-30	H-30 kolica sa kalemom za crevo
62877	H-30 WH	H-30 kolica sa kalemom za crevo i 110' / 33,5 m x $1/2''$ / 13 mm crevom za ispiranje
64077	HP-22	Paket za pranje pod pritiskom, KJ-2200
64767	HW-22	Štap za pranje, KJ-2200
51572	H-1235	Crevo za štap za pranje $1/2''$ / 13 mm x 35' / 10,7 m
48157	FV-1	Nužni ventil
66732	HF-4	Brzo spajajuće crevo
48367	H-25	Komplet za rad u zimskim uslovima
47542	H-21	Alat za čišćenje brizgaljki
67187	H-32	Slobodan mlaz

## KJ-3100 Brizgaljke i creva mašine za ispiranje

Kataloški br.	Model br.	Opis	U.P. creva inch / mm	S.P. creva inch / mm
38698	H-101	Propulzivna brizgaljka	$1/8''$ / 3,2 mm NPT	
38713	H-102	Prodorna brizgaljka	$1/4''$ / 6,4 mm crevo	
38703	H-104	Brizgaljka sa spušenom glavom		
38723	H-105	$1/8''$ / 3,2 mm NPT okretna brizgaljka		
38693	H-111	Propulzivna brizgaljka	$1/4''$ / 6,4 mm NPT	
38708	H-112	Prodorna brizgaljka	$3/8''$ / 9,5 mm crevo	
38718	H-1155	$1/4''$ / 6,4 mm NPT okretna brizgaljka		
16713	RR3000	Brizgaljka za šumsko korenje		
47592	H-1425	$1/4''$ / 6,4 mm x 25' / 7,6 m crevo za klopke	$3/16$ / 4,8	$1/4$ / 6,4
47597	H-1435	$1/4''$ / 6,4 mm x 35' / 10,7 m crevo za klopke	$3/16$ / 4,8	$1/4$ / 6,4
47602	H-1450	$1/4''$ / 6,4 mm x 50' / 15,2 m crevo za klopke	$3/16$ / 4,8	$1/4$ / 6,4
49272	H-1475	$1/4''$ / 6,4 mm x 75' / 22,9 m crevo za klopke	$3/16$ / 4,8	$1/4$ / 6,4
49277	H-1400	$1/4''$ / 6,4 mm x 100' / 30,5 m crevo za klopke	$3/16$ / 4,8	$1/4$ / 6,4
64732	H-1415	$1/4''$ / 6,4 mm x 150' / 45,7 m crevo za klopke	$3/16$ / 4,8	$1/4$ / 6,4
64827	H-3835	$3/8''$ / 9,5 mm UP x 35' / 10,7 m crevo za pranje	$3/8$ / 9,5	$5/8''$ / 16
64832	H-3850	$3/8''$ / 9,5 mm ID x 50' / 15,2 m crevo za ispiranje/pranje	$3/8$ / 9,5	$5/8''$ / 16
64837	H-3810	$3/8''$ / 9,5 mm ID x 100' / 30,5 m crevo za ispiranje	$3/8$ / 9,5	$5/8''$ / 16
64842	H-3815	$3/8''$ / 9,5 mm ID x 150' / 45,7 m crevo za ispiranje	Crno $3/8$ / 9,5	$5/8''$ / 16
64847	H-3820	$3/8''$ / 9,5 mm UP x 200' / 61 m crevo za ispiranje	$3/8$ / 9,5	$5/8''$ / 16
64852	H-3825	$3/8''$ / 9,5 mm ID x 250' / 76,2 m crevo za ispiranje	$3/8$ / 9,5	$5/8''$ / 16
64857	H-3830	$3/8''$ / 9,5 mm ID x 300' / 91,4 m crevo za ispiranje	$3/8$ / 9,5	$5/8''$ / 16

## KJ-3100 Oprema mašine za ispiranje

Kataloški br.	Model br.	Opis
62882	H-5	Mini kalem za crevo
64862	H-38	Kalem za crevo (odgovara za KJ-3100)
64902	H-38 WH	Kalem za crevo sa 200' / 61 m x $3/8''$ / 9,5 mm UP crevom (odgovara za KJ-3100)
64797	HW-30	Štap za pranje, KJ-3100
48367	H-25	Komplet za rad u zimskim uslovima
48157	FV-1	Nužni ventil
66732	HF-4	Brzo spajajuće crevo (kalem na nužni ventil)
47542	H-21	Alat za čišćenje brizgaljki
67187	H-32	Slobodan mlaz

## Skladištenje mašine

**▲ UPOZORENJE** Skladištite mašinu za ispiranje u dobro provetrenim prostorijama, zaštićenim od kiše i snega. Skladištite ovu mašinu u zaključanom prostoru izvan domašaja dece i osoba koje nisu upoznate sa mašinama za ispiranje. U rukama korisnika koji nisu obučeni mašina može prouzrokovati teške povrede. Pogledajte *poglavlje Održavanje* za informacije o skladištenju pri hladnim vremenskim uslovima. Pogledajte Priručnik za rukovanje motorom za specifične informacije o skladištenju motora.

## Servisiranje i popravke

### ▲ UPOZORENJE

**Neodgovarajuće servisiranje ili popravak može učiniti mašinu opasnom za rad.**

"Uputstva za održavanje" će se pobrinuti za najčešće servisne potrebe ove mašine. Sve probleme koji nisu navedeni u ovom poglavlju treba da otkloni ovlašćeni servisni tehničar firme RIDGID.

Alat treba da odnesete u nezavisni ovlašćeni servisni centar ili da ga vratite proizvođaču.

Za dodatne informacije o vama najbližem ovlašćenom RIDGID servisnom centru ili pitanjima u vezi popravke ili servisa:

- Kontaktirajte lokalnog RIDGID distributera.
- Posetite [www.RIDGID.com](http://www.RIDGID.com) ili [www.RIDGID.eu](http://www.RIDGID.eu) da pronađete lokalni kontakt firme RIDGID.
- Kontaktirajte sa Tehničkim servisnim sektorom firme RIDGID na [rtctechservices@emerson.com](mailto:rtctechservices@emerson.com), ili u Americi i Kanadi nazovite (800) 519-3456.

## Odstranjivanje

Delovi mašine za ispiranje sadrže vredne materijale i mogu se reciklirati. Pronađite lokalne firme koje se bave reciklažom. Odstranite sastavne delove u skladu sa svim primenjivim zakonskim propisima. Kontaktirajte lokalnu instituciju za upravljanje otpadom za više informacija.



**Za države EU:** Ne odlažite električnu opremu zajedno sa kućnim otpadom!

U skladu sa Evropskom smernicom 2002/96/EZ o električnoj i elektronskoj opremi koja predstavlja otpad i njenoj primeni u lokalnom zakonodavstvu, električnu opremu koju više ne možete upotrebiti morate odvojeno sakupljati i odlagati na odgovarajući, ekološki način.

## Lociranje i uklanjanje kvarova

PROBLEM	UZROK	KOREKCIJA
Ispirač radi ali je učinak mali ili nema pritiska.	Neadekvatno napajanje vodom.	Uverite se da je slavina za napajanje vodom <b>ODVRNUTA</b> .
		Uverite se da je ulazni ventil za napajanje vodom <b>ODVRNUT</b> .
		Uverite se da je crevo za napajanje vodom čisto i da nije zapetljano ili savijeno.
Ispirač nije podešen za pun radni pritisak prilikom startovanja.	Zatvoren je vazduh u sistemu.	Uklonite brizgaljku sa creva ispirača i pokrenite ispirač da izbací vazduh/nečistoću iz sistema.
	Brizgaljka ispirača je slepljena ili blokirana.	Uklonite brizgaljku i očistite rupice sa alatom za čišćenje brizgaljke.
Izmereni pritisak ispirača varira od 500 do punog radnog pritiska.	Brizgaljka ispirača je slepljena ili blokirana.	Uklonite brizgaljku. Upotrebite alat za čišćenje brizgaljke da očistite rupicu brizgaljke: izaberite odgovarajuću veličinu žice i gurnite je kompletno kroz slepljenu rupicu da bi uklonili nečistoću.
	Nečistoća ili vazduh u sistemu.	Uklonite brizgaljku i umetnite crevo ispirača u odvodni vod. Pokrenite ispirač da izbací vazduh ili nečistoću.



# Гидродинамические машины

## Гидродинамические машины KJ-2200/KJ-3100



KJ-3100



KJ-2200

### ⚠ ВНИМАНИЕ!

Прежде чем пользоваться этой установкой, внимательно прочитайте данное руководство по эксплуатации. Непонимание и несоблюдение содержания данного руководства может привести к поражению электрическим током, пожару и (или) серьезной травме.

### Гидродинамические машины KJ-2200/KJ-3100

Запишите заводской номер, указанный далее, и сохраните заводской номер, указанный на фирменной табличке.

Заводской №

--

## Содержание

<b>Бланк для записи серийного номера станка</b> .....	407
<b>Обозначения техники безопасности</b> .....	409
<b>Общие правила техники безопасности</b> .....	409
Безопасность в рабочей зоне.....	409
Электробезопасность.....	409
Личная безопасность.....	409
Использование и уход.....	410
Техническое обслуживание.....	410
<b>Предупреждения о безопасности при работе с гидродинамической машиной</b> .....	410
<b>Описание, технические характеристики и стандартные принадлежности</b> .....	411
Описание.....	411
Технические характеристики.....	412
Пиктограммы.....	412
Стандартные принадлежности.....	412
<b>Сборка установки</b> .....	413
Моторное масло.....	413
Масло для насоса/редуктора.....	413
Рукоятка KJ-3100 в сборе.....	413
<b>Предэксплуатационный осмотр</b> .....	414
<b>Подготовка установки и рабочей зоны</b> .....	416
Подача воды.....	417
Подготовка канализационной трубы.....	418
Подготовка шланга.....	418
ТАБЛИЦА ВЫБОРА ШЛАНГОВ ГИДРОДИНАМИЧЕСКОЙ МАШИНЫ.....	419
ТАБЛИЦА ВЫБОРА НАСАДОК ГИДРОДИНАМИЧЕСКОЙ МАШИНЫ.....	419
<b>Руководство по эксплуатации</b> .....	420
Чистка канализации с помощью гидродинамической машины.....	422
Использование импульсного режима.....	423
Использование гидродинамической машины в качестве установки для мытья под давлением.....	423
Работа установки для мытья под давлением.....	424
Форсунка для впрыска моющего средства.....	424
<b>Инструкции по техническому обслуживанию</b> .....	425
Чистка.....	425
Двигатель.....	425
Смазка насоса.....	425
Смазка редуктора.....	425
Подготовка насоса к хранению в зимнее время.....	425
<b>Дополнительные принадлежности</b> .....	426
<b>Хранение установки</b> .....	427
<b>Обслуживание и ремонт</b> .....	427
<b>Поиск и устранение неисправностей</b> .....	428
<b>Утилизация</b> .....	428
<b>Пожизненная гарантия</b> .....	Задняя обложка

\* Перевод исходных инструкций

## Обозначения техники безопасности

В данном руководстве по эксплуатации установки обозначения техники безопасности и сигнальные слова используются для сообщения важной информации по безопасности. В данном разделе объясняется значение этих сигнальных слов и знаков.



Это обозначение опасности. Оно используется, чтобы предупредить вас о травматических опасностях. Соблюдайте требования всех сообщений по технике безопасности, которые следуют за данным символом, чтобы избежать возможных травм или летального исхода.

**▲ ОПАСНО** ОПАСНО указывает на опасную ситуацию, которая, если ее не избежать, приведет к летальному исходу или к значительной травме.

**▲ ВНИМАНИЕ** ВНИМАНИЕ указывает на опасную ситуацию, которая, если ее не избежать, может привести к летальному исходу или к значительной травме.

**▲ ОСТОРОЖНО** ОСТОРОЖНО указывает на опасную ситуацию, которая, если ее не избежать, может привести к незначительной травме или к травме средней тяжести.

**ПРЕДУПРЕЖДЕНИЕ** ПРЕДУПРЕЖДЕНИЕ указывает на информацию, относящуюся к защите имущества.



Этот символ означает "внимательно прочитайте руководство по эксплуатации перед использованием оборудования" с целью снижения травматичности. Руководство по эксплуатации содержит важную информацию по безопасной и надлежащей работе с оборудованием.



Это обозначение означает "всегда надевайте защитные очки с боковыми щитками или закрытые защитные очки при обработке либо использовании этого оборудования, чтобы снизить риск повреждения глаз".



Это обозначение означает опасность направления воды под высоким давлением на части тела, так как вода может попасть под кожу и нанести травмы.



Это обозначение указывает на риск захлестывания шланга гидродинамической машины, что может привести к ударам или травмам с попаданием воды в тело.



Это обозначение указывает на риск вдыхания угарного газа, что может вызывать тошноту, обморок или смерть.



Это обозначение означает опасность пожара и взрыва бензина или других жидкостей, что может привести к ожогам и к другим травмам.

## Общие правила техники безопасности

### ▲ ВНИМАНИЕ

**Прочитайте и изучите данную инструкцию. Несоблюдение всех перечисленных ниже инструкций может привести к поражению электрическим током, пожару и/или серьезной травме.**

### **СОХРАНИТЕ НАСТОЯЩУЮ ИНСТРУКЦИЮ!**

#### Безопасность в рабочей зоне

- Рабочая зона должна быть хорошо освещена, и ее следует содержать в чистоте. Загроможденные верстаки и плохо освещенные рабочие зоны являются причиной несчастных случаев.
- Запрещается эксплуатировать инструменты с приводом во взрывоопасных средах, то есть вблизи горючих жидкостей, газов или пыли. Инструмент с приводом создает искры, которые могут привести к воспламенению пыли или газов.

- Во время работы оператора с инструментом, оборудованным приводом, посторонние лица, дети и посетители должны находиться на безопасном расстоянии. Отвлечение внимания может привести к потере управления оператором.

#### Электробезопасность

- Не прикасайтесь к заземленным поверхностям, например, к трубам, нагревателям, печам и холодильникам. В противном случае, если тело человека заземлено, риск поражения током повышается.

#### Личная безопасность

- Будьте внимательны, контролируйте выполняемые действия и пользуйтесь здравым смыслом при работе с инструментом с приводом. Запрещается эксплуатировать инструмент, находясь в уставшем состоянии или под действием наркотиков, алкоголя или лекарственных препаратов. Потеря внимательности

даже на секунду при работе с инструментами с приводом может привести к серьезным травмам.

- **Следует надевать подходящую одежду. Не надевайте свободную одежду или украшения. Убирайте длинные волосы. Держите волосы, одежду и перчатки вдали от движущихся частей.** Свободная одежда, украшения или длинные волосы могут попасть в движущиеся части.
- **Не перенапрягайтесь. Всегда сохраняйте устойчивое положение и равновесие.** Устойчивая опора ног и равновесие обеспечивают более уверенное владение инструментом в непредсказуемых ситуациях.
- **Используйте средства защиты. Всегда используйте средства защиты глаз.** В соответствующих условиях во избежание травм следует использовать пылезащитную маску, ботинки с нескользящими подошвами, каску или беруши.

## Использование и уход

- **Не применяйте силу при эксплуатации инструмента. Используйте соответствующий инструмент для каждого типа работы.** Надлежащий инструмент выполнит работу лучше и безопаснее при расчетной скорости работы.
- **Не допускается использование инструмента с приводом, если его переключатель не переводится в положение "ВКЛ" или "ВЫКЛ".** Любой прибор с неисправным выключателем электропитания опасен, его следует отремонтировать.
- **Храните неиспользуемый инструмент вне досягаемости детей и других необученных лиц.** Инструменты представляют собой опасность в руках неквалифицированных пользователей.
- **Следует производить тщательное обслуживание инструмента. Следите за тем, чтобы режущие насадки были острыми и чистыми.** Заедание режущего инструмента с острыми режущими кромками, прошедшего надлежащее техническое обслуживание, происходит реже, при этом он легче в управлении.
- **Следует проверять отсутствие несоосности или заедания движущихся частей, поломки деталей и иных условий, которые могут отрицательно повлиять на работу инструмента.** Если инструмент поврежден, обеспечьте его сервисное обслуживание. Неисправное техническое состояние инструмента является причиной многих несчастных случаев.
- **Используйте только рекомендованные производителем для данной модели дополни-**

**тельные принадлежности.** Дополнительные принадлежности, подходящие для работы с одним инструментом, могут быть опасными при использовании с другим.

## Техническое обслуживание

- **Сервисное обслуживание инструмента должен выполнять только квалифицированный персонал, осуществляющий ремонт.** Сервис или техобслуживание инструмента, проведенные неквалифицированным персоналом, могут привести к травме.
- **При техническом обслуживании инструмента следует использовать только аналогичные по типу сменные детали. Соблюдайте инструкции, указанные в разделе "Техническое обслуживание" данного руководства.** Использование нефирменных деталей или несоблюдение инструкций по техническому обслуживанию может создать опасность поражения электрическим током или привести к травме.

## Предупреждения о безопасности при работе с гидродинамической машиной

### ▲ ВНИМАНИЕ

Данный раздел содержит важную информацию по безопасности, имеющую отношение именно к данному инструменту.

Чтобы снизить риск поражения электротоком или получения тяжелой травмы, внимательно прочтите данное руководство перед использованием инструмента для чистки канализации.

### СОХРАНИТЕ ВСЕ ПРЕДУПРЕЖДЕНИЯ И ИНСТРУКЦИИ ДЛЯ ПОСЛЕДУЮЩЕГО ИСПОЛЬЗОВАНИЯ!

Храните данное руководство рядом с установкой для использования ее оператором.

- **Запрещается включать гидродинамическую машину, если конец шланга находится снаружи канализационного трубопровода.** Шланг может захлестнуться и нанести удар, а разбрызгиваемая струя может попасть под кожу и причинить серьезную травму.
- **Вода под высоким давлением может повредить кожу и привести к серьезной травме, вплоть до ампутации конечности.** Запрещается направлять струю на людей или животных.
- **Запрещается эксплуатировать гидродинамическую машину при давлении выше номи-**



- нального или при температуре воды на впуске более 140°F / 60°C. Это повышает вероятность получения травмы, включая ожоги, и выхода из строя гидродинамической машины.
- **Педальный клапан должен нажимать тот же оператор, который управляет рабочим процессом гидродинамической машины. Всегда применяйте педальный клапан.** Если шланг гидродинамической машины выходит наружу из канализационного трубопровода, оператор должен иметь возможность перекрыть поток воды, чтобы снизить риск захлестывания водометного шланга, что может привести к удару шлангом и к травмам вследствие проникания в тело человека воды под высоким давлением.
  - **Всегда используйте соответствующие индивидуальные средства защиты при работе с оборудованием для чистки канализации.** В канализации могут содержаться химикаты, бактерии и другие вещества, которые могут быть токсичны, заразны, приводить к ожогам или к другим проблемам. Соответствующие средства индивидуальной защиты всегда должны включать защитные очки и перчатки, и могут включать такие средства, как латексные или резиновые перчатки, защитные маски, закрытые защитные очки, защитный комбинезон, респираторы и обувь со стальным носком.
  - **Соблюдайте гигиену. После работы с оборудованием для чистки канализации мойте руки и другие части тела, соприкасавшиеся с содержимым канализации, горячей водой с мылом.** Не ешьте и не курите во время работы с оборудованием для чистки канализации. Это поможет предотвратить заражение токсичными или инфекционными веществами.
  - **Запрещается распылять токсичные или легковоспламеняющиеся жидкости.** Это снижает риск получения ожогов, пожара, взрыва или других травм.
  - **Бензин и его пары легко воспламеняются и взрывоопасны.** См. в руководстве по эксплуатации двигателя меры предосторожности по снижению риска ожогов, взрывов и серьезных травм при транспортировке и пользовании бензином.
  - **При работе двигателей образуется угарный газ - бесцветный ядовитый газ, не имеющий запаха. Вдыхание угарного газа может вызывать тошноту, обморок или смерть.** Запрещается запускать двигатель или находиться с работающим двигателем в закрытом помещении, даже если открыты двери и окна. Разрешается производить работу только на открытом воздухе.
  - **Горячие поверхности могут причинить ожоги и привести к пожару.** Держите части тела и воспламеняющиеся материалы вдали от горячих поверхностей.
  - **До начала работы с данным устройством прочтите и поймите содержимое данного руководства по эксплуатации, руководства по эксплуатации двигателя, руководств по эксплуатации всего используемого оборудования и всех предупреждений.** Несоблюдение всех инструкций и предупреждений может привести к повреждению имущества и/или к серьезной травме.
- Декларация соответствия ЕС (890-011-320.10) выпускается отдельным сопроводительным буклетом к данному руководству только по требованию.
- Если у вас возникли вопросы, касающиеся этого издания RIDGID®:
- Обратитесь к местному дистрибьютору RIDGID.
  - Чтобы найти контактный телефон местного дистрибьютора RIDGID, войдите на сайт [www.RIDGID.com](http://www.RIDGID.com) или [www.RIDGID.ru](http://www.RIDGID.ru) в сети Интернет.
  - Обратитесь в Отдел технического обслуживания RIDGID по адресу [rttechservices@emerson.com](mailto:rttechservices@emerson.com), в США и Канаде вы также можете позвонить по телефону (800) 519-3456.

## Описание, технические характеристики и стандартные принадлежности

### Описание

Гидродинамические машины с двигателем RIDGID® представляют собой переносные водометные установки высокого давления, предназначенные для использования струи воды под высоким давлением для очистки и удаления жира, ила, отстоя и корней из канализационных трубопроводов. Очень гибкий и легкий шланг, вращаясь, поникает сквозь канализационный трубопровод с помощью водометной насадки с направленными назад струями, и после удаления поросли смывает остатки мусора из трубопровода. После включения импульсной водометной подачи облегчается прохождение шлангом трудных и резких изгибов трубопроводов и сифонов. Все установки оборудованы бензиновым двигателем для приведения в движение трехпоршневого насоса.



Рис. 1 – Гидродинамическая машина KJ-2200

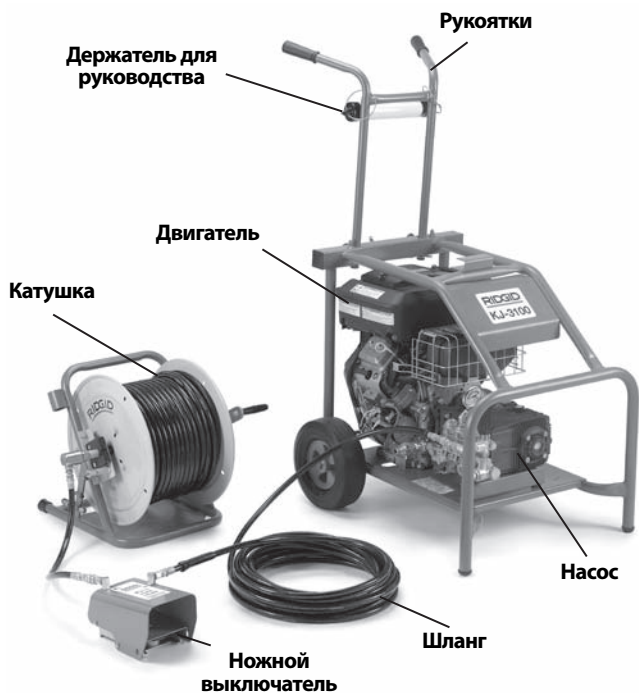


Рис. 2 – Гидродинамическая машина KJ-3100



Рис. 3 – Заводской номер установки

Заводской номер установки указан на ее раме. Последние 4 цифры обозначают месяц и год выпуска. (08 = месяц, 10 = год).

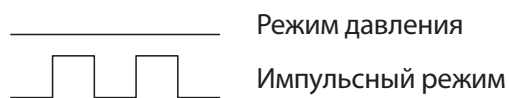
**Технические характеристики**

Модель установки	Двигатель л.с.	Давление фунтов/кв. дюйм / бар
KJ-2200	6.5 / 6,5	2200 / 150
KJ-3100	16	3000 / 205

Расход галл./мин / литр	Диаметры канализационных труб дюймов / мм	Вес (без катушки со шлангом) фунтов / кг
2.4 / 9	1 1/4 - 6 / 32 - 152	65 / 30
5.5 / 20	2 - 10 / 50 - 250	262 / 119

**Пиктограммы**



**Стандартные принадлежности**

Все гидродинамические машины поставляются с

- Соответствующими водометными насадками
- Инструментом для чистки насадки
- Педальным клапаном FV-1
- Руководством по эксплуатации двигателя

В каталоге RIDGID указано, какому номеру по каталогу соответствует конкретное поставляемое оборудование.

**ПРЕДУПРЕЖДЕНИЕ** Эта установка предназначена для чистки канализации. При соблюдении правил эксплуатации установка не наносит повреждений канализации, которая находится в исправном состоянии, надлежащим образом спроектирована,

построена и обслуживается. Если канализация находится в плохом состоянии или же ненадлежащим образом спроектирована, построена или обслуживается, то процесс чистки канализации может оказаться неэффективным или же может привести к повреждению канализации. Наилучший способ определения состояния канализации перед чисткой - это визуальный осмотр с помощью видеокамеры. Ненадлежащее применение гидродинамической машины для чистки канализации может привести к выходу ее из строя и к повреждению канализации. Данная установка не может прочистить все засоры в канализации.

## Сборка установки

### ▲ ВНИМАНИЕ

**Для предотвращения получения серьезной травмы во время работы установки и во избежание выхода из строя установки выполняйте данные процедуры надлежащей сборки установки.**

### Моторное масло

**ПРЕДУПРЕЖДЕНИЕ** Гидродинамическая машина поставляется с двигателем, в который не заправлено моторное масло. Работа двигателя без масла приводит к его отказу. До начала работы заправьте моторное масло. Конкретная информация о доливке и выборе моторного масла представлена во входящем в комплект поставки руководстве по эксплуатации двигателя.

### Масло для насоса/редуктора

**Насос:** Снимите заглушку сверху на насосе и замените ее штыковым измерителем уровня/сапуном. Работа гидродинамической машины с установленной заглушкой может привести к повреждению уплотнений насоса. Проверьте уровень масла в соответствии с указаниями в разделе "Инструкции по техническому обслуживанию".

**Редуктор (только для KJ-3100):** Снимите заглушку сверху на насосе и замените ее штыковым измерителем уровня/сапуном. Работа гидродинамической машины с установленной заглушкой может привести к повреждению уплотнений редуктора. Проверьте уровень смазки в соответствии с указаниями в разделе "Инструкции по техническому обслуживанию".

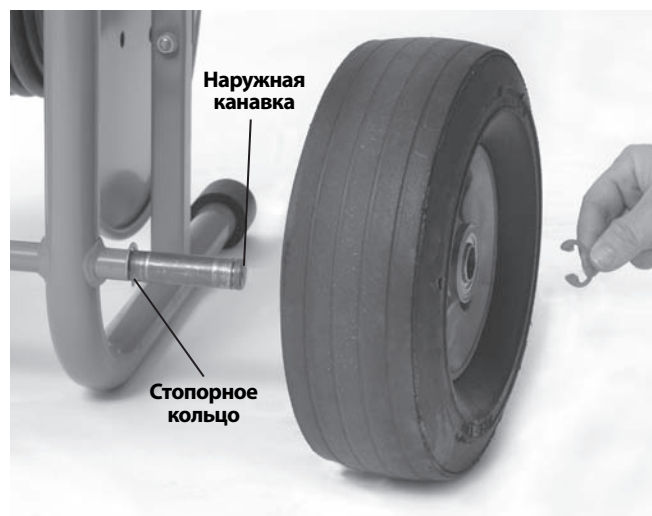


Рис. 4 – Сборка установки KJ-2200

### Тележка для перевозки KJ-2200

1. Установите стопорное кольцо во внутреннюю канавку с каждой стороны оси. (См. рис. 4.)
2. Насадите колесики на конец каждой из осей.
3. Установите стопорное кольцо в наружную канавку с каждой стороны оси, чтобы прикрепить колесо.
4. Используйте поставляемые с тележкой болты и барашковые гайки, чтобы прикрепить ручку к раме.
5. Поднимите двигатель в сборе с насосом и установите его на тележку, совместив отверстия в панели основания со штифтами в верхней части тележки. Для закрепления двигателя в сборе с насосом используйте фиксирующие защелки. Убедитесь, что агрегат надежно прикреплен.

### Рукоятка KJ-3100 в сборе

1. Вставьте рукоятку в два отверстия в задней поперечине рамы. (См. рис. 5.)
2. Вставьте шпильку сквозь отверстия внизу рукоятки, чтобы рукоятка не выпала наружу.
3. Заверните Т-образные ручки в заднюю поперечину. Отрегулируйте рукоятки требуемым образом и затяните ручки, чтобы прикрепить рукоятку.



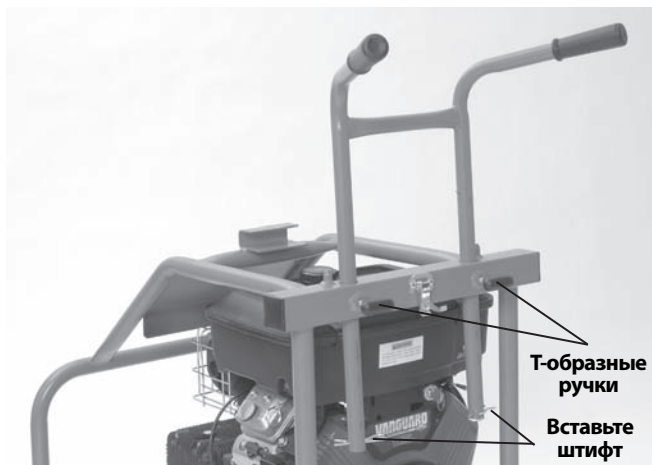
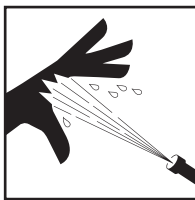


Рис. 5 – Сборка рукоятки KJ-3100

## Предэксплуатационный осмотр

### ⚠ ВНИМАНИЕ



**Перед каждым использованием осматривайте гидродинамическую машину, устраняйте малейшие неисправности, чтобы снизить риск серьезной травмы в результате поражения водой под высоким давлением и других причин, а также чтобы предотвратить выход гидродинамической машины из строя.**

**В целях защиты от химикатов и бактерий, имеющих на оборудовании, при осмотре гидродинамической машины всегда следует надевать защитные очки, перчатки, а также другие средства индивидуальной защиты.**

1. Проверьте, чтобы переключатель/кнопка включения двигателя установлен в выключенное положение.
2. Удаляйте с оборудования масло, жир или грязь, особенно с рукояток и органов управления. Это облегчает осмотр и помогает предотвратить выскальзывание установки или органа управления из рук.
3. Проверьте для гидродинамической машины и ее принадлежностей следующее:
  - Правильность сборки и комплектацию.
  - Отсутствие поломанных, изношенных, потерянных, несоосных, заедающих или разболтанных деталей.
  - Наличие разборчивых предупреждающих наклеек. (См. рис. 6.)

- Отсутствие любых других условий, которые могут воспрепятствовать безопасной и нормальной эксплуатации.

При обнаружении каких-либо проблем устраните их, прежде чем использовать гидродинамическую машину.



Рис. 6А - Предупредительные этикетки KJ-2200



Рис. 6В - Предупредительные этикетки KJ-2200

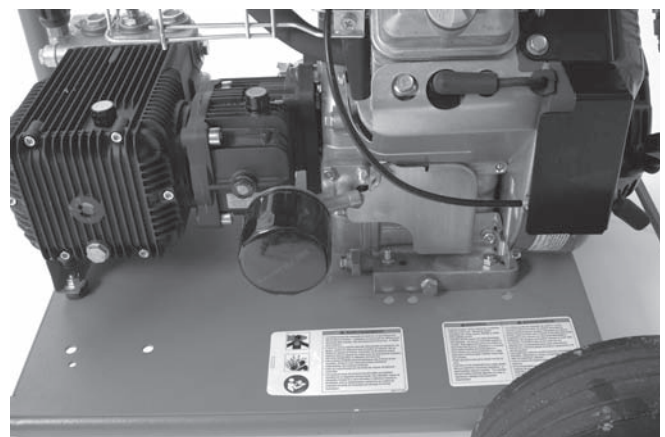
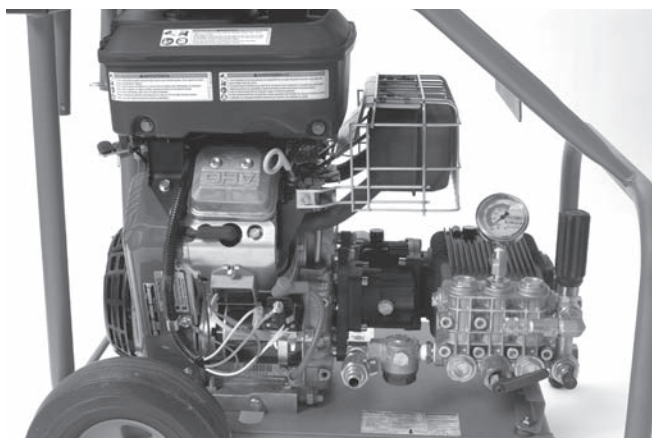


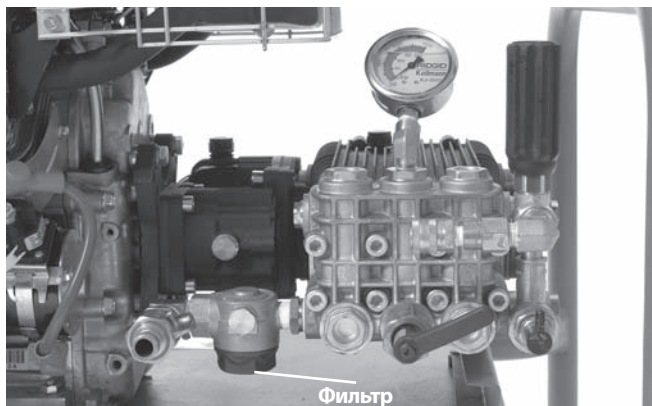
Рис. 6С - Предупредительные этикетки KJ-3100





**Рис. 6D - Предупредительные этикетки KJ-3100**

- Очистите впускной водяной фильтр/омыватель фильтра. Для чистки отверните крышку снизу впускного фильтра. Грязь и мусор могут препятствовать потоку воды к насосу и создавать проблемы в его работе.



**Рис. 7 - Впускной фильтр/омыватель фильтра**

- Осмотрите отверстия в водометной насадке, убедитесь в отсутствии повреждений или закупорки. Закупорку можно устранить с помощью инструмента для чистки насадки. Во время чистки действуйте осторожно, чтобы не расширить отверстия в насадке. Поврежденные насадки или насадки с увеличенными отверстиями могут снизить производительность гидродинамической машины, поэтому их следует заменять.
- Осмотрите шланги, соединители и фитинги, убедитесь в отсутствии износа и повреждений. При наличии каких-либо перегибов, трещин, обрывов или износа наружной оболочки шланга или иных повреждений не пользуйтесь шлангом. В поврежденных шлангах могут возникать разрывы или течь воды под высоким давлением, что может привести к серьезной травме. Использо-

мые взамен дефектных новые шланги и фитинги должны иметь расчетное давление, большее или равное рабочему давлению гидродинамической машины.

- Осмотры, проверки и техническое обслуживание двигателя следует выполнять в соответствии с указаниями руководства по эксплуатации двигателя.
- Проверяйте уровень топлива в двигателе. На гидродинамической машине KJ-3100 освободите защелку катушки со шлангом и проверните ее вперед до упора в раму, чтобы обеспечить доступ к крышке топливного бака двигателя, см. рис. 8. При необходимости долейте неэтилированный бензин. Более подробная информация представлена в руководстве по эксплуатации двигателя. Во время работы с бензином соблюдайте осторожность. Заправку топливом осуществляйте в хорошо проветриваемом месте. Запрещается чрезмерно заполнять топливный бак бензином и проливать бензин. Убедитесь, что крышка топливного бака плотно закрыта.



**Рис. 8 - Доступ к топливному баку KJ-3100**

- Проверьте уровень масла в насосе и редукторе (если он установлен) и при необходимости долейте масло (см. раздел "Инструкции по техническому обслуживанию").

## Подготовка установки и рабочей зоны

### ⚠ ВНИМАНИЕ



**В целях защиты от химикатов и бактерий, имеющихся на оборудовании, при подготовке гидродинамической машины всегда следует надевать защитные очки, перчатки, а также другие средства индивидуальной защиты. Обувь на резиновой подошве с противоскользящим покрытием поможет избежать падений на влажных поверхностях.**

**При работе двигателей образуется угарный газ - бесцветный ядовитый газ, не имеющий запаха. Вдыхание угарного газа может вызывать тошноту, обморок или смерть. Запрещается запускать двигатель или находиться с работающим двигателем в закрытом помещении, даже если открыты двери и окна. Разрешается производить работу только на открытом воздухе.**

**Подготовьте к работе гидродинамическую машину и рабочую зону в соответствии с данными процедурами, чтобы снизить риск травмы от поражения водой под высоким давлением, от химических ожогов, инфекций, угарного газа и других причин, а также чтобы предотвратить выход гидродинамической машины из строя.**

#### 1. Проверьте в рабочей зоне:

- Соответствующее освещение.
- Отсутствие легко воспламеняющихся жидкостей, паров или горючей пыли. Если такие условия имеются, не следует приступать к работе в этой зоне до тех пор, пока источники опасностей не будут определены и устранены. Гидродинамическая машина не имеет взрывозащищенного исполнения и может создавать искры.
- Чистое, ровное, устойчивое и сухое место для установки и оператора. При необходимости следует откачать воду из зоны проведения работ. Возможно, потребуется положить деревянный или иной настил.
- Местоположение гидродинамической машины в хорошо вентилируемой зоне вне помещений. Запрещается размещать гидродинамическую машину в закрытом помещении, даже если открыты двери и окна. Гидродинамическая машина может находиться на удалении от места ввода шланга в канализацию.

- Подачу подходящей воды.
  - Незагроможденный проход для транспортировки гидродинамической машины к месту проведения работ.
2. Осмотрите канализацию, подлежащую очистке. По возможности определите места доступа к канализации, диаметры и длину труб, расстояние до баков или магистралей, характер засора, установите наличие химикатов для чистки канализационных стоков или иных химических веществ и пр. Если в канализации имеются химикаты, важно понять необходимость осуществления конкретных мер безопасности, требуемых при проведении работы вблизи этих химикатов. Свяжитесь с производителем химикатов для получения необходимой информации.

При необходимости снимите сантехнику (унитазы и т.п.) для получения доступа к канализационной трубе. Запрещается вводить шланг через отверстия в сантехнике. Это может привести к повреждению шланга или сантехники.

3. Выберите нужное для выполнения задания оборудование. Информация о данных гидродинамических машинах приведена в разделе "Технические характеристики". Описание инструментов для чистки канализации и гидродинамических машин для других типов применения можно найти в каталоге оборудования RIDGID в сети Интернет на сайте [www.RIDGID.com](http://www.RIDGID.com) или [www.RIDGID.ru](http://www.RIDGID.ru).
4. Удостоверьтесь в полной проверке всего оборудования.
5. Изучите рабочую зону и определите целесообразность установки ограждения, чтобы ограничить доступ на площадку посторонним лицам. Присутствие посторонних может отвлечь оператора. При проведении работ вблизи дорог общего пользования, необходимо выставить дорожные конусы или иное ограждение для предупреждения водителей.
6. При необходимости в зоне проведения работ следует поместить защитные щиты. Процесс чистки канализации может оказаться грязным.
7. Переместите гидродинамическую машину вдоль свободного прохода к хорошо вентилируемой рабочей зоне, находящейся вне помещения. При необходимости подъема гидродинамической машины следует использовать надлежащие способы подъема. Соблюдайте осторожность при транспортировке оборудования вверх и вниз по лестницам, помните об опасной вероятности поскользнуться. Чтобы не поскользнуться, надевайте соответствующую обувь.

## Подача воды

Проверьте, что поток воды достаточен для работы гидродинамической машины. Проложите шланг от источника подачи воды до гидродинамической машины. Используйте шланг по возможности большого диаметра и небольшой длины. Минимальный рекомендуемый диаметр шланга равен  $\frac{3}{4}$ " / 19 мм. Чтобы обеспечить соответствие требованиям всех местных норм и правил, необходимо установить соответствующее устройство для защиты от противотока. Включите на источнике подачу воды и измерьте время, которое требуется для заполнения пустого чистого ведра емкостью девятнадцать литров (пять галлонов). См. таблицу ниже, где указаны максимальные длительности времени заполнения ведра для каждой гидродинамической машины.

Гидродинамическая машина	Номинальные параметры галл./мин / литр	Максимальное время заполнения ведра 5 галл. / 18,9 л
KJ-2200	2.4 / 9	125 секунд
KJ-3100	5.5 / 20	55 секунд

Недостаточный поток воды не даст гидродинамической машине достичь номинального давления воды и может привести к выходу насоса из строя. Проверьте отсутствие грязи и мусора в воде, находящейся в ведре. Грязь и мусор в подаваемой воде могут привести к повышенному износу насоса, закупорить насадки фильтров гидродинамической машины и уменьшить ее производительность. Запрещается осуществлять забор воды из прудов, озер или других источников, которые могут быть загрязнены.

В случаях недостаточного потока воды можно применить фитинги для установки нескольких питающих шлангов и подключения их к гидродинамической машине или же применить накопительный бак.

Если используется накопительный бак, установите тройник с полнопроходными вентилями на впуске воды к гидродинамической машине, как показано на рис. 9. Подсоедините шланг диаметром  $\frac{3}{4}$ " / 19 мм и длиной не более 6 футов / 1,8 м к вентилю на выпуске тройника, подсоедините источник подачи воды к тройнику. Поместите конец шланга в накопительный бак или подсоедините его к выпускному патрубку бака. Шланг по всей длине до накопительного бака не должен быть выше 5" / 12,7 см уровня впускного водяного патрубка гидродинамической машины, в противном случае гидродинамическая машина не сможет подкачивать воду из накопительного бака.

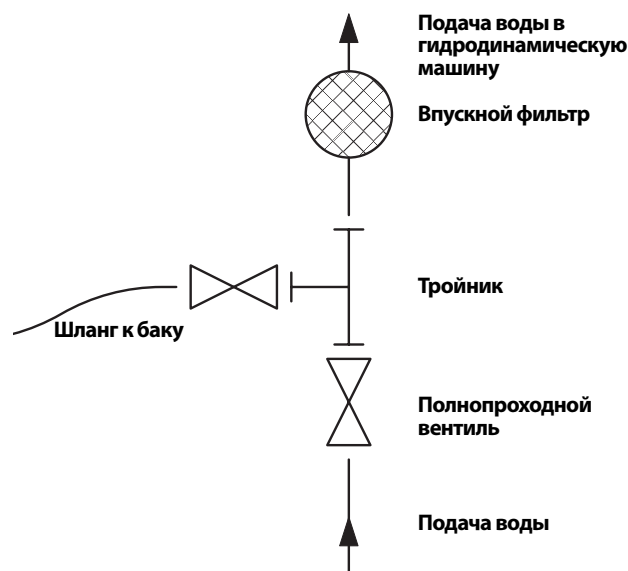


Рис. 9 – Соединения подачи воды при использовании накопительного бака

Перед запуском гидродинамической машины заполните водой накопительный бак. Во время запуска гидродинамической машины перекройте вентиль накопительного бака. Как только произойдет запуск гидродинамической машины, откройте вентиль накопительного бака. Контролируйте уровень воды в баке, при необходимости остановите гидродинамическую машину, чтобы вновь наполнить водой накопительный бак. Не допускайте понижения уровня воды ниже конца шланга.

Для улучшения очистки канализации можно использовать горячую воду. Запрещается использовать воду с температурой выше 140°F / 60°C – это может привести к размыканию реле термозащиты насоса. При пользовании горячей водой применяйте соответствующие средства индивидуальной защиты, чтобы снизить опасность получения ожогов.

При работе в холодную погоду применяйте меры предосторожности, чтобы вода не замерзла в насосе. Это может привести к повреждению насоса.

Убедитесь, что впускной питательный вентиль на гидродинамической машине перекрыт, затем подсоедините питательный шланг к гидродинамической машине.



### Подготовка канализационной трубы

При выполнении работ через люк, решетку ливневой канализации или другие крупногабаритные места доступа к канализации, используйте трубу с фитингами, чтобы направить шланг гидродинамической машины от отверстия доступа к канализации до места выполнения работ. Это предотвратит захлестывание водометного шланга вокруг места доступа и защитит шланг от повреждения.



**Рис. 10 – Удлинение отверстия доступа к канализации до места выполнения работ**

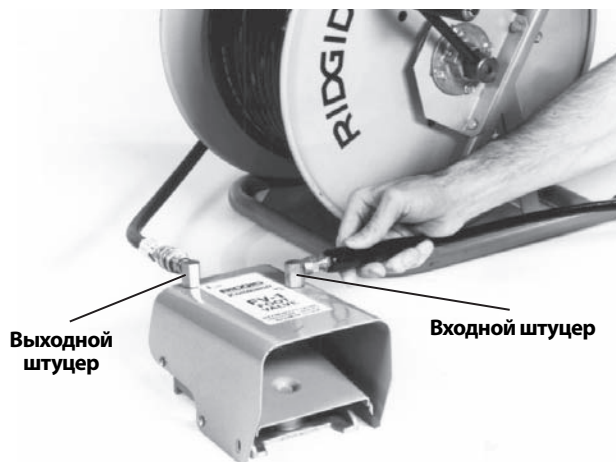
### Подготовка шланга

Соблюдайте аккуратность при прокладке водометных шлангов. Прокладка шлангов над неровными поверхностями, острыми кромками, пересечение шлангов и пр. может привести к повреждению оболочки шланга, особенно в импульсном режиме работы гидродинамической машины. Намотка водометного шланга на катушку поможет свести к минимуму повреждения шланга.

1. Выбирайте диаметр водометного шланга в соответствии с диаметром очищаемого канализационного трубопровода. В общем случае не рекомендуется подсоединять вместе два водометных шланга для очистки канализации. Такое соединение двух шлангов менее гибкое, и может помешать прохождению шланга через фитинги, см. таблицу выбора водометных шлангов.
2. При необходимости отделите катушку шланга от двигателя с насосом в сборе. Расположите катушку шланга в пределах 3 футов / 90 см от отверстия доступа в канализацию. Не следует оставлять

большую длину шланга снаружи канализации во избежание повреждения шланга. Если катушку шланга невозможно установить в пределах 3 футов / 90 см от отверстия доступа в канализацию, обеспечьте удлинение трубопровода канализации в направлении катушки шланга, используя трубу и фитинги с тем же диаметром, что и у канализационного трубопровода.

3. Проложите шланг от гидродинамической машины к впускному фитингу на педальном клапане. Для уплотнения соединения используйте тефлоновую ленту. Расположите педальный клапан в доступном месте. Педальный клапан должен нажимать тот же оператор, который управляет водометным шлангом.
4. Подсоедините шланг от катушки к выпускному фитингу на педальном клапане.



**Рис. 11 – Подключение педального клапана**

5. Нанесите отметку на водометный шланг у его конца, она покажет, когда насадка приближается к выходному отверстию канализации при вытягивании шланга наружу. Это поможет предотвратить выход насадки наружу из канализации и захлестывание шланга на выходе. Расстояние зависит от конфигурации канализации, но оно не должно быть меньше 4 футов / 1,2 м.
6. Снимите насадку с конца водометного шланга и вставьте конец водометного шланга в канализацию. Откройте впускной питательный вентиль, чтобы удалить из гидродинамической машины и шлангов воздух и мусор. Дайте потоку воды свободно вытекать не менее 2 минут.
7. Перекройте впускной питательный вентиль.
8. Выберите насадку. Используйте насадки специального размера в соответствии с применяемой гидродинамической машиной. Использование ненадлежащей насадки может привести к снижению производительности (к пониженному



рабочему давлению или к пониженному расходу воды) или к повреждению гидродинамической машины вследствие чрезвычайно высоких давлений. Убедитесь, что отверстия насадки чистые и свободные. См. таблицу выбора насадок гидродинамической машины.

В случае использования насадки RR3000 для канализационных трубопроводов диаметром от 6" / 152 мм до 9" / 229 мм следует применять удлинитель. Для канализационных трубопроводов диаметром 6" / 152 мм и менее удлинитель не требуется. При необходимости плотно от руки затяните удлинитель на насадке RR3000, излишне не затягивайте. При использовании насадки RR3000 в трубопроводах диаметром от 6" до 9" / от 152 мм до 229 мм без удлинителя или в трубопроводах диаметром более 9" / 229 мм насадка может изменить направление в канализационном трубопроводе, выйти наружу со стороны оператора и причинить ему серьезную травму (рис. 12).

- Плотно от руки затяните насадку на конце шланга, излишне не затягивайте. Излишняя затяжка насад-

ки может привести к ее повреждению и к снижению производительности.

- Вставьте шлаг с прикрепленной насадкой в канализацию и откройте впускной питательный вентиль. Убедитесь, что вода свободно протекает через насадку, затем закройте впускной питательный вентиль.

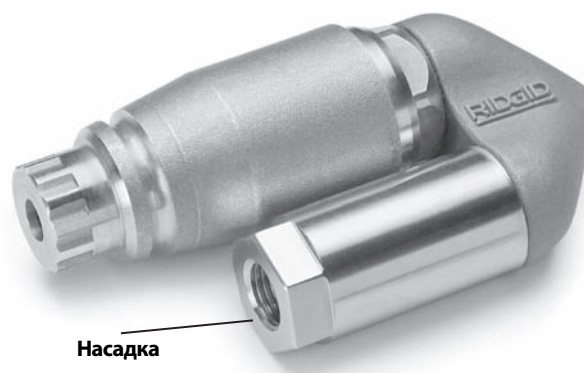


Рис. 12 - Насадка RR3000 с удлинителем

### ТАБЛИЦА ВЫБОРА ШЛАНГОВ ГИДРОДИНАМИЧЕСКОЙ МАШИНЫ

Виды применения		Диам. резьбы, дюймов / мм	Диам. насадки, дюймов / мм	Внутр. диам. шланга, дюймов / мм	Наружн. диам. шланга, дюймов / мм
KJ-2200	Раковины в ваннах, писсуары и небольшие трубопроводы.	1 1/4 - 2 / 32 - 50	1/8 / 3,2 NPT	1/8 / 3,2	3/16 / 4,8
	Раковины на кухне, раковины для стирки, сливные и вентиляционные отверстия.	2 - 3 / 50 - 76	1/8 / 3,2 NPT	3/16 / 4,8	1/4 / 6,4
	Дренажные отверстия в душе и в полу, поперечные дренажные трубы и жиросушители.	3 - 4 / 76 - 101	1/4 / 6,4 NPT	1/4 / 6,4	1/2 / 13
	Поперечные и магистральные трубы.	4 - 6 / 101 - 152	1/4 / 6,4 NPT	1/4 / 6,4	1/2 / 13
KJ-3100	Стояки, сливные и вентиляционные отверстия.	2 - 3 / 50 - 76	1/8 / 3,2 NPT	3/16 / 4,8	1/4 / 6,4
	Дренажные отверстия в полу, поперечные дренажные трубы и жиросушители.	3 - 4 / 76 - 101	1/4 / 6,4 NPT	3/8 / 9,5	5/8 / 16
	Поперечные и магистральные трубы.	4 - 10 / 101 - 250	1/4 / 6,4 NPT	3/8 / 9,5	5/8 / 16

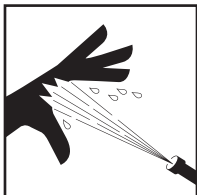
### ТАБЛИЦА ВЫБОРА НАСАДОК ГИДРОДИНАМИЧЕСКОЙ МАШИНЫ

KJ-2200	Размер резьбы, дюймов / мм	1/8 / 3,2 NPT	1/4 / 6,4 NPT
	Диаметр отверстия шланга (внутренний), дюймов / мм	1/8 и 3/16 / 3,2 и 4,8	1/4 / 6,4
	Диаметр отверстия шланга (наружный), дюймов / мм	3/16 и 1/4 / 4,8 и 6,4	1/2 / 13
	Три мощные направленные назад струи позволяют эффективно разбивать засоры. Идеальна для работы на больших дистанциях. Используйте эту насадку для большинства применений.	<b>H-61</b>	<b>H-71</b>
	Используйте три мощные направленные назад струи и одну направленную вперед струю для пробивания засоров в виде плотного жира или отстоя. Направленная вперед струя пробивает небольшое отверстие в засоре для последующего прохождения насадки. Она также очень эффективна при пробивании струей ледовых пробок.	<b>H-62</b>	<b>H-72</b>
Используйте насадку для прохождения изгибов с целью облегчения труднопроходимых колен трубопроводов. Эта насадка создает три мощные направленные назад струи.	<b>H-64</b>		
Используйте вращающуюся насадку для расчистки жировых и похожих засоров в канализационных трубопроводах.	<b>H-65</b>	<b>H-75</b>	

		Размер резьбы, дюймов / мм	1/8 / 3,2 NPT	1/4 / 6,4 NPT
		Диаметр отверстия шланга (внутренний), дюймов / мм	3/16 / 4,8	3/8 / 9,5
		Диаметр отверстия шланга (наружный), дюймов / мм	1/4 / 6,4	5/8 / 16
KJ-3100	Четыре (4) мощные направленные назад струи позволяют эффективно размывать засоры. Идеальна для работы на больших дистанциях. Используйте эту насадку для большинства применений.		H-101	H-111
	Используйте три мощные направленные назад струи и одну направленную вперед струю для пробивания засоров в виде плотного жира или отстоя. Направленная вперед струя пробивает небольшое отверстие в засоре для последующего прохождения насадки. Она также очень эффективна при пробивании струей ледовых пробок.		H-102	H-112
	Используйте насадку для прохождения изгибов с целью облегчения труднопроходимых колен трубопроводов. Эта насадка создает четыре (4) мощные направленные назад струи.		H-104	
	Используйте вращающуюся насадку для облегчения расчистки жировых и похожих засоров в канализационных трубопроводах.		H-105	H-115
	Используйте ее для расчистки засоров с корнями и прочих видов засоров. ПРИМЕЧАНИЕ. Используйте удлинитель, чтобы стабилизировать насадку RR3000 во время очистки канализационных трубопроводов диаметром 8 дюймов / 200 мм.			Насадка RR3000

## Руководство по эксплуатации

### ⚠ ВНИМАНИЕ



Всегда надевайте средства защиты органов зрения, чтобы защитить глаза от грязи и других инородных тел. Для выполнения работ всегда надевайте соответствующие индивидуальные средства защиты.

Запрещается включать гидродинамическую машину, если конец шланга находится снаружи канализационного трубопровода. Шланг может захлестнуться и нанести удар, а разбрызгиваемая струя может попасть под кожу и причинить серьезную травму.

Жидкость под высоким давлением может попасть под кожу и причинить серьезную травму, вплоть до ампутации. Запрещается направлять струю на людей или животных.

Запрещается эксплуатировать гидродинамическую машину при давлении выше номинального или при температуре воды на впуске более 140°F / 60°C. Это повышает вероятность получения травмы, включая ожоги, и выхода из строя гидродинамической машины.

Педальный клапан должен нажимать тот же оператор, который управляет рабочим процессом гидродинамической машины. Всегда применяйте

педальный клапан. Если шланг гидродинамической машины выходит наружу из канализационного трубопровода, оператор должен иметь возможность перекрыть поток воды, чтобы снизить риск захлестывания водометного шланга, что может привести к удару шлангом и к травмам вследствие попадания на тело человека воды под высоким давлением.

Всегда используйте соответствующие индивидуальные средства защиты при работе с оборудованием для чистки канализации. В канализации могут содержаться химикаты, бактерии и другие вещества, которые могут быть токсичны, заразны, приводить к ожогам или к другим проблемам. Соответствующие средства индивидуальной защиты всегда должны включать защитные очки и перчатки, и могут включать такие средства, как латексные или резиновые перчатки, защитные маски, закрытые защитные очки, защитный комбинезон, респираторы и обувь со стальным носком.

Выполняйте требования руководства по эксплуатации, чтобы уменьшить риск поражения от захлестнувшихся шлангов, жидкости под высоким давлением, угарного газа и других причин.

1. Убедитесь, что установка настроена, а рабочая зона организована должным образом, и в рабочей зоне нет посторонних и других отвлекающих моментов. Если гидродинамическая машина располагается на удалении от места применения, то помощник должен располагаться рядом с гидродинамической машиной.
2. Не менее 3 футов / 90 см шланга с насадкой должно находиться внутри канализационной трубы так, чтобы конец шланга не выскочил наружу из трубы и не захлестнулся при пуске установки.

3. Проверьте, что рычаг импульсного активатора повернут против часовой стрелки в положение "Pressure" ("Давление") (рис. 16).
4. Откройте впускной питательный вентиль. Запрещается запускать двигатель, если не включена подача воды. Это может привести к повреждению насоса.
5. Нажмите pedalный клапан, чтобы снизить давление и обеспечить запуск двигателя. Убедитесь, что вода свободно протекает через насадку. Запустите двигатель, соблюдая инструкции, указанные в руководстве, поставляемом вместе с двигателем. Прогрейте двигатель.

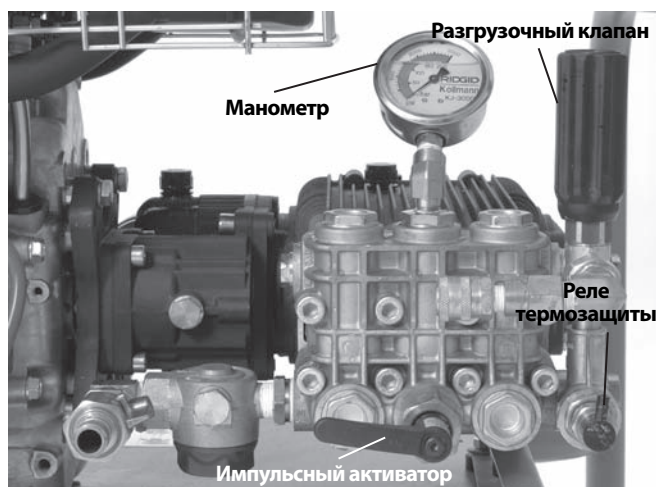


Рис. 13 - Средства управления

6. Поверните разгрузочный клапан, контролируя манометр давления, чтобы отрегулировать требуемое давление (по часовой стрелке для увеличения давления, против часовой стрелки для уменьшения давления). Запрещается превышать номинальное рабочее давление установки. Запрещается применять усилие для поворачивания разгрузочного клапана или использовать для этого гаечные ключи или инструменты. Это может привести к повреждению разгрузочного клапана.

Гидродинамическая машина	Номинальное давление, фунтов/кв. дюйм / бар
KJ-2200	2200 / 150
KJ-3100	3000 / 205

Если гидродинамическая машина не формирует номинальное давление или создает давление неперiodически:

- Убедитесь, что дроссельная заслонка двигателя отрегулирована надлежащим образом.
  - Убедитесь, что впускной питательный вентиль и другие вентили системы питания полностью открыты.
  - Поверните разгрузочный клапан по часовой стрелке для увеличения давления. Не следует прилагать усилий.
  - Убедитесь, что импульсный активатор установлен в положение "Pressure" ("Давление").
  - Во время работы установки несколько раз переключите импульсный активатор из положения "Pressure" ("Давление") в положение "Pulse" ("Импульс"), чтобы удалить остатки воздуха из системы.
  - Проверьте отсутствие течи в системе. Во время проверки будьте осторожны, чтобы не получить травму. При обнаружении течи перед устранением неисправности выключите гидродинамическую машину.
  - Выключите гидродинамическую машину. Проверьте впускной фильтр/омыватель фильтра и убедитесь в их чистоте и отсутствии мусора.
  - Убедитесь, что к гидродинамической машине поступает достаточный поток воды.
  - Выключите гидродинамическую машину и перекройте впускной питательный вентиль. Снимите насадку и очистите отверстия специальным инструментом для чистки насадки.
  - Дайте гидродинамической машине поработать со шлангом без насадки, чтобы удалить воздух или мусор из системы. Перед снятием и подсоединением насадки гидродинамическую машину следует выключать.
7. Выберите требуемую рабочую позицию.
    - Убедитесь, что можете управлять включением/выключением установки pedalным клапаном. Пока не нажимайте pedalный клапан.
    - Оператор должен убедиться, что находится в равновесии, и ему не требуется далеко тянуться.
    - Оператор должен иметь возможность постоянно держать одну руку на шланге, чтобы управлять шлангом и поддерживать его.
    - Оператор должен иметь возможность дотянуться до катушки для сматывания шланга.
- Такое положение оператора поможет сохранить управление водометным шлангом.






**Рис. 14 – Надлежащее рабочее положение**

### Чистка канализации с помощью гидродинамической машины

Во время чистки канализации с помощью гидродинамической машины обычно шланг направляют в канализацию на полную длину очистки и медленно вытягивают назад. Это позволяет направлять воду под высоким давлением на стенки канализационных труб для удаления отложений.

Извлеките стопорный штифт из катушки шланга. После ввода шланга в канализацию на длину не менее 3 футов / 90 см, и удерживая одну руку на шланге для управления его движением, нажмите педальный клапан. Мощные направленные назад струи насадки помогают вводить шланг в канализацию. Введите шланг на требуемую длину очистки. Если шланг остановится, значит он наткнулся на какое-то препятствие.

Если насадка не может пройти через препятствие, например, в случае изменения направления трубопровода (сифон, поворот и пр.) или засора:

- Производите резкие удары шлангом.
- Поверните шланг на четверть-половину оборота, чтобы сориентировать набор шлангов в требуемом новом направлении (если вы повернули шланг при прохождении препятствия на один оборот, поверните его обратно, чтобы предотвратить перегибы) *См. рис. 15.*
- Используйте импульсный режим.  (см. следующий раздел).
- Используйте шланг для сифонов или шланг большого диаметра.



**Рис. 15 – Вращение шланга**

После прохождения шлангом засора потратьте некоторое время на чистку этого участка канализации, только после этого продвигайтесь вперед. Продвиньте шланг не несколько футов за зону препятствия и медленно вытяните насадку назад через зону препятствия. Прodelайте эту операцию несколько раз, затем введите шланг дальше в канализацию.

Следите за уровнем воды в канализации. Если уровень воды значительно повысится, возможно, придется выключить гидродинамическую машину и подождать, пока вода стечет в канализацию, затем можно продолжать очистку. Очистка гидродинамической машиной канализационного трубопровода, заполненного водой, менее эффективна, чем в случае пустого трубопровода. Не допускайте работу гидродинамической установки в течение длительного времени с выключенным педальным клапаном. Если педальный клапан выключен, вода циркулирует в насосе, что приводит к ее нагреванию. Это может привести к размыканию реле термозащиты насоса.

После того, как насадка будет введена на требуемое расстояние внутрь канализации, медленно (со скоростью 1 фут / 30 см в минуту для сильно загрязнен-



ных канализаций) вытягивайте насадку назад через канализацию. Одной рукой управляйте шлангом, а другой - наматывайте шланг на катушку. Следите за тем, как насадка приближается к выходному отверстию канализации, чтобы насадка не вышла наружу с вытекающей из нее струей воды. При этом возможно захлестывание шланга, который может нанести удар, или же жидкость под высоким давлением может нанести травму. Всегда управляйте движением шланга. Следите за появлением отметки на шланге рядом с насадкой. Отпустите педальный клапан, чтобы перекрыть поток воды.

Заглушите двигатель, как указано в руководстве по эксплуатации двигателя, и нажмите педальный клапан, чтобы сбросить давление в системе. Запрещается оставлять систему под давлением. При необходимости замените насадку и продолжайте очистку в соответствии с описанным выше процессом. Для завершения очистки магистрали рекомендуется несколько раз прочистить ее.

По окончании очистки и выключения гидродинамической машины снимите насадку и откройте впускной питательный вентиль, чтобы промыть насос и шланг. При эксплуатации гидродинамической машины в холодную погоду незамедлительно слейте воду из системы, во избежание замерзания воды и нанесения повреждений системе. Информация о защите от замерзания приведена в разделе "Хранение установки".

### Использование импульсного режима.

Если манипуляций шлангом недостаточно для прохождения изгиба в канализации или засора, следует использовать импульсный режим. Импульсный режим создает большой перепад давления воды, который заставляет шланг вибрировать, облегчая продвижение шланга вперед.

1. Поверните рычаг импульсного активатора по часовой стрелке в положение "Pulse" ("Импульс"). В импульсном режиме манометр показывает давление меньше, чем при создании полного давления. Это нормально.

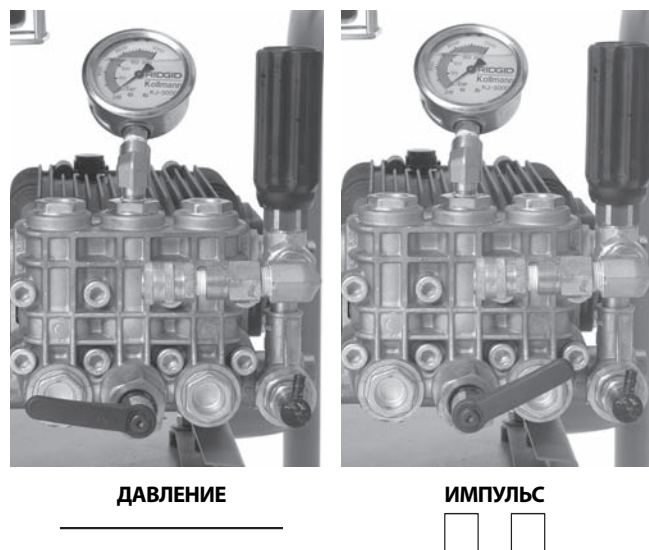


Рис. 16 – Положение рычага импульсного активатора

2. При необходимости производите резкие удары шлангом и вращайте шланг, чтобы облегчить насадке прохождение препятствия.
3. После прохождения препятствия поверните рычаг импульсного активатора против часовой стрелки в положение "Pressure" ("Давление"). Запрещается оставлять гидродинамическую машину в импульсном режиме дольше времени, необходимого для прохождения препятствия. Слишком длительное использование импульсного режима может привести к преждевременному износу шлангов и системы.

### Использование гидродинамической машины в качестве установки для мытья под давлением

Гидродинамические машины RIDGID можно также использовать как установки для мытья под давлением помимо комплектов для промывки под давлением. Использование установки в режиме мытья под давлением аналогично обычному применению гидродинамической установки, и соответствующие инструкции необходимо применять совместно с перечисленными ниже инструкциями.

1. Выберите соответствующую рабочую зону.
2. Удостоверьтесь в полной проверке всего оборудования.
3. Прикрепите к шлангу моющую насадку. Всегда используйте шланг на номинальное давление не ниже номинального давления гидродинамической установки. Чтобы предотвратить течь, используйте герметик для резьбы.

4. Прикрепите шланг к выпускному патрубку гидродинамической машины. Убедитесь, что концы шланга надежно подсоединены и не отсоединились под давлением.
5. Подключите к гидродинамической машине соответствующий источник подачи воды, как было указано выше.
6. Откройте впускной питательный вентиль и нажмите спусковой крючок моющей насадки чтобы открыть поток воды и удалить остатки воздуха из системы. Запрещается запускать двигатель, если не включена подача воды. Это может привести к повреждению насоса.
7. Проверьте, что рычаг импульсного активатора повернут против часовой стрелки в положение "Pressure" ("Давление").
8. Регулировка моющей насадки – Вращая насадку, можно регулировать мощность струи от тонкой струи до широкого конуса разбрызгивания. Потянув насадку вперед, можно уменьшить давление, а потянув ее назад, можно увеличить давление. До начала работы убедитесь, что насадка перемещена назад в положение высокого давления.



Рис. 17 – Регулировка моющей насадки

9. Фиксация моющей насадки – С тыльной стороны спускового крючка моющей насадки имеется фиксатор. Переместите фиксатор вниз, чтобы заблокировать нажатие спусковой кнопки, когда моющая насадка не используется.
10. Когда моющая насадка будет направлена в безопасное место, нажмите спусковую кнопку моющей насадки, чтобы снизить давление и дать возможность запустить двигатель. Запустите двигатель, соблюдая инструкции, указанные в руководстве, поставляемом вместе с двигателем. Прогрейте двигатель. Отпустите спусковую кнопку сразу же после запуска двигателя.
11. Когда моющая насадка будет направлена в безопасное место, нажмите спусковую кнопку моющей насадки. Поверните разгрузочный клапан, контролируя манометр давления, чтобы отрегулировать требуемое давление. Запрещается превышать номинальное давление установки. Отпустите спусковую кнопку моющей насадки.

## Работа установки для мытья под давлением

1. Во время работы установки для мытья под давлением для лучшего управления и направления моющей насадки держите ее обеими руками. Запрещается направлять моющую насадку на людей. Жидкость под высоким давлением может попасть под кожу и причинить серьезную травму. Во избежание поражения электрическим током запрещается направлять моющую насадку на электрическое оборудование или на электропроводку.
2. Регулируйте поток воды спусковым крючком. При работе с установкой для мытья под давлением следует соблюдать осторожность. Приближение насадки слишком близко к поверхности может привести к ее повреждению. Проверьте на небольшой незаметной зоне требуемые настройки установки в работе.
3. Не допускайте работу гидродинамической машины в течение длительного времени с выключенным спусковым крючком. Если педальный клапан выключен, вода циркулирует в насосе, что приводит к ее нагреванию. Это может привести к размыканию реле термозащиты насоса.
4. После завершения процедуры мытья под давлением отпустите спусковой крючок и заглушите двигатель, как указано в руководстве по эксплуатации двигателя. Чтобы сбросить давление в системе, нажмите спусковой крючок. Запрещается оставлять систему под давлением.

## Форсунка для впрыска моющего средства

1. При необходимости прикрепите форсунку для впрыска моющего средства к выпускному патрубку. Снимите выпускной шланг и прикрепите форсунку для впрыска моющего средства так, чтобы изображенная на ней стрелка указывала направление потока воды. Чтобы предотвратить течь, используйте герметик для резьбы. Вновь подсоедините выпускной шланг.
2. Прикрепите шланг сифона к форсунке для впрыска моющего средства. Поместите конец шланга с сетчатым фильтром в емкость с моющим средством. Используйте только моющие средства, предназначенные для применения с установками для мытья под давлением. Выполняйте все инструкции по пользованию моющими средствами. Запрещается разбрызгивать горючие жидкости или токсичные химикаты. Другие моющие средства, растворители, очистители и пр. могут вывести из строя гидродинамическую машину или причинить серьезную травму.

3. При осуществлении мытья под давлением моющие средства подаются, только когда моющая насадка установлена в режим низкого давления. Переместите насадку вперед в положение низкого давления, чтобы подавать моющее средство.
4. Во время работы скорость подачи моющего средства можно регулировать поворотом втулки на форсунке для впрыска моющего средства. Поворот против часовой стрелки увеличивает количество подаваемого моющего средства, а поворот по часовой стрелке - уменьшает его.
5. После завершения подачи моющего средства извлеките сетчатый фильтр из моющего средства, поместите его в ведро с чистой водой и промойте систему от остатков моющего средства.

## Инструкции по техническому обслуживанию

### ▲ ВНИМАНИЕ

**Перед выполнением любых операций технического обслуживания, выключатель двигателя должен находиться в выключенном положении, а провода свечей зажигания следует отсоединить во избежание случайного запуска двигателя. Нажмите педальный клапан или спусковой крючок моющей насадки, чтобы сбросить давление любой жидкости, находящейся в системе.**

**При выполнении любых работ по техническому обслуживанию для защиты от бактерий и химикатов, содержащихся в канализации, всегда следует надевать защитные очки и перчатки.**

### Чистка

Чистку шланга следует проводить по мере необходимости горячей водой с мылом и/или дезинфицирующими средствами. Не следует допускать попадания воды в двигатель или на электрическую систему. Запрещается выполнять чистку с помощью установки для мытья под давлением. Установку следует протереть влажной тряпкой.

### Двигатель

Техническое обслуживание двигателя следует выполнять так, как указано в руководстве по эксплуатации двигателя, которое поставляется вместе с установкой.

### Смазка насоса

Перед применением проверьте уровень масла в насосе. Разместите гидродинамическую машину на ровной поверхности. Протрите и удалите грязь и мусор из зоны расположения штыкового указателя уровня масла, извлеките штыковой указатель уров-

ня и проверьте уровень масла. При необходимости долейте масло SAE 30W без моющих присадок. Не заливайте излишнее количество масла. Установите на место штыковой указатель уровня масла.

Заменяйте масло в насосе вначале через 50 часов работы, а затем через каждые 500 часов работы. После прогрева насоса в рабочем режиме выверните пробку внизу насоса и слейте масло в подходящую емкость. Установите на место пробку. Залейте приблизительно 32 унции / 0,9 кг масла SAE 30W без моющих присадок, проверьте уровень масла в соответствии с указанной выше процедурой.

### Смазка редуктора

Перед применением проверьте уровень масла в редукторе. Разместите гидродинамическую машину на ровной поверхности. Протрите и удалите грязь и мусор из зоны расположения штыкового указателя уровня масла, извлеките штыковой указатель уровня и проверьте уровень масла. При необходимости долейте трансмиссионное масло SAE 90W. Не заливайте излишнее количество масла. Установите на место штыковой указатель уровня масла.

Заменяйте масло в редукторе через каждые 500 часов работы. После прогрева редуктора в рабочем режиме выверните пробку внизу редуктора и слейте масло в подходящую емкость. Установите на место пробку. Залейте приблизительно 8 унций / 0,2 кг трансмиссионного масла SAE 90W, проверьте уровень масла в соответствии с указанной выше процедурой.

### Подготовка насоса к хранению в зимнее время

**ПРЕДУПРЕЖДЕНИЕ** Если гидродинамическая машина будет храниться в условиях, при которых температура составит 32°F / 0°C или ниже, то ее следует надлежащим образом подготовить к хранению. При замерзании воды в насосе он может быть поврежден.

Существуют два метода подготовки гидродинамической машины к хранению в зимних условиях. Первый заключается в открывании всех вентилях системы и в принудительном удалении остатков воды из системы сжатым воздухом. Такой метод также можно использовать для удаления воды из шлангов.

Второй метод заключается в использовании RV-антифриза (не содержащего этилен-гликоль) В насосе гидродинамической машины запрещается использовать антифриз, содержащий этилен-гликоль. В системах канализации запрещается применять этилен-гликоль.

1. Присоедините отрезок шланга длиной 3 фута / 90 см к впускному питательному вентилю и откройте вентиль.
2. Поместите конец шланга в емкость с RV-антифризом.
3. Снимите насадку с конца шланга.
4. Запустите гидродинамическую машину и дайте ей поработать до тех пор, пока антифриз не начнет выходить из конца шланга.

## Дополнительные принадлежности

### ⚠ ВНИМАНИЕ

Для снижения риска тяжелой травмы, используйте только дополнительные принадлежности, специально созданные и рекомендованные к использованию с гидродинамической машиной RIDGID, например, с перечисленными ниже. Иные принадлежности, подходящие для работы с другими инструментами, могут быть опасны при использовании с гидродинамическими машинами RIDGID.

## Насадки и шланги гидродинамической машины KJ-2200

№ по кат.	Модель №	Описание	Внутр. диам. шланга, дюймов / мм	Наружн. диам. шланга, дюймов / мм
64772	H-61	Реактивная насадка	$\frac{1}{8}$ " / 3,2 мм NPT	
64777	H-62	Проникающая насадка	Подходит к шлангу $\frac{1}{4}$ " / 6,4 мм	
64782	H-64	Насадка для прохождения изгибов		
82842	H-65	Вращающаяся насадка 2200		
64787	H-71	Реактивная насадка	$\frac{1}{4}$ " / 6,4 мм NPT	
64792	H-72	Проникающая насадка	Подходит к шлангу $\frac{1}{2}$ " / 13 мм	
82852	H-75	Вращающаяся насадка 2200		
47592	H-1425	$\frac{1}{4}$ " x 25' / 6,4 мм x 7,6 м	$\frac{3}{16}$ / 4,8	$\frac{1}{4}$ / 6,4
47597	H-1435	$\frac{1}{4}$ " x 35' / 6,4 мм x 10,7 м	$\frac{3}{16}$ / 4,8	$\frac{1}{4}$ / 6,4
47602	H-1450	$\frac{1}{4}$ " x 50' / 6,4 мм x 15,2 м	$\frac{1}{4}$ " / 6,4 мм шланг для сифона	$\frac{1}{4}$ / 6,4
49272	H-1475	$\frac{1}{4}$ " x 75' / 6,4 мм x 22,9 м	Оранжевый	$\frac{3}{16}$ / 4,8
49277	H-1400	$\frac{1}{4}$ " x 100' / 6,4 мм x 30,5 м		$\frac{3}{16}$ / 4,8
64732	H-1415	$\frac{1}{4}$ " x 150' / 6,4 мм x 45,7 м		$\frac{3}{16}$ / 4,8
50002	HL-1	Гибкая направляющая, $\frac{1}{4}$ " / 6,4 мм	$\frac{1}{8}$ / 3,2	$\frac{3}{16}$ / 4,8
50007	HL-2	Гибкая направляющая, $\frac{1}{2}$ " / 13 мм	$\frac{1}{8}$ / 3,2	$\frac{3}{16}$ / 4,8
47607	H-1250	$\frac{1}{2}$ " x 50' / 13 мм x 15,2 м	$\frac{1}{4}$ / 6,4	$\frac{1}{2}$ / 13
47612	H-1275	$\frac{1}{2}$ " x 75' / 13 мм x 22,9 м	$\frac{1}{4}$ / 6,4	$\frac{1}{2}$ / 13
47617	H-1200	$\frac{1}{2}$ " x 100' / 13 мм x 30,5 м	$\frac{1}{4}$ / 6,4	$\frac{1}{2}$ / 13
51587	H-1211	$\frac{1}{2}$ " x 110' / 13 мм x 33,5 м	$\frac{1}{2}$ " / 13 мм струйный шланг	$\frac{1}{4}$ / 6,4
49487	H-1215	$\frac{1}{2}$ " x 150' / 13 мм x 45,7 м	Черный	$\frac{1}{4}$ / 6,4
51597	H-1220	$\frac{1}{2}$ " x 200' / 13 мм x 61 м		$\frac{1}{4}$ / 6,4

## Дополнительные принадлежности гидродинамической машины KJ-2200

№ по кат.	Модель №	Описание
62882	H-5	Малогабаритная катушка для шланга (без шланга)
64737	H-30	H-30 тележка с катушкой для шланга
62877	H-30 WH	H-30 тележка с катушкой для шланга и 110' / 33,5 м x $\frac{1}{2}$ " / 13 мм струйный шланг
64077	HP-22	Комплект для мытья под давлением, KJ-2200
64767	HW-22	Моющая насадка, KJ-2200
51572	H-1235	Шланг моющей насадки $\frac{1}{2}$ " / 13 мм x 35' / 10,7 м
48157	FV-1	Педальный клапан
66732	HF-4	Шланг быстрого соединения
48367	H-25	Комплект для хранения в зимних условиях
47542	H-21	Инструмент для прочистки насадки
67187	H-32	Струйная насадка Jet Vac



## Насадки и шланги гидродинамической машины KJ-3100

№ по кат.	Мо-дель №	Описание	Внутр. диам. шланга, дюймов / мм	Наружн. диам. шланга, дюймов / мм
38698	H-101	Реактивная насадка	$\frac{1}{8}$ " / 3,2 мм NPT	
38713	H-102	Проникающая насадка	Подходит к шлангу $\frac{1}{4}$ " / 6,4 мм	
38703	H-104	Насадка для прохождения изгибов		
38723	H-105	Вращающаяся насадка	$\frac{1}{8}$ " / 3,2 мм NPT	
38693	H-111	Реактивная насадка	$\frac{1}{4}$ " / 6,4 мм NPT	
38708	H-112	Проникающая насадка	Подходит к шлангу $\frac{3}{8}$ " / 9,5 мм	
38718	H-1155	Вращающаяся насадка	$\frac{1}{4}$ " / 6,4 мм NPT	
16713	На-сад-ка RR3000	Насадка для корней		
47592	H-1425	$\frac{1}{4}$ " / 6,4 мм x 25' / 7,6 м шланг для сифона	$\frac{3}{16}$ / 4,8	$\frac{1}{4}$ / 6,4
47597	H-1435	$\frac{1}{4}$ " / 6,4 мм x 35' / 10,7 м шланг для сифона	$\frac{3}{16}$ / 4,8	$\frac{1}{4}$ / 6,4
47602	H-1450	$\frac{1}{4}$ " / 6,4 мм x 50' / 15,2 м Оранжевый шланг для сифона	$\frac{3}{16}$ / 4,8	$\frac{1}{4}$ / 6,4
49272	H-1475	$\frac{1}{4}$ " / 6,4 мм x 75' / 22,9 м шланг для сифона	$\frac{3}{16}$ / 4,8	$\frac{1}{4}$ / 6,4
49277	H-1400	$\frac{1}{4}$ " / 6,4 мм x 100' / 30,5 м шланг для сифона	$\frac{3}{16}$ / 4,8	$\frac{1}{4}$ / 6,4
64732	H-1415	$\frac{1}{4}$ " / 6,4 мм x 150' / 45,7 м шланг для сифона	$\frac{3}{16}$ / 4,8	$\frac{1}{4}$ / 6,4
64827	H-3835	$\frac{3}{8}$ " / внутр. диам. 9,5 мм x 35' / 10,7 м мойущий шланг	$\frac{3}{8}$ / 9,5	$\frac{5}{8}$ / 16
64832	H-3850	$\frac{3}{8}$ " / внутр. диам. 9,5 мм x 50' / 15,2 м струйный/мойущий шланг	$\frac{3}{8}$ / 9,5	$\frac{5}{8}$ / 16
64837	H-3810	$\frac{3}{8}$ " / внутр. диам. 9,5 мм x 100' / 30,5 м струйный шланг	$\frac{3}{8}$ / 9,5	$\frac{5}{8}$ / 16
64842	H-3815	$\frac{3}{8}$ " / внутр. диам. 9,5 мм x 150' / 45,7 м Черный струйный шланг	$\frac{3}{8}$ / 9,5	$\frac{5}{8}$ / 16
64847	H-3820	$\frac{3}{8}$ " / внутр. диам. 9,5 мм x 200' / 61 м струйный шланг	$\frac{3}{8}$ / 9,5	$\frac{5}{8}$ / 16
64852	H-3825	$\frac{3}{8}$ " / внутр. диам. 9,5 мм x 250' / 76,2 м струйный шланг	$\frac{3}{8}$ / 9,5	$\frac{5}{8}$ / 16
64857	H-3830	$\frac{3}{8}$ " / внутр. диам. 9,5 мм x 300' / 91,4 м струйный шланг	$\frac{3}{8}$ / 9,5	$\frac{5}{8}$ / 16

## Дополнительные принадлежности гидродинамической машины KJ-3100

№ по кат.	Модель №	Описание
62882	H-5	Малогобаритная катушка для шланга
64862	H-38	Катушка для шланга (подходит к KJ-3100)
64902	H-38 WH	Катушка для шланга со шлангом 200' / 61 м x $\frac{3}{8}$ " / 9,5 мм внутр. диам. шланга (подходит к KJ-3100)
64797	HW-30	Мойущая насадка, KJ-3100
48367	H-25	Комплект для хранения в зимних условиях
48157	FV-1	Педальный клапан
66732	HF-4	Шланг быстр. соед. (от катушки до педального клапана)
47542	H-21	Инструмент для прочистки насадки
67187	H-32	Струйная насадка Jet Vac

## Хранение установки

**⚠ ВНИМАНИЕ** Храните гидродинамическую машину в хорошо проветриваемой зоне, защищенной от дождя и снега. Установку надлежит хранить в запираемом помещении, недоступном для детей и людей, которые не знакомы с гидродинамическими машинами. Эта установка может нанести серьезные травмы в руках неквалифицированных пользователей. Сведения о хранении установки в зимних условиях содержатся в разделе "Техническое обслуживание". Конкретная информация о хранении двигателя представлена в руководстве по эксплуатации двигателя.

## Обслуживание и ремонт

**⚠ ВНИМАНИЕ**  
**Неправильное обслуживание или ремонт могут привести к небезопасной работе установки.**

В разделе "Инструкции по техническому обслуживанию" рассматривается большинство операций обслуживания этой установки. Любые неисправности, не рассмотренные в этом разделе, должен устранять только уполномоченный техник по обслуживанию RIDGID.

Установку следует направить в независимый авторизованный сервис-центр RIDGID или вернуть на завод-изготовитель.

Для получения информации о ближайшем независимом сервис-центре RIDGID, обслуживании или ремонте:

- Обратитесь к местному дистрибьютору RIDGID.
- Чтобы найти контактный телефон местного дистрибьютора RIDGID, войдите на сайт [www.RIDGID.com](http://www.RIDGID.com) или [www.RIDGID.ru](http://www.RIDGID.ru) в сети Интернет.
- Обратитесь в Отдел технического обслуживания RIDGID по адресу [rtctechservices@emerson.com](mailto:rtctechservices@emerson.com), в США и Канаде вы также можете позвонить по телефону (800) 519-3456.

## Утилизация

Детали гидродинамической машины содержат ценные материалы и могут быть подвергнуты повторной переработке. В своем регионе вы можете найти компании, специализирующиеся на утилизации. Утилизируйте компоненты в соответствии со всеми действующими правилами. Узнайте дополнительную информацию в местной организации по утилизации отходов.



**Для стран ЕС:** Не утилизируйте электрооборудование вместе с бытовыми отходами!

В соответствии с Директивой 2002/96/ЕС по утилизации электрического и электронного оборудования, электрическое оборудование, не пригодное для дальнейшего использования, следует собирать отдельно и утилизировать безопасным для окружающей среды способом.

## Поиск и устранение неисправностей

ПРОБЛЕМА	ПРИЧИНА	УСТРАНЕНИЕ
Гидродинамическая машина работает, но не создает давление или создает только небольшое давление.	Недостаточная подача воды.	Убедитесь, что кран подачи воды <b>открыт</b> . Убедитесь, что впускной питательный вентиль воды гидродинамической машины <b>открыт</b> . Убедитесь, что шланг подачи воды чистый, не имеет перегибов или повреждений.
При запуске гидродинамической машины не выполняется регулировка на полное рабочее давление.	В систему попал воздух.	Снимите насадку со струйного шланга и дайте гидродинамической машине поработать, чтобы удалить воздух/мусор из системы.
Манометр гидродинамической машины показывает скачки давления от 500 до полного рабочего давления.	Закупорены струйные отверстия насадки гидродинамической машины. Закупорены струйные отверстия насадки гидродинамической машины.	Снимите насадку и очистите отверстия специальным инструментом для чистки насадки. Снимите насадку. Для чистки отверстий насадки используйте инструмент для чистки насадки: выберите надлежащий диаметр проволоки и полностью прочистите каждое струйное отверстие насадки для удаления мусора.
	В систему попал мусор или воздух.	Снимите насадку и вставьте струйный шланг в канализационный трубопровод. Дайте гидродинамической машине поработать, чтобы промыть мусор и удалить воздух.

# Su Jetleri

## KJ-2200/KJ-3100 Su Jetleri



KJ-3100



KJ-2200

### ⚠ UYARI!

Bu makineyi kullanmadan önce Kullanıcı Kılavuzunu dikkatlice okuyun. Bu kılavuzun içeriğinin anlaşılmasında ve ona uyulmaması elektrik çarpması, yangın ve/veya ağır kişisel yaralanmalara yol açabilir.

### KJ-2200/KJ-3100 Su Jetleri

Aşağıdaki Seri Numarasını kaydedin ve isim levhasındaki ürün seri numarasını muhafaza edin.

Seri No.

## İçindekiler

<b>Makine Seri Numarası için Kayıt Formu</b> .....	429
<b>Güvenlik Sembolleri</b> .....	431
<b>Genel Güvenlik Kuralları</b> .....	431
Çalışma Alanı Güvenliği.....	431
Elektrik Güvenliği.....	431
Kişisel Güvenlik.....	431
Kullanım ve Bakım.....	432
Servis.....	432
<b>Su Jeti Güvenlik Uyarıları</b> .....	432
<b>Açıklama, Teknik Özellikler ve Standart Ekipman</b> .....	433
Açıklama.....	433
Özellikler.....	434
Simgeler.....	434
Standart Ekipman.....	434
<b>Makine Montajı</b> .....	434
Motor Yağı.....	434
Pompa/Vites Kutusu Yağı.....	434
KJ-2200 Taşıma Arabası.....	435
KJ-3100 Sap Tertibatı.....	435
<b>Çalışma Öncesi Kontrol</b> .....	435
<b>Makine ve Çalışma Alanının Hazırlanması</b> .....	437
Su Kaynağı.....	438
Kanal Hazırlama.....	438
Hortum Hazırlama.....	439
JET HORTUMU SEÇME ÇİZELGESİ.....	440
JET NOZÜLÜ SEÇME ÇİZELGESİ.....	440
<b>Kullanım Talimatları</b> .....	441
Kanala Su Püskürtme.....	442
Darbe Modunu Kullanma.....	443
Su Jeti Makinesini Basınçlı Yıkayıcı Olarak Kullanma.....	444
Basınçlı Yıkayıcının Çalıştırılması.....	444
Deterjan Enjektörü.....	445
<b>Bakım Talimatları</b> .....	445
Temizleme.....	445
Motor.....	445
Pompa Yağlama.....	445
Vites Kutusu Yağlama.....	445
Pompayı Soğuk Havada Saklamak için Hazırlama.....	445
<b>Aksesuarlar</b> .....	446
<b>Makinenin Saklanması</b> .....	447
<b>Bakım ve Onarım</b> .....	447
<b>Elden Çıkarma</b> .....	447
<b>Sorun Giderme</b> .....	448
<b>Ömür Boyu Garanti</b> .....	Arka Kapak

\* Orijinal kılavuzun çevirisidir



## Güvenlik Sembolleri

Bu kullanıcı kılavuzunda ve ürün üzerinde güvenlik sembolleri ve uyarı kelimeleri önemli güvenlik bilgilerini bildirmek için kullanılmıştır. Bu kısım, bu uyarı kelimelerinin ve sembollerin daha iyi anlaşılması için sunulmuştur.



Bu güvenlik uyarı sembolüdür. Sizi potansiyel kişisel yaralanma tehlikesine karşı uyarmak için kullanılır. Muhtemel yaralanma veya ölümden sakınmak için bu sembolü izleyen tüm güvenlik mesajlarına uyun.

### ⚠ TEHLİKE

TEHLİKE sakınılmadığı takdirde ölüm veya ciddi yaralanmayla sonuçlanacak tehlikeli bir durumu gösterir.

### ⚠ UYARI

UYARI sakınılmadığı takdirde ölüm veya ciddi yaralanmayla sonuçlanabilecek tehlikeli bir durumu gösterir.

### ⚠ DİKKAT

DİKKAT sakınılmadığı takdirde küçük veya orta derece yaralanmaya yol açabilecek tehlikeli bir durumu gösterir.

### BİLDİRİM

BİLDİRİM eşyanın korunmasıyla ilgili bilgileri gösterir.



Bu sembol yaralanma riskini azaltmak için ekipmanı kullanmadan önce kullanıcı kılavuzunun dikkatlice okunması gerektiği anlamına gelir. Kullanıcı kılavuzu ekipmanın güvenli ve düzgün kullanımına dair önemli bilgiler içerir.



Bu sembol göz yaralanması riskini azaltmak için ekipmanı taşıırken veya kullanırken daima yan korumaları olan güvenlik gözlükleri veya koruyucu gözlüklerin takılması gerektiğini gösterir.



Bu sembol vücut parçalarına yöneltilen, cilt delinmesi ve enjeksiyon yaralanmalarına neden olan yüksek basınçlı su riskinin olduğunu belirtir.



Bu sembol jet hortumunun darbe veya enjeksiyon yaralanmalarına neden olan jet hortumunun çarpma riskinin olduğunu belirtir.



Bu sembol bulantı, bayılma veya ölüme neden olan karbon monoksit solunması riskinin olduğunu belirtir.



Bu sembol, yanıklara ve diğer yaralanmalara neden olan, benzin veya başka kaynaklardan kaynaklanan yangın ve patlama riskinin olduğunu belirtir.

## Genel Güvenlik Kuralları

### ⚠ UYARI

**Tüm talimatlarını okuyun ve kavrayın. Aşağıda listelenen talimatların tümüne uyulmaması elektrik çarpması, yangın ve/veya ciddi yaralanmalara yol açabilir.**

### BU TALİMATLARI SAKLAYIN!

### Çalışma Alanı Güvenliği

- **Çalışma alanının temiz ve iyi aydınlatılmış olmasını sağlayın.** Dağınık tezgahlar ve karanlık alanlar kazalara yol açabilir.
- **Elektrikli aletleri alev alabilen sıvıların, gazların ya da tozların olduğu patlayıcı atmosferlerde kullanmayın.** Elektrikli aletler toz ya da gazları tutuşturabilecek kıvılcımlar üretebilirler.
- **Elektrikli bir makineyi kullanırken, yakında bulunan kişileri, çocukları ve ziyaretçileri uzakta tutun.** Dikkatinizi dağıtan şeyler kontrolü kaybetmenize sebep olabilir.

### Elektrik Güvenliği

- **Borular, radyatörler, ocaklar ve buzdolapları gibi topraklanmış yüzeylere temas etmekten kaçının.** Vücudunuzun topraklanması durumunda elektrik çarpma riski artar.

### Kişisel Güvenlik

- **Dikkatli olun, ne yaptığınıza dikkat edin ve elektrikli alet kullanırken sağduyunuzu kullanın. Yorgunken ya da uyuşturucu, alkol veya ilaçların etkisindeyken makine kullanmayın.** Elektrikli aletlerin kullanımı sırasında bir anlık dikkatsizlik ağır kişisel yaralanmalara yol açabilir.
- **Uygun giyinin. Bol giysiler giymeyin ve takı takmayın. Buna uzun saç da dahildir. Saçınızı, giysilerinizi ve eldivenlerinizi hareket eden parçalardan uzak tutun.** Bol giysiler, takılar ya da uzun saçlar hareket eden parçalar tarafından kapılabilir.
- **Aşırı zorlamadan kullanın. Her seferinde uygun düzeyde ve dengede kullanın.** Uygun düzey ve denge, beklenmeyen durumlarda aletin daha iyi kontrol edilebilmesini sağlar.
- **Emniyet ekipmanı kullanın. Daima koruyucu gözlük takın.** Yaralanmaları azaltmak için uygun durum-

larda toz maskesi, kaymayan güvenlik ayakkabıları, kask ve kulak korumaları kullanılmalıdır.

### Kullanım ve Bakım

- **Makineyi zorlamayın. Yapacağınız işe uygun makine kullanın.** Doğru makine işinizi uygun tasarlandığı oranda iyi ve güvenli şekilde yapar.
- **Elektrikli aleti eğer anahtarı AÇIP KAPATMIYORSA kullanmayın.** Anahtar ile kontrol edilemeyen aletler tehlikelidir ve tamir edilmelidir.
- **Kullanılmayan makineleri, çocukların ve diğer eğitimsiz kişilerin ulaşamayacağı yerde saklayın.** Aletler eğitimsiz kullanıcıların ellerinde tehlikelidir.
- **Makinelere özenle bakım yapın. Kesme makinelerini keskin ve temiz tutun.** Uygun şekilde bakımı yapılmış keskin uçlu aletlerin takılıp kalma olasılığı düşüktür ve kontrolleri daha kolaydır.
- **Yanlış hizalanmış ya da yanlış bağlanmış hareketli parçaları, arızalı parçaları ve aletin çalışmasını etkileyebilecek diğer durumları kontrol edin. Hasar görmüşse, kullanmadan önce alete bakım yaptırın.** Birçok kaza bakımsız aletlerden kaynaklanır.
- **Sadece, modelinizin üreticisi tarafından makine için tavsiye edilen aksesuarları kullanın.** Aletinize uygun bir aksesuarın, başka bir alet ile kullanılması tehlikeli olabilir.

### Servis

- **Makine bakımı, sadece yetkili tamir personeli tarafından yapılmalıdır.** Ehliyetsiz tamir personeline yapılan servis veya bakım yaralanma riskine neden olabilir.
- **Makine bakımı yaparken, sadece aynı yedek parçaları kullanın. Bu kılavuzun Bakım kısmındaki talimatlara uyun.** Onaylanmamış parçaların kullanımı veya Bakım Talimatlarına uyulmaması elektrik çarpması veya yaralanma riskleri oluşturabilir.

### Su Jeti Güvenlik Uyarıları

#### ⚠ UYARI

Bu bölüm makineye özel önemli güvenlik bilgileri içerir.

**Elektrik çarpması veya diğer ciddi yaralanma risklerini azaltmak için bu Kanal Temizleme Makinesini kullanmadan önce bu önlemleri dikkatlice okuyun.**

#### TÜM UYARI VE TALİMATLARI GELECEKTE BAŞVURMAK ÜZERE SAKLAYIN!

Operatörün kullanması için bu kılavuzu makinenin yanında bulundurun.

- **Jeti, hortum ucu kanalın dışında olacak şekilde asla çalıştırmayın.** Hortum, şiddetli yaralanmalara neden olacak biçimde çarpabilir ve püsküren sıvı cilde nüfuz edebilir ve ciddi yaralanmaya neden olabilir.
- **Yüksek basınli su cildin altına enjekte edilebilir ve amputasyon dahil ciddi yaralanmalarla sonuçlanabilir.** İnsanlara veya hayvanlara doğrudan püskürtme gerçekleştirmeyin.
- **Jeti, basınç değerinin üzerinde veya 140°F / 60°C'de (giriş suyu sıcaklığı) çalıştırmayın.** Bu, yanık dahil yaralanma ve jetin zarar görme riskini artırır.
- **Su püskürtme işlemini ve emme supabını sadece bir kişi kontrol etmelidir. Daima emme supabını kullanın.** Jet hortumu kanaldan çıkarsa, operatör çarpıcı ve yüksek basınçlı enjeksiyon yaralanmalarına neden olan jet hortumu çarpması riskini azaltmak için su akışını kesebilmelidir.
- **Kanal temizleme makinesi ile işlem yaparken ve kullanırken her zaman uygun kişisel koruyucu ekipman kullanın.** Tesisat boruları zehirli, bulaşıcı, yanıklara ve diğer sorunlara yol açabilen kimyasallar, bakteriler ve diğer maddeler içerebilir. Uygun kişisel koruyucu ekipmanlar her zaman güvenlik gözlükleri ve eldivenleri içerir ve lateks veya lastik eldivenler, yüz koruyucular, koruyucu gözlükler, koruyucu elbiseler, solunum cihazları ve çelik uçlu ayakkabılar içerebilir.
- **İyi hijyen koşullarını sağlayın. Kanal temizleme ekipmanını kullandıktan sonra ellerinizi ve vücudunuzun kanal içindeki maddelere maruz kalan bölgelerini yıkamak için sıcak ve sabunlu su kullanın.** Kanal temizleme ekipmanını kullanırken herhangi bir şey yemeyin veya sigara içmeyin. Bu sayede zehirli veya bulaşıcı malzemelerle bulaşmanın önüne geçilir.
- **Toksik veya yanabilen sıvıları püskürtmeyin.** Bu yanık, yangın, patlama veya diğer yaralanma risklerini azaltır.
- **Benzin ve buharları yüksek derecede yanıcıdır ve patlayıcıdır.** Benzin kullanılırken, yanık, patlama ve ciddi yaralanma riskini azaltma önlemleri için motor kılavuzuna bakın.
- **Motorlar, renksiz, kokusuz zehirli bir gaz olan karbon monoksit üretir. Karbon monoksit solumak bulantıya, bayılmaya veya ölüme neden olabilir.** Kapılar ve pencereler açık olsa bile, motoru kapalı bir alanda çalıştırmayın. Yalnızca dışarıda çalıştırın.
- **Sıcak yüzeyler yanıklara ve yangına neden olabilir.** Organlarınızı ve yanabilir malzemeyi sıcak yüzeylerden uzak tutun.

- **Çalıştırmadan önce bu kılavuzu, motor kılavuzunu ve bu cihazla kullanılan tüm donanımlara dair uyarıları ve talimatları okuyun.** Talimatların tümüne uyulmaması maddi hasara ve/veya ciddi kişisel yaralanmalara yol açabilir.

Gerektiğinde, AT uyumluluk beyanı (890-011-320.10) ayrı bir kitapçık olarak, bu kılavuzun yanında yer alır.

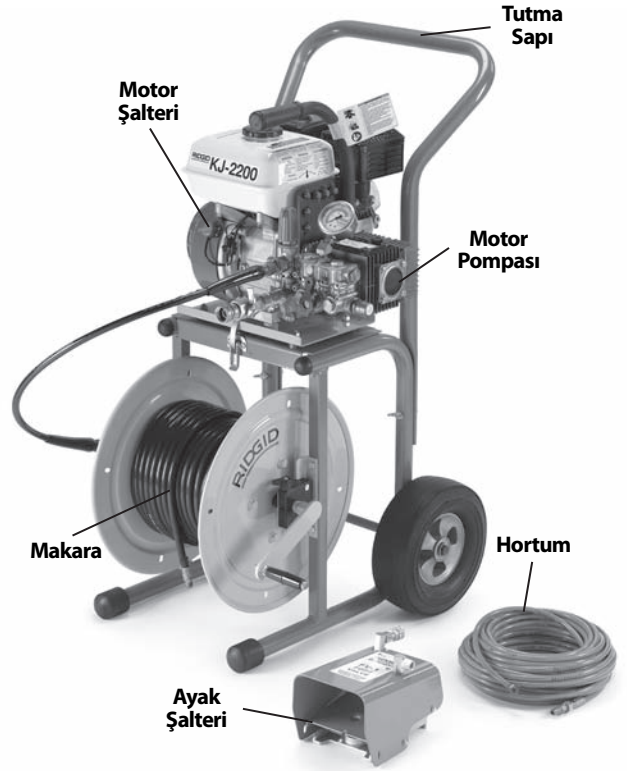
Bu RIDGID® ürünü ile ilgili sorularınız için:

- Bulduğunuz bölgedeki RIDGID bayisi ile iletişim kurun.
- Yerel RIDGID irtibat noktasının iletişim bilgilerine erişmek için [www.RIDGID.com](http://www.RIDGID.com) veya [www.RIDGID.eu](http://www.RIDGID.eu) adresini ziyaret edin.
- RIDGID Teknik Servis Departmanı ile iletişim kurmak için [rtctechservices@emerson.com](mailto:rtctechservices@emerson.com) adresine yazın veya ABD ve Kanada'da (800) 519-3456 numaralı telefonu arayın.

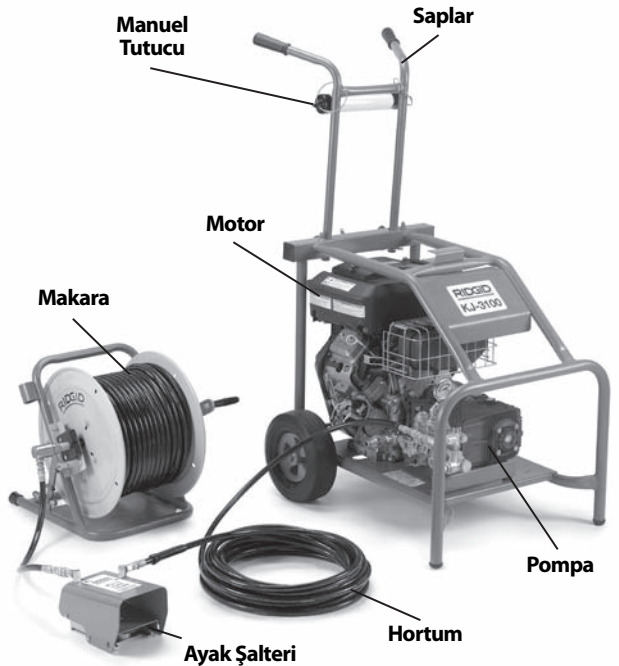
## Açıklama, Teknik Özellikler ve Standart Ekipman

### Açıklama

RIDGID® Motorlu Su Jetleri, kanallardan gres, çamur, tortu ve kökleri temizlemek için suyun basıncı ve akışının kombinasyonundan faydalanarak tasarlanmış yüksek basınçlı su jetleridir. Yüksek derecede esnek ve hafif bir hortum jet nozülündeki ters jetler ile boruya doğrultusunda itilir ve geriye doğru çekilmeye başlandığında borudaki birikintileri yıkayarak uzaklaştırır. Darbe aktivasyonu ile birlikte, zor dirseklerden döner ve kıvrımlarda daha kolay çalışılır. Tüm makineler üçlü dalgıç pompasını çalıştırmak için benzin motoru ile donatılmıştır.



Şekil 1 – KJ-2200 Su Jeti



Şekil 2 – KJ-3100 Su Püskürtme Jeti



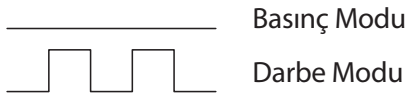
Şekil 3 – Makine Seri Numarası

Makine seri numarası çerçevenin yan tarafında bulunur. Son dört hane üretim ayını ve yılını gösterir. (08 = ay, 10 = yıl).

### Özellikler

Jet Modeli	Motor H.P.	Basınç PSI / bar
KJ-2200	6.5/6,5	2200 / 150
KJ-3100	16	3000 / 205
Akış Hızı GPM / litre	Kanal Boru Kapasitesi inç / mm	Ağırlık (Hortum Makarası olmadan) lbs / kg
2.4 / 9	1 1/4 - 6 / 32 - 152	65 / 30
5.5 / 20	2 - 10 / 50 - 250	262 / 119

### Simgeler



### Standart Ekipman

Tüm Jetler şunlara sahiptir

- Uygun Jet Nozülleri
- Nozül Yıkama Aleti
- FV-1 Emme Supabı
- Motor Kullanma Kılavuzu

Her bir katalog numarası ile sunulan spesifik donanımlar için RIDGID kataloğuna bakın.

**BİLDİRİM** Bu makine kanalları temizlemek için yapılmıştır. Doğru şekilde kullanılırsa iyi durumda olan ve doğru şekilde tasarlanmış, üretilmiş ve bakımı yapılmış bir kanala hasar vermez. Kanal kötü durumdaysa veya doğru şekilde tasarlanmamış, üretilmemiş veya bakımı yapılmamışsa kanal temizleme işlemi etkin olmayabi-

lir veya kanalda hasara neden olabilir. Temizlemeden önce bir kanalın durumunu belirlemenin en iyi yolu, bir kamerayla ön inceleme yapmaktır. Bu su jetinin yanlış kullanılması, su jetine ve kanala hasar verebilir. Bu makine tüm tıkanıklıkları temizlemeyebilir.

### Makine Montajı

#### ⚠ UYARI

**Kullanım sırasında ciddi yaralanmaları ve makine hasarını önlemek için, düzgün montaj açısından şu prosedürleri takip edin.**

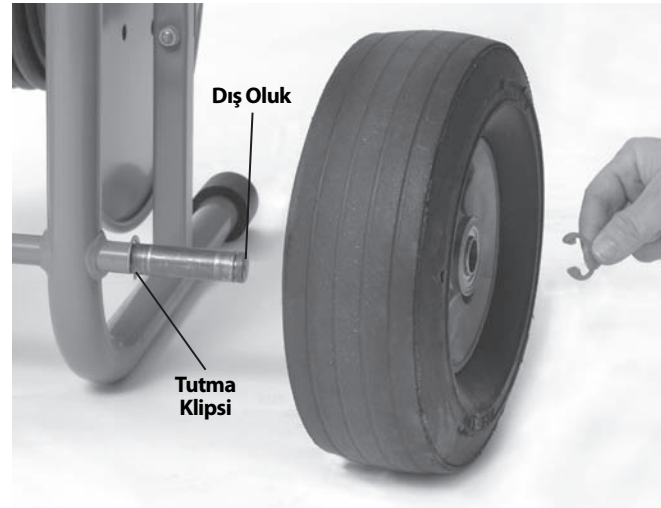
#### Motor Yağı

**BİLDİRİM** Jet, motorda yağ olmadan gönderilir. Motorun yağsız çalıştırılması motor arızasına neden olacaktır. Çalıştırmadan önce yağ ekleyin. Yağ ekleme ve yağ seçimine dair spesifik bilgiler için sunulan motor kullanma kılavuzuna bakın.

#### Pompa/Vites Kutusu Yağı

**Pompa:** Pompanın üst kısmındaki tıpayı değiştirin ve ölçme çubuğu/havalandırma kapağı ile değiştirin. Jeti tıpa yerine takılıyken çalıştırmak pompa contalarına zarar verebilir. Yağ seviyesini *Bakım Talimatı* kısmına göre kontrol edin.

**Vites Kutusu (Yalnız KJ-3100):** Pompanın üst kısmındaki tıpayı ve ölçme çubuğu/havalandırma kapağı ile değiştirin. Jeti tıpa yerine takılıyken çalıştırmak vites kutusu contalarına zarar verebilir. Yağlayıcı seviyesini *Bakım Talimatı* kısmına göre kontrol edin.



Şekil 4 - KJ-2200 Ünitesi

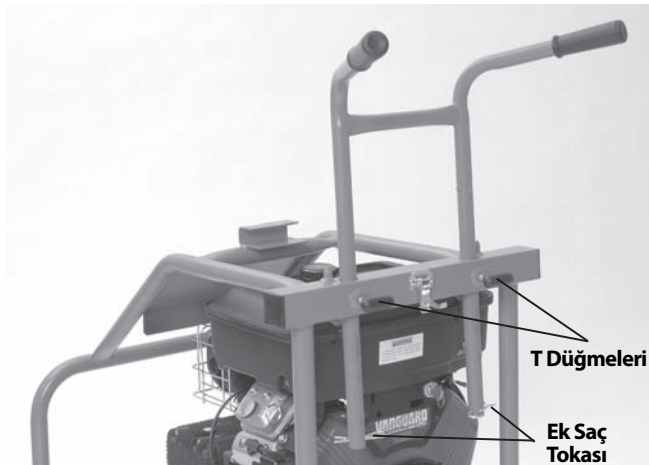


### KJ-2200 Taşıma Arabası

1. Dingil uçlarının her birindeki iç yive tutucu klipsini takın. (Bkz. Şekil 4.)
2. Dingil uçlarının her biri üzerine bir tekerlek geçirin.
3. Tekerleği tutmak için dingil uçlarının her birindeki dış yive tutucu klipsini takın.
4. Sapı çerçeveye takmak için sağlanan taşıma somunlarını ve kelebek somunlarını kullanın.
5. Motor/pompa aksamını, taşıma arabasının üst kısmındaki pimlerle baz plakasındaki deliklere hizalayarak, taşıma arabasına kadar kaldırmak için motoru/pompayı tutmak için taşıma arabasındaki mandalları kullanın. Aksamın güvenli şekilde bağlandığından emin olun.

### KJ-3100 Sap Tertibatı

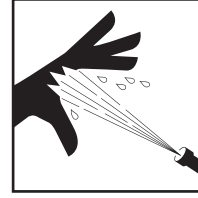
1. Sapı, çerçevenin arka çapraz çubuğundaki iki deliğe takın. (Bkz. Şekil 5.)
2. Sapın dışarı çıkmasını önlemek için sapın alt kısmındaki iki delikten bir saç tokası geçirin.
3. T düğmelerini arka çapraz çubuğa vidalayın. Sapları istenildiği şekilde ayarlayın ve sapı sabitlemek için düğmeleri sıkın.



Şekil 5 – KJ-3100 Sap Ünitesi

### Çalışma Öncesi Kontrol

#### ⚠ UYARI



**Her kullanımdan önce yüksek basınçlı sudan ve diğer sebeplerden kaynaklanabilecek ciddi yaralanma riskini azaltmak ve jetin zarar görmesini önlemek için su jetinizi inceleyin ve her türlü sorunu gidirin.**

**Donanımdaki kimyasal maddeler ve bakterilere karşı koruma için jetinizi incelerken her zaman güvenlik gözlükleri, eldivenler ve diğer uygun koruma ekipmanı kullanın.**

1. Motor şalterinin/anahtarının Kapalı konumda olduğundan emin olun.
2. Tutma yerleri ve kumandalar dahil ekipman üzerindeki her türlü yağ, gres ve kiri gidirin. Bu, incelemeyi kolaylaştırır ve makinenin veya kontrolün elinizden kaymasını önlemeye yardımcı olur.
3. Su jetini ve aksesuarları aşağıdakiler açısından inceleyin:
  - Doğru montaj ve eksiksiz olma.
  - Kırık, aşınmış, eksik, yanlış hizalı, yapışan veya gevşek parçalar:
  - Uyarı etiketlerinin varlığı ve okunabilirliği. (Bkz. Şekil 6.)
  - Güvenli ve normal çalışmayı etkileyebilecek başka her türlü durum.

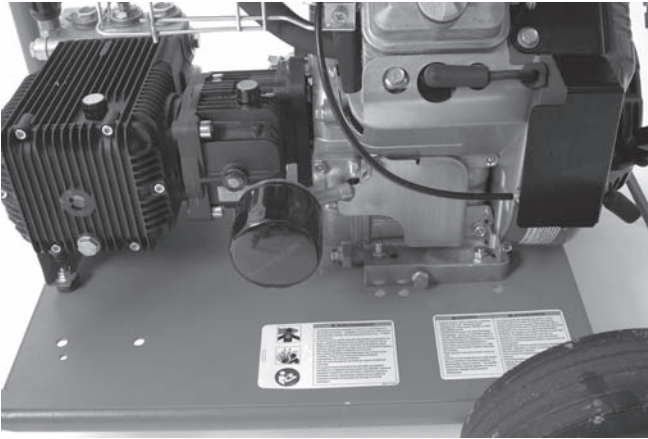
Bir sorunla karşılaşmanız durumunda, sorun giderilene kadar su jetini kullanmayın.



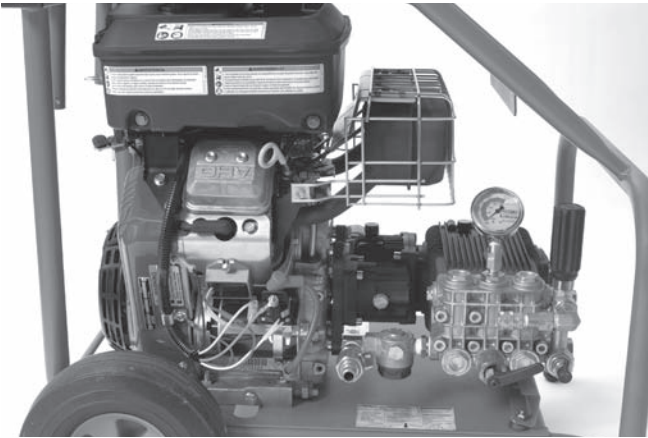
Şekil 6A – KJ-2200 Uyarı Etiketleri



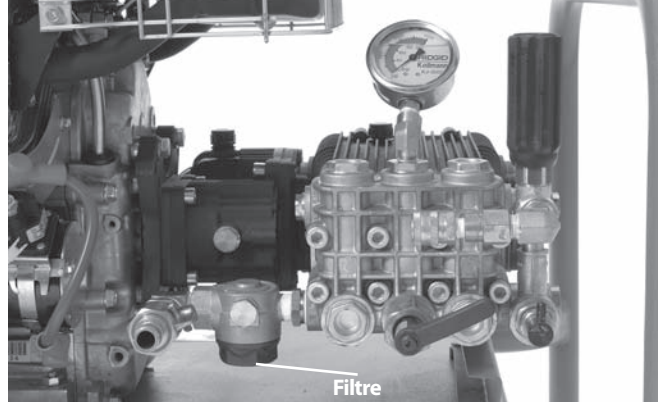
Şekil 6B – KJ-2200 Uyarı Etiketleri



Şekil 6C – KJ-3100 Uyarı Etiketleri



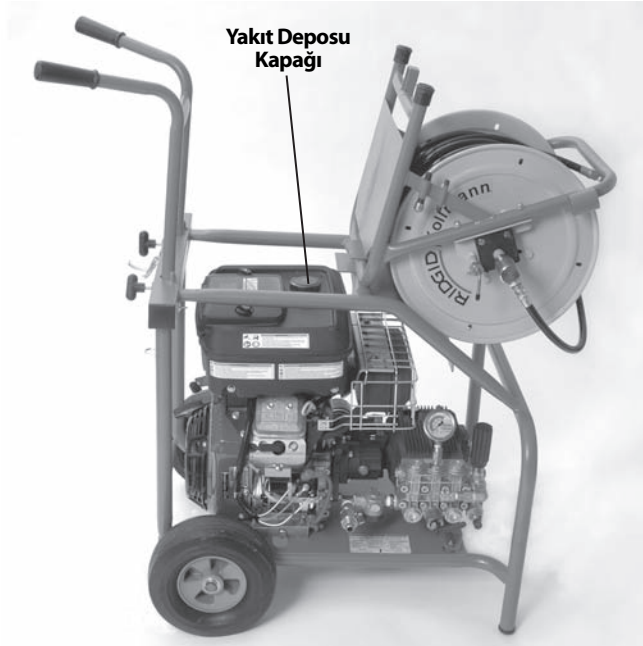
Şekil 6D – KJ-3100 Uyarı Etiketleri



Şekil 7 – Giriş Filtresi/Filtre Pulu

4. Su giriş filtresi/filtre pulunu temizleyin. Temizlik için giriş filtresinin alt kısmındaki kapağın vidasını sökün. Kir ve birikintiler pompaya su akışını kısıtlayabilir ve performans sorunlarına neden olabilir.

5. Herhangi bir hasar veya engellenme açısından jet nozül deliklerini inceleyin. Tıkanıklıklar bir nozül temizleme aleti ile temizlenebilir. Temizlerken nozül orifislerini genişletmemeye dikkat edin. Hasarlı nozüller veya genişlemiş delikler sahip nozüller jet performansını düşürebilir ve bunların değiştirilmesi gereklidir.
6. Hortumları, konektörleri ve bağlantı elemanlarını aşınma ve hasar açısından inceleyin. Hortumun dış kılıfı boyunca herhangi bir bükülme, çatlak, kırılma veya aşınma varsa, hortumu kullanmayın. Hasarlı hortumlar yüksek basınçlı suyu fıskırtabilir veya sızdırabilir ve ciddi yaralanmalara neden olabilir. Yedek hortumlar ve bağlantı elemanları jet basıncında veya ondan daha yüksek bir değerde olmalıdır.
7. Motoru, motor kullanma kılavuzuna göre inceleyin ve bakım yapın.
8. Motor yakıt seviyesini kontrol edin. KJ-3100 için, motor makara mandalını ayırın ve hortum makarasını motor gaz kapağına erişim sağlaması için çerçeveye yerleşene kadar ileriye doğru döndürün Şekil 8. Gerekirse, kurşunsuz benzin ekleyin. Ayrıntılar için motor kullanma kılavuzuna bakın. Benzinle çalışırken dikkatli olun. Yeniden benzin doldurma işlemini iyi havalandırılmış bir yerde yapın. Depoyu aşırı doldurmayın ve yakıtı dışarı taşırmayın. Depo kapağının güvenli şekilde kapatıldığından emin olun.



Şekil 8 – KJ-3100 Yakıt Deposu Erişimi

9. Pompadaki ve vites kutusundaki (varsa) yağ seviyesini kontrol edin ve gerekirse yağ ekleyin (bkz. Bakım Talimatları kısmı).

## Makine ve Çalışma Alanının Hazırlanması

### ⚠ UYARI



**Donanımdaki kimyasal maddeler ve bakterilere karşı koruma için jetinizi hazırlarken her zaman güvenlik gözlükleri, eldivenler ve diğer uygun koruma ekipmanlarını kullanın. Lastik tabanlı kaymaz ayakkabılar ıslak yüzeylerde kaymanın önlenmesine yardımcı olacaktır.**

**Motorlar, renksiz, kokusuz zehirli bir gaz olan karbon monoksit üretir. Karbon monoksit solumak bulantıya, bayılmaya veya ölüme neden olabilir. Kapılar ve pencereler açık olsa bile, motoru kapalı bir alanda çalıştırmayın. Yalnızca dışarıda çalıştırın.**

**Yüksek basınçlı su, kimyasal yanıklar, enfeksiyonlar, karbon monoksit ve diğer sebeplerden kaynaklanabilecek yaralanma riskini azaltmak ve jetin hasar görmesini önlemek için jeti ve çalışma alanını bu prosedürlere göre hazırlayın.**

1. Çalışma alanını aşağıdakiler açısından kontrol edin:
  - Yeterli ışıklandırma.
  - Yanabilir sıvılar, alev alabilir buhar veya tozlar. Alanda böyle bir kaynak olması durumunda tanımlayıp düzeltene kadar çalışma yapmayın. Jet patlamaya karşı korumalı olmayıp kıvılcım oluşturabilir.
  - Operatör ve makine için açık, düz, sabit, sağlam ve kuru bir zemin. Gerekliyorsa çalışma alanındaki suyu temizleyin. Ahşap veya diğer kaplama malzemelerin kenara koyulması gerekebilir.
  - İyi havalandırılmış bir açık hava alanındaki jet konumu. Kapılar ve pencereler açık olsa bile jeti iç ortamlara koymayın. Jet, kullanıldığı noktadan uzağa konumlandırılabilir.
  - Uygun su kaynağı.
  - Konumu hazırlamak üzere jeti aktarmak için yolu temizleyin.
2. Temizlenecek kanalı inceleyin. Mümkünse, kanala erişim noktasını/noktalarını, kanalın uzunluğunu/uzunluklarını, tanklara ve ana hatlara mesafeyi, engelin doğasını, kanal temizleme kimyasallarının veya diğer kimyasalların var olup olmadığını, vs. belirleyin. Kanalda kimyasallar varsa, bu kimyasallarla çalışmak için gereken spesifik güvenlik önlemlerini anlamak önemlidir. Gerekli bilgiler için kimyasalın imalatçısıyla irtibata geçin.

Gerekirse kanala ulaşmak için armatürleri (klozet, vs) çıkartın. Hortumu sabit donatılara beslemeyin. Bu hortuma ve sabit donatılara zarar verebilir.

3. Yapacağınız işe uygun ekipman seçin. Bu jetlere dair bilgiler için *Teknik Özellikler* kısmına bakın. Diğer uygulamalara yönelik kanal temizleme makineleri ve jetler, RIDGID Kataloğundan veya çevrimiçi olarak [www.RIDGID.com](http://www.RIDGID.com) veya [www.RIDGID.eu](http://www.RIDGID.eu) adresinden bulabilirsiniz.
4. Tüm ekipmanı düzgün şekilde kontrol ettiğinizden emin olun.
5. Çalışma alanını kontrol edin ve gerekiyorsa izleyenleri uzakta tutmak için bariyer(ler) yerleştirin. Çalışmayı izleyenler, operatörün dikkatini dağıtabilir. Trafığe yakın çalışıyorsanız sürücülerini uyararak için koniler veya başka bariyerler yerleştirin.
6. Gerekliyorsa çalışma alanına koruyucu kapaklar yerleştirin. Kanal temizleme işlemi pis olabilir.
7. Jeti, temiz yol boyunca açık havada iyi havalandırılan çalışma alanına götürün. Makinenin kaldırılması gerekirse, uygun kaldırma tekniklerini kullanın. Ekipmanı yukarı ve aşağıya hareket ettirirken özen gösterin ve olası kayma tehlikelerinin farkında olun. Kaymaları önlemeye yardımcı olması için uygun ayakkabılar giyin.

## Su Kaynağı

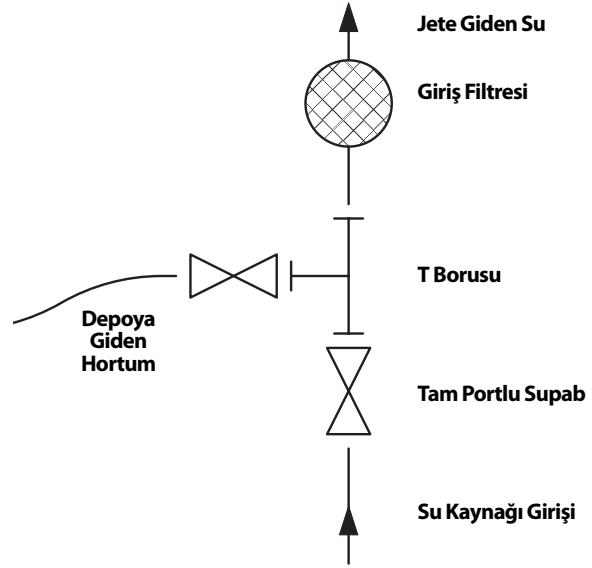
Jet için yeterli su akışı olduğunu onaylayın. Su kaynağından jete bir hortum kullanın. Mümkün olan en geniş çaplı, en kısa uzunluğa sahip hortumu kullanın. Önerilen boyut  $3/4'' / 19 \text{ mm}$  İ.Ç.'li bir hortumdur. Tüm yerel yasalara ve talimatnamelere uyacak şekilde, uygun bir geri akış önleme cihazının kullanılması gereklidir. Kaynakta suyu açın ve temiz beş galonluk bir kovayı doldurmak için gereken süreyi ölçün. *Jetlerin her biri için maksimum kova dolma süreleri için aşağıdaki tabloya bakın.*

Jet	Değer GPM / litre	Maksimum 5 Galon / 18,9 litre Kova Dolma Süresi
KJ-2200	2.4 / 9	125 saniye
KJ-3100	5.5 / 20	55 saniye

Yetersiz su akışı, jetin basınç değerine ulaşmasını önler ve pompaya zarar verebilir. Kovadaki suda kir ve birikinti olup olmadığını inceleyin. Sudaki kir ve birikintiler aşırı pompa aşınmasına neden olabilir, jet filtre nozüllerini tıkayabilir ve performansı düşürebilir. Gölet, göl veya kirli olabilecek diğer kaynaklardan gelen suyu kullanmayın.

Yetersiz su akışı olması durumunda, olası çözümler arasında jete birden çok kaynak hortumunun bağlanması sağlamak için bağlantı elemanlarını kullanmak veya bir deponun kullanılması bulunmaktadır.

Bir depo kullanıldığında, Şekil 9'da gösterildiği gibi su jeti girişine tam portlu supaplı bir t borusu ekleyin. T borusunun çıkışındaki supaba 6 fit / 1,8 m'den daha uzun olmayan  $3/4'' / 19 \text{ mm}$  hortum bağlayın ve su kaynağını t borusunun çalışma noktasına bağlayın. Ya hortum ucunu depoya yerleştirin ya da depo çıkışına bağlayın. Depo hortumunun tüm uzunluğu jet su girişinden  $5'' / 12,7 \text{ cm}$ 'den daha yukarıda olmamalıdır, aksi halde jet depodan su çekmeyecektir.



**Şekil 9 – Bir Depo Kullanıldığı Zaman Su Kaynağı Bağlantıları**

Jeti çalıştırmadan önce depoyu doldurun. Jeti çalıştırırken, depo supabını kapatın. Jet çalıştırıldığında, depo supabını açın. Depo su seviyesini izleyin ve gerekirse, depoyu yeniden doldurmak için püskürtmeyi durdurun. Su seviyesinin hortum ucunun altına düşmesine izin vermeyin.

Daha iyi temizlik için sıcak su kullanılabilir.  $140^{\circ}\text{F} / 60^{\circ}\text{C}$ 'den daha sıcak su kullanmayın, bu açmak için pompanın termik aşırı yüklenmesine neden olabilir. Sıcak su kullanırken, yanık riskini azaltmak için uygun kişisel koruma ekipmanı kullanın.

Soğuk havada kullanırken, suyun pompada donmasını önlemek için önlemler alın. Bunu yapmak pompaya zarar verebilir.

Jetteki giriş kaynak supabının kapalı olduğundan emin olun ve kaynak hortumunu jete bağlayın.

## Kanal Hazırlama

Bir bakım deliğiyle, fırtına ızgarasıyla veya başka geniş erişimli bir elemanla çalışılıyorsa, kanal açıklığından çalıştırma noktasına jet hortumu için bir rehber oluşturmak için boru ve bağlantı elemanlarını kullanın. Bu, jet hortumunun erişim noktasının çevresine çarpmasını önler ve hortumu hasardan korur.



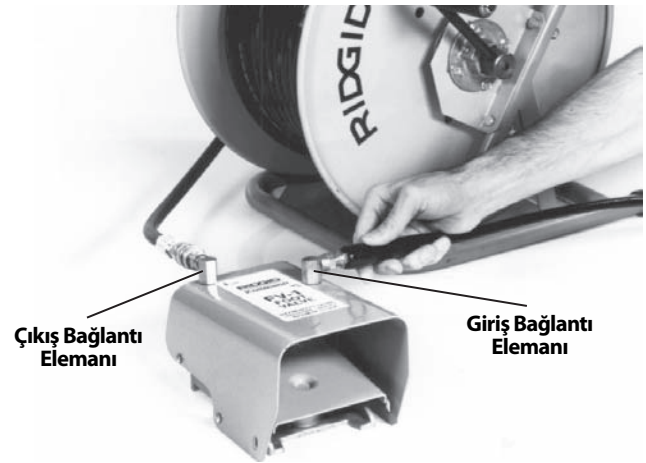


**Şekil 10 – Kanal girişini çalışma noktasına Uzatma**

### Hortum Hazırlama

Jet hortumlarını yönlendirirken dikkatli olun. Hortumları sert yüzeyler, keskin kenarlar, çapraz hortumlar, vs. boyunca yönlendirmek, hortum özellikle darbe durumunda kullanıldığında hortum kılıfına zarar verebilir. Jet hortumunu makarada tutmak, hortum hasarını en aza indirmeye yardımcı olur.

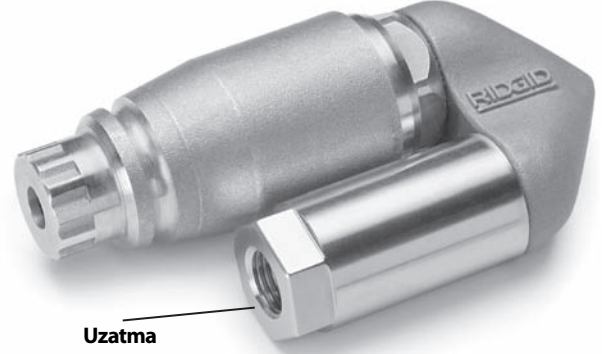
1. Temizlenen kanal için uygun jet hortum boyutunu seçin. Kanal temizliği için iki jet hortumunun birlikte bağlanması genellikle önerilmez. İki hortum arasındaki bağlantı daha az esnek ve bağlantı elemanları arasında geçişi önleyebilir. *Bkz. Jet Hortumu Seçme Çizelgesi.*
2. Gerekli olduğunda, hortum makarasını motor/pompa ünitesinden ayırın. Hortum makarasını kanal açıklığının 3 fit / 90 cm dahilinde bulundurun. Hortum hasarını önlemek için kanalın dışında aşırı miktarda hortum olmasına izin vermeyin. Hortum makarası kanal açıklığının 3 fit / 90 cm dahilinde yerleştirilemezse, kanal açıklığını benzer boyutlu boru ve bağlantı elemanları ile tekrar uzatın.
3. Jetten gelen hortumu emme supabının GİRİŞ bağlantı elemanına yönlendirin. Bağlantıyı yalıtım için teflon bant kullanın. Emme supabını erişilebilecek şekilde konumlandırın. Jet hortumunu ve emme supabını kontrol edebiliyor olmanız gerekir.
4. Makaradan gelen hortumu emme supabının ÇIKIŞ bağlantı elemanına bağlayın.



**Şekil 11 – Emme Supabı Bağlantısı**

5. Çekildiği zaman, nozülün kanal açıklığına ne zaman yaklaştığını belirtmek için jet hortumunu ucuna yakın bir yerinden işaretleyin. Bu, nozülün kanaldan çıkmasını ve etrafa çarpmasını önlemeye yardımcı olacaktır. Mesafe, kanalın yapılandırmasına bağlıdır, ama en azından 4' / 1,2 m olmalıdır.
  6. Nozülü jet hortumunun ucundan sökün ve jet hortumunun ucunu kanala yerleştirin. Havayı ve herhangi bir birikintiyi jetten ve hortumdan boşaltmak için giriş kaynak supabını açın. En azından 2 dakika boyunca suyun akmasına izin verin.
  7. Giriş kaynak supabını kapatın.
  8. Bir nozülü seçin. Özellikle kullanılmakta olan jet için boyutlandırılmış nozülleri kullanın. Yanlış nozüllerin kullanılması düşük performansa neden olabilir (düşük işletim basıncı veya düşük akış) veya aşırı yüksek basınçlarda jete zarar verebilir. Nozül orifislerinin temiz ve açık olduğundan emin olun. *Bkz. Jet Nozül Seçme Çizelgesi.*
- 6" / 152 mm'den daha büyük ve 9" / 229 mm'ye kadar kanallar için RR3000 nozül kullanılıyorsa, uzatma kullanılmalıdır. 6" / 152 mm ve daha küçük kanallar için, uzatma gerekli değildir. Gerekirse, RR3000 uzatmasını sıkıca el ile sıkın, aşırı sıkmayın. RR3000 nozülünün 6" / 152 mm - 9" / 229 mm arasında bir hatta uzatmasız kullanılması veya 9" / 229 mm'den daha büyük hatlarda kullanılması, nozülün kanalda yön değiştirmesini, kullanıcıdan çıkmasını ve ciddi yaralanmaya neden olabilir (Şekil 12).
9. Hortumun ucundaki nozülü elle sıkıca sıkın, aşırı sıkmayın. Nozülün aşırı sıkılması nozüle zarar verebilir ve düşük performansa neden olabilir.

10. Nozül takılıken hortumu kanala takın ve giriş kaynak supabını açın. Suyun nozülden serbestçe aktığını doğrulayın ve giriş kaynak supabını kapatın.



Şekil 12 - Uzatmalı RR3000 Nozülü

### JET HORTUMU SEÇME ÇİZELGESİ

Kullanım Alanları		Boru Boyutu inç / mm	Nozül Boyutu inç / mm	Hortum Boyutu (İç Çap), inç / mm	Hortum Boyutu (Dış Çap), inç / mm
KJ-2200	Banyo lavaboları, pisuvarlar ve küçük borular.	1 1/4 - 2 / 32 - 50	1/8 / 3,2 NPT	1/8 / 3,2	3/16 / 4,8
	Mutfak lavaboları, çamaşır tekneleri ve yığınları, temizlik ve havalandırma delikleri.	2 - 3 / 50 - 76	1/8 / 3,2 NPT	3/16 / 4,8	1/4 / 6,4
	Duş ve zemin kanalları, yanıl hatlar ve yağ tutucular.	3 - 4 / 76 - 101	1/4 / 6,4 NPT	1/4 / 6,4	1/2 / 13
	Yanal ve ana hatlar.	4 - 6 / 101 - 152	1/4 / 6,4 NPT	1/4 / 6,4	1/2 / 13
KJ-3100	Yığınlar, temizlik ve havalandırma delikleri.	2 - 3 / 50 - 76	1/8 / 3,2 NPT	3/16 / 4,8	1/4 / 6,4
	Duş kanalları, yanıl hatlar ve yağ tutucular.	3 - 4 / 76 - 101	1/4 / 6,4 NPT	3/8 / 9,5	5/8 / 16
	Yanal ve ana hatlar.	4 - 10 / 101 - 250	1/4 / 6,4 NPT	3/8 / 9,5	5/8 / 16

### JET NOZÜLÜ SEÇME ÇİZELGESİ

KJ-2200	Dişli boyutu, inç / mm	1/8 / 3,2 NPT	1/4 / 6,4 NPT
	Hortum Boyutu (İç Çap), inç / mm	1/8 & 3/16 / 3,2 ve 4,8	1/4 / 6,4
	Hortum Boyutu (Dış Çap), inç / mm	3/16 & 1/4 / 4,8 ve 6,4	1/2 / 13
	Uzun mesafede maksimum itme gücünü sağlamak için üç adet ters jet itme elemanına sahiptir. Çoğu uygulama için bu nozülü kullanın.	<b>H-61</b>	<b>H-71</b>
Ters olarak üç jet itme elemanı ve katı gres veya tortu bloklarına nüfuz etmek için ileri yönlendirilmiş bir jeti kullanın. İleri jet, nozülün takip etmesi için blokta küçük bir delik açar. Buz bloklarına püskürtme gerçekleştirirken de çok etkilidir.	<b>H-62</b>	<b>H-72</b>	
Zor kıvrımlarda çalışmaya yardımcı olması için dalgıç kafasını kullanın. Bu nozül üç ters jet itme elemanına sahiptir.	<b>H-64</b>		
Kanaldan gres ve benzeri engelleri temizlemek için dönen nozülü kullanın.	<b>H-65</b>	<b>H-75</b>	

	Dişli boyutu, inç / mm	1/8 / 3,2 NPT	1/4 / 6,4 NPT
	Hortum Boyutu (İç Çap), inç / mm	3/16 / 4,8	3/8 / 9,5
	Hortum Boyutu (Dış Çap), inç / mm	1/4 / 6,4	5/8 / 16
KJ-3100	Uzun mesafede maksimum itme gücünü sağlamak için dört (4) adet ters jet itme elemanına sahiptir. Çoğu uygulama için bu nozülü kullanın.	H-101	H-111
	Ters olarak üç jet itme elemanı ve katı gres veya tortu bloklarına nüfuz etmek için ileri yöneltilmiş bir jeti kullanın. İleri jet, nozülün takip etmesi için blokta küçük bir delik açar. Buz bloklarına püskürtme gerçekleştirirken de çok etkilidir.	H-102	H-112
	Zor kıvrımlarda çalışmaya yardımcı olması için dalgıç kafasını kullanın. Bu nozül dört (4) ters jet itme elemanına sahiptir.	H-104	
	Kanaldan gres ve benzeri engelleri temizlemeye yardımcı olması için dönen nozülü kullanın.	H-105	H-115
	Kökleri ve diğer engel tiplerini temizlemek için kullanın. NOT! 8" / 200 mm çaptaki kanalları temizlerken RR3000'i sabitlemek için uzatma elemanını kullanın.		RR3000

## Kullanım Talimatları

### ⚠ UYARI



**Kir ve diğer yabancı maddelere karşı gözünüzü korumak için her zaman göz koruyucular takın. Her zaman iş ortamı için uygun kişisel koruma ekipmanını kullanın.**

**Jeti, hortum ucu kanalın dışında olacak şekilde asla çalıştırmayın. Hortum, şiddetli yaralanmalara neden olacak biçimde çarpabilir ve püsküren sıvı cilde nüfuz edebilir ve ciddi yaralanmaya neden olabilir.**

**Yüksek basınçlı sıvı cildin altına enjekte edilebilir ve amputasyon dahil ciddi yaralanmalarla sonuçlanabilir. İnsanlara veya hayvanlara doğrudan püskürtme gerçekleştirmeyin.**

**Jeti, basınç değerinin üzerinde veya 140°F / 60°C'de (giriş suyu sıcaklığı) çalıştırmayın. Bu, yanık dahil yaralanma ve jetin zarar görme riskini artırır.**

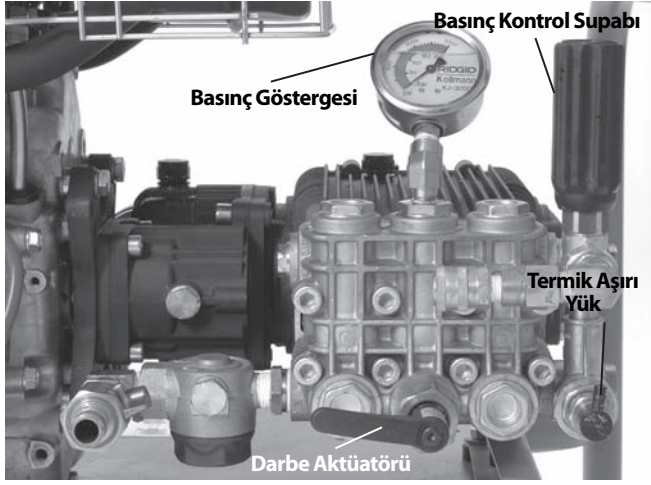
**Su püskürtme işlemini ve emme supabını sadece bir kişi kontrol etmelidir. Daima emme supabını kullanın. Jet hortumu kanaldan çıkarsa, operatör çarpıcı ve yüksek basınçlı enjeksiyon yaralanmalarına neden olan jet hortumu çarpması riskini azaltmak için su akışını kesebilmelidir.**

**Kanal temizleme makinesi ile işlem yaparken ve kullanırken her zaman uygun kişisel koruyucu ekipman kullanın. Tesisat boruları zehirli, bulaşıcı, yanıklara ve diğer sorunlara yol açabilen kimyasallar, bakteriler ve diğer maddeler içerebilir. Uygun kişisel ko-**

**ruyucu ekipmanlar her zaman güvenlik gözlükleri ve eldivenleri içerir ve lateks veya lastik eldivenler, yüz koruyucular, koruyucu gözlükler, koruyucu elbiseler, solunum cihazları ve çelik uçlu ayakkabılar içerebilir.**

**Çarpan hortumlar, yüksek basınçlı sıvı enjeksiyonu karbon monoksit ve diğer sebeplerden kaynaklanabilecek yaralanma riskini azaltmak için kullanım talimatlarına uyun.**

1. Makine ve çalışma alanının doğru şekilde hazırlandığından ve çalışma alanında izleyiciler ve başka dikkat dağıtıcıların olmadığından emin olun. Jet kullanıldığı noktadan uzağa koyulursa, jette başka bir kişinin bulunması gereklidir.
2. Nozül takılıyken hortumu kanala en az üç fit takın, böylece hortumun ucu kanalda çıkmaz ve makine çarşıtırıldığı anda etrafa çarpmaz.
3. Darbe aktüatör kolunun "Basınç" konumunda saat yönünün tersine döndürüldüğünü onaylayın (Şekil 16).
4. Giriş kaynak supabını açın. Su kaynağı açılmadan motoru asla çalıştırmayın. Bunu yapmak pompaya zarar verebilir.
5. Basıncı azaltmak için emme supabına basın ve motorun çalıştırılmasına izin verin. Suyun nozülden serbestçe aktığını doğrulayın. Motor kılavuzunda sunulan çalıştırma talimatlarına uyun, motoru çalıştırın. Motorun ısınmasına izin verin.



Şekil 13 - Kumandalar

6. Basıncı istenildiği şekilde ayarlamak için basınç ölççüğünü izlerken basınç kontrol supabını çevirin (basıncı arttırmak için saat yönünde, basıncı düşürmek için saat yönünün tersine doğru). Kullanılan makine basınç değerini aşmayın. Basınç kontrol supabını zorlamayın veya çevirmek için İngiliz anahtarı veya aletler kullanmayın. Bu basınç kontrol supabına zarar verecektir.

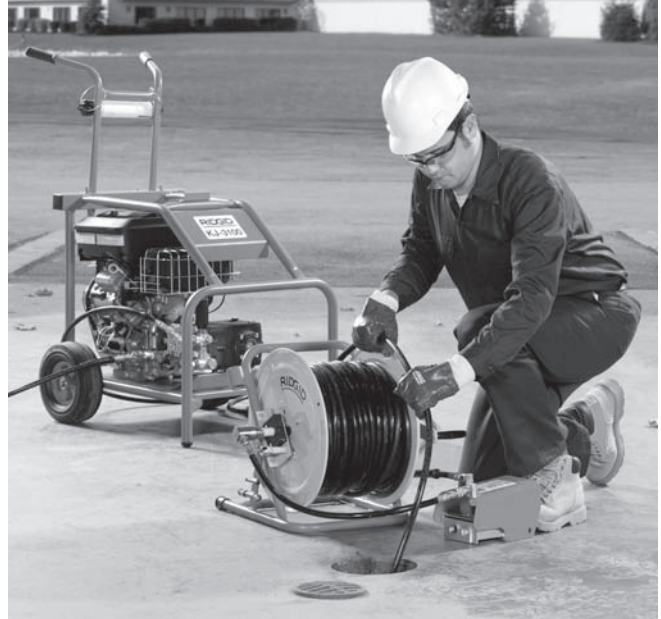
Jet	Basınç Değeri, PSI / bar
KJ-2200	2200 / 150
KJ-3100	3000 / 205

Jet nominal basıncı oluşturmazsa veya dengesizse:

- Motor gaz kelebeğinin düzgün ayarlandığından emin olun.
- Giriş kaynak supabının tam olarak açık olduğundan ve kaynak sistemindeki diğer supabların tam olarak açık olduğundan emin olun.
- Basıncı arttırmak için basınç kontrol supabını saat yönünde çevirin. Zorlamayın.
- Darbe aktüatörünün "Basınç" ayarında olduğundan emin olun.
- İçeride tutulan havayı sistemden temizlemek için ünite çalışırken darbe aktüatörünü "Basınç" ve "Darbe" konumları arasında pek çok kez geçiş yaptırın.
- Sistemde sızıntı olup olmadığını inceleyin. Yaranmayı engellemek için inceleme sırasında dikkatli olun. Sızıntı bulunursa, düzeltmeden önce jeti kapatın.
- Jeti kapatın. Giriş filtresini/filtre pulunu kontrol edin ve birikinti olmadığından emin olun.
- Jete yeterli su akışı olduğundan emin olun.

- Jeti ve giriş kaynak supabını kapatın. Nozülü çıkarın ve nozül temizleme aleti ile orifisleri temizleyin.
  - Sistemdeki havayı veya birikintileri temizlemek için hortumda nozül olmadan jeti çalıştırın. Nozülü sökmeden veya takmadan önce jeti kapatın.
7. Uygun bir kullanma konumu belirleyin.
- Emme supabının açma/kapatma eylemini kontrol edebildiğinizden emin olun. Emme supabına henüz basmayın.
  - İyi bir dengeye sahip olduğunuzdan ve aşırı uzanmak zorunda olmadığınızdan emin olun.
  - Hortumu kontrol etmek ve desteklemek için bir elinizi her zaman jet hortumuna yerleştirebiliyor olmalısınız.
  - Hortumu sarmak için makaraya ulaşabiliyor olmalısınız.

Bu çalışma konumu jet hortumunun kontrolünü sürdürmenize yardımcı olacaktır.



Şekil 14 - Düzgün Çalıştırma Konumu

### Kanala Su Püskürtme


Bir kanala su püskürtürken, hortum tipik olarak kanala temizlenecek mesafenin tümünde besleme yapar ve yavaşça geri çekilir. Bu, birikmeyi önlemek için yüksek basınçlı suyun kanal duvarlarına yönelmesini sağlar.

Hortum makarasındaki kilitleme pimlerini açın. Hortum kanalda en az üç fitken ve bir eliniz hareketi kontrol etmek için hortumdayken, emme supabına basmayı bırakın. Nozüldeki ters jet itme elemanı hortumu kanala



çekmeye yardımcı olur. Hortumu, temizlenmesi gerektiği kadar uzağa besleyin. Hortum durduğu takdirde, bir tür engel ile karşılaşmış demektir.

Nozül, bir yön değişikliği (tutucu, dönüş, vs.) veya bir engellenme ile bir engelden geçemezse.

- Keskin hortum itme elemanları kullanın.
- Hortum setini yön değişikliğine yöneltmek için bir çeyrek ila yarım dönüşte hortumu döndürün (Hortum engel yönünde döndürülmüşse, bükülmeleri önlemeye yardımcı olmak için hortumu tekrar çevirin) *Bkz. Şekil 15.*
- Darbe modunu kullanın.  (sonraki kısma bakın).
- Bir tutucu hortum veya daha küçük çaplı bir hortum kullanın.



**Şekil 15 – Hortumu Döndürme**

Bir engel aşıldığında, ileri hareket ettirmeden önce kanalı o kısmını temizlemek için zaman ayırın. Engel alanını bir kaç fit geçecek kadar taşıyın ve nozülü engel alanından yavaşça çekin. Bunu birkaç kez yapın ve ardından kanala taşıyın.

Kanal su düzeyini takip edin. Su düzeyi çok yükselirse, jeti kapatmanız ve devam etmeden önce suyun kanala girmesine izin vermeniz gerekebilir. Hat su ile doluyken su püskürtme, hattın boş olduğu zamankinden daha az etkilidir. Emme supabı kapalıyken jetin uzun süre çalışmasına izin vermeyin. Emme supabı kapalıyken, su pompada yeniden devir daim eder ve suyun ısınmasına neden olur. Bu, pompa termal aşırı yükünün açılmasına neden olabilir.

Nozül kanalda istenilen mesafede olduğunda, nozülü yavaşça (ağır kanal birikmeleri için dakika 1 ft / 30 cm) kanaldan geri çekin. Hortumu kontrol etmek için bir elinizi ve hortumu makaraya sarmak için diğer elinizi kullanın. Nozül kanal açıklığına yaklaşırken, su akarken nozülün kanaldan çıkmamasına dikkat edin. Bu hortumun ortalığa çarpmasına ve çarpıcı ve yüksek basınçlı sıvıdan kaynaklanan yaralanmalara neden olabilir. Hortumu her zaman kontrol edin. Nozülün yanındaki hortumdaki işarete bakın. Su akışını kesmek için emme supabını açın.

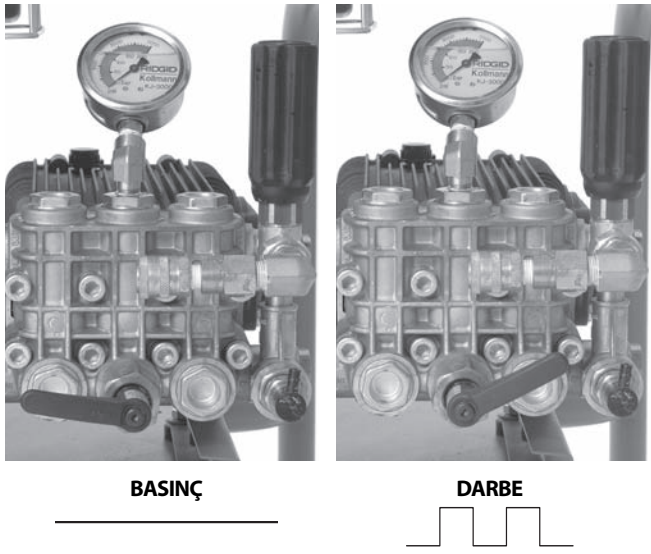
Motor kılavuzunda belirtildiği gibi motoru kapatın ve sistem basıncını salmak için emme supabına basmayı bırakın. Sistemi asla basınçlı şekilde bırakmayın. Gerekirse, nozülü değiştirin ve yukarıdaki işlemi takip ederek temizlemeye devam edin. Komple bir temizlik için bir hatta birkaç tur önerilir.

Bittiğinde, jet kapalı halde, nozülü çıkartın ve pompayı ve hortumu yıkamak için giriş kaynak supabını açın. Jeti soğuk hava koşullarında kullanıyorsanız, donmadan kaynaklanan hasarı önlemeye yardımcı olması için suyu sistemden hemen tahliye edin. Donma korumasına dair bilgi için bkz. *Makinenin Saklanması*.

### **Darbe Modunu Kullanma**

Hortumun yönlendirilmesi bir yön değişikliğini veya engeli aşmak için yeterli olmadığında, darbe modu kullanılmalıdır. Darbe modu, hortum uzatmayı rahatlatarak, su basıncında hortumun titremesine neden olan geniş varyasyonlara neden olur.

1. Darbe aktüatör kolunu saat yönünde "Darbe" konumuna çevirin. Darbe modunda, basınç göstergesi tam basınçtan daha az bir değer verir. Bu normaldir.



Şekil 16 – Darbe Aktüatör Kolunun Konumu

2. Gerekirse, engel boyunca nozüle yardımcı olmak için hortumda ve hortum dönüşünde keskin itme elemanları kullanın.
3. Engel aşıldıktan sonra, darbe aktüatör kolunu saat yönünün tersine "Basınç" konumuna çevirin. Jeti, bir engeli geçmek için gerekenden daha uzun süre darbe modunda bırakmayın. Darbe özelliğinin aşırı kullanımı hortumlarda ve sistemde vaktinden önce aşınmaya neden olabilir.

### Su Jeti Makinesini Basınçlı Yıkayıcı Olarak Kullanma

RIDGID su jetleri, basınçlı yıkama paketinin eklenmesi ile basınçlı yıkayıcılar olarak da kullanılabilir. Basınçlı yıkayıcı olarak kullanmak jet olarak kullanmaya benzer ve aşağıdakilerle birlikte o talimatlar kullanılmalıdır.

1. Uygun bir çalışma alanı belirleyin.
2. Tüm ekipmanı düzgün şekilde kontrol ettiğinizden emin olun.
3. Yıkama çubuğunu yıkama hortum çubuğuna bağlayın. Her zaman en az jetin basınç değerinde bir basınç değerine sahip bir hortum kullanın. Sızmayı önlemek için bir dişli sızdırmazlık malzemesi kullanın.
4. Hortumu jet çıkışına bağlayın. Hortumun uçlarının, basınç altında çıkmalarını önlemek için hortuma sağlam şekilde bağlandığından emin olun.
5. Jete, daha önce belirtildiği gibi, uygun bir su kaynağı bağlayın.
6. Giriş kaynak supabını açın ve suyun akmasını sağlamak ve sistemdeki havayı boşaltmak üzere yıkama çubuğunu tetiklemek için sıkın. Su kaynağı açılma-

dan motoru asla çalıştırmayın. Bunu yapmak pompaya zarar verebilir.

7. Darbe aktüatör kolunun "Basınç" konumunda saat yönünün tersine döndürüldüğünden emin olun.
8. Yıkama Çubuğu Nozül Ayarlamaları – Yıkama şekli, ince akıştan geniş fan tipi püskürtmeye kadar nozül döndürülerek ayarlanabilir. Nozülü ileri (düşük basınç) ve geri (yüksek basınç) çekerek, basıncı ayarlayabilirsiniz. Çalıştırmayı başlatmak için nozülün yüksek basınç konumuna geri çekildiğinden emin olun.



Şekil 17 – Yıkama Çubuğu Nozül Ayarlamaları

9. Yıkama Çubuğu Kilidi - yıkama çubuğu tetikleyicinin arkasında bir kilit mekanizmasına sahiptir. Yıkama çubuğu kullanımda değilken tetikleyicinin çalışmasını önlemek için kilidi aşağıya çevirin.
10. Çubuk güvenli yöne bakarken, basıncı azaltmak için yıkama çubuğu tetikleyicisini sıkın ve motorun çalışmasını sağlayın. Motor kılavuzunda sunulan çalıştırma talimatlarına uyun, motoru çalıştırın. Motorun ısınmasına izin verin. Motor çalışır çalışmaz tetikleyiciyi bırakın.
11. Çubuk güvenli bir yöne bakarken, yıkama çubuğu tetikleyicisini sıkın. Basıncı istenilen şekilde ayarlamak için basıncı izlerken basınç kontrol supabını çevirin. Makine basınç değerini aşmayın. Yıkama çubuğu tetikleyicisini serbest bırakın.

### Basınçlı Yıkayıcının Çalıştırılması

1. Basınçlı yıkayıcı olarak kullanırken, daha iyi kontrol için yıkama çubuğunu kavramak ve yönlendirmek üzere her iki elinizi kullanın. Yıkama çubuğunu asla insanlara doğrultmayın. Yüksek basınçlı sıvı cildin altına enjekte edilebilir ve ciddi yaralanmalarla sonuçlanabilir. Elektrik çarpması riskini azaltmak için yıkama çubuğunu asla elektrikli ekipmanlara veya kablolarla doğrultmayın.
2. Tetikleyici ile su akışını kontrol edin. Basınçlı yıkayıcıyı kullanırken özen gösterin. Nozülün bir yüzeye çok yakın tutulması ona zarar verebilir. Ayarın istenildiği gibi çalıştığını onaylamak için küçük, fark yaratmayacak bir alanda test edin.
3. Tetikleyici kapalıyken jetin uzun süre çalışmasına izin vermeyin. Tetikleyici kapalıyken, su pompada

yeniden devir daim eder ve suyun ısınmasına neden olur. Bu, pompa termal aşırı yükünün açılmasına neden olabilir.

4. Basınçlı yıkama tamamlandığında, tetikleyiciyi açın ve motor kılavuzunda belirtildiği gibi motoru kapatın. Sistem basıncını salmak için tetikleyiciyi sıkın. Sistemi asla basınçlı şekilde bırakmayın.

### Deterjan Enjektörü

1. Gerekirse, çıkış portuna deterjan enjektörünü bağlayın. Çıkış hortumunu sökün ve su akışı ile aynı yönü işaret eden oka göre deterjan enjektörünü takın. Sızmayı önlemek için dişli sızdırmazlık malzemesi kullanın. Çıkış hortumunu yeniden takın.
2. Deterjan enjektörüne sifon hortumunu takın. Hortumun süzgeçli ucunu deterjan kabına yerleştirin. Yalnızca basınçlı yıkayıcılar için tasarlanmış deterjanları kullanın. Tüm deterjan talimatlarını izleyin. Yanabilen sıvılar veya toksik kimyasalları püskürtmeyin. Diğer deterjanlar, çözücüler, temizleyiciler, vs. jete zarar verebilir veya ciddi bir yaralanmaya neden olabilir.
3. Basınçlı yıkama yapılırken, deterjanlar yalnızca yıkama çubuğu nozülü düşük basınç konumundayken uygulanır. Deterjanı uygulamak için nozülü düşük basınç konumuna, ileri itin.
4. Çalıştırma sırasında, deterjan enjektöründeki kol çevrilerek deterjan uygulama oranı ayarlanabilir. Deterjan miktarı saat yönünün tersinde artar, saat yönünde azalır.
5. Deterjan uygulaması tamamlandığında, süzgeci deterjandan çıkarın, bir kova temiz suyun içine koyun ve sistemdeki deterjanı yıkayarak temizleyin.

### Bakım Talimatları

#### ▲ UYARI

**Herhangi bir bakım uygulamadan önce, farkında olmadan çalıştırmamak için motor Kapalı konuma getirilmeli ve kıvılcımlı buji kabloları sökülmalıdır. Sistemdeki herhangi bir sıvı basıncını serbest bırakmak için emme supabına veya çubuk tetikleyiciye basın.**

**Kanal kimyasallarına ve bakterilere karşı korumaya yardımcı olması için, herhangi bir bakım işlemi gerçekleştirirken her zaman koruyucu gözlükler ve eldivenler takın.**

#### Temizleme

Hortum gereken şekilde sıcak, sabunlu su ve/veya dezenfektanlarla temizlenmelidir. Motora veya elektrikli sisteme su girmesine izin vermeyin. Basınçlı yıkayıcı ile temizlemeyin. Ünitesini nemli bez ile silin.

#### Motor

Motorun bakımını ünite ile sağlanan operatör kılavuzunda sunulduğu şekilde gerçekleştirin.

#### Pompa Yağlama

Kullanmadan önce pompa yağı seviyesini kontrol edin. Jeti düz bir yüzeye yerleştirin. Ölçme çubuğu alanındaki kirleri veya birikintiyi silin ve ölçme çubuğunu çıkarın, yağ seviyesini kontrol edin. Gerekirse, SA 30W deterjansız yağ ekleyin. Aşırı doldurmayın. Ölçme çubuğunu yeniden takın.

İlk 50 saatlik çalışma sonrası ve ondan sonraki her 500 saatte pompadaki yağı değiştirin. Pompa çalışmaktan ısındığında pompanın alt kısmındaki tıpayı çıkarın ve yağı uygun bir kaba akıtın. Tıpayı tekrar takın. Kontrol prosedürünü kullanarak yaklaşık 32 oz / 0,9 kg'lık SAE 30W deterjansız yağ ile doldurun.

#### Vites Kutusu Yağlama

Kullanmadan önce vites kutusu yağ seviyesini kontrol edin. Jeti düz bir yüzeye yerleştirin. Ölçme çubuğu alanındaki kirleri veya birikintiyi silin ve ölçme çubuğunu çıkarın, yağ seviyesini kontrol edin. Gerekirse, SA 90W deterjansız vites kutusu yağı ekleyin. Aşırı doldurmayın. Ölçme çubuğunu yeniden takın.

Vites kutusundaki yağı her 500 saatlik çalışmada değiştirin. Vites kutusu çalışmaktan ısındığında vites kutusunun alt kısmındaki tıpayı çıkarın ve yağı uygun bir kaba akıtın. Tıpayı tekrar takın. Kontrol prosedürünü kullanarak yaklaşık 8 oz / 0,2 kg'lık SAE 90W vites kutusu yağı ile doldurun.

#### Pompayı Soğuk Havada Saklamak için Hazırlama

**BİLDİRİM** Jet, sıcaklığın 32°F / 0°C'ye yakın veya bunun altında olduğu durumlarda saklanmalıdır, jet düz gün şekilde hazırlanmalıdır. Pompadaki su donarsa, ona zarar verebilir.

Jeti soğuk havada saklamaya hazırlık için iki yöntem bulunmaktadır. İlki, sistemdeki tüm supapları açmak ve tüm suyu sistemden çıkmaya zorlamak için sıkıştırılmış hava kullanmaktır. Bu, su hortumlardan çıkarılarak da kullanılabilir.

İkinci yöntem RV antifriz kullanır (etilensiz glikol antifriz). Jet pompasında etilen glikol antifriz kullanmayın. Etilen glikol drenaj sistemlerinde kullanılamaz.

1. Giriş kaynak supabına hortumun 3' / 90 cm'lik bir kısmını ekleyin ve supabı açın.
2. Hortumun ucunu RV antifriz kabına yerleştirin.
3. Nozülü hortumun ucundan sökün.

4. Jeti çalıştırmaya başlatın ve hortum ucundan antifriz çıkana kadar çalıştırın.

## Aksesuarlar

### ⚠ UYARI

**Ciddi yaralanma riskini azaltmak için sadece RIDGID Su Jeti Makineleri ile birlikte kullanılmak üzere özel olarak tasarlanmış ve önerilen aksesuarları kullanın. Bunların bir listesi aşağıda verilmiştir. Diğer makinelere uygun başka aksesuarların RIDGID Su Jeti Makineleri ile kullanılması tehlikeli olabilir.**

## KJ-2200 Jet Nozülü ve Hortumları

Katalog No.	Model No.	Açıklama	Hortum Kimliği inç / mm	Hortum Dış Çapı inç / mm
64772	H-61	İtici Nozül	1/8" / 3,2 mm NPT	
64777	H-62	Nüfuz Eden Nozül	1/4" / 6,4 mm Hortuma uyar	
64782	H-64	Dalgıç Kafalı Nozül		
82842	H-65	Dönen Nozül 2200		
64787	H-71	İtici Nozül	1/4" / 6,4 mm NPT	
64792	H-72	Nüfuz Eden Nozül	1/2" / 13 mm Hortuma uyar	
82852	H-75	Dönen Nozül 2200		
47592	H-1425	1/4" x 25' / 6,4 mm x 7,6 m	3/16 / 4,8	1/4 / 6,4
47597	H-1435	1/4" x 35' / 6,4 mm x 10,7 m	3/16 / 4,8	1/4 / 6,4
47602	H-1450	1/4" x 50' / 6,4 mm x 15,2 m	1/4" / 6,4 mm Tutucu Hortum	3/16 / 4,8
49272	H-1475	1/4" x 75' / 6,4 mm x 22,9 m	Turuncu	3/16 / 4,8
49277	H-1400	1/4" x 100' / 6,4 mm x 30,5 m		3/16 / 4,8
64732	H-1415	1/4" x 150' / 6,4 mm x 45,7 m		3/16 / 4,8
50002	HL-1	Esnek Doldurucu, 1/4" / 6,4 mm	1/8 / 3,2	3/16 / 4,8
50007	HL-2	Esnek Doldurucu, 1/2" / 13 mm	1/8 / 3,2	3/16 / 4,8
47607	H-1250	1/2" x 50' / 13 mm x 15,2 m	1/4 / 6,4	1/2 / 13
47612	H-1275	1/2" x 75' / 13 mm x 22,9 m	1/4 / 6,4	1/2 / 13
47617	H-1200	1/2" x 100' / 13 mm x 30,5 m	1/4 / 6,4	1/2 / 13
51587	H-1211	1/2" x 110' / 13 mm x 33,5 m	1/2" / 13 mm Jet Hortumu	1/4 / 6,4
49487	H-1215	1/2" x 150' / 13 mm x 45,7 m	Siyah	1/4 / 6,4
51597	H-1220	1/2" x 200' / 13 mm x 61 m		1/4 / 6,4

## KJ-2200 Jet Aksesuarları

Katalog No.	Model No.	Açıklama
62882	H-5	Mini Hortum Makarası (Hortum dahil değildir)
64737	H-30	H-30 Hortum Makaralı Taşıma Arabası
62877	H-30 WH	H-30 Hortum Makaralı Taşıma Arabası ve 110' / 33,5 m x 1/2" / 13 mm Jet Hortumu
64077	HP-22	Basınçlı Yıkama Paketi, KJ-2200
64767	HW-22	Yıkama Çubuğu, KJ-2200
51572	H-1235	Yıkama Çubuğu Hortumu 1/2" / 13 mm x 35' / 10,7 m
48157	FV-1	Emme Supabı
66732	HF-4	Çabuk Bağlantı Hortumu
48367	H-25	Kışa Hazırlama Kiti
47542	H-21	Nozül Yıkama Aleti
67187	H-32	Jet Vakum



**KJ-3100 Jet Nozülleri ve Hortumları**

Katalog No.	Model No.	Açıklama	Hortum Kimliği inç / mm	Hortum Dış Çapı inç / mm
38698	H-101	İtici Nozül 1/8" / 3,2 mm NPT		
38713	H-102	Nüfuz Eden Nozül 1/4" / 6,4 mm Hortuma uyar		
38703	H-104	Dalgıç Kafalı Nozül		
38723	H-105	1/8" / 3,2 mm NPT Dönen Nozül		
38693	H-111	İtici Nozül 1/4" / 6,4 mm NPT		
38708	H-112	Nüfuz Eden Nozül 3/8" / 9,5 mm Hortuma uyar		
38718	H-1155	1/4" / 6,4 mm NPT Dönen Nozül		
16713	RR3000	Root Ranger Nozülü		
47592	H-1425	1/4" / 6,4 mm x 25' / 7,6 m Tutucu Hortum	3/16 / 4,8	1/4 / 6,4
47597	H-1435	1/4" / 6,4 mm x 35' / 10,7 m Tutucu Hortum	3/16 / 4,8	1/4 / 6,4
47602	H-1450	1/4" / 6,4 mm x 50' / 15,2 m Turuncu Tutucu Hortum	3/16 / 4,8	1/4 / 6,4
49272	H-1475	1/4" / 6,4 mm x 75' / 22,9 m Tutucu Hortum	3/16 / 4,8	1/4 / 6,4
49277	H-1400	1/4" / 6,4 mm x 100' / 30,5 m Tutucu Hortum	3/16 / 4,8	1/4 / 6,4
64732	H-1415	1/4" / 6,4 mm x 150' / 45,7 m Tutucu Hortum	3/16 / 4,8	1/4 / 6,4
64827	H-3835	3/8" / 9,5 mm IÇ x 35' / 10,7 m Yıkama Hortumu	3/8 / 9,5	5/8" / 16
64832	H-3850	3/8" / 9,5 mm IÇ x 50' / 15,2 m Jet/Yıkama Hortumu	3/8 / 9,5	5/8" / 16
64837	H-3810	3/8" / 9,5 mm IÇ x 100' / 30,5 m Jet Hortumu	3/8 / 9,5	5/8" / 16
64842	H-3815	3/8" / 9,5 mm IÇ x 150' / 45,7 m Jet Hortumu	3/8 / 9,5	5/8" / 16
64847	H-3820	3/8" / 9,5 mm IÇ x 200' / 61 m Jet Hortumu	3/8 / 9,5	5/8" / 16
64852	H-3825	3/8" / 9,5 mm IÇ x 250' / 76,2 m Jet Hortumu	3/8 / 9,5	5/8" / 16
64857	H-3830	3/8" / 9,5 mm IÇ x 300' / 91,4 m Jet Hortumu	3/8 / 9,5	5/8" / 16

**KJ-3100 Jet Aksesuarları**

Katalog No.	Model No.	Açıklama
62882	H-5	Mini Hortum Makarası
64862	H-38	Hortum Makarası (KJ-3100'e uyar)
64902	H-38 WH	200' / 61 m x 3/8" / 9,5 mm IÇ Hortum ile Hortum Makarası (KJ-3100'e uyar)
64797	HW-30	Yıkama Çubuğu, KJ-3100
48367	H-25	Kışa Hazırlama Kiti
48157	FV-1	Emme Supabı
66732	HF-4	Çabuk Bağlantı Hortumu (Makarayı Emme Supabına)
47542	H-21	Nozül Yıkama Aleti
67187	H-32	Jet Vakum

**Makinenin Saklanması**

**⚠ UYARI** Jeti yağmurdan ve kardan korunan iyi havalandırılmış bir alanda saklayın. Makineyi, çocukların ve jet kullanma deneyimi olmayan insanların ulaşamayacağı kilitli yerlerde saklayın. Bu makine, eğitimsiz kullanıcıların elinde, ciddi yaralanmalara sebep olabilir. Soğuk havada saklamaya dair bilgi için *Bakım kısmına* bakın. Motorun saklanması için spesifik bilgiler için motor operatörü kılavuzuna bakın.

**Bakım ve Onarım****⚠ UYARI**

**Hatalı bakım ve onarım makinenin çalışmasını güvensiz kılabilir.**

"Bakım Talimatları", bu makinenin bakım gereksinimlerinin çoğunu karşılayacaktır. Bu bölümde bahsedilmeyen sorunlar sadece yetkili bir RIDGID bakım teknisyeni tarafından ele alınmalıdır.

Makine bir RIDGID Yetkili Servis Merkezi'ne götürülmeli veya fabrikaya gönderilmelidir.

Size en yakın RIDGID Bağımsız Servis Merkezi veya servis veya onarım ile ilgili sorularınız için:

- Bulduğunuz bölgedeki RIDGID dağıtıcısı ile iletişim kurun.
- Yerel RIDGID irtibat noktasının iletişim bilgilerine erişmek için [www.RIDGID.com](http://www.RIDGID.com) veya [www.RIDGID.eu](http://www.RIDGID.eu) adresini ziyaret edin.
- RIDGID Teknik Servis Departmanı ile iletişim kurmak için [rtctechservices@emerson.com](mailto:rtctechservices@emerson.com) adresine yazın veya ABD ve Kanada'da (800) 519-3456 numaralı telefonu arayın.

**Elden Çıkarma**

Su jetinin parçaları geri dönüştürülebilir değerli malzemeler içermektedir. Bulduğunuz bölgede geri dönüşüm konusunda uzmanlaşmış şirketler bulunabilir. Parçaları geçerli düzenlemelere göre elden çıkarın. Daha fazla bilgi için yerel yetkili atık yönetimi birimi ile iletişim kurun.



**AB Ülkeleri için:** Elektrikli cihazları ev atıkları ile birlikte atmayın!

Atık Elektrikli ve Elektronik Cihazlar için Avrupa Yönergesi 2002/96/EC ve yerel mevzuata uygulanmasına göre, kullanılmayacak durumdaki elektrikli cihazlar ayrı olarak toplanmalı ve çevreye zarar vermeyecek şekilde elden çıkarılmalıdır.

## Sorun Giderme

PROBLEM	NEDEN	DÜZELTME
<b>Jet çalışıyor ancak çok az basınç sağlıyor ya da hiç basınç sağlamıyor.</b>	Yetersiz su kaynağı.	Su kaynağı musluğunun <b>Açık</b> olduğundan emin olun. Jetin su kaynağı giriş supabının <b>Açık</b> olduğundan emin olun. Su kaynağı hortumunun temiz ve bükülmemiş veya çöküntü yapmamış olduğundan emin olun.
<b>Jet başlangıçta tam çalışma basıncına ayarlanmayacaktır.</b>	Sistemde hava kalmış. Jet nozülü itme elemanı engellenmiş.	Jet hortumundan nozülü çıkarın ve sistemdeki havayı/birikintiyi temizlemek için jeti çalıştırın. Nozülü çıkarın ve nozül temizleme aleti ile itme elemanı orifislerini temizleyin.
<b>Jet basınç göstergesi 500 ila tam çalışma basıncında dalgalanıyor.</b>	Jet nozülü itme elemanı engellenmiş. Sistemde birikinti veya hava kalmış.	Nozülü çıkarın. Nozül orifislerini temizlemek için nozül temizleme aletini kullanın; uygun kablo boyutunu seçin ve birikintiyi çıkarmak için her bir itme elemanı orifisine doğru tamamen itin. Nozülü çıkarın ve jet hortumunu kanal hattına takın. Sıkışan havayı veya birikintiyi temizlemek için jeti çalıştırın.

**Manufacturer:**

RIDGE TOOL COMPANY  
400 Clark Street  
Elyria, Ohio 44035-6001  
U.S.A.

**Authorized Representative:**

RIDGE TOOL EUROPE N.V.  
Research Park, Haasrode  
B-3001 Leuven  
Belgium

**CE Conformity**

This instrument complies with the European Council Electromagnetic Compatibility Directive 2004/108/EC using the following standards: EN 61326-1:2006, EN 61326-2-1:2006.

**Conformité CE**

Cet instrument est conforme à la Directive du Conseil européen relative à la compatibilité électromagnétique 2004/108/CE sur la base des normes suivantes : EN 61326-1:2006, EN 61326-2-1:2006.

**Conformidad CE**

Este instrumento cumple con la Directiva de Compatibilidad Electromagnética 2004/108/CE del Consejo Europeo mediante las siguientes normas: EN 61326-1:2006, EN 61326-2-1:2006.

**CE-Konformität**

Dieses Instrument entspricht der EU-Richtlinie über elektromagnetische Kompatibilität 2004/108/EG unter Anwendung folgender Normen: EN 61326-1:2006, EN 61326-2-1:2006.

**EG-conformiteit**

Dit instrument voldoet aan de Elektromagnetische-compatibiliteitsrichtlijn van de Europese Raad, die gebaseerd is op de volgende normen: EN 61326-1:2006, EN 61326-2-1:2006.

**Conformità CE**

Questo strumento soddisfa la Direttiva sulla Compatibilità Elettromagnetica 2004/108/EC del Consiglio Europeo descritta dalle seguenti normative: EN 61326-1:2006, EN 61326-2-1:2006.

**Conformidade CE**

Este instrumento está em conformidade com a Directiva de Compatibilidade Electromagnética do 2004/108/CE Conselho Europeu utilizando as normas seguintes: EN 61326-1:2006, EN 61326-2-1:2006.

**CE-märkning**

Det här instrumentet uppfyller det europeiska direktivet om elektromagnetisk kompatibilitet enligt följande standarder: EN 61326-1:2006, EN 61326-2-1:2006.

**CE-overensstemmelse**

Dette instrument overholder Det Europæiske Råds direktiv 2004/108/EF om elektromagnetisk kompatibilitet med følgende standarder: EN 61326-1:2006, EN 61326-2-1:2006.

**CE-samsvar**

Dette instrumentet er i samsvar med Europarådets direktiv om elektromagnetisk kompatibilitet 2004/108/EC som retter seg etter følgende standarder: EN 61326-1:2006, EN 61326-2-1:2006.

**CE-vastaavuus**

Tämä laite on sähkömagneettista yhteensopivuutta koskevan Euroopan yhteisön direktiivin 2004/108/EC mukainen käyttäen seuraavia standardeja: EN 61326-1:2006, EN 61326-2-1:2006.

**Zgodność z dyrektywami Unii Europejskiej**

Ten przyrząd spełnia wymagania Dyrektywy Zgodności Elektromagnetycznej Komisji Europejskiej 2004/108/EC, zgodnie z następującymi normami: EN 61326-1:2006, EN 61326-2-1:2006.

**Shoda CE**

Tento přístroj vyhovuje Směrnici Rady Evropy o elektromagnetické kompatibilitě 2004/108/EC a odpovídá těmto normám: EN 61326-1:2006, EN 61326-2-1:2006.

**Označenie zhody CE**

Tento nástroj je v súlade s ustanoveniami Smernice 2004/108/ES Európskej rady o elektromagnetickej kompatibilitě s použitím týchto noriem: EN 61326-1:2006, EN 61326-2-1:2006.

**Conformitate CE**

Acest aparat se conformează Directivei Consiliului European privind compatibilitatea electromagnetică 2004/108/EC utilizând următoarele standarde: EN 61326-1:2006, EN 61326-2-1:2006.

**CE konform**

Ez a műszer megfelel az Európai Tanács Elektromágneses kompatibilitási direktívája 2004/108/EC alábbi szabványainak: EN 61326-1:2006 és EN 61326-2-1:2006.

**Δήλωση συμμόρφωσης CE**

Η παρούσα συσκευή συμμορφώνεται με την Οδηγία 2004/108/ΕΚ του Ευρωπαϊκού Συμβουλίου περί Ηλεκτρομαγνητικής Συμβατότητας σύμφωνα με τα παρακάτω πρότυπα: EN 61326-1:2006, EN 61326-2-1:2006.

**CE skladnost**

Ovaj instrument skladan je dokumentu 'European Council Electromagnetic Compatibility Directive' uz primjenu slijedećih normi: EN 61326-1:2006, EN 61326-2-1:2006.

**Oznaka skladnosti CE**

Ta instrument je skladen z določili Direktive Evropskega sveta za elektromagnetno združljivost 2004/108/ES po naslednjih standardih: EN 61326-1:2006, EN 61326-2-1:2006.

**CE usaglašenost**

Ovaj instrument ispunjava zahteve Direktive Evropskog saveta o elektromagnetnoj usklađenosti 2004/108/EC preko sledećih standarda: EN 61326-1:2006, EN 61326-2-1:2006.

**Соответствие требованиям Евросоюза (CE)**

Настоящий прибор соответствует требованиям по электромагнитной совместимости 2004/108/ЕС Директивы Европейского Союза с применением следующих стандартов: EN 61326-1:2006, EN 61326-2-1:2006.

**CE Uygunluğu**

Bu cihaz, aşağıdaki standartları kullanan Avrupa Konseyi Elektromanyetik Uyumluluk Direktifi 2004/108/EC ile uyumludur: EN 61326-1:2006, EN 61326-2-1:2006.







**What is covered**

RIDGID® tools are warranted to be free of defects in workmanship and material.

**How long coverage lasts**

This warranty lasts for the lifetime of the RIDGID® tool. Warranty coverage ends when the product becomes unusable for reasons other than defects in workmanship or material.

**How you can get service**

To obtain the benefit of this warranty, deliver via prepaid transportation the complete product to RIDGE TOOL COMPANY, Elyria, Ohio, or any authorized RIDGID® INDEPENDENT SERVICE CENTER. Pipe wrenches and other hand tools should be returned to the place of purchase.

**What we will do to correct problems**

Warranted products will be repaired or replaced, at RIDGE TOOL'S option, and returned at no charge; or, if after three attempts to repair or replace during the warranty period the product is still defective, you can elect to receive a full refund of your purchase price.

**What is not covered**

Failures due to misuse, abuse or normal wear and tear are not covered by this warranty. RIDGE TOOL shall not be responsible for any incidental or consequential damages.

**How local law relates to the warranty**

Some states do not allow the exclusion or limitation of incidental or consequential damages, so the above limitation or exclusion may not apply to you. This warranty gives you specific rights, and you may also have other rights, which vary, from state to state, province to province, or country to country.

**No other express warranty applies**

This FULL LIFETIME WARRANTY is the sole and exclusive warranty for RIDGID® products. No employee, agent, dealer, or other person is authorized to alter this warranty or make any other warranty on behalf of the RIDGE TOOL COMPANY.



Parts are available online at [RIDGIDParts.com](http://RIDGIDParts.com)

**Ridge Tool Company**

400 Clark Street

Elyria, Ohio 44035-6001

We  
Build  
Reputations™

**RIDGID**

**Ce qui est couvert**

Les outils RIDGID® sont garantis contre tout défaut de fabrication ou de matériel.

**Durée de la garantie**

Cet outil RIDGID® est garanti pour toute la durée de vie du produit. La garantie prend fin lorsque le produit devient inutilisable pour des raisons autres que les défauts de fabrication ou de matériel.

**Comment procéder pour bénéficier de la garantie ?**

Pour bénéficier de cette garantie, renvoyez le produit complet en port payé à RIDGE TOOL COMPANY, Elyria, Ohio ou à un CENTRE DE SERVICE INDEPENDANT RIDGID® agréé. Les clés serre-tubes et autres outillages à main doivent être renvoyés à votre distributeur.

**Les solutions que nous offrons**

Les produits sous garantie sont réparés ou remplacés, au choix de RIDGE TOOL, et renvoyés gratuitement ; ou si après trois tentatives de réparation ou de remplacement pendant la période de garantie le produit est toujours défectueux, vous pouvez demander le remboursement complet de votre prix d'achat.

**Ce qui n'est pas couvert**

Les pannes dues à une mauvaise utilisation, à un emploi abusif ou à l'usure normale du produit ne sont pas couverts par la présente garantie. RIDGE TOOL ne se porte pas garant pour les dommages causés indirectement ou par accident.

**Législation nationale affectant la garantie**

Certains états n'autorisent pas l'exclusion ou la restriction touchant les dommages causés indirectement ou par accident. Il se peut que la restriction ou l'exclusion citée ci-dessus ne vous concerne pas. Cette garantie confère des droits spécifiques et d'autres droits peuvent s'appliquer, lesquels varient d'un état à l'autre, d'une province à l'autre ou d'un pays à l'autre.

**Absence d'autres garanties expresses**

Cette GARANTIE A VIE est la seule et unique s'appliquant aux produits RIDGID®. Aucun employé, agent ou distributeur, ni aucune autre personne n'est autorisé à la modifier ou à créer une autre garantie au nom de RIDGE TOOL COMPANY.

**Cobertura de la garantía**

La garantía RIDGID® cubre los defectos de mano de obra y material de sus herramientas.

**Duración de larga cobertura**

Esta garantía se extiende a toda la vida útil de las herramientas RIDGID®. La garantía finaliza en el momento en que el producto deja de ser utilizable por razones distintas a defectos de mano de obra o material.

**Modo de obtención de servicio**

Para beneficiarse de esta garantía, el usuario deberá enviar el producto en su totalidad con franqueo pagado a RIDGE TOOL COMPANY, Elyria, Ohio, o cualquier CENTRO DE SERVICIO AUTORIZADO INDEPENDIENTE RIDGID®. Las llaves de tuberías y demás herramientas manuales deben ser devueltas a su lugar de adquisición.

**Solución de problemas**

Los productos en garantía serán reparados o sustituidos por cuenta de RIDGE TOOL y devueltos sin cargo alguno. Si, después de tres reparaciones o sustituciones dentro del período de garantía, el producto siguiera defectuoso, el usuario podrá optar por la devolución del importe de la compra.

**Aspectos no cubiertos en la garantía**

Esta garantía no cubre los fallos debidos al mal uso o al desgaste y deterioro normales. RIDGE TOOL no se responsabiliza de los daños o perjuicios fortuitos o imprevistos.

**Aplicación de las leyes y normativas locales a la garantía**

Algunos países no permiten la exclusión o limitación de los daños o perjuicios fortuitos o imprevistos, por lo que las limitaciones o exclusiones aquí mencionadas podrían no ser de aplicación en su caso. Esta garantía le otorga derechos específicos, aparte de los que usted pueda tener y que pueden variar según el país, región o provincia.

**Exclusividad de la garantía aplicable**

Esta GARANTÍA TOTAL es la única y exclusiva garantía aplicable a los productos RIDGID®. Ningún empleado, agente, distribuidor o demás personas están autorizados a modificar esta garantía o aplicar ninguna otra en nombre de RIDGE TOOL COMPANY.



**EMERSON**  
Professional Tools

EMERSON. CONSIDER IT SOLVED.